

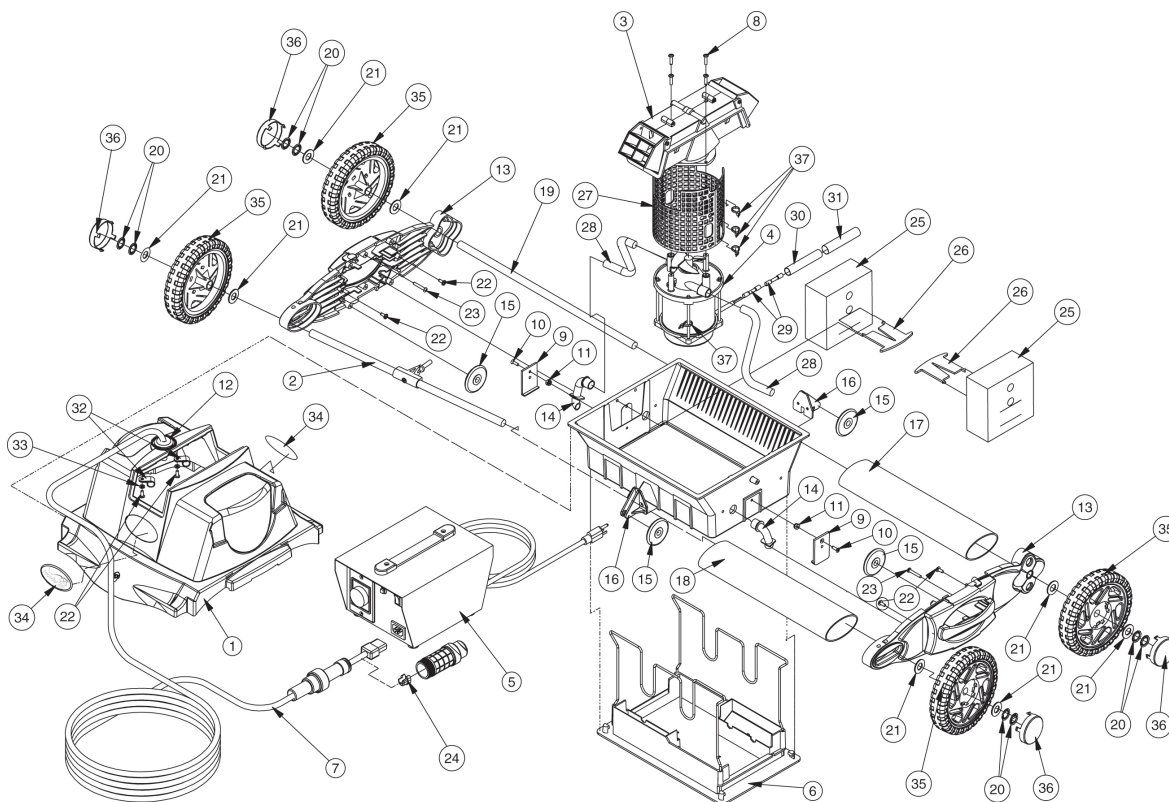


Automatic Pool Cleaner Parts

Replacement Parts for
Automatic Pool Cleaners

Kreepy Krauly Prowler® 710

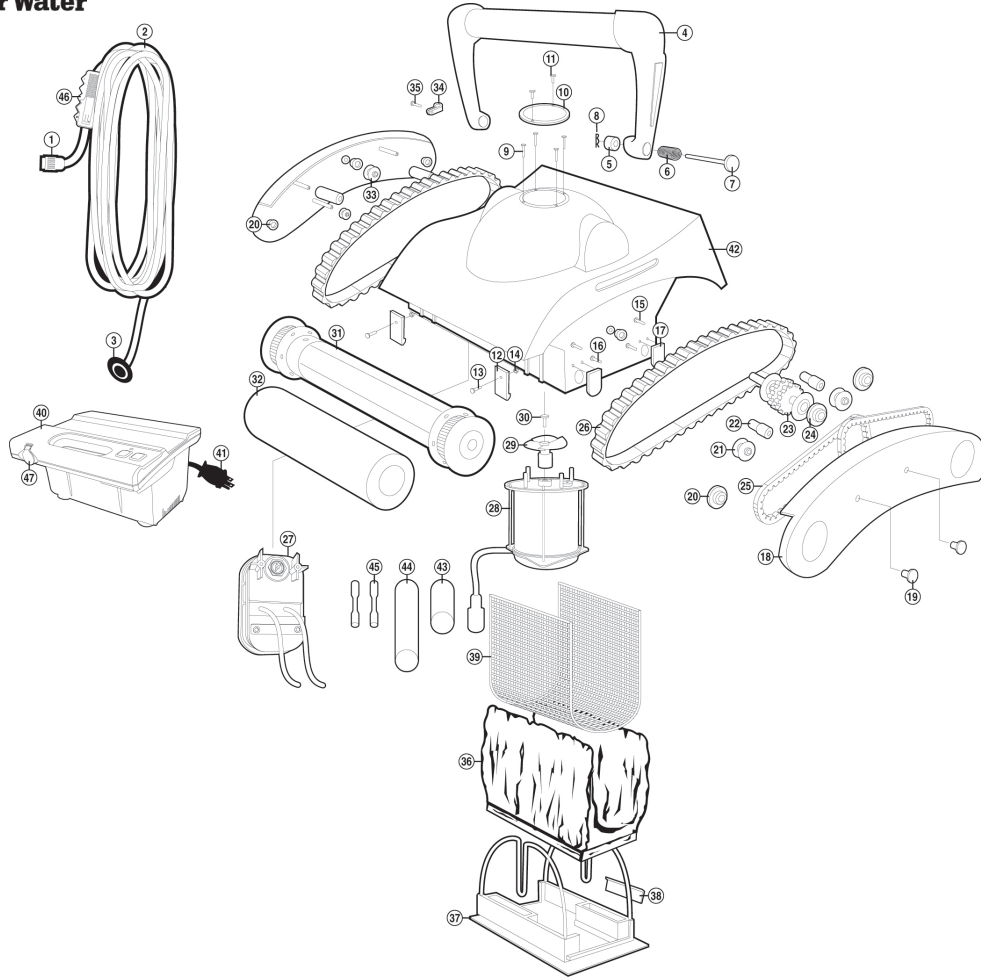
Replacement Parts



Item	Part No.	Description	US List	Can. List
PROWLER 710 REPLACEMENT PARTS				
3	PI2144	Valve Housing Assy.	CALL	CALL
4	PI2141	Pump Motor Assy.	CALL	CALL
5	PI2142	Power Supply	CALL	CALL
7	PI2143	Cable Assy., 2 Wire - 51 Ft., Floating 18 Awg	CALL	CALL
8	PI2143	Screw 8 X 11-16 Phil Pan Type	CALL	CALL
9	PI2149	Lock Tab Finger-roll	CALL	CALL
13	PI2151	Side Plate With Jet Bracket Option	CALL	CALL
20	PI2148	Clip, S.S. Retaining Star	CALL	CALL
25	PI2145	Foam, Aj, Tj, Pr	CALL	CALL
27	PI2146	Filter Screen, Jet Units (Complete)	CALL	CALL
28	PI2147	Tubing, Vinyl Clear 5-16 Id X 1-2 Od X 1 Ft.	CALL	CALL
29	PI2125	Butt Connector, #sb16-14	CALL	CALL
31	PI2150	Heat Shrink Tubing Black, 4 Inch	CALL	CALL
NOT SHOWN				
	PI2139	Mesh Filter Bag	CALL	CALL
	PI2140	Fine Filter Bag	CALL	CALL

Kreepy Krauly Prowler® 720

Replacement Parts

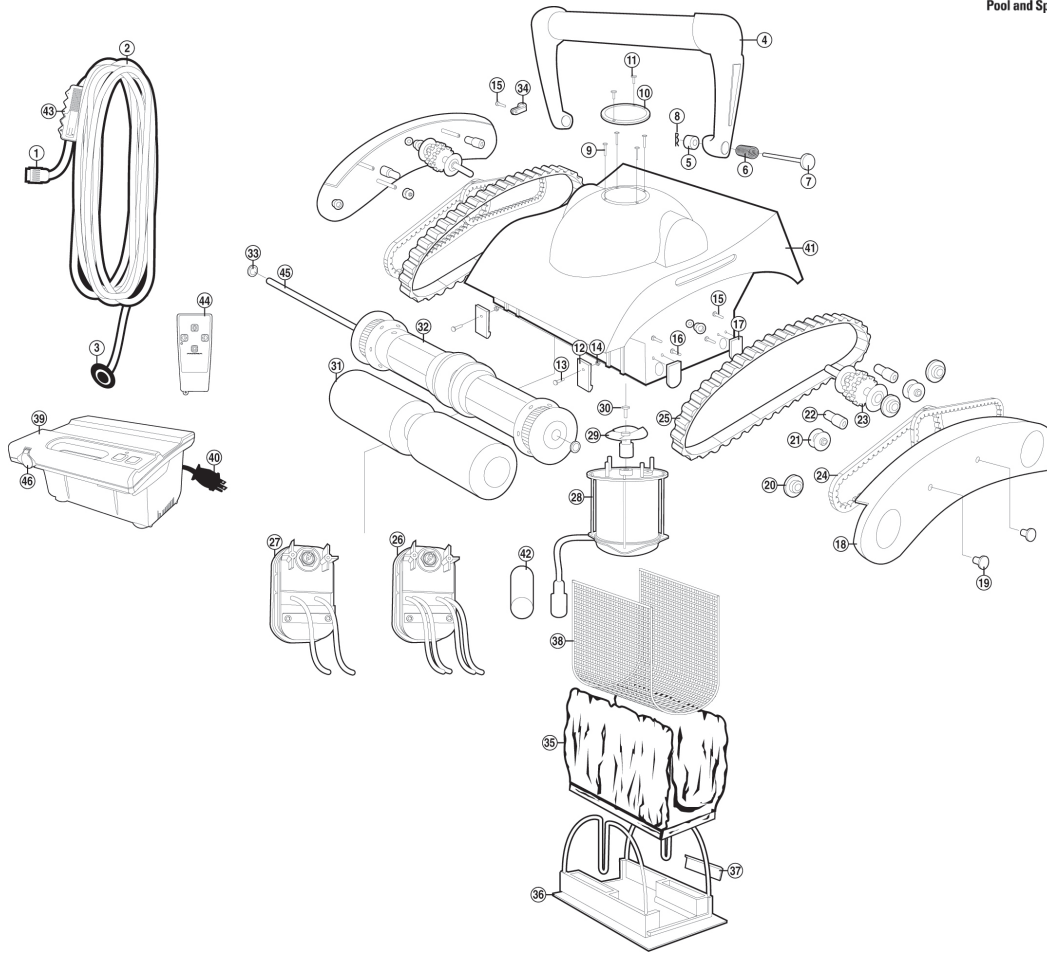


Item	Part No.	Description	US List	Can. List
PROWLER 720 REPLACEMENT PARTS				
1	PI2100	4 Pin Plug	CALL	CALL
2	PI2101	Cable Assy.	CALL	CALL
4	PI2102	Handle Assy.	CALL	CALL
6	PI2103	Spring	CALL	CALL
12	PI2104	Lock Tab	CALL	CALL
14	PI2105	Nut	CALL	CALL
15	PI2106	Screw	CALL	CALL
16	PI2107	Screw	CALL	CALL
18	PI2108	Side Plate	CALL	CALL
19	PI2122	Trim Panel	CALL	CALL
20	PI2109	Bushing	CALL	CALL
22	PI2133	Sleeve Roller	CALL	CALL
23	PI2110	Pulley Assy.	CALL	CALL
25	PI2111	Drive Belt	16.35	18.31
26	PI2112	Drive Track	35.82	40.12
27	PI2113	Drive Motor (1 Hr.) - Incl. #44 & 45	712.60	798.11

Item	Part No.	Description	US List	Can. List
28	PI2114	Pump Motor - Incl. #43	496.13	555.67
31	PI2116	Wheel Tube Assy. - Hex	116.53	130.51
32	PI2117	PVA Brush	61.64	69.04
35	PI2106	Screw (P-clip)	1.91	2.14
36	PI2118	Filter Bag	73.85	82.71
37	PI2119	Bottom Lid Assy.	164.50	184.24
39	PI2120	Filter Screen	52.01	58.25
40	PI2121	Power Supply Assy. (1 Hr.)	466.11	522.04
42	PI2115	Body Assy. - Incl. # 14	251.16	281.30
43	PI2123	Shrink Tube - 1 Meter	46.23	51.78
44	PI2124	Shrink Tube - 1 Meter	53.94	60.41
45	PI2125	Butt Connector	1.91	2.14
NOT SHOWN				
	PI2160	Caddy - Prowler 720/730	228.43	255.84

Kreepy Krauly Prowler® 730

Replacement Parts

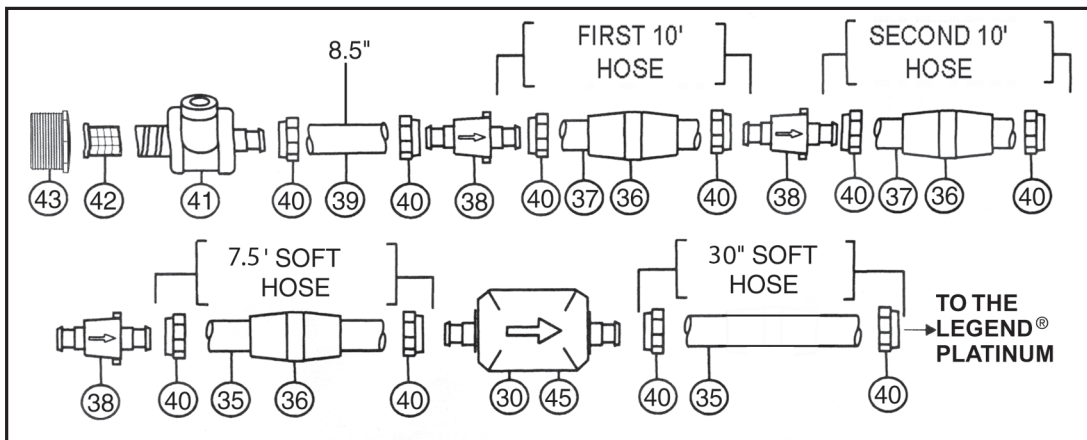
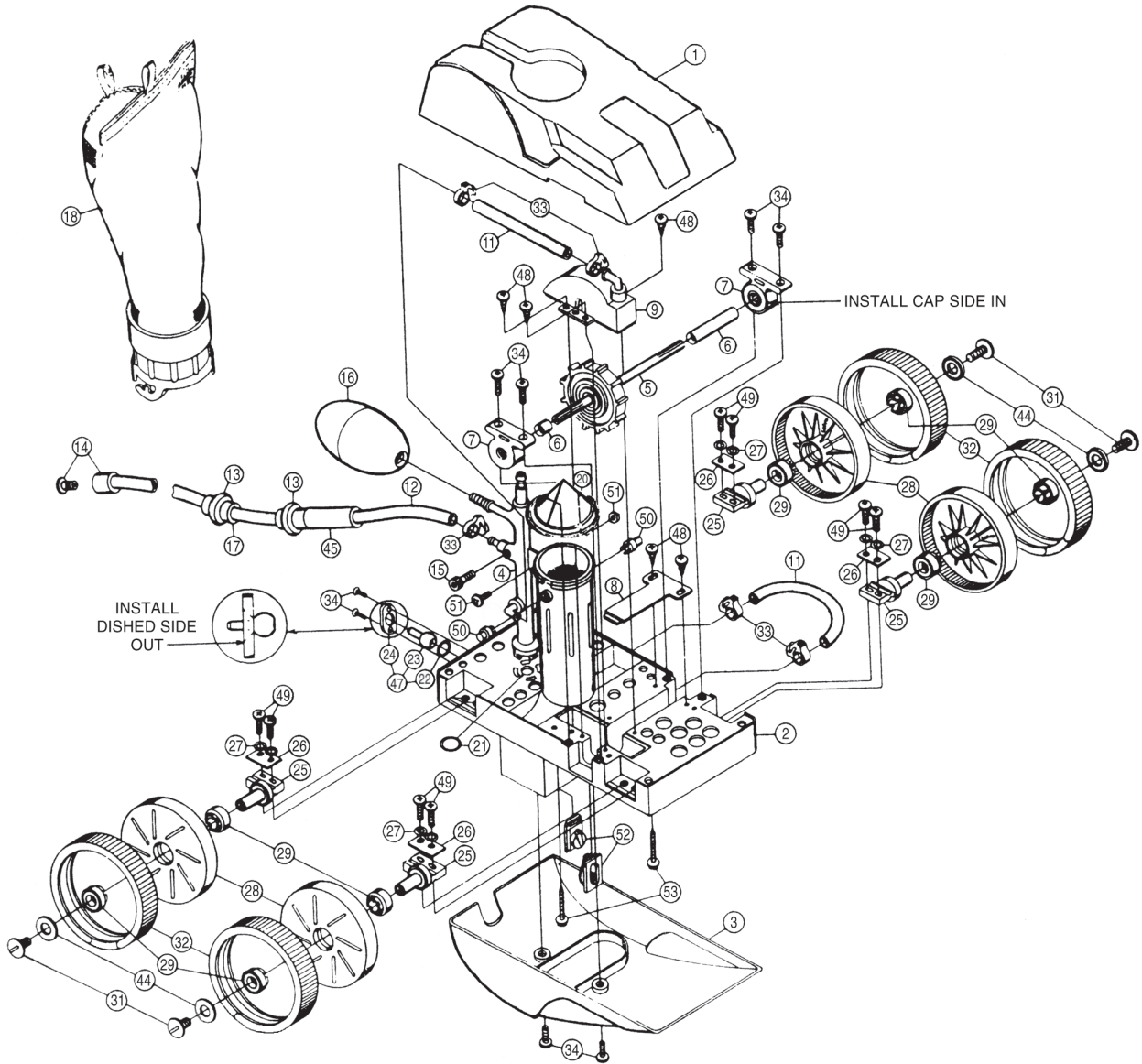


Item	Part No.	Description	US List	Can. List
PROWLER 730 REPLACEMENT PARTS				
1	PI2100	4 Pin Plug	CALL	CALL
2	PI2101	Cable Assy.	CALL	CALL
4	PI2102	Handle Assy.	CALL	CALL
6	PI2103	Spring	CALL	CALL
12	PI2104	Lock Tab	CALL	CALL
14	PI2105	Nut	CALL	CALL
15	PI2106	Screw	CALL	CALL
16	PI2107	Screw	1.91	2.14
18	PI2108	Side Plate	CALL	CALL
19	PI2122	Trim Panel	CALL	CALL
20	PI2109	Bushing	CALL	CALL
22	PI2133	Sleeve Roller	CALL	CALL
23	PI2110	Pulley Assy.	CALL	CALL
24	PI2111	Drive Belts	16.35	18.31
25	PI2112	Drive Track	35.82	40.12
26	PI2127	Drive Motor Master - Incl. #42	914.82	1024.60

Item	Part No.	Description	US List	Can. List
27	PI2129	Drive Motor Slave - Incl. #42	772.80	865.54
28	PI2128	Pump Motor - Incl. #42	515.20	577.02
31	PI2132	PVA Brush	76.40	85.57
32	PI2131	Wheel Tube Assy. Hex	70.89	79.40
35	PI2118	Filter Bag	73.85	82.71
36	PI2119	Bottom Lid Assy	164.50	184.24
38	PI2120	Filter Screen	52.01	58.25
39	PI2134	Power Supply Assy. 1 Hr	824.32	923.24
41	PI2130	Body Assy. - Incl. # 14	251.16	281.30
42	PI2123	Shrink Tube 1 Meter	46.23	51.78
44	PI2137	Remote Control	241.70	270.70
45	PI2138	Axle For Wheel Tube Assy.	26.98	30.22
NOT SHOWN				
	PI2160	Caddy - Prowler 720/730	228.43	255.84

Legend® 4-Wheel - LLI05

Replacement Parts



Legend® 4-Wheel - LLI05 (Cont'd)

Replacement Parts

Item	Part No.	Qty.	Description	US List	Can. List
LEGEND 4 WHEEL REPLACEMENT PARTS					
1	LLU5NG		Top Cover - Gray	72.18	80.84
2	LLUI45N		Main Frame	1125.12	1260.13
3	EU10N		Bottom Cover - White	57.34	64.22
4*	LLU6		Feed Mast w/O-Ring	40.05	44.86
5	EC86		Turbine Drive Shaft - Complete	31.27	35.02
6	EC83	1	Turbine Spacers - Set, 1 long, 1 short	2.24	2.51
7	EC80	2	Turbine Bearings	30.61	34.28
8	EA40		Turbine Shaft Shield	6.90	7.73
9	EC110		Turbine Cover w/Elbow	11.43	12.80
11	EC120		Hose - 7-3/4 in. length	1.63	1.83
12*	EB5L		Sweep Hose - Complete	30.48	34.14
13	EB10	5	Sweep Hose - Wear Ring	10.74	12.03
14	EB25		Sweep Hose - Jet w/Collar	3.23	3.62
15*	EB20	2	Sweep Hose - Adjustment Screw - White ¹	2.63	2.95
15	370198	2	Sweep Hose - Adjustment Screw - SS ²	2.47	2.77
16	EA20		Ballast Float (White)	5.09	5.70
17	EH07	4	Sweep Hose - Hose Sleeve	4.19	4.69
18	360002		Debris Bag with Snaplock	43.96	49.24
18*	EU15		Coarse Mesh Bag (Optional)	43.31	48.51
18*	EU16		Fine Mesh Bag	CALL	CALL
20	EU9		Debris Valve	3.17	3.55
21	EU7		O-Ring for Feed Mast	1.38	1.55
22	E18		O-Ring for Thrust Jet	2.36	2.64
23	EC130	2	Thrust Jet	10.81	12.11
24	EC135	2	Thrust Jet - Plate	4.61	5.16
25	EC65		Axle - Large Wheels	4.30	4.82
26	EC70	2	Axle Plate	1.73	1.94
27	EC45	5	Axle - Lock Washer	2.80	3.14
28*	EC6L		Wheel w/out Bearings	13.62	15.25
29*	EC60	2	Wheel Bearings Only	16.90	18.93
30*	E10		Back-Up Valve	83.69	93.73
31*	EC55	5	Wheel Screw - Plastic	8.56	9.59
32*	LLC1		Wheel - Rubber Tire	10.95	12.26
32	360007		Wheel - Rubber Tire	10.98	12.30
33	EB15	2	Hose Clamp	2.40	2.69
34	EC40	10	Screw	2.60	2.91
35*	ED50		Feed Hose - clear soft - 7 ft.-8 in.	36.66	41.06
36*	EDI0P		Float - Feed Hose	5.92	6.63
37*	ED45		Feet Hose - White - 11 ft.-2 in.	35.29	39.52
38	ED05		Swivel - Feed Hose	13.02	14.58
39	LLUI		Adapter Hose - White - 8-1/2 in.	4.61	5.16
40*	ED15	2	Mender Nut - plastic - feed hose	6.80	7.62
41	EW22		Wall Fitting - Complete	31.20	34.94
41	E25		Pressure Relief Valve for Wall Fitting	12.24	13.71
42	E24		Screen - Wall Fitting	8.49	9.51
43	E23		Quick Disconnect Adapter	4.12	4.61
44	EC64	2	Wheel - Plastic Washer	5.05	5.66
46*	EG15		Gears - for Back-Up Valve	71.46	80.04
47	EC131		Thrust Jet Repair Kit includes: E18, EC130, EC135	5.57	6.24
48	EA30	5	Screw for EA40 and EC110	1.91	2.14
49	EU76	2	Axle Bolt	2.75	3.08
50	EU147	2	Snap Fit Vac Tube Posts	5.08	5.69
51	EU79		Nut & Bolt - Feed Mast to Vac Tube	4.89	5.48
52	LLU8	2-	Venturi Jet	10.04	11.24

Item	Part No.	Qty.	Description	US List	Can. List
53	EU80	2	Screw - Cover to Frame	4.05	4.54
BACK-UP VALVE PARTS - E10 (#30 on schematic)					
	E11	1	Housing Body	44.30	49.62
	E12	1	Housing Top	24.53	27.47
	E13	1	O-Ring for Housing Body	1.38	1.55
	E14	1	O-Ring for Gear Assembly	1.38	1.55
	E15	1	Screw for Housing Body - 6-Pk	4.46	5.00
	EG15	1	Gears - for Back-Up Valve	71.46	80.04
WALL FITTING PARTS - EW22 (#41 on schematic) *					
	E21	1	O-Ring for Wall Fitting - 2-Pk	3.32	3.72
	E25	1	Pressure Relief Valve	12.24	13.71
	E24	1	Screen - Wall Fitting	8.49	9.51
	E23	1	Quick Disconnect Adapter	4.12	4.61
LEGEND TUNE-UP KIT - LL205N*					
	EU16	1	Fine Mesh Bag	CALL	CALL
	EU9	1	Debris Valve	3.17	3.55
	EC80	1	Turbine Bearings - 2-Pk	30.61	34.28
	EC60	4	Wheel Bearings - 2-Pk	16.90	18.93
	EC86	1	Turbine Shaft - Complete	31.27	35.02
	EB5L	1	Sweep Tail - Complete	30.48	34.14
	EC6L	2	Wheel (Large)	13.62	15.25
	LLC1	2	Tires (4-Wheel only)	10.95	12.26
LEGEND OVERHAUL KIT - LL206N *					
	LL206N		Kit includes	334.19	374.29
	EU16	1	Fine Mesh Bag	CALL	CALL
	EC86	1	Turbine Shaft Complete	31.27	35.02
	EC65	4	Axles	4.30	4.82
	EU9	1	Debris Valve	3.17	3.55
	EB5L	1	Sweep Hose w/Clamp	30.48	34.14
	EC80	1	Turbine Bearings - 2-Pk	30.61	34.28
	EC6L	4	Wheel (Large)	13.62	15.25
	LLC1	4	Tires (4-Wheel only)	10.95	12.26
	EC60	4	Bearings - 2-Pk	16.90	18.93
	EA20	1	Ballast Float (White)	5.09	5.70
LEGEND HOSE KIT - LL209 *					
	LL209		Kit includes	279.23	312.74
	D45	2	White Feed Hose 10 in.	31.21	34.96
	D50	1	Clear Feed Hose 10 in.	CALL	CALL
	EDI0P	10	Floats	5.92	6.63
	D05	3	Swivels	CALL	CALL
	E10	1	Back-Up Valve	83.69	93.73
	LLUI	1	Adaptor Hose - White 8-1/2 in.	4.61	5.16
	ED15	7	Mender Nuts	6.80	7.62
	EW22	1	Wall Fitting - Complete	31.20	34.94
	EB10	1	Wear Ring	10.74	12.03
NOT SHOWN					
	LLU82	2	Snap Fittings	5.08	5.69
	370017		Sweep Hose Scrubber	2.66	2.98
	JVP8		Pressure Stick w/o Gauge	26.05	29.18
	15060-0000T		Pressure Gauge	36.79	41.20
	EU13		Step Deflector	65.96	73.88

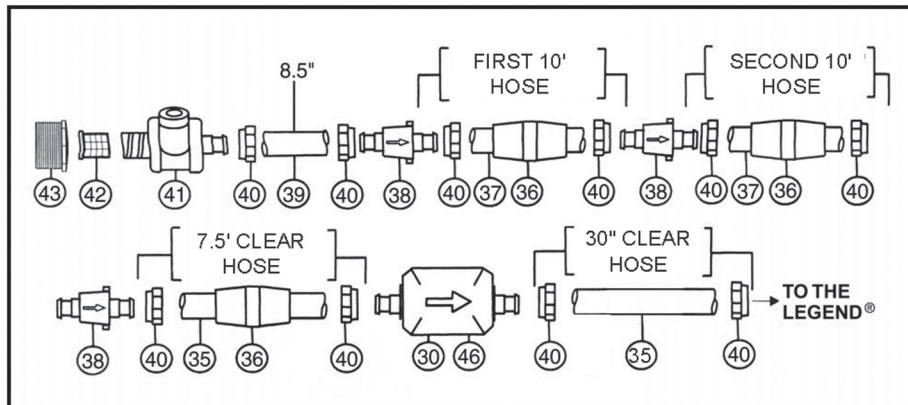
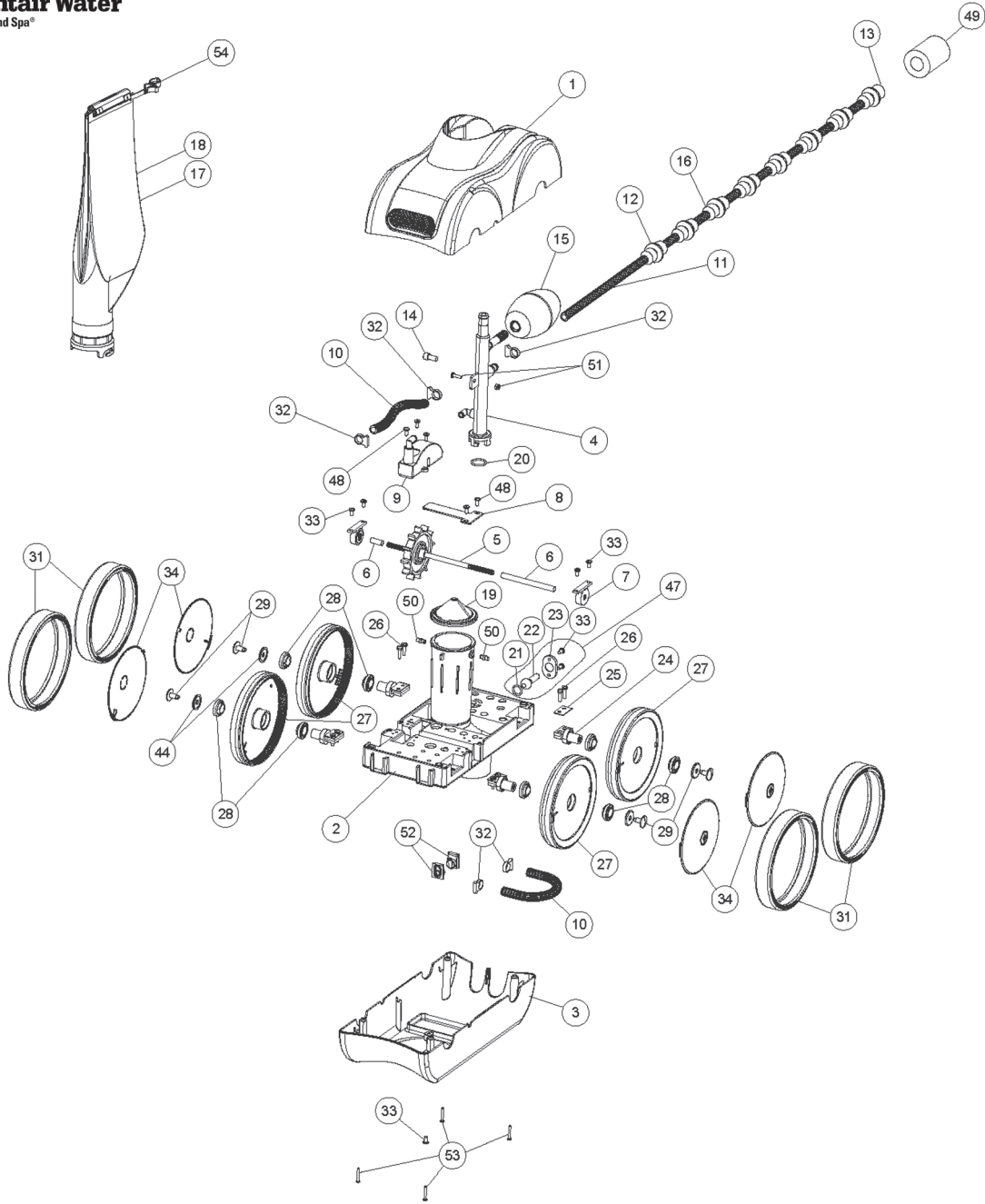
* Recommended for stock.

¹ For use on units manufactured before 8-01-05.

² For use on units manufactured after 8-01-05.

Kreepy Krauly® Legend®

LL505G and LL505GG Replacement Parts



Kreepy Krauly® Legend® (Cont'd)

LL505G and LL505GG Replacement Parts

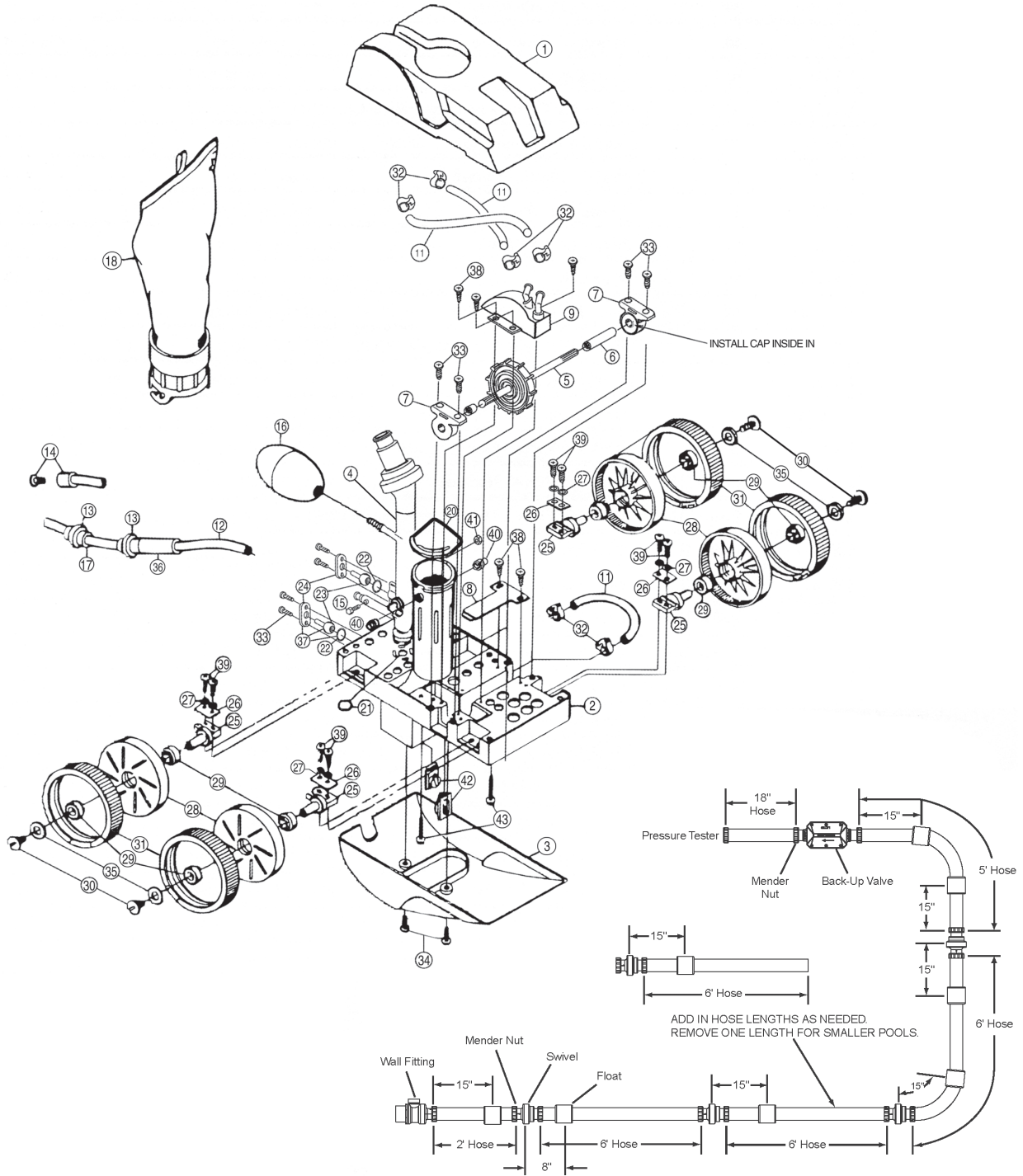


Item	Part No.	Qty.	Description	US List	Can. List
LEGEND 4 WHEEL REPLACEMENT PARTS					
1	360003	1	Top Cover	75.36	84.40
2	LLU145N	1	Main Frame	1125.12	1260.13
2	360010	1	Main Frame - Grey	887.11	993.56
3	360004	1	Bottom Cover	55.13	61.75
3	360011	1	Bottom Cover - Grey	55.14	61.76
4	LLU6	1	Feed Mast w/O-Ring - White	40.05	44.86
4	LLU6G	1	Feed Mast w/O-Ring - Grey	48.68	54.52
5	EC86	1	Turbine Drive Shaft - Complete	31.27	35.02
6	EC83	2	Turbine Spacers	2.24	2.51
7	EC80	2	Turbine Bearings	30.61	34.28
8	EA40	1	Turbine Shaft Shield	6.90	7.73
9	EC110	1	Turbine Cover w/Elbows	11.43	12.80
10	EC120	2	Turbine/Venturi Hose 7-3/4 in. length	1.63	1.83
10	LLC120G	2	Turbine/Venturi Hose 7-3/4 in. length - Grey	2.24	2.51
11	EB5L	1	Sweep Hose - Complete	30.48	34.14
11	LLB5G	1	Sweep Hose - Complete - Grey	44.98	50.38
12	EB10	9	Sweep Hose - Wear Ring	10.74	12.03
13	EB25	1	Sweep Hose - Jet w/Collar	3.23	3.62
13	LLB25PM	1	Sweep Hose - Jet w/Collar - Grey	6.67	7.47
14	370198	1	Sweep Hose - Adjustment Screw	2.47	2.77
15	EA20	1	Ballast Float	5.09	5.70
15	LLA20G	1	Ballast Float - Grey	7.39	8.28
16	EH07	1	Sweep Hose - Hose Sleeve	4.19	4.69
16	LLH07PM	4	Sweep Hose - Hose Sleeve - Grey	5.69	6.37
17	EU15	1	Coarse Mesh Bag (Optional - not shown)	43.31	48.51
17	EU15G	1	Coarse Mesh Bag - Grey Collar (Optional - not shown)	44.05	49.34
18	360002	1	Fine Mesh Bag - Mechanical Lock	43.96	49.24
18	360009	1	Fine Mesh Bag - Grey - Mechanical Lock	43.97	49.25
18	EU16	1	Fine Mesh Bag - Velcro Brand Fastener	CALL	CALL
18	EU16G	1	Fine Mesh Bag - Velcro Brand Fastener - Grey	CALL	CALL
19	EU9	1	Debris Valve	3.17	3.55
20	EU7	1	O-Ring for Feed Mast	1.38	1.55
21	E18	1	O-Ring for Thrust Jet	2.36	2.64
22	EC130	1	Thrust Jet	10.81	12.11
23	EC135	1	Thrust Jet - Plate	4.61	5.16
23	LLC135G	1	Thrust Jet - Plate - Grey	9.73	10.90
24	EC65	4	Axle - Large Wheels	4.30	4.82
25	EC70	4	Axle Plate	1.73	1.94
26	370258Z	8	Axle Screw w/Lock Washer	4.21	4.72
27	360006	4	Wheel w/Out Bearings	13.35	14.95
28	EC60	8	Wheel Bearings - Only	16.90	18.93
29	EC55	4	Wheel Screw Plastic	8.56	9.59
29	LLC55PM	4	Wheel Screw Plastic - Grey	9.27	10.38
30	E10	1	Back-up Valve	83.69	93.73
30	LL10PM	1	Back-up Valve - Grey	114.05	127.74
31	360007	4	Wheel - Rubber Tire	10.98	12.30
31	360012	4	Wheel - Grey Tire	10.97	12.29

Item	Part No.	Qty.	Description	US List	Can. List
32	EB15	5	Hose Clamp	2.40	2.69
33	EC40	7	Screw	2.60	2.91
34	360005	4	Hub Cap	3.92	4.39
34	360013	4	Hub Cap - Grey	3.92	4.39
35	LLD50	1	Feed Hose - Soft - 10 ft.	CALL	CALL
35	LLD50PM	1	Feed Hose - Grey Soft - 10 ft.	45.16	50.58
36	EDI0P	10	Float - Feed Hose	5.92	6.63
36	LLD10PM	10	Float - Feed Hose - Grey	7.52	8.42
37	LLD45	2	Feed Hose - White - 10 ft.	CALL	CALL
37	LLD45PM	2	Feed Hose - Grey - 10 ft.	33.23	37.22
38	ED05	2	Swivel - Feed Hose	13.02	14.58
38	LLD05PM	2	Swivel - Feed Hose - Grey	19.00	21.28
39	LLU1	1	Adapter Hose - White 8-1/2 in.	4.61	5.16
39	LLU1PM	1	Adapter Hose - White 8-1/2 in. - Grey	5.15	5.77
40	ED15	8	Mender Nut - Plastic - Feed Hose	6.80	7.62
40	LLD15PM	8	Mender Nut - Plastic - Feed Hose - Grey	4.31	4.83
41	EW22	1	Wall Fitting	31.20	34.94
41	LLW22PM	1	Wall Fitting - Grey	43.15	48.33
41	E25	1	Pressure Relief Valve - White	12.24	13.71
41	LL25PM	1	Pressure Relief Valve - Grey	12.67	14.19
42	E24	1	Screen - Wall Fitting	8.49	9.51
43	E23	1	Quick Disconnect Adapter	4.12	4.61
43	LL23PM	1	Quick Disconnect Adapter - Grey	8.14	9.12
44	EC64	4	Wheel - Plastic Washer	5.05	5.66
-	EH09C	1	Sweep Hose Weight (Optional - not shown)	13.34	14.94
46	EG15	1	Gears - for Back-Up Valve	71.46	80.04
47	EC131	1	Thrust Jet Repair Kit - Includes: EC130, EC135 and E18	5.57	6.24
47	360014	1	Thrust Jet Repair Kit - Includes: EC130, LLC135 and E19	21.37	23.93
48	EA30	5	Screw for EA40 and EC110	1.91	2.14
49	370017	1	Sweep Hose - Scrubber	2.66	2.98
50	EU147	2	Snap Fit Vac Tube Posts	5.08	5.69
50	LLU147G	2	Snap Fit Vac Tube Posts - Grey	5.45	6.10
51	EU79	1	Nut & Bolt - Feed Mast to Vac Tube	4.89	5.48
52	LLU8	2	Venturi Jets	10.04	11.24
52	LLU8G	2	Venturi Jets - Grey	12.28	13.75
53	EU80	4	Screw - Top and Bottom Cover	4.05	4.54
54	360008	1	Clip Hose - for 360002	6.12	6.85
54	360015	1	Clip Hose - Grey - for 360000	6.11	6.84

ACCESSORIES					
	EH09C	1	Sweep Hose Weight (Optional)	13.34	14.94
	LL209	1	Legend Hose Kit	279.23	312.74
	370017		Sweep Hose Scrubber	2.59	2.90
	JVP8		Pressure Stick w/o Gauge	25.33	28.37
	15060-0000T		Pressure Gauge	36.79	41.20
	EU13		Step Deflector	64.13	71.83

Legend® II - LX 2000 Replacement Parts



Legend® II - LX 2000 (Cont'd)

Replacement Parts



Item	Part No.	Qty.	Description	US	Can. List List
LEGEND II - LX 2000 REPLACEMENT PARTS					
1	LXU5G		Top Cover - Gray	72.18	80.84
2	LXU145N		Main Frame (Legend II only)	CALL	CALL
3	EU10N		Bottom Cover	57.34	64.22
4*	LXU6		Feed Mast w/O-Ring & Swivel	43.03	48.19
5	EC86		Turbine Drive Shaft - Complete	31.27	35.02
6	EC83	1	Turbine Spacers - Set, 1 long, 1 short	2.24	2.51
7	EC80	2	Turbine Bearings	30.61	34.28
8	EA40		Turbine Shaft Shield	6.90	7.73
9	LXC110		Turbine Cover w/Elbows	20.02	22.42
11	EC120		Hose - 7-3/4 in.	1.63	1.83
12	EB5L		Sweep Hose - Complete	30.48	34.14
13	EB10	5	Sweep Hose - Wear Ring	10.74	12.03
14	EB25		Sweep Hose - Jet w/Collar	3.23	3.62
15	EB20	2	Sweep Hose - Adjustment Screw - White ¹	2.63	2.95
15	370198	2	Sweep Hose - Adjustment Screw - SS ²	2.47	2.77
16	EA20		Ballast Float - White	5.09	5.70
17	EH07	4	Sweep Hose - Hose Sleeve	4.19	4.69
18	360002		Debris Bag with Snaplock	43.96	49.24
18	EU15		Coarse Mesh Bag (Optional)	43.31	48.51
18	EU16		Fine Mesh Bag	CALL	CALL
20	EU9		Debris Valve	3.17	3.55
21	EU7		O-Ring for Feed Mast	1.38	1.55
22	E18		O-Ring for Thrust Jet	2.36	2.64
23	EC130	2	Thrust Jet	10.81	12.11
24	EC135	2	Thrust Jet - Plate	4.61	5.16
25	EC65		Axle - Large Wheels	4.30	4.82
26	EC70	2	Axle Plate	1.73	1.94
27	EC45	5	Axle - Lock Washer	2.80	3.14
28*	EC6L		Wheel w/out Bearings	13.62	15.25
29	EC60	2	Wheel Bearings Only	16.90	18.93
30	EC55	5	Wheel Screw - Plastic	8.56	9.59
31*	LXCI		Tire - Legend II	10.95	12.26
32	EB15	2	Hose Clamp	2.40	2.69
33	EC40	10	Screw for Turbine Bearings, Thrust Jet	2.60	2.91
34	EC40	10	Screw for Bottom Cover	2.60	2.91
35	EC64	2	Wheel - Plastic Washer	5.05	5.66
36	EH09C		Sweep Hose Weight (optional)	13.34	14.94
37	EC131		Thrust Jet Repair Kit, includes: E18, EC130, EC135	5.57	6.24
38	EA30	5	Screw for LXC110	1.91	2.14
39	EU76	2	Axle Bolt	2.75	3.08
40	EU147	2	Snap Fit Vac Tube Posts	5.08	5.69
41	EU79		Nut & Bolt - Feed Mast to Vac Tube	4.89	5.48
42	LXU8	2	Venturi Jet	17.59	19.70
43	EU80	2	Screw - Cover to Frame	4.05	4.54

Item	Part No.	Qty.	Description	US	Can. List List
H2*	LX10		Back Up Valve - Low Pressure	86.13	96.47
H2	LX11		Back Up Valve - Housing	44.30	49.62
H2	E12		Back Up Valve - Top Cover	24.53	27.47
inside H2	E13		Back Up Valve - Housing O-Ring	1.38	1.55
inside H2	E14		Back Up Valve - O-Ring Gear Assembly	1.38	1.55
H2	E15	6	Back Up Valve - Screw Housing Body	4.46	5.00
inside H2*	LX16		Back Up Valve - Gear Assembly	71.46	80.04
H3	LXD10		Feed Hose Float	5.27	5.90
H5	LX17		Feed Hose - 6 ft. Section	21.68	24.28
H4	LX18		Feed Hose - 2 ft. Section	9.54	10.68
H6	LX20	2	Feed Hose Mender w/O-Ring #0252	4.43	4.96
H7*	LX19		Feed Hose Swivel	18.17	20.35
H8*	LXW22		Wall Fitting - Complete	26.20	29.34
H8	E21	2	Wall Fitting O-ring	3.32	3.72
H8	E23		Wall Fitting Adapter	4.12	4.61
inside H8	E24		Wall Fitting Screen	8.49	9.51
inside H8	LX25		Wall Fitting - Pressure Relief Valve	12.28	13.75
H9	LX26		Pressure Tester	18.57	20.80

LEGEND II HOSE KIT - LX209*					
	LX209		Kit includes	415.41	465.26
	LX26	1	Pressure Tester	18.57	20.80
	LX18	1	2 ft. Hose Section	9.54	10.68
	LX20	12	Mender Nuts	4.43	4.96
	LX19	4	Swivels	18.17	20.35
	LX17	4	6 ft. Hose Section	21.68	24.28
	LXD10	7	Hose Floats	5.27	5.90
	LX10	1	Back-Up Valve	86.13	96.47
	LXW22	1	Wall Fitting - Complete	26.20	29.34

LEGEND II TUNE-UP KIT - LX205*					
	LX205		Kit includes	305.66	342.34
	EU16	1	Fine Mesh Bag	CALL	CALL
	EU9	1	Debris Valve	3.17	3.55
	EC80	1	Turbine Bearings - 2-Pk	30.61	34.28
	EC60	4	Wheel Bearings - 2-Pk	16.90	18.93
	EC86	1	Turbine Shaft - Complete	31.27	35.02
	EB5L	1	Sweep Tail - Complete	30.48	34.14
	EC6L	2	Wheel (Large)	13.62	15.25
NOT SHOWN					
	370017		Sweep Hose Scrubber	2.66	2.98

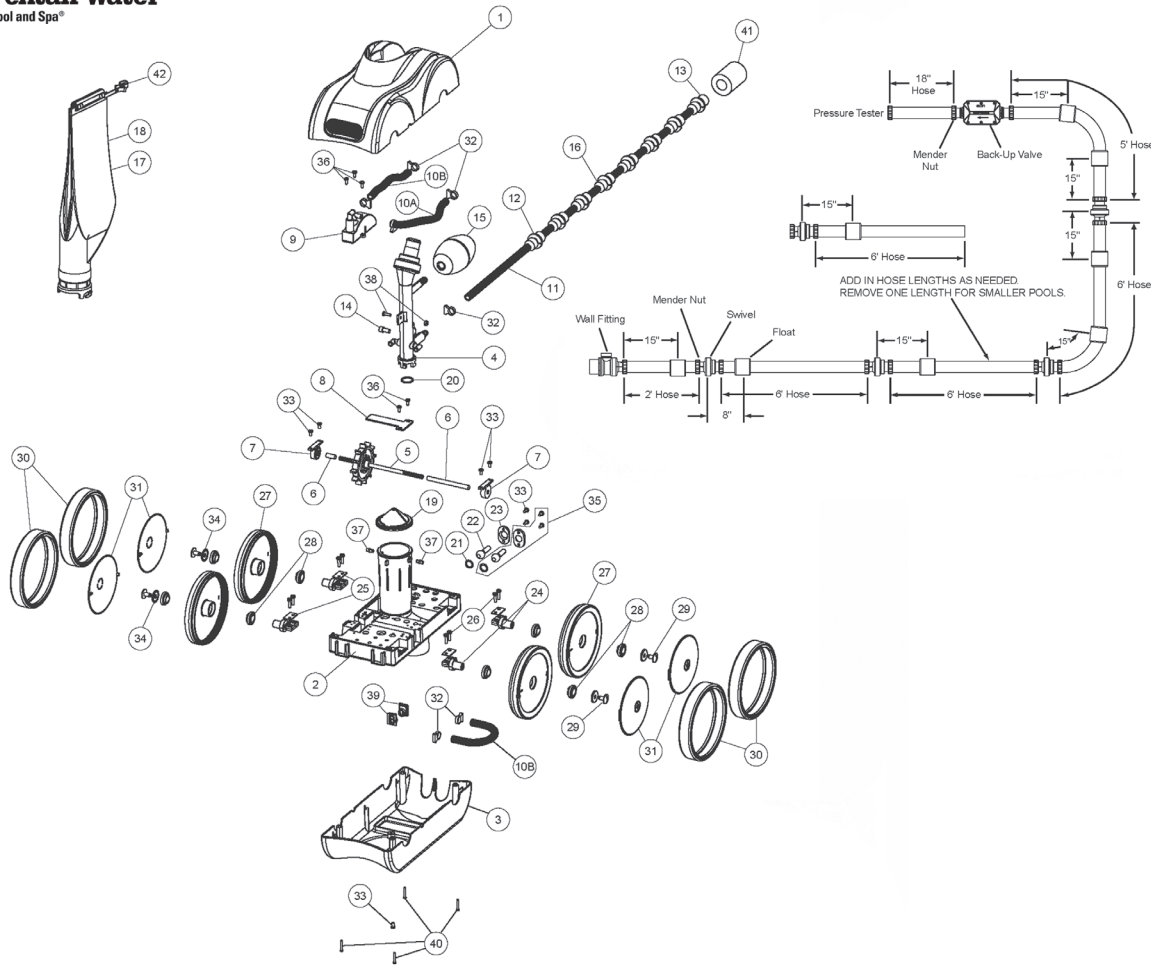
* Recommended for stock.

¹ For use on units manufactured before 8-01-05.

² For use on units manufactured before 8-01-05.

Kreepy Krauly® Legend® II

LX5000G and LX5000GG Replacement Parts



Item	Part No.	Qty.	Description	US List	Can. List
KREEPY KRAULY LEGEND II REPLACEMENT PARTS					
1	360003	1	Top Cover	75.36	84.40
2	LXUI45N	1	Main Frame	CALL	CALL
2	360016	1	Main Frame Grey	1116.91	1250.94
3	360004	1	Bottom Cover	55.13	61.75
3	360011	1	Bottom Cover Grey	55.14	61.76
4	LXU6	1	Feed Mast w/O-Ring & Swivel Grey	43.03	48.19
4	360017	1	Feed Mast w/O-Ring & Swivel	46.68	52.28
5	EC86	1	Turbine Drive Shaft - Complete	31.27	35.02
6	EC83	2	Turbine Spacers	2.24	2.51
7	EC80	2	Turbine Bearings	30.61	34.28
8	EA40	1	Turbine Shaft Shield	6.90	7.73
9	LXC110	1	Turbine Cover w/ Elbows	20.02	22.42
10A & B	EC120	2 & 1	Turbine/Venturi Hose 7-3/4 in. length	1.63	1.83
10A & B	LLC120G	2 & 1	Turbine/Venturi Hose 7-3/4 in. length - Grey	2.24	2.51

11	EB5L	1	Sweep Hose - Complete	30.48	34.14
11	LLB5G	1	Sweep Hose - Complete - Grey	44.98	50.38
12	EB10	9	Sweep Hose - Wear Ring	10.74	12.03
13	EB25	1	Sweep Hose - Jet w/ Collar	3.23	3.62
13	LLB25PM	1	Sweep Hose - Jet w/ Collar - Grey	6.67	7.47
14	370198	1	Sweep Hose Adjustment Screw	2.47	2.77
15	EA20	1	Ballast Float	5.09	5.70
15	LLA20G	1	Ballast Float - Grey	7.39	8.28
16	EH07	4	Sweep Hose - Hose Sleeve	4.19	4.69
16	LLH07PM	4	Sweep Hose - Hose Sleeve - Grey	5.69	6.37
17	EUI5	1	Coarse Mesh Bag (Optional - not shown)	43.31	48.51
17	EUI5G	1	Coarse Mesh Bag - Grey Collar (Optional - not shown)	44.05	49.34

Kreepy Krauly® Legend® II (Cont'd)

LX5000G and LX5000GG Replacement Parts



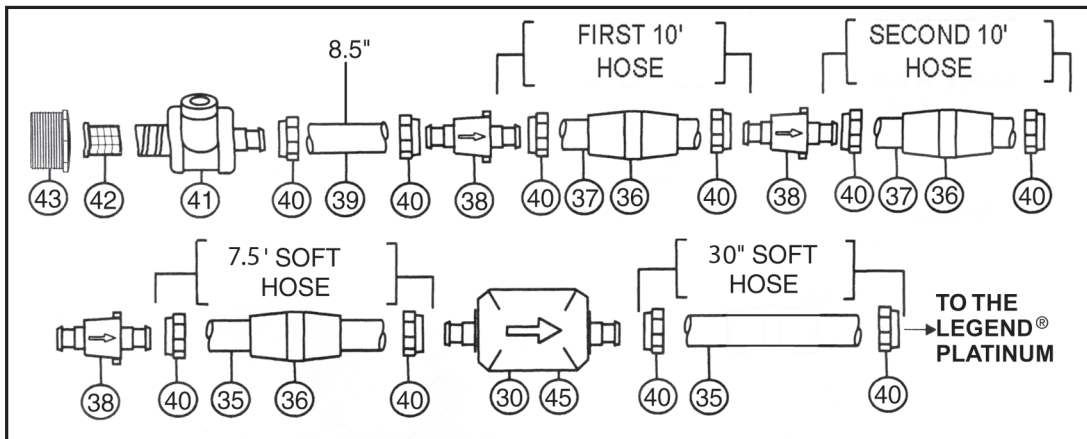
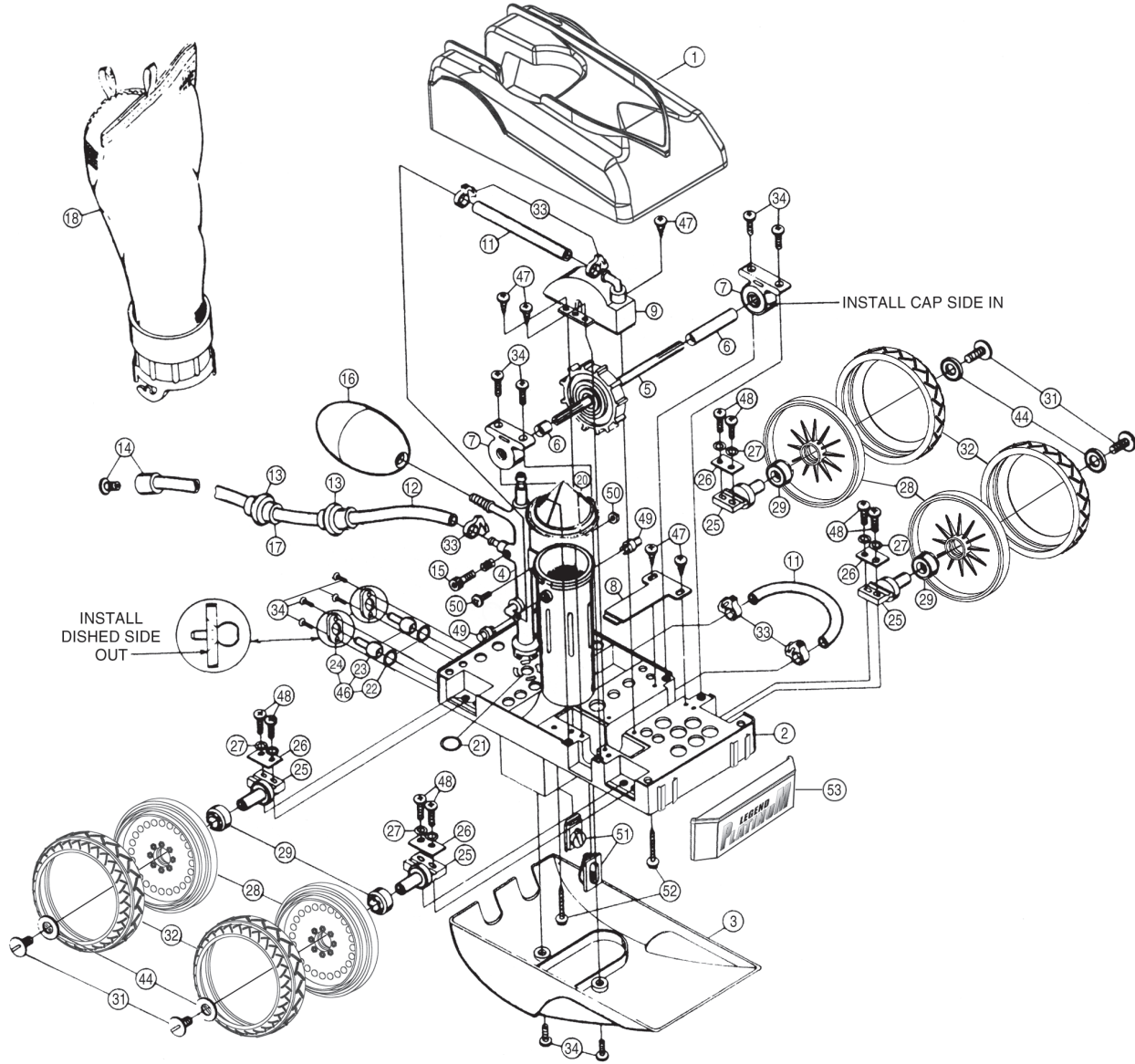
Item	Part No.	Qty.	Description	US List	Can. List
KREEPY KRAULY LEGEND II REPLACEMENT PARTS					
18	360002	1	Fine Mesh Bag - Mechanical Lock	43.96	49.24
18	360009	1	Fine Mesh Bag Grey - Mechanical Lock	43.97	49.25
18	EU16	1	Fine Mesh Bag - Velcro Brand Fastener	CALL	CALL
18	EU16G	1	Fine Mesh Bag - Velcro Brand Fastener - Grey	CALL	CALL
19	EU9	1	Debris Valve	3.17	3.55
20	EU7	1	O-ring for Feed Mast	1.38	1.55
21	E18	1	O-ring for Thrust Jet	2.36	2.64
22	EC130	1	Thrust Jet	10.81	12.11
23	EC135	1	Thrust Jet - Plate	4.61	5.16
23	LLC135G	1	Thrust Jet - Plate - Grey	9.73	10.90
24	EC65	4	Axle - Large Wheels	4.30	4.82
25	EC70	4	Axle Plate	1.73	1.94
26	370258Z	8	Axle Screw w/Lock Washer	4.21	4.72
27	360006	4	Wheel w/o Bearings	13.35	14.95
28	EC60	8	Wheel Bearings - Only	16.90	18.93
29	EC55	4	Wheel Screw - Plastic	8.56	9.59
29	LLC55PM	4	Wheel Screw - Plastic - Grey	9.27	10.38
30	360007	4	Wheel - Rubber Tire	10.98	12.30
30	360012	4	Wheel - Grey Tire	10.97	12.29
31	360005	4	Hub Cap	3.92	4.39
31	360013	4	Hub Cap - Grey	3.92	4.39
32	EB15	7	Hose Clamp	2.40	2.69
33	EC40	7	Screw	2.60	2.91
34	EC64	4	Wheel - Plastic Washer	5.05	5.66
35	EC131	1	Thrust Jet Repair Kit, includes: EC130, EC135 and E18	5.57	6.24
35	360014	1	Thrust Jet Repair Kit - Grey, includes: EC130, LLC135 and E19	21.37	23.93
36	EA30	5	Screw for EA40 and LXC110	1.91	2.14
37	EU147	2	Snap Fit Vac Tube Posts	5.08	5.69
37	LLU147G	2	Snap Fit Vac Tube Posts - Grey	5.45	6.10
38	EU79	1	Nut & Bolt - Feed Mast to Vac Tube	4.89	5.48
39	LXU8	2	Venturi Jets	17.59	19.70
40	EU80	4	Screw - Top and Bottom Cover	4.05	4.54
41	370017	1	Sweep Hose - Scrubber	2.66	2.98
-	EH09C	1	Sweep Hose Weight (Optional - not shown)	13.34	14.94
42	360008	1	Clip Hose for 360002	6.12	6.85
42	360015	1	Clip Hose - Grey - for 360009	6.11	6.84

Item	Part No.	Qty.	Description	US List	Can. List
LX10 REPLACEMENT PARTS					
H2	LX10	1	Back-Up Valve - Low Pressure	86.13	96.47
H2	360018	1	Back-Up Valve - Low Pressure - Grey	86.39	96.76
H2	E15	6	Back-Up Valve - Screw Housing Body	4.46	5.00
Inside H2	E13	1	Back-Up Valve - Housing O-Ring	1.38	1.55
Inside H2	E14	1	Back-Up Valve - O-Ring Gear Assembly	1.38	1.55
Inside H2	LX16	1	Back-Up Valve - Gear Assembly	71.46	80.04
H3	LXD10	7	Feed Hose Float - White	5.27	5.90
H3	360019	7	Feed Hose Float - Grey	13.47	15.09
H4	LX18	1	Feed Hose - White - 2 ft. Section	9.54	10.68
H4	360021	1	Feed Hose - Grey - 2 ft. Section	9.81	10.99
H5	LX17	4	Feed Hose - White - 6 ft. Section	21.68	24.28
H5	360020	4	Feed Hose - Grey - 6 ft. Section	27.23	30.50
H6	LX20	12	Feed Hose Mender - White w/O-ring #0252	4.43	4.96
H6	360022	12	Feed Hose Mender - Grey w/O-ring #0253	11.71	13.12
H7	LX19	4	Feed Hose Swivel - White	18.17	20.35
H7	360023	4	Feed Hose Swivel - Grey	43.62	48.85
H8	LXW22	1	Wall Fitting Complete - White	26.20	29.34
H8	360024	1	Wall Fitting Complete - Grey	31.57	35.36
Inside H8	E23	1	Wall Fitting Adapter - White	4.12	4.61
Inside H8	LL23PM	1	Wall Fitting Adapter - Grey	8.14	9.12
Inside H8	E21	2pk	Wall Fitting O-ring	3.32	3.72
Inside H8	E24	1	Wall Fitting Screen	8.49	9.51
Inside H8	LX25	1	Wall Fitting - Valve Assembly - White	12.28	13.75
Inside H8	360025	1	Wall Fitting - Valve Assembly - Grey	27.12	30.37
H9	LX26	1	Pressure Tester	18.57	20.80
ACCESSORIES					
	EH09C	1	Sweep Hose Weight (optional)	13.34	14.94
	LX509		Feed Hose Complete - Grey	454.92	509.51
	LX209		Feed hose Complete - White	415.41	465.26

Legend® Platinum - LLI05PM

Legend® Platinum Truck Series - LLI05PMT

Replacement Parts



Legend® Platinum - LLI05PM

Legend® Platinum Truck Series - LLI05PMT

Replacement Parts (Cont'd)

Item	Part No.	Qty.	Description	US List	Can. List
LEGEND PLATINUM REPLACEMENT PARTS					
1	LLU5PM		Top Cover - Grey	101.97	114.21
1 *	LLU5PMTY		Platinum Truck Series Top Cover only, Yellow	179.98	201.58
1 *	LLU5PMTR		Platinum Truck Series Top Cover only, Red	179.98	201.58
1 *	LLU5PMTG		Platinum Truck Series Top Cover only, Gray	179.98	201.58
1 *	LLU5PMTW		Platinum Truck Series Top Cover only, White	179.98	201.58
2	LLU145NPMG		Main Frame	887.12	993.57
2	LLU145NPM		Main Frame - White	887.12	993.57
3	EU10N		Bottom Cover - White	57.34	64.22
3	LLU10NG		Bottom Cover - Grey	57.34	64.22
4 *	LLU6		Feed Mast w/O-Ring - White	40.05	44.86
4 *	LLU6G		Feed Mast w/O-Ring - Grey	48.68	54.52
5	EC86		Turbine Drive Shaft - Complete	31.27	35.02
6	EC83	1	Turbine Spacers - Set, 1 long, 1 short	2.24	2.51
7	EC80	2	Turbine Bearings	30.61	34.28
8	EA40		Turbine Shaft Shield - White	6.90	7.73
9	EC110		Turbine Cover w/Elbow - White	11.43	12.80
11	EC120		Hose - 7-3/4 in. length - White	1.63	1.83
11	LLC120G		Hose - 7-3/4 in. length - Grey	2.24	2.51
12	EB5L		Sweep Hose - Complete - White	30.48	34.14
12 *	LLB5G		Sweep Hose - Complete - Grey	44.98	50.38
13	EB10	5	Sweep Hose - Wear Ring	10.74	12.03
14	EB25		Sweep Hose - Jet w/Collar - White	3.23	3.62
14	LLB25PM		Sweep Hose - Jet w/Collar - Grey	6.67	7.47
15	EB20	2	Sweep Hose - Adjustment Screw - White ¹	2.63	2.95
15	370198		Sweep Hose - Adjustment Screw - SS ²	2.47	2.77
16	EA20		Ballast Float - White	5.09	5.70
16	LLA20G		Ballast Float - Grey	7.39	8.28
17	EH07	4	Sweep Hose - Hose Sleeve - White	4.19	4.69
17	LLH07PM	4	Sweep Hose - Hose Sleeve - Grey	5.69	6.37
18	360002		Debris Bag with Snaplock	43.96	49.24
18	360009		Debris Bag with Snaplock - Grey	43.97	49.25
18	EU15		Coarse Mesh Bag - White Collar	43.31	48.51
18	EU15G		Coarse Mesh Bag - Grey Collar	44.05	49.34
18	EU16		Fine Mesh Bag - White Collar	CALL	CALL
18	EU16G		Fine Mesh Bag - Grey Collar	CALL	CALL
20	EU9		Debris Valve	3.17	3.55
21	EU7		O-Ring for Feed Mast	1.38	1.55
22	E18		O-Ring for Thrust Jet	2.36	2.64
23	LLC130PM	2	Thrust Jets - White	5.45	6.10
23	LLC130G	2	Thrust Jets - Grey	28.27	31.66
24	EC135	2	Thrust Jet Plates - White	4.61	5.16
24	LLC135G	2	Thrust Jet Plates - Grey	9.73	10.90
25	EC65		Axle - Large Wheels	4.30	4.82
26	EC70	2	Axle Plate	1.73	1.94
27	EC45	5	Axle - Lock Washer	2.80	3.14
28 *	LLC6PM		Wheel w/out Bearings - White	34.87	39.05
28	LLC6PMG		Wheel w/out Bearings - Grey	34.87	39.05
29	EC60	2	Wheel Bearings	16.90	18.93

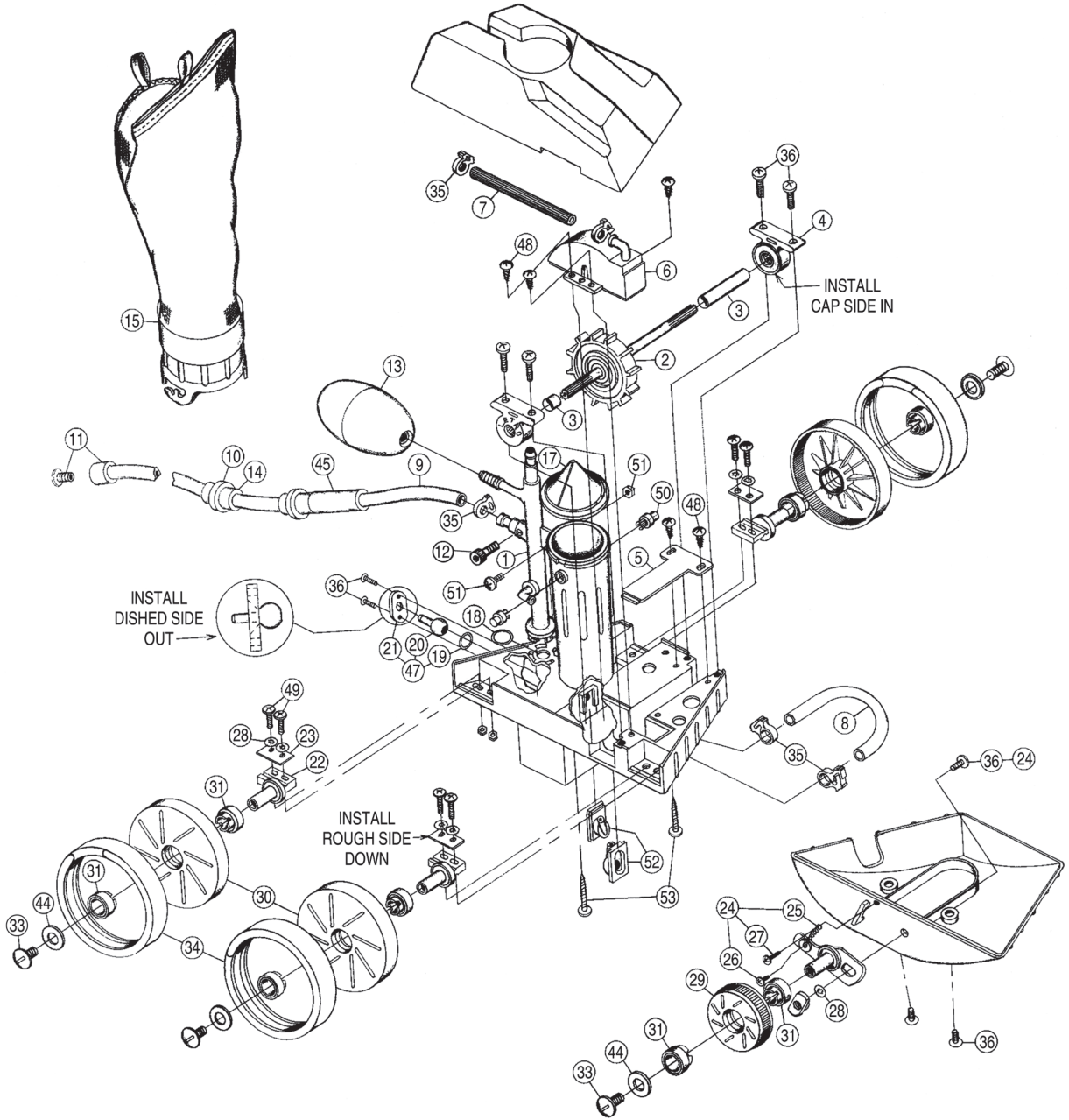
Item	Part No.	Qty.	Description	US List	Can. List
30	E10		Back-Up Valve - White	83.69	93.73
30 *	LLI0PM		Back-Up Valve - Grey	114.05	127.74
31	EC55	5	Wheel Screw - Plastic - White	8.56	9.59
31	LLC55PM	5	Wheel Screw - Plastic - Grey	9.27	10.38
32 *	LLC1PM		Tire - Platinum - White	22.32	25.00
32 *	LLC1PMG		Tire - Platinum - Grey	22.27	24.94
33	EB15	2	Hose Clamp	2.40	2.69
34	EC40	10	Screw	2.60	2.91
35	ED50		Feed Hose - Clear soft 7 ft.-8 in.	36.66	41.06
35 *	LLD50PM		Feed Hose - Grey soft 7 ft.-8 in.	45.16	50.58
36	ED10P		Float For Feed Hose - White	5.92	6.63
36 *	LLD10PM		Float For Feed Hose - Grey	7.52	8.42
37	ED45		Feed Hose - 11 ft.-2 in. - White	35.29	39.52
37 *	LLD45PM		Feed Hose - 11 ft.-2 in. - Grey	33.23	37.22
38	ED05		Swivel - Feed Hose - White	13.02	14.58
38 *	LLD05PM		Swivel - Feed Hose - Grey	19.00	21.28
39	LLU1		Adapter Hose 8-1/2 in. - White	4.61	5.16
39	LLU1PM		Adapter Hose 8-1/2 in. - Grey	5.15	5.77
40	ED15	2	Mender Nut - plastic - White	6.80	7.62
40 *	LLD15PM	2	Mender Nut - plastic - Grey	4.31	4.83
41 *	LLW22PM		Wall Fitting - Grey	43.15	48.33
41	EW22		Wall Fitting - White	31.20	34.94
41	LL25PM		Pressure Relief Valve - Grey	12.67	14.19
41	E25		Pressure Relief Valve - White	12.24	13.71
42	E24		Screen - Wall Fitting	8.49	9.51
43	LL23PM		Quick Disconnect Adapter - Grey	8.14	9.12
43	E23		Quick Disconnect Adapter - White	4.12	4.61
44	EC64	2	Wheel - Plastic Washer	5.05	5.66
45	EG15		Gears - for Back-Up Valve	71.46	80.04
46	EC131		Thrust Jet Repair Kit includes: (White) E18, EC130, EC135	5.57	6.24
46	LLC131G		Thrust Jet Repair Kit includes: (Grey) E18, EC130G, LLC135G	21.36	23.92
47	EA30	5	Screw for EA40 or LLA40G and EC110 or LLC110PM	1.91	2.14
48	EU76	2	Axle Bolt	2.75	3.08
49	EU147	2	Snap Fit Vac Tube Posts - White	5.08	5.69
49	LLU147G	2	Snap Fit Vac Tube Posts - Grey	5.45	6.10
50	EU79		Nut & Bolt - Feed Mast to Vac Tube	4.89	5.48
51	LLU8	2	Venturi Jet - White	10.04	11.24
51	LLU8G	2	Venturi Jet - Grey	12.28	13.75
52	EU80	2	Screw - Cover to Frame	4.05	4.54
53	LLU81PM		Front Bumper - White	20.79	23.28
53	LLU81PMG		Front Bumper - Grey	24.80	27.78
NOT SHOWN					
	370017		Sweep Hose Scrubber	2.66	2.98
	JVP8		Pressure Stick w/o Gauge	26.05	29.18
	I5060-0000T		Pressure Gauge for JVP8	36.79	41.20
	LL209		Complete Hose Kit, White	279.23	312.74
	LL209PMG		Complete Hose Kit, Grey	509.95	571.14

* Recommended for stock.

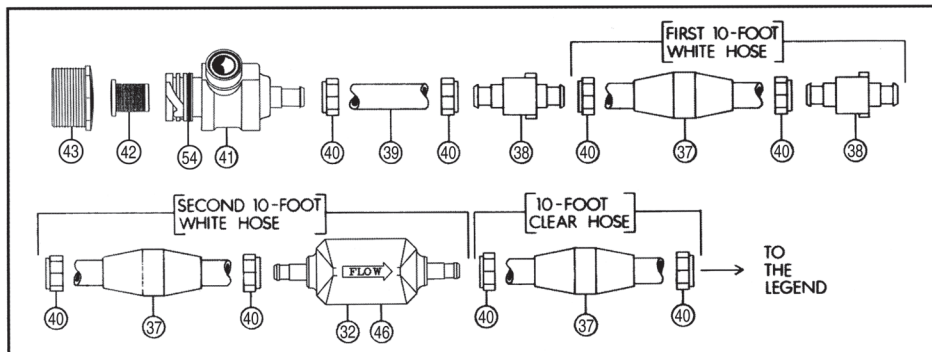
¹ For use on units manufactured before 8-01-05.

² For use on units manufactured after 8-01-05.

Legend® 3-Wheel Replacement Parts



HOSE KIT - # LL209



Legend® 3-Wheel (Cont'd)

Replacement Parts



Item	Part No.	Qty.	Description	US List	Can. List
LEGEND 3 WHEEL REPLACEMENT PARTS					
1	LLU6		Feed Mast w/O-Ring	40.05	44.86
2	EC86		Turbine Drive Shaft - Complete	31.27	35.02
3	EC83	1	Turbine Spacers - Set 1 long, 1 short	2.24	2.51
4	EC80	2	Turbine Bearings	30.61	34.28
5	EA40		Turbine Shaft Shield	6.90	7.73
6	EC110		Turbine Cover w/Elbow	11.43	12.80
7	EC120		Turbine Cover Hose 7-3/4 in. length	1.63	1.83
8	EC120		Jet - Hose - 7-3/4 in. length	1.63	1.83
9	EB5L		Sweep Hose - Complete	30.48	34.14
10	EB10	5	Sweep Hose - Wear Ring	10.74	12.03
11	EB25		Sweep Hose - Jet w/Collar	3.23	3.62
12	EB20	2	Sweep Hose - Adjustment Screw - White ¹	2.63	2.95
12	370198	2	Sweep Hose - Adjustment Screw - SS ²	2.47	2.77
13	EA20		Ballast Float - White	5.09	5.70
14	EH07	4	Sweep Hose - Hose Sleeve	4.19	4.69
15	EU15		Coarse Mesh Bag (Optional)	43.31	48.51
15	EU16		Fine Mesh Bag	CALL	CALL
17	EU9		Debris Valve	3.17	3.55
18	EU7		O-Ring for Feed Mast	1.38	1.55
19	E18		O-Ring for Thrust Jet	2.36	2.64
20	EC130	2-Pk	Thrust Jet - Light Gray	10.81	12.11
21	EC135	2-Pk	Thrust Jet - Plate	4.61	5.16
22	EC65		Axle - Large Wheels	4.30	4.82
23	EC70	2	Axle Plate	1.73	1.94
24	EC36H		Swing Axle Hardware Kit	CALL	CALL
25	EC25	2	Spring - Swing Axle	2.36	2.64
26	EC30	5	Screw For Spring To Swing Axle	1.91	2.14
27	EC32	5	Screw For Spring To Bottom Cover	1.91	2.14
28	EC45	5	Lock Washer For LLC36, EC70	2.80	3.14
29	EC16		Wheel - Small For Swing Axle	7.96	8.92
30	EC6L		Wheel w/out Bearings	13.62	15.25
31	EC60	2	Wheel Bearings Only	16.90	18.93
32	E10		Back-Up Valve	83.69	93.73
33	EC55	5	Wheel Screw - Plastic	8.56	9.59
34	EC10		Wheel - Rubber Tire (Non-ribbed)	14.63	16.39
35	EB15	2	Hose Clamp	2.40	2.69
36	EC40	10	Screw	2.60	2.91
37	ED10P		Float - Feed Hose	5.92	6.63

Item	Part No.	Qty.	Description	US List	Can. List
38	ED05		Swivel - Feed Hose	13.02	14.58
39	LLU1		Adapter Hose - White - 8-1/2 in.	4.61	5.16
40	ED15	2	Mender Nut - plastic - feed hose	6.80	7.62
41	EW22		Wall Fitting - Complete	31.20	34.94
42	E24		Screen - Wall Fitting	8.49	9.51
43	E23		Quick Disconnect Adapter	4.12	4.61
44	EC64	2	Wheel - Plastic Washer	5.05	5.66
45	EH09C		Sweep Hose Weight	13.34	14.94
46	EG15		Gears - for Back-Up Valve	71.46	80.04
47	EC131		Thrust Jet Repair Kit includes: E18, EC130, EC135	5.57	6.24
48	EA30	5	Screw for EA40 and EC110	1.91	2.14
49	EU76	2K	Axle Bolt	2.75	3.08
50	EU147	2	Snap Fit Vac Tube Posts	5.08	5.69
51	EU79		Nut & Bolt - Feed Mast to Vac Tube	4.89	5.48
52	LLU8	2	Venturi Jet	10.04	11.24
53	EU80	2	Screw - Top Cover To Frame	4.05	4.54
54	E21	2	O-Ring For Wall Fitting	3.32	3.72

TUNE-UP KIT (3-WHEEL) - LL205

LL205			Kit includes	317.11	355.16
EB5L	1		Sweep Tail - Complete	30.48	34.14
EC6L	3		Wheel - Large	13.62	15.25
EC16	1		Wheel - Small	7.96	8.92
EC60	4		Bearings - 2-Pk	16.90	18.93
EC80	1		Turbine Bearings - 2-Pk	30.61	34.28
EC86	1		Turbine Shaft - Complete	31.27	35.02
EC10	3		Tires - Non-Ribbed	14.63	16.39
EU16	1		Fine Mesh Bag	CALL	CALL

LEGEND HOSE KIT - LL209

LL209			Kit includes	279.23	312.74
D45	2		White Feed Hose 10 in.	31.21	34.96
D50	1		Clear Feed Hose 10 in.	CALL	CALL
ED10P	10		Floats	5.92	6.63
D05	3		Swivels	CALL	CALL
E10	1		Back-Up Valve	83.69	93.73
LLU1	1		Adaptor Hose - White 8-1/2 in.	4.61	5.16
ED15	7		Mender Nuts	6.80	7.62
EW22	1		Wall Fitting - Complete	31.20	34.94
EB10	1		Wear Ring	10.74	12.03

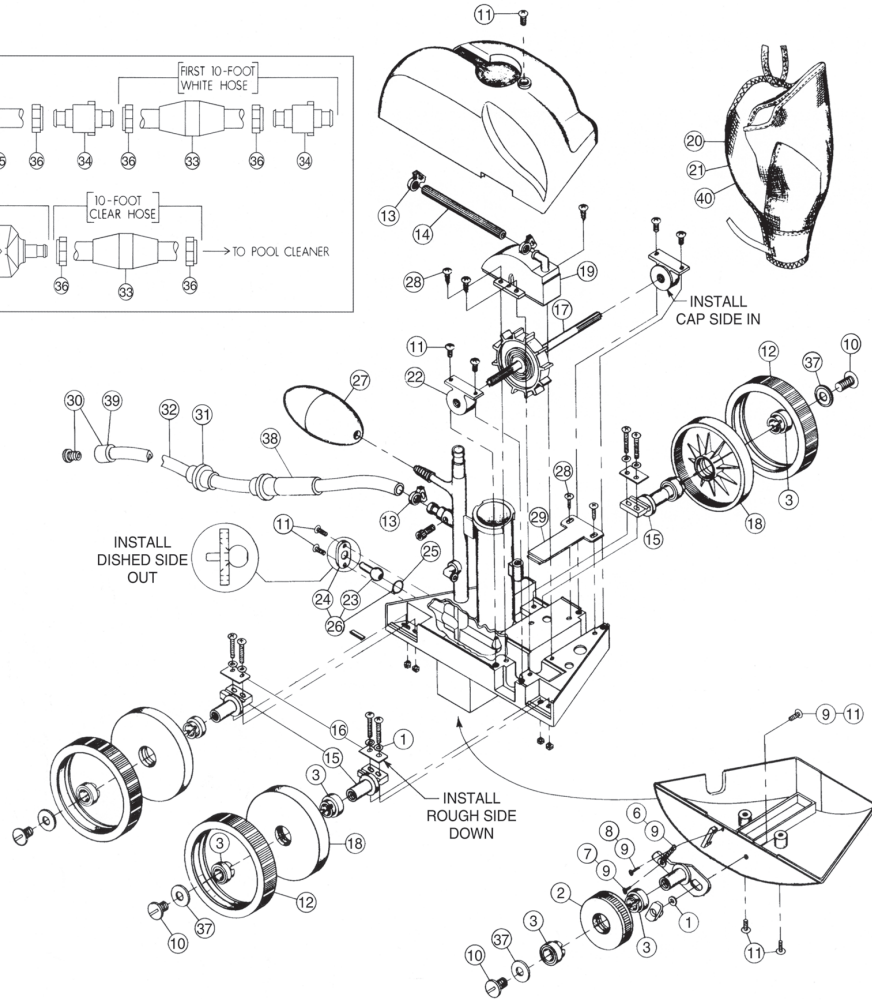
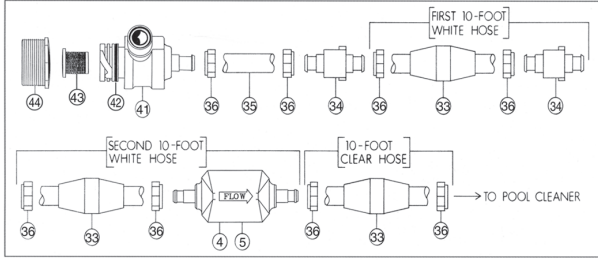
¹ For use on units manufactured before 8-01-05.

² For use on units manufactured after 8-01-05.

Pentair Replacement Parts for Polaris®



Hose Kit - # LL209



Item	Pentair Part No.	Polaris Part No.	Qty.	Description	US List	Can. List
REPLACEMENT PARTS FOR POLARIS						
1	EC45	C45	5	Lock Washer for LC36	2.80	3.14
2	EC16	C16		Small Wheel - Swing Axle	7.96	8.92
3	EC60	C60	2	Ball Bearing	16.90	18.93
4	EI0	G52		Back-up Valve	83.69	93.73
5	EG15	N/A		Gear Assembly - B/U Valve	71.46	80.04
6	EC25	C25	2	Spring for LC36	2.36	2.64
7	EC30	C30	5	Screw for EC25 to Axle	1.91	2.14
8	EC32	C32	5	Screw for EC25 to Body	1.91	2.14
9	EC36H	N/A		Hardware Kit For LC36	CALL	CALL
10	EC55	C55	5	Wheel Screw	8.56	9.59
11	EC40	C40	10	Screw for A5/A10/C36/C80/C130	2.60	2.91
12	EC10	C10		Tire for LC6	14.63	16.39
13	EB15	B15	2	Clamp for Sweep Hose	2.40	2.69
14	EC120	CI20		Hose for EC110, 7-3/4 in. Length	1.63	1.83

Item	Pentair Part No.	Polaris Part No.	Qty.	Description	US List	Can. List
15	EC65	C65		Axle - Large (Rear)	4.30	4.82
16	EC70	C70		Axle Plate	1.73	1.94
17	EC86	C86		Drive Shaft - Assembled	31.27	35.02
18	LC6	C6		Wheel - Large	13.20	14.78
19	EC110	CI10		Turbine Cover w/ Elbow	11.43	12.80
20	LA16	A16		Sand/Silt Bag	27.79	31.12
21	LA15	A15		Leaf Bag	43.31	48.51
22	EC80	C80	2	Ball Bearings - Turbine	30.61	34.28
23	EC130	N/A	2	Thrust Jet	10.81	12.11
24	EC135	N/A	2	Jet Plate	4.61	5.16
25	EI8	N/A	2	O-Ring for EC130	2.36	2.64
26	EC131	CI31		Thrust Jet Repair Kit	5.57	6.24
27	EA20	A20		Ballast Float (White)	5.09	5.70
28	EA30	A30	5	Screw for EA40	1.91	2.14
29	EA40	A40		Turbine Shaft Shield	6.90	7.73
30	EB25	B25		Sweep Hose Jet with Collar	3.23	3.62

Pentair Replacement Parts for Polaris® (Cont'd)

Replacement Parts

Item	Pentair Part No.	Polaris Part No.	Qty.	Description	US List	Can. List
REPLACEMENT PARTS FOR POLARIS						
31	EB10	B10	5	Wear Ring	10.74	12.03
32	EB5L	B5		Sweep Hose - Complete	30.48	34.14
33	ED10P	D10		Float for Feed Hoses	5.92	6.63
34	ED05	D20		Swivel Feed Hose	13.02	14.58
35	LLU1	N/A		Adapter Hose - White 8-1/2 in.	4.61	5.16
36	ED15	D15	2	Mender Nut	6.80	7.62
37	EC64	C64	2	Wheel Washer	5.05	5.66
38	EH09C	B2		Weight Sweep Hose	13.34	14.94
39	LB03	N/A		Collar Hose Jet	2.51	2.81
40	LG45	G45	4	Disposable Sand/Silt Bag	8.90	9.97
41	EW22	9-100-9001		Wall Fitting - Complete	31.20	34.94
42	E21		2	O-Ring for EW22 Wall Fitting	3.32	3.72
43	E24			Screen for Wall Fitting	8.49	9.51
44	E23	6-500-00		Wall Fitting Quick Disconnect Adapter	4.12	4.61
	LD24	D24	4	O-Ring for LD22 & LD23	1.83	2.05
TUNE-UP KIT - L205P						
	L205P	A49		Kit includes	189.25	211.96
	LC6	C6	3	Wheel Large	13.20	14.78
	EC60	C60	4	Ball Bearing - 2-Pk	16.90	18.93
	EC10	C10	3	Rubber Tire	14.63	16.39
	EC65	C65	3	Axle - Large (Rear)	4.30	4.82
	EC16	C16	1	Small Wheel - Swing Axle	7.96	8.92
	EC80	C80	1	Ball Bearings - Turbine - 2-Pk	30.61	34.28
	EC86	C86	1	Turbine Shaft	31.27	35.02
	EC55	C55	1	Wheel Screw - 5-Pk	8.56	9.59
NOT SHOWN						
	JVP8			Pressure Stick w/o Gauge	26.05	29.18
	15060-0000T			Pressure Gauge for JVP8	36.79	41.20
	LC36		1	Axle Swing with T-Bracket	13.55	15.18
	353020	PI7	1	Quick Disc Hose Kit, Pump	38.54	43.16
	370017	9-100-3105	1	Sweep Hose, Scrubber - (380/360/280/180)	2.66	2.98
	370024	K16	1	Bag Conversion Kit, w/Bag - All Purpose	CALL	CALL
	370025	9-100-1014	1	Bag Conversion Kit, w/Bag - All Purpose (380/360)	31.16	34.90
	370058	N/A	1	UWF Installation Tool	31.16	34.90
	370059	N/A	1	Polaris Bag Adaptor - (380/360) ¹	25.71	28.80
	370060	N/A	1	Polaris Bag Adaptor - (280) ¹	6.02	6.74
	370073	6-504-00	1	Filter Screen, UWF/QD - (380/360/280/180)	6.83	7.65
	370112	D23	1	Quick Disc Plug NPTM, Plastic	7.34	8.22
	370161	C66	1	Axle LG Wheel - (280/180)	4.58	5.13
	370163	D26	1	Quick Disc FEM, Plastic	9.88	11.07
	370165	G9	1	Coupling, 1-1/2 NPTF X 3/4 in. NPTM - (380/280/180)	12.82	14.36
	370168	P5	1	Volute, Booster Pump	8.83	9.89
	370169	9-100-1132	1	Drive Train Gear Kit (380/360)	41.49	46.47
	370170	9-100-1139	1	Axle Block Kit, Front & Rear - (380/360)	20.65	23.13
	370171	9-100-1103	1	Turbine Wheel with Bearing (380/360)	12.56	14.07

Item	Pentair Part No.	Polaris Part No.	Qty.	Description	US List	Can. List
	370173	9-100-7003	1	Feed Pipe w/o Timer - (380)	14.97	16.77
	370174	P15	1	Impeller 3/4 HP, Pump	27.77	31.10
	370176	9-100-1114	1	Hub Cap - (380/360/340)	0.92	1.03
	370177	9-100-3135	1	Collar, Bag Tie - (360)	2.32	2.60
	370178	9-100-1008	1	Wheel, Double-Side - (380/360)	13.34	14.94
	370179	9-100-1116	1	Wheel, Single-Side - (380/360)	10.88	12.19
	370180	9-100-1007	1	Transfer Pulley Drive Shaft Assy. - (380/360)	22.60	25.31
	370184	K15	1	Leaf Bag - (280) ²	43.31	48.51
	370185	9-100-1012	1	Leaf Bag - (380/360) ³	43.31	48.51
	370186	9-100-5107	2	E-Clip SS - (380/360)	0.92	1.03
	370187	P20	1	Plug 1/8 in. NPTM, Pump	2.09	2.34
	370189	9-100-3103	1	Feed Hose IFT - (360)	4.08	4.57
	370198	B20	1	Adj Screw Sweep Hose - (380/360/280/180)	2.47	2.77
	E25	9-100-9002	1	Pressure Relief Valve - (380/280/180)	12.24	13.71
	EC83	C83	1	Turbine Shaft Tube - (280/180)	2.24	2.51
	EH07	N/A	4	Sweep Hose, Sleeves	4.19	4.69
	L91001017	9-100-1017	1	Belt Kit, Small & Large - (380/360)	31.60	35.39
	LA115	P65	2	Bolt SS, Stand to Bracket And Motor	2.81	3.15
	LA125	P25	2	Nut/Bolt SS For Volute to Bracket	2.68	3.00
	LA45	A45	1	Float Arm Repair Kit - (180)	18.11	20.28
	LBB91001108	9-100-1108	2	Wheel Bearing - (380/360/340)	7.96	8.92
	LC115	C115	2	Elbow for Turbine Cvr or Feed Mast Tube	6.80	7.62
	LC36	C36	1	Swing Axle Kit (280/180)	13.55	15.18
	LD45	D45	1	Feed Hose, 10 ft. Wht - (380/280/180)	26.36	29.52
	LD50	D50	1	Leader Feed Hose Clr 10 ft. - (380/280/180)	40.29	45.12
	LL209	G5	1	Feed Hose Compl, with Back-Up Valve	279.23	312.74
	LX10	9-100-1200	1	Back-Up Valve - (360)	86.13	96.47
	LX17	9-100-3102	1	Feed Hose 6Ft - (360)	21.68	24.28
	LX19	9-100-3002	1	Swivel Hose - (360)	18.17	20.35
	LX20	9-100-3109	2	Hose Nut - (360)	4.43	4.96
	LXW22	9-100-3006 9-100-3009	1	Quick Disconnect UWF with Pressure Relief Valve - (360)	26.20	29.34
	370239	P133	4	Quick Connect Fittings for Booster Pump	26.14	29.28

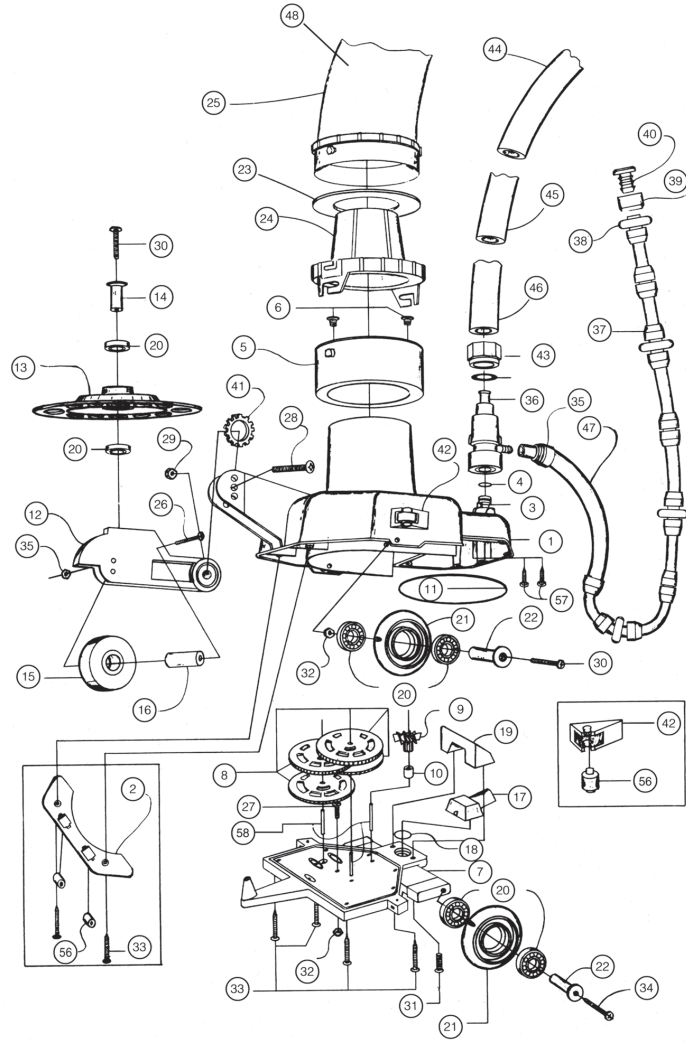
¹ Required to adapt Pentair Bag to Polaris® 380/360 Includes Debris Valve.

² Requires Bag Conversion Kit 370060 on initial replacement conversion kit.

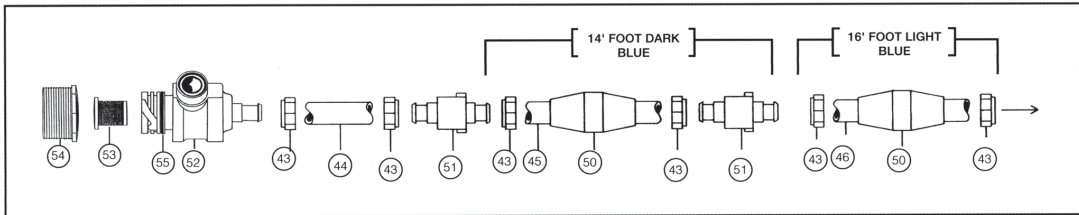
³ Requires Bag 370059 on initial replacement.

Note: These parts are manufactured by Pentair Water Pool and Spa® as replacements for designated Zodiac Pool Care, Inc. ("Zodiac") products. Polaris® is a trademark of Zodiac.

Jet-Vac® - JVI05 Replacement Parts



HOSE KIT - # JV209



Item	Part No.	Qty.	Description	US List	Can. List
JET-VAC -JVI05 REPLACEMENT PARTS					
1	JV2C		Venturi Shell (Blue)	179.16	200.66
2	JV2B		Deflector Assembly	28.39	31.80
3	JV3		Connector	10.77	12.06
4	EF07	2	O-Ring for JV3	1.60	1.79
5	JV4		Shell Float	63.28	70.87
6	JV4B		Adjustment Bushing for Shell Float Cover	3.05	3.42

Item	Part No.	Qty.	Description	US List	Can. List
7	JV5		Gear Plate	129.13	144.63
7	JV5C		Gear Plate with Gears	174.91	195.90
8	JV7	4	Gear	50.51	56.57
9	JV8		Propeller	10.95	12.26
10	JV9		Spacer for Propeller	4.35	4.87
11	JV11		O-Ring for JV2C	2.03	2.27
12	JV12		Roller Arm	35.59	39.86

Jet-Vac® - JVI05 (Cont'd)

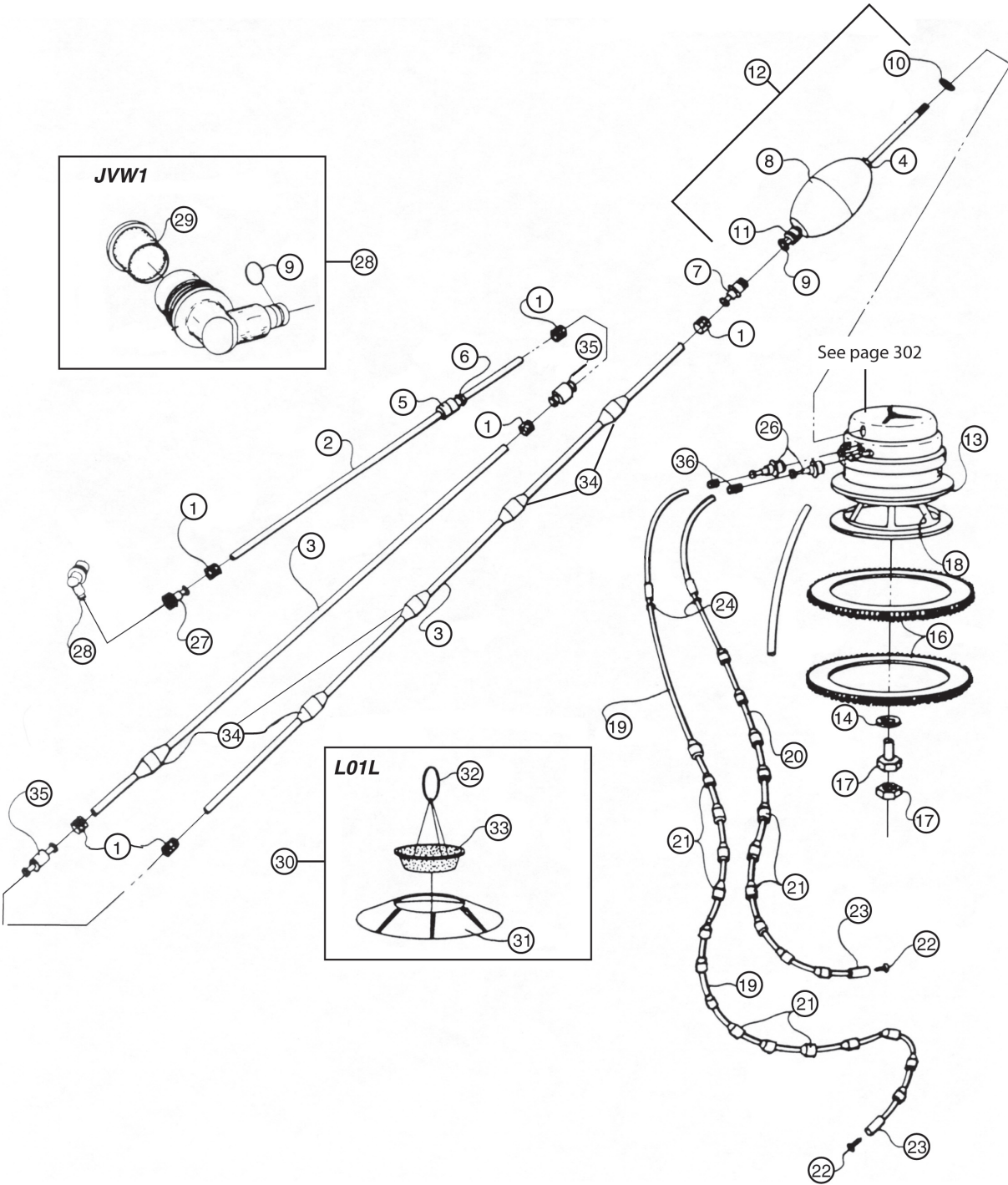
Replacement Parts



Item	Part No.	Qty.	Description	US List	Can. List
13	JV13		Nose Wheel	36.59	40.98
14	JV14		Nose Wheel Hub	2.80	3.14
15	JV15		S. Steel Wheel	34.26	38.37
16	JV16		Hub for S. Steel Wheel	4.00	4.48
17	JV17		Pusher Jet Nozzle	20.79	23.28
18	E18		O-Ring for Pusher Jet	2.36	2.64
19	JV19		Pusher Jet Nozzle Holder	32.95	36.90
20	LG35B	2	Bearing	18.23	20.42
21	JV21	2	Tire	7.32	8.20
22	JV22	4	Hub for Tire	8.35	9.35
23	JV29		Funnel Adapter Gasket	7.90	8.85
24	JV30		Funnel Adapter	71.18	79.72
25	JV32		Fine Silt Bag with Locking Ring	37.57	42.08
26	JV39	2	Screw for S. Steel Wheel	2.06	2.31
27	JV40	2	Screw for Gear Plate Center	4.18	4.68
28	JV41	2	Screw for Roller Arm	2.06	2.31
29	EU78	2	Nut for Roller Arm	3.05	3.42
30	JV43	3K	Screw for Front Tire Hub & Nose Wheel Hub	1.52	1.70
31	JV44	2	Screw for Pusher Jet Holder	0.95	1.06
32	JV45	5	Nut for JV43 and JV40	3.77	4.22
33	JV46	5	Screw for JV5C and JV2B	2.55	2.86
34	JV48	2	Screw for Back Tires	1.14	1.28
35	JV45		Nut, Nylon 6-32, 5 Pack	3.77	4.22
36	JV50		Quick Disconnect Swivel	49.20	55.10
37	JV53	4	Hose Sleeve	4.97	5.57
38	JV54	5	Roller Ring	7.52	8.42
39	JV55		Hose Jet Collar	4.00	4.48
40	JV56		Hose Jet	4.85	5.43
41	JV61	2	Lock Washer for Roller Arm	5.30	5.94
42	JV62	2	Side Wheel Assembly	6.91	7.74
43	ED15	2	Hose, Mender - Plastic	6.80	7.62
44	JV501		2 in. Hose, Feeder - First Section - White	8.93	10.00
45	JV502		14 in. Hose, Feeder - Second Section - Dark Blue (Hard)	54.86	61.44
46	JV503		16 in. Hose, Feeder - Third Section - Light Blue (Soft)	63.37	70.97
47	JV52		Sweep Hose - Complete	35.63	39.91
48	JV31		Coarse Mesh Leaf Bag w/ Locking Ring	37.57	42.08
50	ED10P		Feed Hose Float	5.92	6.63
51	ED05		Swivel	13.02	14.58
52	EW22		Wall Fitting - Complete	31.20	34.94
53	E24		Screen For Wall Fitting	8.49	9.51
54	E23		Quick Disconnect Adapter	4.12	4.61
55	E21	2	O-Ring For Wall Fitting	3.32	3.72
56	JV64	2	Sidewheels	3.81	4.27
57	LG10	2	Screws for JV3	1.60	1.79
58	JV6	3	Shaft	20.17	22.59
JET-VAC GEAR TUNE-UP KIT - JV204					
	JV204		Kit includes	76.82	86.04
	JV6	3	Shaft	20.17	22.59

Item	Part No.	Qty.	Description	US List	Can. List
	JV9	1	Spacer	4.35	4.87
	JV7	4	Gear Beige	50.51	56.57
	JV8	1	Impeller Beige	10.95	12.26
JET-VAC TUNE-UP KIT - JV205					
	JV205		Kit includes	315.16	352.98
	JV5C	1	Gear Plate w/Gears	174.91	195.90
	JV21	2	Tires - 2-Pk	7.32	8.20
	LG35B	5	Bearings - 2-Pk	18.23	20.42
	JV52	1	Sweep Tail - Complete	35.63	39.91
	JV11	1	O-Ring for Gear Plate	2.03	2.27
	JV32	1	Debris Bag	37.57	42.08
	JV4B	1	Adjustment Bushings	3.05	3.42
JET-VAC OVERHAUL KIT - JV206					
	JV206		Kit includes	488.50	547.12
	JV4	1	Shell Float Housing	63.28	70.87
	JV2B	1	Defector Plate w/ Rollers	28.39	31.80
	JV5C	1	Gear Plate w/Gears	174.91	195.90
	JV21	2	Tires - 2-Pk	7.32	8.20
	JV30	1	Funnel Adaptor	71.18	79.72
	JV32	1	Debris Bag	37.57	42.08
	JV52	1	Sweep Tail - Complete	35.63	39.91
	JV62	1	Side Wheel - Complete	6.91	7.74
	LG35B	5	Bearings	18.23	20.42
	JV11	1	O-Ring for Gear Plate	2.03	2.27
	JV13	1	Nose Wheel	36.59	40.98
JET-VAC HOSE KIT - JV209					
	JV209		Kit includes	400.34	448.38
	JV501	1	2 ft. Hose, Feeder - First Section/White	8.93	10.00
	JV502	1	14 ft. Hose, Feeder - Second Section/Lt. Blue	54.86	61.44
	JV503	1	16 ft. Hose, Feeder - Third Section/Drk. Blue	63.37	70.97
	JV52	1	Sweep Tail - Complete	35.63	39.91
	EW22	1	Wall Fitting - Complete	31.20	34.94
	ED10P	4	Floats	5.92	6.63
	ED15	3	Mender Nuts - 2-Pk	6.80	7.62
	ED05	2	Swivels	13.02	14.58
	JV50	1	Disconnect Swivel with Barb	49.20	55.10
JET-VAC FEED HOSE COMPLETE - JV504C					
	JV504C		Kit includes	316.19	354.13
	JV501	1	2 ft. Hose, Feeder - First Section/White	8.93	10.00
	JV502	1	14 ft. Hose, Feeder - Second Section/Lt. Blue	54.86	61.44
	JV503	1	16 ft. Hose, Feeder - Third Section/Drk. Blue	63.37	70.97
	JV52	1	Sweep Tail - Complete	35.63	39.91
	ED10P	4	Floats	5.92	6.63
	ED15	3	Mender Nuts - 2-Pk	6.80	7.62
	ED05	2	Swivels	13.02	14.58
	JV50	1	Disconnect Swivel with Barb	49.20	55.10

Sweep I and II Replacement Parts



Sweep I and II (Cont'd)

Replacement Parts



Item	Part No.	Qty.	Description	US List	Can. List
SWEEP I AND II REPLACEMENT PARTS					
1	ED15	2	Mender Nut - Large	6.80	7.62
2	LD03A		Hose, Feeder 6 ft. Length	29.67	33.23
3	LD03C		Hose, Feeder 16 ft. Length	26.85	30.07
4	LD15		Float Retainer	2.33	2.61
5	LD27		Weight, Feeder Hose - Complete	43.26	48.45
6	LD30		Weight Retainer	2.13	2.39
7	LD41		Quick Disconnect Swivel	23.35	26.15
8	LF01		Oblong Float - Large	12.82	14.36
9	EF07	2	O-Ring for Hose Connector	1.60	1.79
10	LF12		Float Arm Grommet	3.05	3.42
11	LF21		Float Arm Connector	13.90	15.57
12	LF22		Float Arm Assembly	35.73	40.02
13	LG02		Bottom Shell	131.30	147.06
14	LG04		Washer - Flat Plated	2.97	3.33
16	LG09W		Housing Tire (Wide Track)	12.32	13.80
17	LG44		Jam Nut	1.99	2.23
18	LG63A		Bottom Shell Extension	24.53	27.47
19	LH05F		Floor Sweep Hose	48.70	54.54
19	LH05FR		Floor Sweep Hose w/Roller Rings ¹	74.33	83.25
19	LH15		Floor Hose w/Fittings	99.99	111.99
19	LH15R		Floor Hose w/Fittings & Roller Rings ¹	78.08	87.45
20	LH05W		Wall Sweep Hose	42.58	47.69
20	LH05WR		Wall Sweep w/Roller Rings ¹	75.77	84.86
20	LH16		Wall Hose w/Fittings	85.70	95.98
20	LH16R		Wall Hose w/Fittings & Roller Rings ¹	66.95	74.98
21	EH07	4	Hose Sleeve w/o Insert	4.19	4.69
22	EH08	2	Hose Jet	5.87	6.57
23	EH09C		Hose Jet Collar	13.34	14.94
24	LH10		Stop Rings S.S.	1.72	1.93
26	LJ27		Quick Disconnect for Sweep Hose	20.53	22.99
27	EJ28		Quick Disconnect for Feed Hose	19.76	22.13
28	JVWI		Wall Fitting - Complete 1-1/2 in.	40.51	45.37

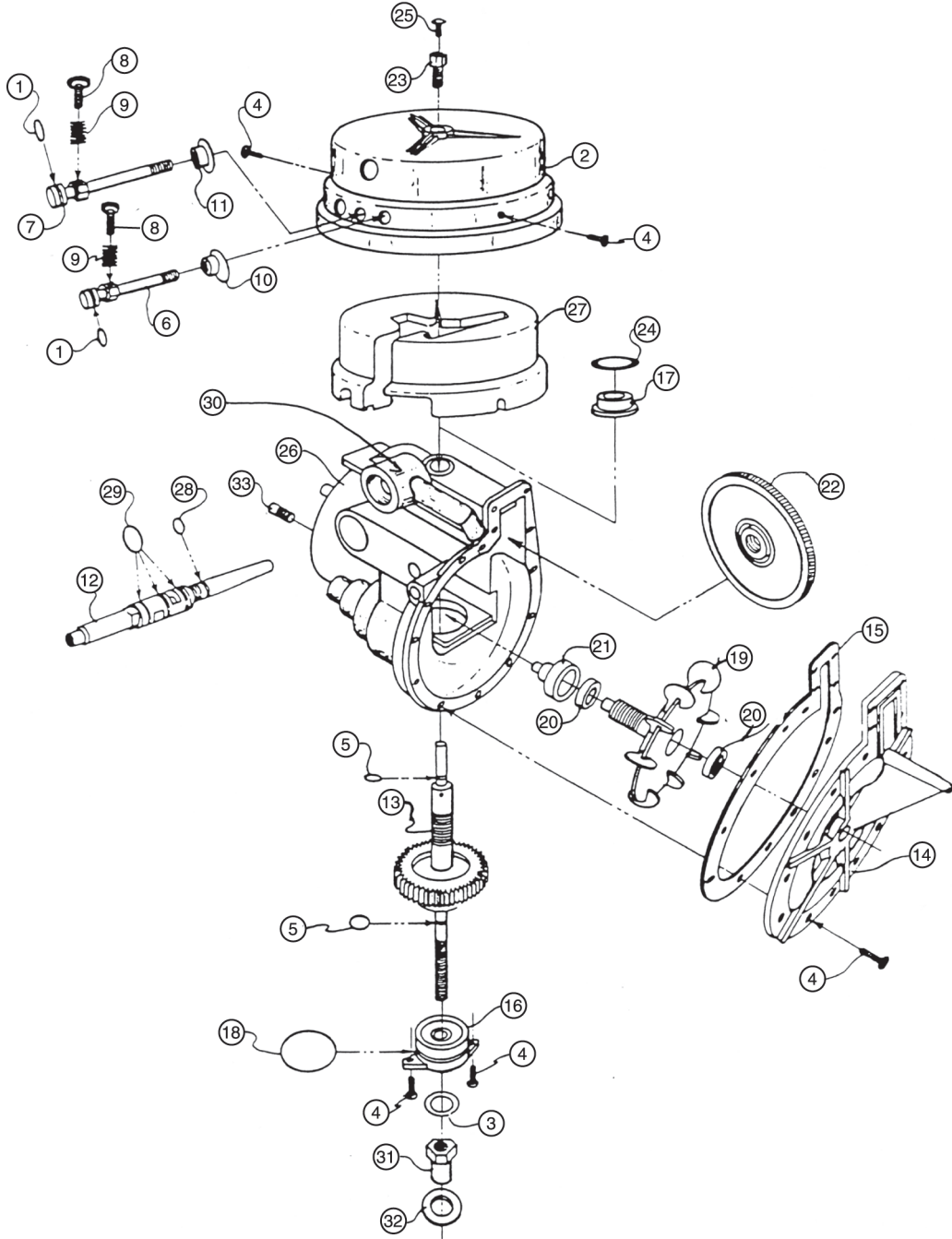
Item	Part No.	Qty.	Description	US List	Can. List
29	EJVW2		Screen for 1-1/2 in. Wall Fitting	14.01	15.69
30	L01L		Leaf Basket - Complete	102.01	114.25
31	L01S		Shroud	62.86	70.40
32	L02		Harness for Leaf Basket	18.70	20.94
33	L09		Leaf Basket Only	43.41	48.62
34	ED10P		Hose Float - Small	5.92	6.63
35	ED05		Swivel	13.02	14.58
36	EB15	2	Hose Clamp	2.40	2.69
NOT SHOWN					
	LD03L		Feeder Hose - First Section w/Floats & Fittings	93.80	105.06
	LD09		Finger Screen for 3/4 in. Wall Fittings	14.19	15.89
	LD10	2	Hose Washer	1.22	1.37
	LD026	2	Weight Covers	7.10	7.95
	LUC		Sweep Conversion Kit (Patent# 4784171)	CALL	CALL
	LUC1		Weight Conversion Kit	CALL	CALL
	LUC2		Hose Weight - Small	CALL	CALL
	LUC3		Hose Weight - Large	CALL	CALL
	LUCF		Float Assembly	CALL	CALL
	LW11		Wall Fitting w/Screen, 90 Degree, 3/4 in. MPT	CALL	CALL
	LW11A3		Wall Fitting w/Screen, adjustable, 90 Degree, 3/4 in. MPT	42.38	47.47
	LI09		Sweep I Head Only	46.68	52.28
	L209		Sweep I Hose Box	362.58	406.09
	L209R		Sweep I Hose Box w/Roller Rings	562.55	630.06
	LG272		Internal Motor w/Gears for Arneson® II	649.81	727.79
	LG27B		Internal Motor w/Gears for Sweep I & II	199.98	223.98

¹ Optional.

Note: Sweep II used in Europe only.

Sweep I and II - L79BL

Replacement Parts



Sweep I and II - L79BL (Cont'd)

Replacement Parts

Item	Part No.	Qty.	Description	US List	Can. List
SWEEP I & II - L79BL REPLACEMENT HEAD PARTS					
1	EF07	2	O-Ring for Hose Connector	1.60	1.79
2	LG01BL		Top Shell	88.04	98.60
3	LG08		Spacer S.S.	0.83	0.93
4	LG10A	5	Gear Housing Screw	4.61	5.16
5	LG12	2	O-Ring for Gear Axle	1.72	1.93
6	LG13		Wall Hose Connector	23.44	26.25
7	LG14		Floor Hose Connector	37.14	41.60
8	JVW4	2	Thumb Screw	CALL	CALL
9	EG16A	2	Compression Spring	3.05	3.42
10	LG17		Grommet - Wall Hose Connector	3.32	3.72
11	LG18		Grommet - Floor Hose Connector	3.32	3.72
12	LG21C		Valve Drive Jet	35.90	40.21
13	LG26L		Gear Axle w/Tile Rinser - Blue	56.10	62.83
14	LG28A		Gear Housing Cover	47.40	53.09
15	LG29		Gasket for G28A	4.12	4.61
16	LG30B		Lower Bearing with O-Ring	8.82	9.88
17	LG31		Axle and Impeller Thrust Bearing	6.14	6.88
18	LG32		O-Ring for Lower Bearing	2.13	2.39
19	LG33C		Turbine Wheel for G35B Blue	44.33	49.65
20	LG35B	2	Thrust Bearing	18.23	20.42
21	LG35C		Bearing Holder	7.86	8.80
22	LG36L		Valve Gear - Blue	28.99	32.47
23	LG39		Tile Rinser w/Screw	8.35	9.35
24	LG47		Spinner Washer	0.77	0.86
25	LG49		Tile Rinser Screw	0.85	0.95
26	LG27		Gear Housing	114.17	127.87
27	LG55		Float for Cleaner Head	23.85	26.71
28	LF24	3	O-Ring for Back-up Extension	1.72	1.93
29	EJ04	3	O-Ring for Valve Drive Jet	1.65	1.85
30	PG27A		Accessory Part for G27	20.86	23.36
31	LG44		Woven Nut - Plated	1.99	2.23
32	LG04		Washer - Flat Plated	2.97	3.33
33	LG51C		Screw Thrust Adjuster	3.32	3.72

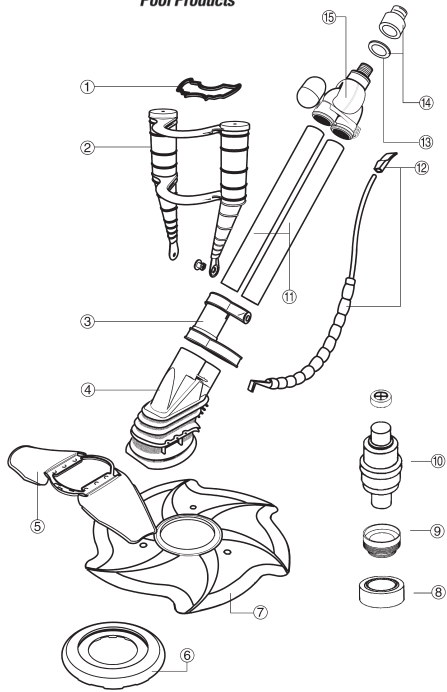
Kreepy Krauly® - 2000 Model

Replacement Parts



K70400 - Starfish Seal - Concrete Pools

K70405 - Pleated Seal - Vinyl/Tile/Fiberglass Pools

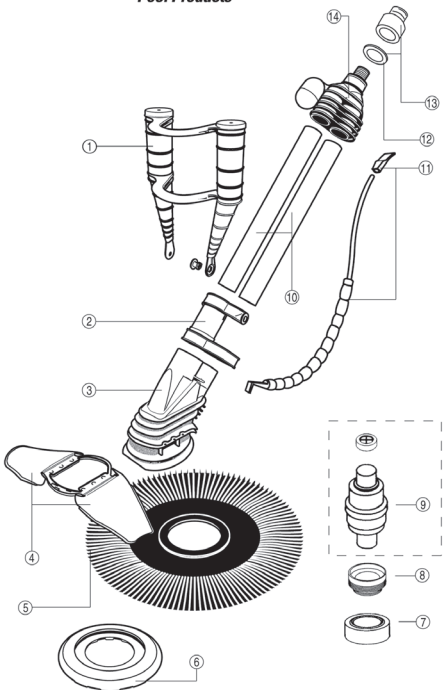


Item	Part No.	Description	US List	Can. List
KREEPY KRAULY REPLACEMENT PARTS				
1	KI2164	Dive Float Restrictor	9.15	10.25
2	KI2157	Dive Float With Clips	68.27	76.46
3	KI2158	Weight Holder	57.77	64.70
4	KI2155	Main Body With Exchange Only	267.42	299.51
5	KI2160	Wing Set	35.88	40.19
6	KI2059	Foot Pad	27.88	31.23
7	KI2895	Starfish Seal (for concrete pools only, not interchangeable with 1994-1999 model)	97.71	109.44
8	KI2054	Hose Weight	15.63	17.51
9	KI2079	Threaded Compression Adaptor	8.69	9.73
10	KI2004	Automatic Regulator Valve (white) and cap (not interchangeable with 1994-1999 model)	71.40	79.97
11	KI2163	Drive Tube Top/Bottom (I)	18.73	20.98
12	KI2161	Roller Bumper Strap (includes roller bumper and end clip)	34.11	38.20
13	KI2087	Bearing Washer	5.03	5.63
14	KI2156C	Swivel Cone and Bearing	16.07	18.00
15	KI2156	Swivel Cone Head Assembly	62.23	69.70
NOT SHOWN				
	KI2270	Vinyl Liner Foot Pad	39.74	44.51

Product on page 19.

Kreepy Krauly® - 1994 Through 1999

Replacement Parts



Item	Part No.	Description	US List	Can. List
KREEPY KRAULY - 1994 THROUGH 1999 REPLACEMENT PARTS				
1	KI2157	Dive Float with Clips	68.27	76.46
2	KI2158	Weight Holder	57.77	64.70
3	KI2055	Main Body With Exchange Only (Excludes Flapper)	267.42	299.51
4	KI2160	Wing Set	35.88	40.19
5	KI2894	Inground Seal	97.71	109.44
6	KI2059	Foot Pad	27.88	31.23
7	KI2054	Hose Weight	15.63	17.51
8	KI2079	Threaded Compression Adapter	8.69	9.73
9	4I200-0214	Automatic Regulator Valve (aqua) and cap (not interchangeable with 2000 model)	71.40	79.97
10	KI2163	Drive Tube Top/Bottom (I)	18.73	20.98
11	KI2161	Roller Bumper Strap (includes roller bumper and end clip)	34.11	38.20
12	KI2087	Bearing Washer	5.03	5.63
13	KI2156C	Swivel Cone and Bearing	16.07	18.00
14	KI2056	Swivel Head Assembly	CALL	CALL

Note: (Aqua Color, Serial Number KK0100001 - KK0700000)

Note: These parts are NOT interchangeable with earlier models of Kreepy Krauly.

Note: All interchangeable parts for the new Kreepy Krauly will be supplied in the new blue color.

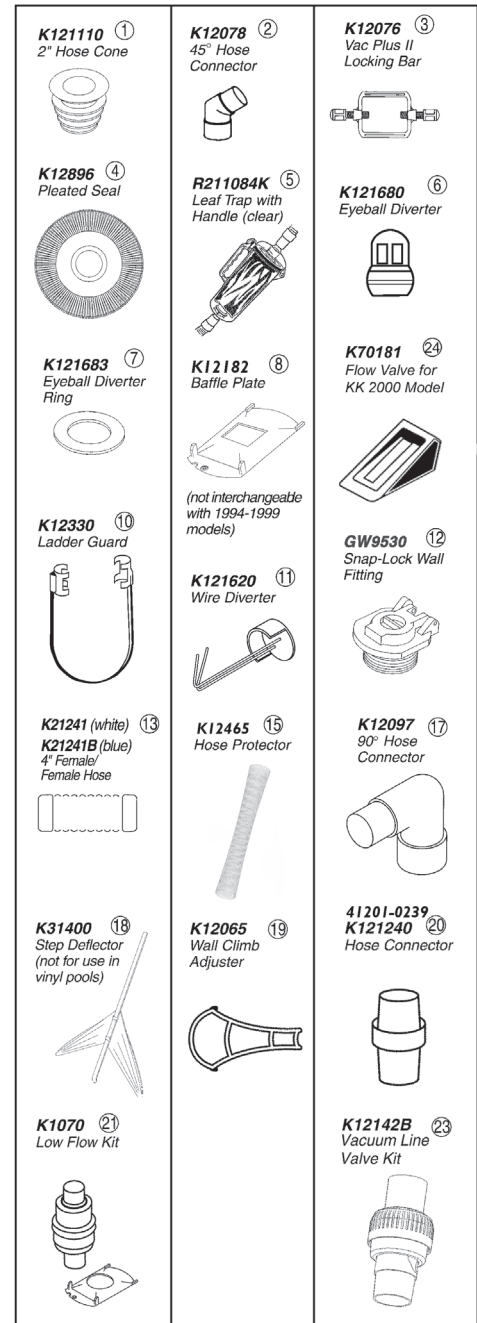
Note: Blue hose and blue hose weights are made for this model of Kreepy Krauly.

Kreepy Krauly® Hose & Accessories

2000 Model and 1994–1999 Models



Item	Part No.	Description	US List	Can. List
KREEPY KRAULY HOSE & ACCESSORIES				
1	K121110	2 in. Hose Cone	18.94	21.21
2	K12078	45° Hose Connector	14.73	16.50
3	K12076	Vac Plus II Locking Bar	30.74	34.43
4	K12896	Pleated Seal (for vinyl/tile/ fiberglass/concrete pools) - 2000 Model Only	97.71	109.44
5	R211084K	Leaf Trap with Handle (clear)	84.80	94.98
6	K121680	Eyeball Diverter	7.78	8.71
7	K121683	Eyeball Diverter Ring - 2000 Model Only	4.69	5.25
7	K12649	Eyeball Diverter Ring (1994–1999 Models Only)	10.72	12.01
8	K12649	Baffle Plate (not interchangeable with 1994–1999 models)	10.72	12.01
10	K12330	Ladder Guard	37.67	42.19
11	K121620	Wire Diverter	21.32	23.88
12	GW9530	Snap-Lock Wall Fitting	43.32	48.52
13	K21241	4 in. Female/Female Hose (white)	8.47	9.49
13	K21241B	4 in. Female/Female Hose (blue)	7.53	8.43
15	K12465	Hose Protector	6.53	7.31
17	K12097	90° Hose Connector	22.32	25.00
18	K31400	Step Deflector (not for use in vinyl pools)	37.29	41.76
19	K12065	Wall Climb Adjuster	10.49	11.75
20	K121240	Hose Connector	7.52	8.42
20	41201-0239	Hose Connector	6.96	7.80
21	K1070	Low Flow Kit	81.20	90.94
23	K12142B	Vacuum Line Valve Kit	47.57	53.28
24	K70181	Flow Valve KK2000 Model (For Exchange ONLY)	23.59	26.42
24	K70081	Flow Valve KK 1994–1999 model (For exchange ONLY)	23.59	26.42



K21220 Replacement Blue Hose Sections 20 Pack

- 20 Sections Male/Female Hose (40 in.)

K01200 Complete Hose Assembly - Blue

(40 ft. total length)

- II Sections Male/Female Hose (40 in.)
- I Section Female/Female Hose (40 in.)
- I Hose Protector

Note: 2000 Model Serial Number KK0700001 and Higher.

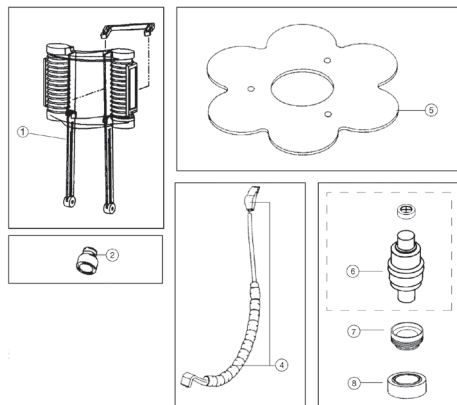
Note: (1994–1999 Models (Aqua Color) Serial Number KK0100001 - KK0700000)

Note: These parts are NOT interchangeable with earlier models of Kreepy Krauly.

Note: All interchangeable parts for the new Kreepy Krauly will be supplied in the new blue color.

Kreepy Krauly® 1993 and Earlier Models

Replacement Parts



Item	Part No.	Description	US List	Can. List
KREEPY KRAULY 1993 AND EARLIER MODELS REPLACEMENT PARTS				
1	K12610	Dive Float with Arms and Float Restrictor	59.77	66.94
2	K12345	Swivel (Straight Barrel)	9.15	10.25
4	K121400	Roller Bumper "D" with End Clip	34.11	38.20
5	K12866	Flower Seal	97.71	109.44
6	K12004	Automatic Regulator Valve (white) and cap	71.40	79.97
7	K12079	Threaded Compression Adapter	8.69	9.73
8	K12054	Hose Weight Blue	15.63	17.51

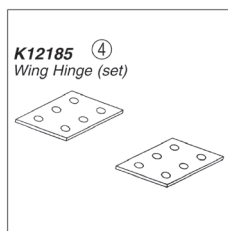
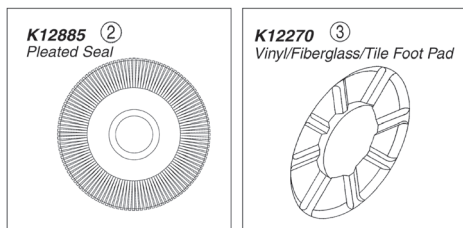
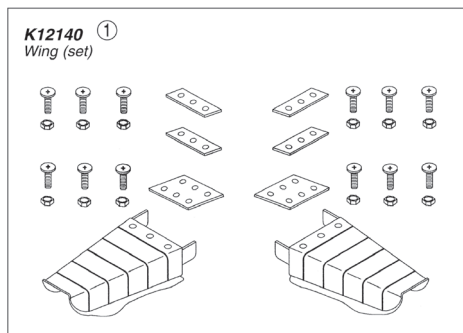
Blue & White Color, Serial Number **91B3920** and Lower.

These parts are NOT Interchangeable with the 1994 and current models of Kreepy Krauly.

Kreepy Krauly® Hose & Accessories

1993 and Earlier Models

Replacement Parts



Item	Part No.	Description	US List	Can. List
KREEPY KRAULY HOSE & ACCESSORIES 1993 AND EARLIER MODELS REPLACEMENT PARTS				
1	K12140	Wing (set)	45.86	51.36
2	K12885	Pleated Seal (Not interchangeable with 1994–2009 models)	97.71	109.44
3	K12270	Vinyl/Fiberglass/Tile Foot Pad	39.74	44.51
4	K12185	Wing Hinge (set)	9.29	10.40
NOT SHOWN				
	K21120	Replacement White Hose (20 pack)	346.28	387.83
	K21241	4 in. White Female/Female Hose Section	8.47	9.49

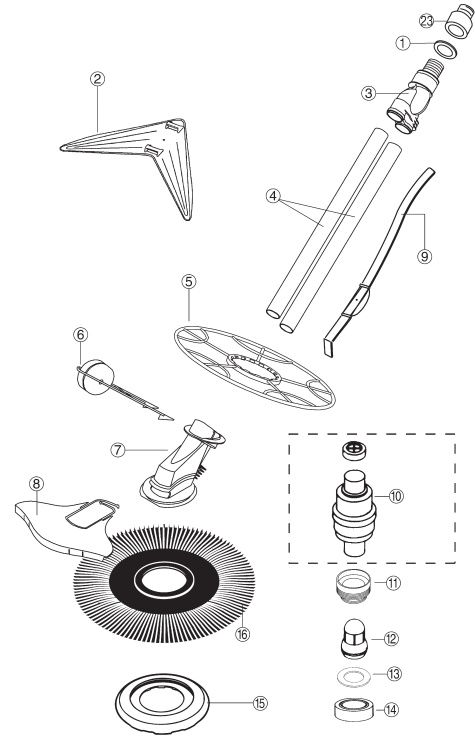
Blue & White Color, Serial Number **91B3920** and Lower.

Kreepy Kadet®

Replacement Parts



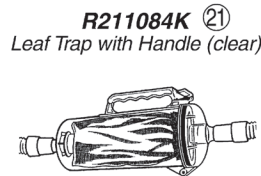
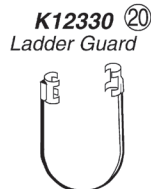
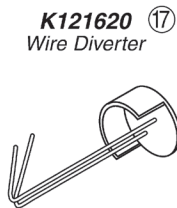
Item	Part No.	Description	US List	Can. List
KREEPY KADET REPLACEMENT PARTS				
1	KI2087	Bearing Washer	5.03	5.63
2	KI21404	Step Deflector Wing only (not for use in vinyl liner pools)	19.15	21.45
3	KI2653	Swivel Head Assembly	47.98	53.74
4	KI2654DB	Drive Tube top/bottom	14.30	16.02
5	KI2658	Guide Wheel	29.67	33.23
6	KI2656A	Float Assembly	64.92	72.71
7	KI2664	Main Body (Without Flapper)	CALL	CALL
8	KI2661	Skirt	30.55	34.22
9	KI2655W	Bumper Strap w/Weight	34.11	38.20
10	4I200-0214	Automatic Regulator Valve and Cap	71.40	79.97
11	KI2079	Threaded Compression Adapter	8.69	9.73
12	KI21680	Eyeball Diverter	7.78	8.71
13	KI21683	Outer Ring	4.69	5.25
14	KI2054	Hose Weight	15.63	17.51
15	KI2059	Foot Pad	27.88	31.23
16	KI2667	Pleated Seal	97.71	109.44
17	KI21620	Wire Diverter	21.32	23.88
19	KI2078	45° Hose Connector	14.73	16.50
20	KI2330	Ladder Guard	37.67	42.19
21	R211084K	Leaf Trap with Handle (clear)	84.80	94.98
22	GW9530	Snap-Lock Wall Fitting	43.32	48.52
23	KI2653C	Swivel Cone and Bearing Washer	7.24	8.11



K50656 Complete Vacuum Hose Assembly - Blue

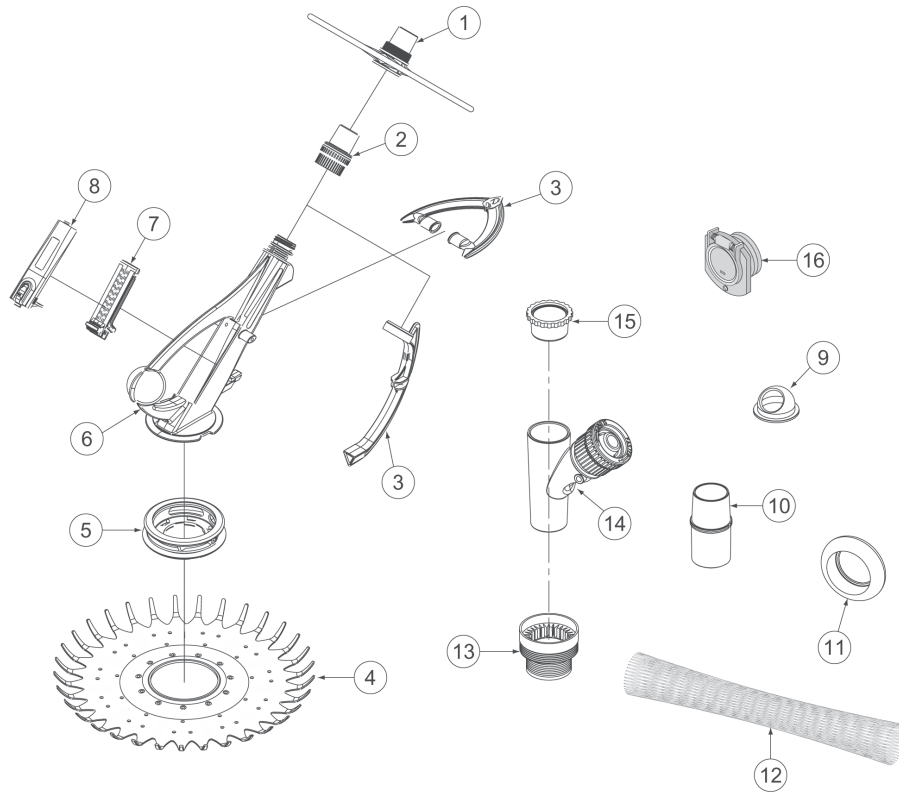
(32 ft. total length)

- II Sections Male/Female Hose (32 in.)
- I Section Female/Female Hose (32 in.)



Kreepy Krauly Kruiser®

Replacement Parts



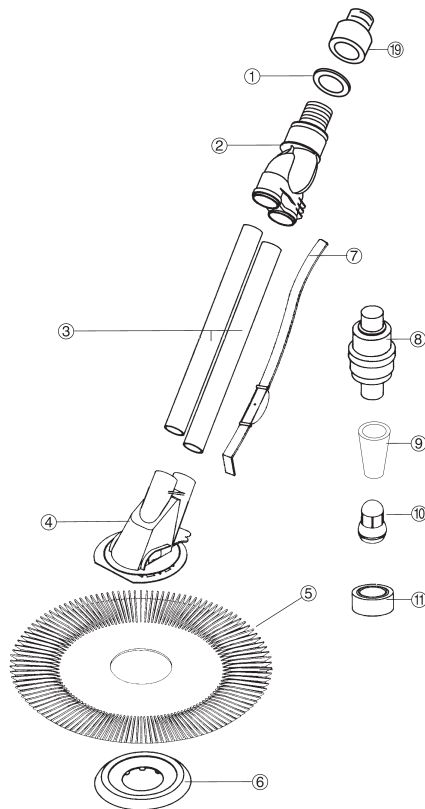
Item	Part No.	Description	US List	Can. List
KREEPY KRUISER PARTS				
1	K12458	Kruiser Deflector Wheel (Optional)	19.94	22.33
2	K12414	Kruiser Swivel Kit	17.57	19.68
3	K12417	Kruiser Bumper Kit (Horizontal & Vertical)	20.37	22.81
4	K12413	Kruiser 18 in. Vacuum Seal Kit	87.09	97.54
5	K12416	Kruiser Foot Pad Kit	19.28	21.59
6	K12411	Kruiser Main Housing Assembly Kit	343.69	384.93
7	K12415	Kruiser Silent Flapper Kit	26.68	29.88
8	K12412	Kruiser Lid & Lock Kit	14.47	16.21
9	41201-0236	Eyeball Diverter	0.37	0.41
10	41200-0212	Flow Gauge	22.83	25.57
11	K12454	Hose Weight	14.60	16.35
12	K12465	Hose Protector	6.53	7.31
13	K12079	Threaded Compression Adapter	8.69	9.73
14	41200-0200	Regulator Valve (Adjustable)	CALL	CALL
15	41200-0211	Regulator Cap	CALL	CALL
16	GW9530	Safety Vac-Lock Fitting	43.32	48.52
NOT SHOWN				
	K01210	Hose Kit (12 M/F Sections)	194.13	217.43

Kreepy Krauly E-Z Vac[®]

Replacement Parts



Item	Part No.	Description	US List	Can. List
E-Z VAC REPLACEMENT PARTS				
1	K12087	Bearing Washer	5.03	5.63
2	K12653	Swivel Head Assembly	47.98	53.74
3	K12654	Drive Tube Top/Bottom (I)	11.82	13.24
4	K12650	Main Body (Excludes Flapper)	238.86	267.52
5	K12651	Aboveground Seal	97.71	109.44
6	K12059	Foot Pad	27.88	31.23
7	K12655	Bumper Strap with weight	34.11	38.20
8	41200-0214	Automatic Regulator Valve	71.40	79.97
9	K12041	Valve Cone	10.56	11.83
10	K121680	Eyeball Diverter	7.78	8.71
11	K12657	Hose Weight	24.03	26.91
12	K121683	Eyeball Diverter Outer Ring	4.69	5.25
13	K12649	Baffle Plate (not interchangeable with Kreepy Krauly inground)	10.72	12.01
14	K121620	Wire Diverter	21.32	23.88
18	K21241B	4 in. Female/Female Blue Hose Connector	7.53	8.43
18	K21241	4 in. Female/Female Hose Connector (White)	8.47	9.49
19	K12653C	Swivel Cone and Bearing Washer	7.24	8.11



K50656 Complete Hose Assembly - Blue

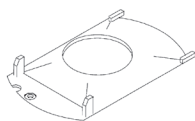
(32 ft. total length)

- II Sections Male/Female Hose (32 ft.)
- I Section Female/Female Hose (32 ft.)

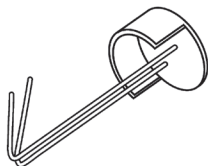
K121683
Eyeball Diverter
Outer Ring



K12649
Baffle Plate



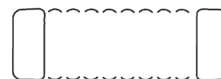
K121620
Wire Diverter



K12142B
Vacuum Line
Valve Kit

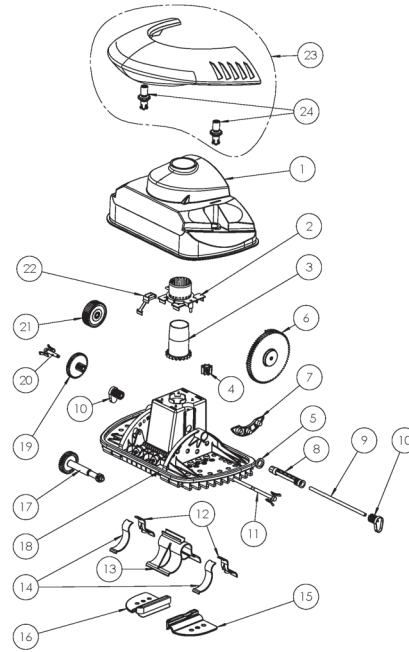


K21241B
3" Female/Female Blue
Hose Connector
K21241(White)



Kreepy Krauly® SandShark™

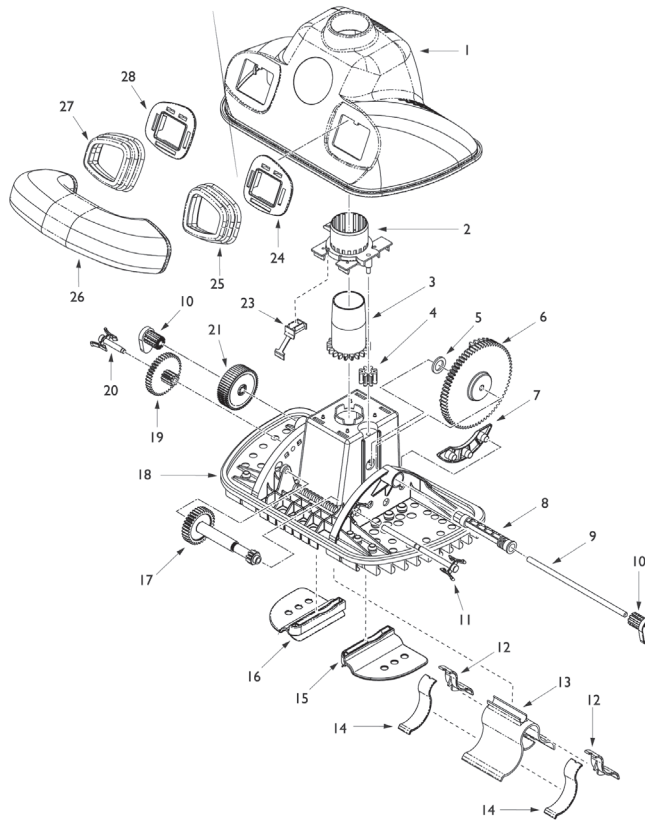
Replacement Parts



Item	Part No.	Qty.	Description	US List	Can. List
STEERING KIT (Incl. Item #'s 2,3,4, 24)					
	GW7910		Steering Kit (Incl. Key Nos. 2, 3, 4 & 22)	18.94	21.21
2		1	Swivel Housing	CALL	CALL
3			Swivel	CALL	CALL
4			Swivel Sprocket	CALL	CALL
22			Clutch Clip	CALL	CALL
CLUTCH KIT (Includes Item #'s 5, 8, 21)					
	GW7503		Clutch Kit (Incl. Key Nos. 5, 8 & 21)	CALL	CALL
5		1	Oscillator Sleeve Bushing	31.95	35.78
8		1	Oscillator Sleeve	CALL	CALL
21		1	Clutch Assembly	CALL	CALL
GEAR KIT (Includes Item #'s 6, 10, 11, 17, 19, 20)					
	GW7504		Gear Kit (Incl. Key Nos. 6, 10, 11, 17, 19 & 20)	65.73	73.62
6		1	Large steering Drive Assembly	CALL	CALL
10		2	Shaft Plug	CALL	CALL
11		1	Long Sprocket Clip	CALL	CALL
17		1	Drive Shaft assembly	CALL	CALL
19		1	Center Sprocket	CALL	CALL
20		1	Short Sprocket Clip	CALL	CALL
OSCILLATOR KIT (Includes Item #'s 12, 13, 14)					
	GW7502		Oscillator Kit (Incl. Key Nos. 12, 13 & 14)	19.84	22.22
12		2	Small Sliding Seal	CALL	CALL
13		1	Oscillator	CALL	CALL
14		2	Large Sliding Seal	CALL	CALL
SEAL FLAP KIT (Includes Item #'s 15, 16)					
	GW7506		Seal Flap Kit (Incl. Key Nos. 15 & 16)	17.94	20.09
15		1	Right Seal Flap	CALL	CALL
16		1	Left seal Flap	CALL	CALL

Item	Part No.	Qty.	Description	US List	Can. List
ACCESSORY KIT					
	GW7901		Accessory Kit (Not shown)	120.00	134.40
		1	Regulator	CALL	CALL
		1	Regulator cap	CALL	CALL
		2	Hose Weight	CALL	CALL
		1	Flow gage	CALL	CALL
		1	Reducer Cone	CALL	CALL
		2	Eyeball Diverter	CALL	CALL
		1	Vac Port Fitting	CALL	CALL
SANDSHARK PARTS					
1	GW7903	1	Outer Housing	15.57	17.44
18	41201-0242W	1	Chassis with Pad	117.91	132.06
23	GW7902	1	Bumper with flex snaps	64.36	72.08
24	GW7904		Flex Snaps Kit	14.85	16.63
NOT SHOWN					
	GW7911	1	Short Leader Hose	10.72	12.01
	GW7907	25	Suction Hose, 1 Meter segment	319.75	358.12
	41200-0200		Valve Regulator Manual		
	41200-0209		Flow Gauge (yellow)		
	GW9015		Reducer Cone (velve)		
	K12454		Hose Weight		

PoolShark® Replacement Parts

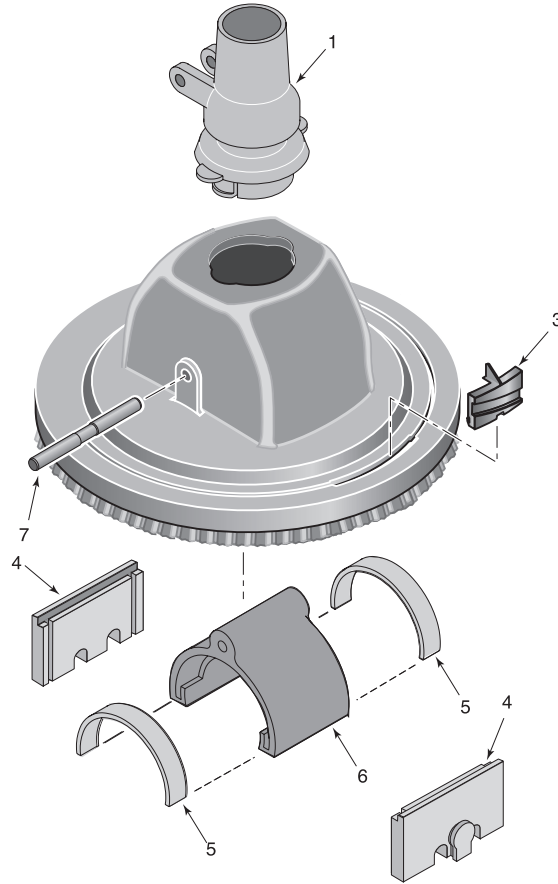


Item	Part No.	Qty.	Description	US List	Can. List
STEERING KIT (Incl. Item #'s 2,3,4, 24)					
	GW7505		Steering Kit For Model GW7500	40.54	45.40
	GW7515		Steering Kit For Model GW7700	38.41	43.02
	2	1	Swivel Housing	CALL	CALL
	3	1	Swivel	CALL	CALL
	4	1	Swivel Sprocket	CALL	CALL
	23	1	Clutch Clip	CALL	CALL
CLUTCH KIT (Includes Item #'s 5, 8, 21)					
	GW7503		Clutch Kit	31.95	35.78
	5	1	Oscillator Sleeve Bushing	CALL	CALL
	8	1	Oscillator Sleeve	CALL	CALL
	21	1	Clutch Assembly	CALL	CALL
GEAR KIT (Includes Item #'s 6, 10, 11, 17, 19, 20)					
	GW7504		Gear Kit	65.73	73.62
	6	1	Large Steering Drive Assembly	CALL	CALL
	10	2	Shaft Plug	CALL	CALL
	11	1	Long Sprocket Clip	CALL	CALL
	17	1	Drive Shaft Assembly	CALL	CALL
	19	1	Center Sprocket	CALL	CALL
	20	1	Short Sprocket Clip	CALL	CALL
OSCILLATOR KIT (Includes Item #'s 12, 13, 14)					
	GW7502		Oscillator Kit	19.84	22.22
	12	2	Small Sliding Seal	CALL	CALL
	13	1	Oscillator	CALL	CALL
	14	2	Large Sliding Seal	CALL	CALL

Item	Part No.	Qty.	Description	US List	Can. List
SEAL FLAP KIT (Includes Item #'s 15, 16)					
	GW7506			17.94	20.09
	15	1	Right Seal Flap	CALL	CALL
	16	1	Left Seal Flap	CALL	CALL
BUMPER KIT (Includes Item #'s 24, 25, 26, 27, 28)					
	GW7511		Bumper Kit For Model GW7700	32.43	36.32
	GW7501		Bumper Kit For Model GW7500	35.71	40.00
	24	1	Right Bumper Boot Clip	CALL	CALL
	25	1	Right Bumper Boot	CALL	CALL
	26	1	Bumper	CALL	CALL
	27	1	Left Bumper Boot	CALL	CALL
	28	1	Left Bumper Boot Clip	CALL	CALL
ACCESSORIES					
	18	41201-0242	Chassis with Pad For Model GW7500	117.92	132.07
	18	41201-0242C	Chassis with Pad For Model GW7700	117.92	132.07
NOT SHOWN					
	77705-0400	1	Accessory Kit	120.10	134.51
	GW9530	1	Vac Port Fitting	43.32	48.52
	GW9540	1	Short "Leader" Hose	22.77	25.50
	41200-0200		Valve Regulator Manual		
	41200-0209		Flow Gauge (yellow)		
	GW9015		Reducer Cone (velve)		
	GW7507		Hose, Replacement - 25 pieces, 1 meter in length	319.75	358.12

Kreepy Krauly 'Lil Shark™

Replacement Parts



Item	Part No.	Qty.	Description	US List	Can. List
LIL SHARK REPLACEMENT PARTS					
1	GW9012	1	Swivel Assembly	21.34	23.90
3	41100-0026	1	Ring Adjuster	6.25	7.00
4	41100-0027	1	Oscillator Impact Bumper (Pkg of 2)	9.41	10.54
5	GW9004	1	Oscillator Seals (Pkg of 2)	10.50	11.76
6	GW9003	1	Oscillator Kit (Includes Seals)	64.73	72.50
7	GW9002	1	Axle Shaft	15.24	17.07
NOT SHOWN					
	GW9014	1	Flow Director	16.43	18.40
	GW9018	1	Vacuum Regulator	18.85	21.11
	GW9015	1	Reducer Cone	16.86	18.88
	GW9019	1	Unidapt Handle	8.85	9.91
	GW9510	1	Replacement Hose Kit (Includes 1 each 20 ft., 8 ft. and 4 ft. Hose)	162.28	181.75

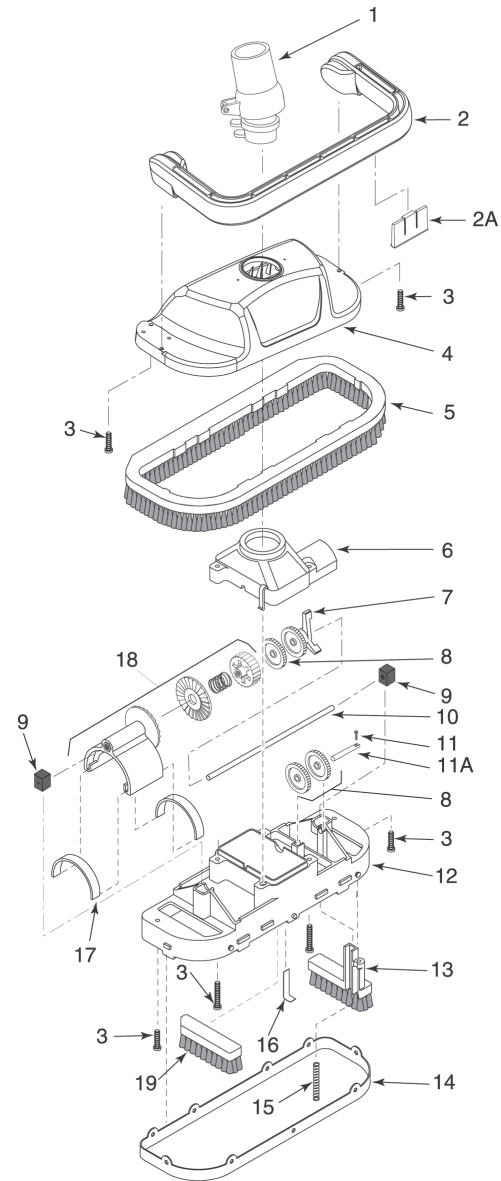
Note: If body fails, order GW8000.

Kreepy Krauly Great White®

Replacement Parts



Item	Part No.	Description	US List	Can. List
GREAT WHITE REPLACEMENT PARTS				
1	GW9012	Swivel Assembly	21.34	23.90
2	GW9502	Bumper	66.66	74.66
3	GW9504	Screw Kit (4 short, 2 long)	10.02	11.22
4	GW9501	Shroud	114.97	128.77
5	GW9505	Brush Ring Kit (Includes Vacuum Skirt)	78.41	87.82
6	GW9506	Oscillator Chamber Cap	33.34	37.34
7	GW9507	Cam Kit (2 & 3 Leg Cams)	23.51	26.33
8	GW9509	Idler Gear Kit (Includes 3 Gears)	23.34	26.14
9	GW9512	Block Kit (Includes 2 Blocks)	13.00	14.56
10	GW9513	Long Gear Shaft (Stainless Steel)	33.33	37.33
11A	GW9536	Shaft Kit (Stainless Steel) ¹	11.91	13.34
12	GW9535	Lower Body	83.96	94.04
13	GW9517	Lift Brush	26.65	29.85
14	GW9508	Vacuum Skirt	18.85	21.11
15	GW9522	Lift Brush Spring	8.57	9.60
16	GW9523	Ratchet Tab (Stainless Steel)	7.67	8.59
17	GW9004	Oscillator Assembly Kit (Includes 2 Seals)	10.50	11.76
18	GW9503	Oscillator Assembly Kit (Includes Key #17, Ratchet Ass'y not sold separately)	108.34	121.34
19	GW9013	Center Brush Kit (Set of 2)	30.23	33.86
NOT SHOWN				
	GW9527	Ratchet Tab Service Kit	13.14	14.72
	41200-0213	Vacuum Regulator and Cap	44.97	50.37
	GW9015	Reducer Cone	16.86	18.88
	GW9019	Unidapt Handle	8.85	9.91
	GW9530	Vac Port Fitting	43.32	48.52
	41200-0212	Flow Gauge	22.83	25.57
	41200-0130	Hose Sectional Kit with Leader, 40 ft.	189.94	212.73
	41200-0133	Hose, bulk pack 20, 1-1/2 in. M/F sections	259.98	291.18
	41200-0134	Hose bulk pack 12, leader sections	175.42	196.47



¹ Includes Set Screw (item #11).

