



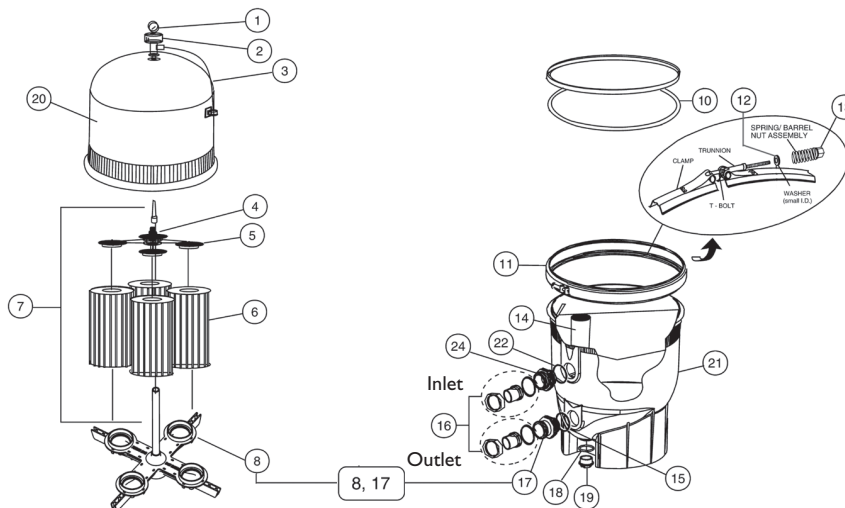
Filter Parts

Replacement Parts
for Filters



Clean & Clear® Plus Filters

Replacement Parts for Fiberglass Reinforced Polypropylene Tank



Item	Part No.	Description	US List	Can. List
CLEAN & CLEAR PLUS FILTERS				
1	190058	Gauge, pressure, 1/4 in.	34.18	38.28
2	98209800	High Flow manual air relief valve, HFMARV	27.29	30.56
4	56636900	Spring, compression ¹	20.13	22.55
4	178616	Spring, compression ²	5.13	5.75
5	170026	Manifold, top assembly, 240 sq. ft. ²	63.05	70.62
5	170027	Manifold, top assembly, 320, 420 & 520 sq. ft. ²	59.49	66.63
6	RI73572	Cartridge element, 240 sq. ft., 4 req.	84.16	94.26
6	RI73573	Cartridge element, 320 sq. ft., 4 req.	107.61	120.52
6	RI73576	Cartridge, 420 sq. ft., 4 req. ²	132.04	147.88
6	RI73578	Cartridge, 520 sq. ft., 4 req. ²	151.32	169.48
7	170030	Air bleed tube assembly, 240 sq. ft.	36.06	40.39
7	55028500	Air bleed tube assembly, 360, 420 sq. ft. ¹	68.00	76.16
7	170029	Air bleed tube assembly, 320 sq. ft. ²	36.59	40.98
7	170028	Air bleed tube assembly, 420 sq. ft. ²	37.17	41.63
7	55028400	Air bleed tube assembly, 500 sq. ft. ¹	52.49	58.79
7	178583	Air bleed tube assembly, 520 sq. ft. ²	36.06	40.39
8	170035	Manifold, bottom/pipe assembly, outlet ³	170.04	190.44
8	170040	Manifold, bottom ⁴	47.37	53.05
10	39010200	O-ring, clamp	45.77	51.26
11	190003	Clamp kit, tension control	253.93	284.40
12	53006300Z	Washer, .325 i.d. for filter clamp	1.63	1.83
12	195610	Washer, sm. i.d.	5.54	6.20
13	53108900	Spring/barrel nut assembly	37.95	42.50
14	190039	Baffle, bulkhead assembly ²	77.60	86.91
15	86006900	O-ring, bulkhead, lower	4.97	5.57
16	98960311	Bulkhead union, set ¹	50.87	56.97
16	271096	Bulkhead union, 1-1/2 in. x 2 in., set, white ²	48.53	54.35
16	270004	Bulkhead union, 1-1/2 in. x 2 in., set, black ²	51.29	57.44
16	270100	2 in. Adaptor kit, 2 in. x 2-1/2 in set, black ⁸	53.16	59.54

Item	Part No.	Description	US List	Can. List
17	170035	Pipe assembly, outlet/manifold, bottom (includes bulkhead 178575) ²	170.04	190.44
18	86300500	Drain cap gasket ¹	4.34	4.86
18	51005000	O-ring for drain plug ²	5.50	6.16
18	191474	O-ring for drain plug ⁸	0.74	0.83
19	51516200	Drain cap ¹	19.55	21.90
19	86202000	Plug, 1-1/2 in. drain with O-ring ²	15.16	16.98
19	190030	Cap plug ⁸	23.74	26.59
20	170023	Tank, lid assembly, 240 sq. ft.	189.92	212.71
20	170024	Tank, lid assembly, 320 sq. ft.	231.27	259.02
20	178581	Tank, lid assembly, 420 sq. ft. ²	264.33	296.05
20	178550	Tank, lid assembly, 500 sq. ft. ¹	260.49	291.75
20	178582	Tank, lid assembly, 520 sq. ft. ²	311.39	348.76
21	178578	Tank, bottom assembly ²	430.13	481.75
22	192320	O-ring, bulkhead, upper ²	3.02	3.38
22	86006900	O-ring, bulkhead, upper & lower ^{1,7}	4.97	5.57
23	195339	SS back-up ring ⁵	57.75	64.68
24	194801	Bulkhead, 2-3/8, 8 buttress thread ²	81.24	90.99
NOT SHOWN				
	192019	Drain plug wrench	39.55	44.30
	010126	Filter lid opener tool	CALL	CALL
	178708	Parts Bag - includes warranty card, instructions, and items 1, 2, and 16.	77.51	86.81

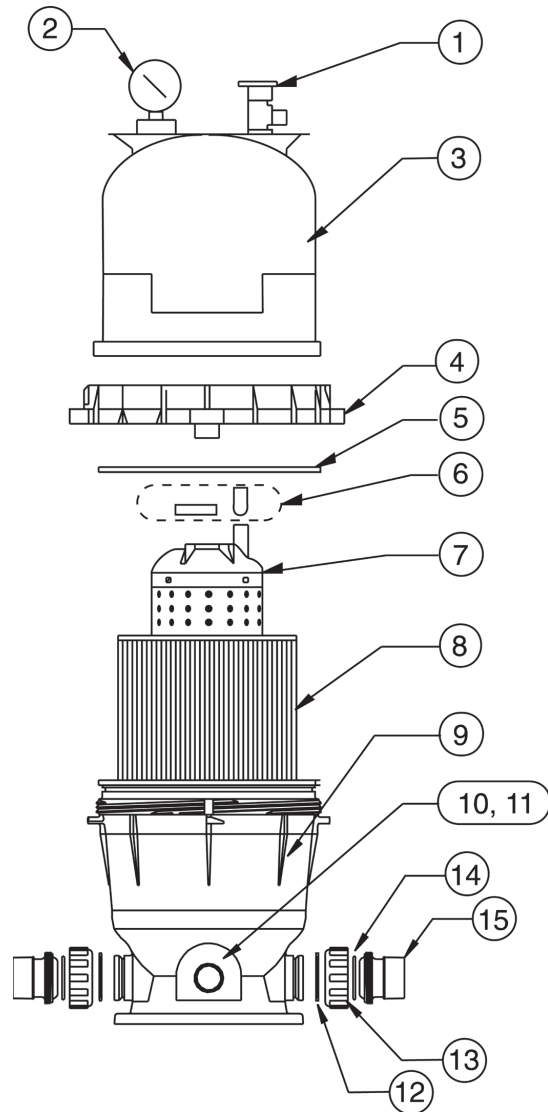
¹ Used on filters manufactured before 11/98.
² Used on filters manufactured after 11/98.
³ Used on filters manufactured between 11/98 thru 12/00.
⁴ Used on filters manufactured after 12/00.
⁵ Used on filters manufactured after 3/03.
⁶ Used on filters manufactured between 3/03, thru 7/11/03.
⁷ Used on filters manufactured after 10/04.
⁸ Used on filters manufactured after 5/21/05.

Clean & Clear®/Predator™ Filters

Replacement Parts for Fiberglass Reinforced Polypropylene Tank



Item	Part No.	Description	US List	Can. List
CLEAN & CLEAR / PREDATOR FILTERS				
1	98209800	High Flow manual air relief valve, HFMARV	26.53	29.71
2	190058	Gauge, pressure	33.23	37.22
3	178553	Lid, 50, 100 sq. ft., almond	123.80	138.66
3	178561	Lid, 75, 150, 200 sq. ft., almond	115.44	129.29
4	59052900	Locking ring assembly	75.97	85.09
5	87300400	Body O-ring	7.47	8.37
6	59016200	Air bleed sock kit	10.16	11.38
7	59053500	Center core 50 sq. ft.	90.04	100.84
7	59053600	Center core 75 sq. ft.	90.76	101.65
7	59053700	Center core 100 sq. ft.	105.80	118.50
7	59053800	Center core 150, 200 sq. ft.	162.15	181.61
8	R173213	Cartridge element 50 sq. ft.	73.22	82.01
8	R173214	Cartridge element 75 sq. ft.	94.87	106.25
8	R173215	Cartridge element 100 sq. ft.	116.37	130.33
8	R173216	Cartridge element 150 sq. ft.	153.32	171.72
8	R173217	Cartridge element 200 sq. ft.	191.37	214.33
9	178562	Bottom 50 sq. ft., almond	218.51	244.73
9	178554	Bottom 75 sq. ft., almond	217.18	243.24
9	178563	Bottom 100 sq. ft., almond	278.48	311.90
9	178560	Bottom 150, 200 sq. ft., almond	271.89	304.52
10	51516200	Drain cap ¹	19.01	21.29
10	86202000	Plug, 1-1/2 in. drain, w/O-ring ²	14.74	16.51
11	86300500	Drain cap gasket ¹	4.22	4.73
11	51005000	O-ring, drain cap ²	5.35	5.99
12	39104500	Union nut "C" clip	1.45	1.62
13	98212200	Union nut	8.40	9.41
14	071426	O-ring, union	1.24	1.39
15	79304600	Body, swivel	17.65	19.77

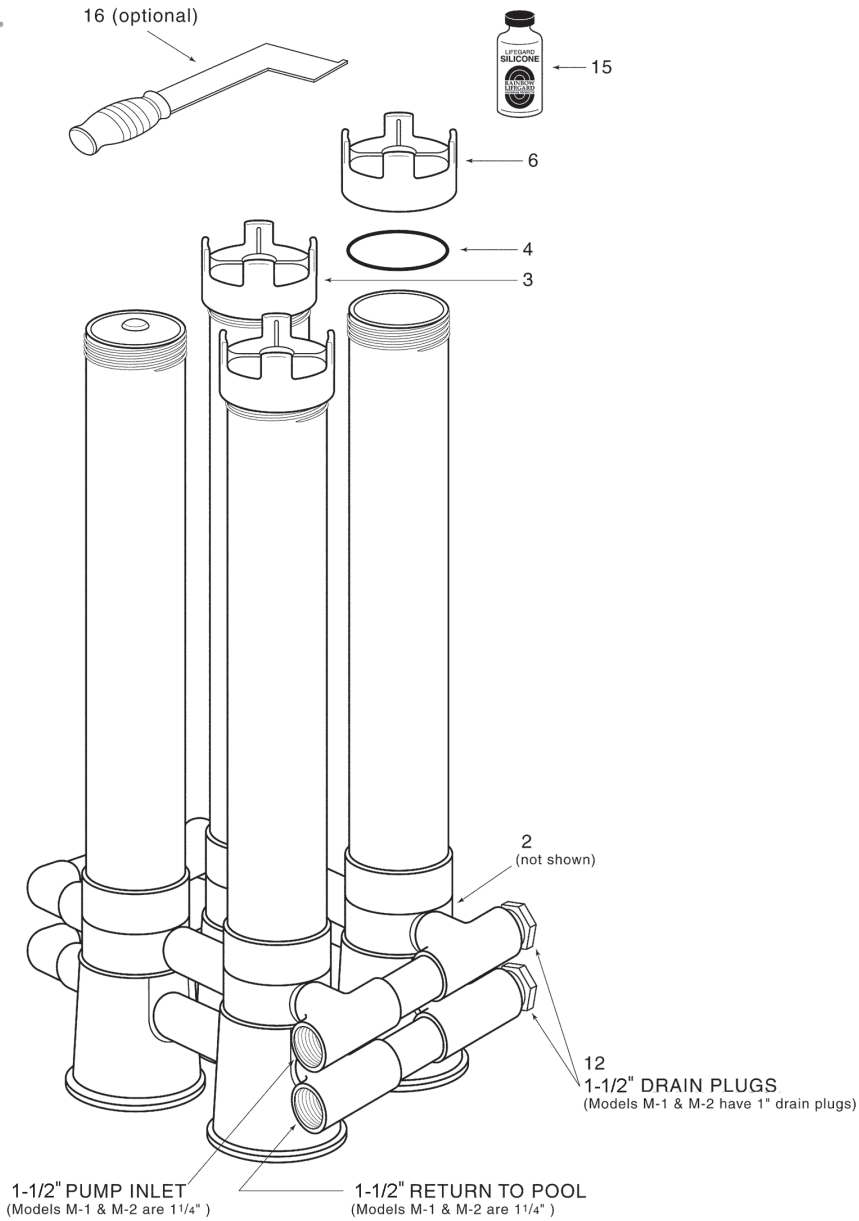


¹ Used on filters manufactured before 11/98.

² Used on filters manufactured after 11/98.

Standard and High Sq. Ft. Module Filters

Replacement Parts



Item	Part No.	Description	US List	Can. List
STANDARD AND HIGH SQ. FT. MODULE FILTERS				
1	RI72005	Stand pipe, 9-3/4 in.	5.69	6.37
2	RI72007	Plug, 1/4 in. NPT	4.68	5.24
3	RI72008	3 in. Threaded cap, brown	14.61	16.36
4	RI72009	O-ring, cap	5.51	6.17
6	RI72012	3 in. Thrd. cap, w/ 1/4 in. NPT hole	15.85	17.75
8	RI72014	Cartridge plug	1.94	2.17
9	RI72015	Gasket, neoprene	1.19	1.33
10	RI72016	Spring, SS	4.68	5.24
11	RI72017	Stand pipe, 29-1/4 in.	7.14	8.00
11A	RI72018	Stand pipe, 19-1/4 in.	6.94	7.77
15	RI72036	Silicone lubricant	7.95	8.90
16	RI72052	Cap wrench, optional	22.56	25.27

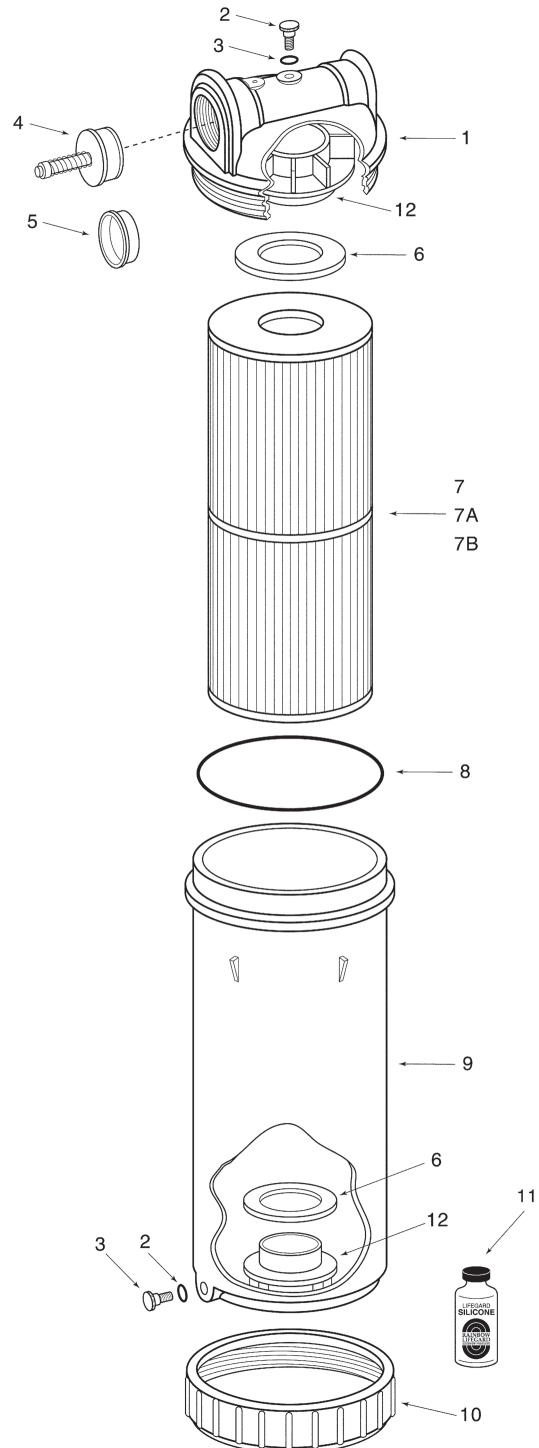
Dynamic® Series I - Model RDC

Replacement Parts

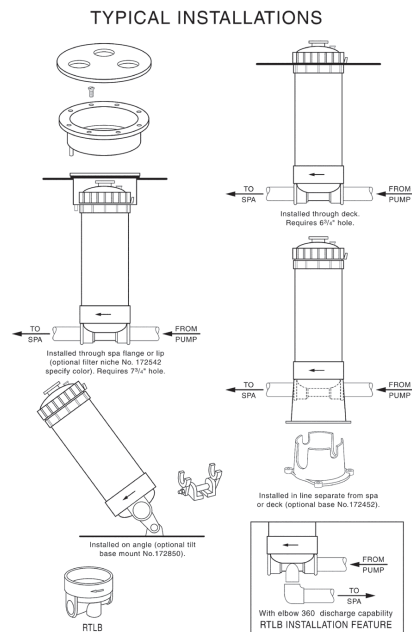
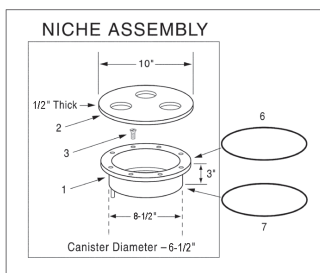
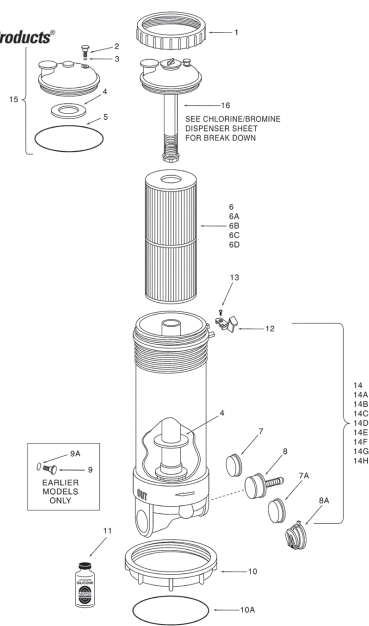


Item	Part No.	Qty.	Description	US List	Can. List
DYNAMIC SERIES I INLINE CARTRIDGE FILTER MODELS: RDC-25 & RDC-25S, RDC-50 & RDC-50S					
I	R172213	1	Manifold only, 1-1/2 in. FPT	20.28	22.71
I	R172213S	1	Manifold only, 1-1/2 in. socket	21.15	23.69
I	R172213XT	1	Manifold only, black, 1-1/2 in. FPT	20.19	22.61
I	R172213X	1	Manifold only, black, 1-1/2 in. socket	20.19	22.61
IA	R172213C	1	Complete manifold, 1-1/2 in. FPT ¹	27.59	30.90
IA	R172213SC	1	Complete manifold, 1-1/2 in. socket ¹	27.51	30.81
IA	R172213PT	1	Complete manifold, black, 1-1/2 in. FPT ¹	27.59	30.90
IA	R172213P	1	Complete manifold, black, 1-1/2 in. FPT ¹	27.59	30.90
2	R172224X	2	Drain and vent valve, black	4.68	5.24
3	R172221	2	O-ring for drain & vent valve	1.19	1.33
4	R172226X	1	By-pass assembly, black	3.42	3.83
5	R172225X	1	Plug to disable by-pass, black	1.19	1.33
6	R172222	2	Cartridge gasket	2.27	2.54
7	R173428	1	25 sq. ft. cartridge, 6 oz.	41.34	46.30
7B	R173434	1	Cartridge, 3 oz., 13-1/4 in., 50 sq. ft.	52.43	58.72
8	R172223	1	O-ring for cartridge housing	4.68	5.24
9	R172212	1	Cartridge housing	31.40	35.17
9	R172212X	1	Cartridge housing, black	31.40	35.17
10	R172214	1	Lock ring	13.95	15.62
11	R172036	Opt.	Silicone lubricant	7.95	8.90
12	R172232X	2	Support ring, black	1.19	1.33

¹ Complete manifold includes No. 1, No. 2, No. 3, No. 4, No. 6 and No. 12.



Dynamic® Series II & III RTL/RCF Replacement Parts



Item	Part No.	Qty.	Description	US List	Can. List
TOP LOAD IN LINE CARTRIDGE FILTER MODEL RTL/RCF 1-1/2 IN. & 2 IN. HIGH FLOW					
1	R172214	1	Lock ring	13.95	15.62
2	R172224X	1	Air vent valve	4.68	5.24
3	R172221	1	O-ring for air vent valve	1.19	1.33
4	R172222	2	Gasket, cartridge	2.27	2.54
5	R172223	1	O-ring lid to housing	4.68	5.24
6	R173428	1	25 sq. ft. cartridge, 6 oz. ¹	41.34	46.30
6A	R172327	1	25 sq. ft. cartridge, 3 oz. ¹	24.60	27.55
6B	R173434	1	50 sq. ft. cartridge ¹	52.43	58.72
6C	R173435	1	75 sq. ft. cartridge	64.66	72.42
6D	R172633	1	100 sq. ft. cartridge	75.03	84.03
7	R172225X	1	1-1/2 in. Plug to disable by-pass	1.19	1.33
7A	R172679	1	2 in. Plug to disable by-pass	4.68	5.24
8	R172226X	1	1-1/2 in. By-pass assembly	3.42	3.83
8A	R172684	1	2 in. By-pass assembly	7.46	8.36
8B	R172226XF	1	1-1/2 in. By-pass assembly, low flow	4.02	4.50
9	R172392	2	1/4 in. Access plug, earlier models	4.68	5.24
9A	R172393	2	Access plug O-ring, earlier models	4.68	5.24
10	R172370	1	Bottom locking flange	10.11	11.32
10A	R170070	Opt.	O-ring, locking flange	5.15	5.77
11	R172036	Opt.	Silicone lubricant	7.95	8.90
12	R172374	1	Lock spring	4.68	5.24
13	R172375	1	Lock screw	1.19	1.33
14	R172386	1	RTL/RCF-25 housing assembly 1-1/2 in., slip ²	69.95	78.34

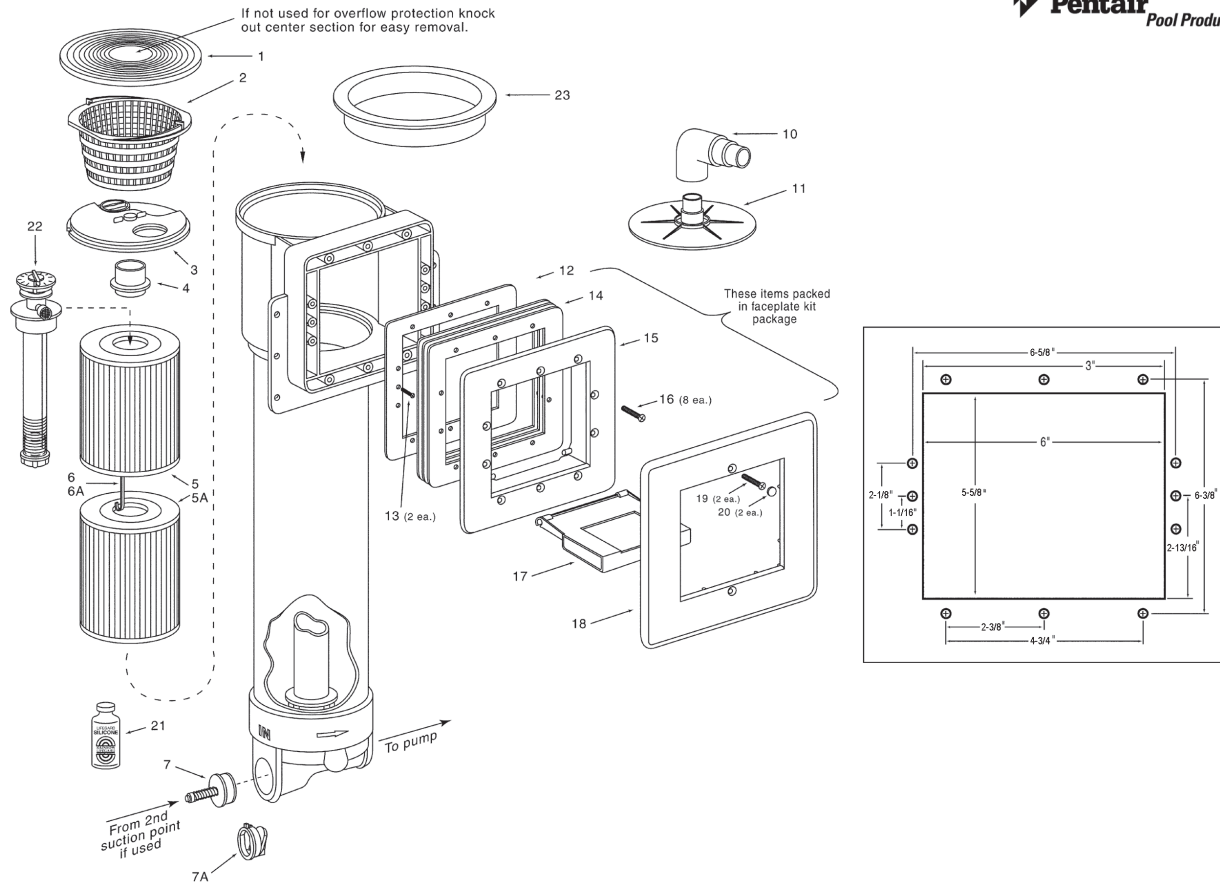
Item	Part No.	Qty.	Description	US List	Can. List
14A	R172387	1	RTL/RCF-25 housing assembly 1-1/2 in., FPT ²	69.95	78.34
14B	R172388	1	RTL/RCF-50 housing assembly 1-1/2 in., slip ²	69.95	78.34
14C	R172389	1	RTL/RCF-50 housing assembly, 1-1/2 in., FPT ²	69.94	78.33
14E	R172421	1	RTL/RCF-25 housing assembly, 2 in. slip ²	66.61	74.60
14F	R172428	1	RTL/RCF-50 housing assembly, 2 in. slip ²	66.61	74.60
14G	R172638	1	RTL/RCF-75 housing assembly, 2 in. slip ²	74.42	83.35
14H	R172639	1	RTL/RCF-100 housing assembly, 2 in. slip ²	74.42	83.35
15	R172385	1	Lid assembly, complete	20.74	23.23
16	R172540	1	Chlorine/bromine dispenser, complete, RCF	59.79	66.96
RTL AND RCF NICHE ASSEMBLY (R172542)					
1	R172610DG	1	Niche only, dark grey	12.12	13.57
1	R172610WH	1	Niche only, white	CALL	CALL
2	R172611BK	1	Niche cover, black	12.76	14.29
2	R172611SS	1	Niche cover, sterling silver	CALL	CALL
2	R172611WH	1	Niche cover, white	12.76	14.29
3	R172612	8	No. 10 x 3/4, SS flat head screw	1.19	1.33
4	R170072	Opt.	O-ring, niche to spa	5.67	6.35
5	R170070	Opt.	O-ring, filter to niche	5.15	5.77
NOT SHOWN					
	R172452	Opt.	Free standing base	9.74	10.91
	R170070	Opt.	O-ring, filter to niche	5.15	5.77
	R170072	Opt.	O-ring, niche to spa	5.67	6.35

¹ All three cartridges are interchangeable.

² Only one applies to your filter, check model number when ordering.

Note: Specify color of cover and niche desired by adding letters after part no., as follows: SS (sterling silver), WH (white), BLK (black).

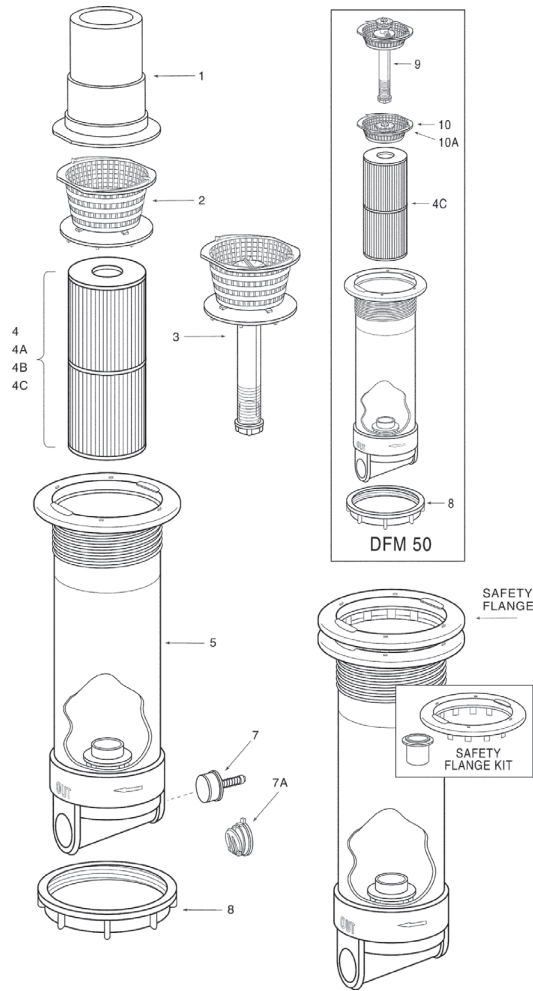
Dynamic® Series IV - Model DSF Replacement Parts



Item	Part No.	Qty.	Description	US List	Can. List
SKIM FILTER					
1	R172468	1	Cover	6.57	7.36
2	R172467	1	Basket assembly	4.68	5.24
3	R172466	1	Diverter plate assembly	15.43	17.28
4	R172465	1	Cartridge plug	4.55	5.10
6	R172477	1	Cartridge puller, DSF 50 only	4.55	5.10
6A	R172608	1	Cartridge puller, DSF 35 only	4.55	5.10
7	R172226X	1	By-pass assembly, 1-1/2 in.	3.42	3.83
7A	R172684	1	By-pass assembly, 2 in.	7.46	8.36
	R172393	2	O-ring, access plug, earlier models	4.68	5.24
	R172392	2	1/4 in. Access plug, earlier models	4.68	5.24
10	R172480	1	90° Vac plate adapter	7.53	8.43
11	R172479	1	Vac plate	4.68	5.24

Item	Part No.	Qty.	Description	US List	Can. List
FACE PLATE KIT					
12	R172470	1	Gasket-rear	4.68	5.24
13	R172475	2	Screw, 13-16 x 3/4 in. hi-lo pan head	1.19	1.33
14	R172471	1	Gasket-front face plate	4.68	5.24
15	R172472	1	Face plate	6.77	7.58
16	R172474	8	Screw, 13-16 x 1-1/4 in. hi-lo flat head	1.19	1.33
17	R172469	1	Weir gate assembly	7.78	8.71
18	R172473	1	Safety face plate cover, white	7.13	7.99
19	R172483	2	Screw, 13-16 x 1-5/8 in. hi-lo flat head	1.19	1.33
20	R172605	2	Screw hole plug	4.68	5.24
21	R172036	Opt.	Silicone lubricant	7.95	8.90
22	R172560	Opt.	DSF Chlorine/bromine dispenser	41.08	46.01

Dynamic® Series IV - DFM, DFML Replacement Parts

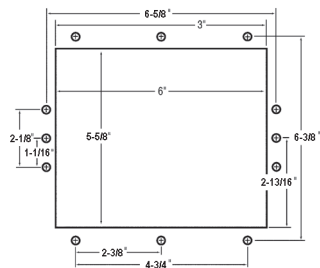
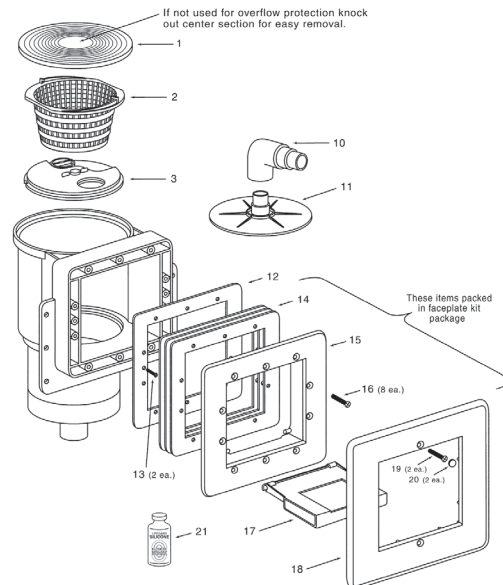
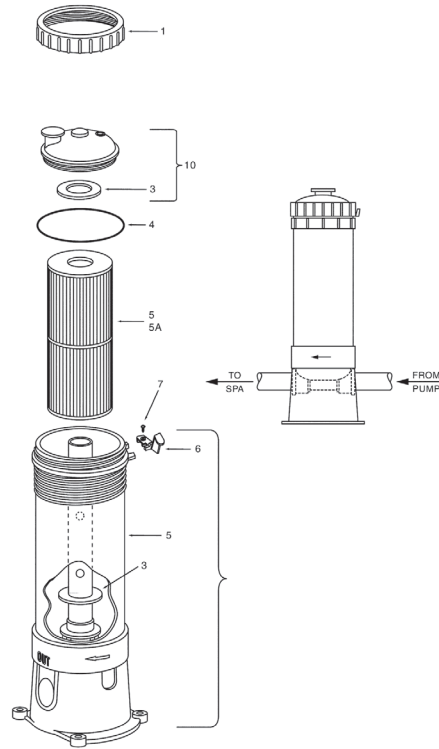


Item	Part No.	Qty.	Description	US List	Can. List
DFML 25C, 25, 35, 50 LILY PAD SKIM FILTER					
1	R172660	1	Lily skimmer float assembly	10.09	11.30
2	R172661	1	Lily basket w/restrictor assembly	11.76	13.17
3	R172662	1	Lily chemical dispenser w/basket and restrictor assembly	47.93	53.68
4A	R172327	1	Cartridge, 25 sq. ft., 13-1/4	24.60	27.55
4B	R173431	1	Cartridge, 35 sq. ft., 9-1/4	42.63	47.75
4C	R173434	1	Cartridge, 50 sq. ft., 13-1/4	52.43	58.72
5	R172665X	1	Housing only DFML-25 WH compact w/safety flange	80.27	89.90
7	R172682	1	2 in. By-pass assembly	5.67	6.35
8	R172370	1	Bottom locking flange	10.11	11.32
DFM 50 LOW PROFILE, NO WEIR					
9	R172562	1	Chemical dispenser w/short basket	49.15	55.05
10	R22113	1	Basket assembly, short	4.88	5.47
10A	R172686	Opt	Basket short w/restrictor assembly	12.55	14.06

Dynamic® Series V - DSC/SWS Safety Wall Skimmer Replacement Parts

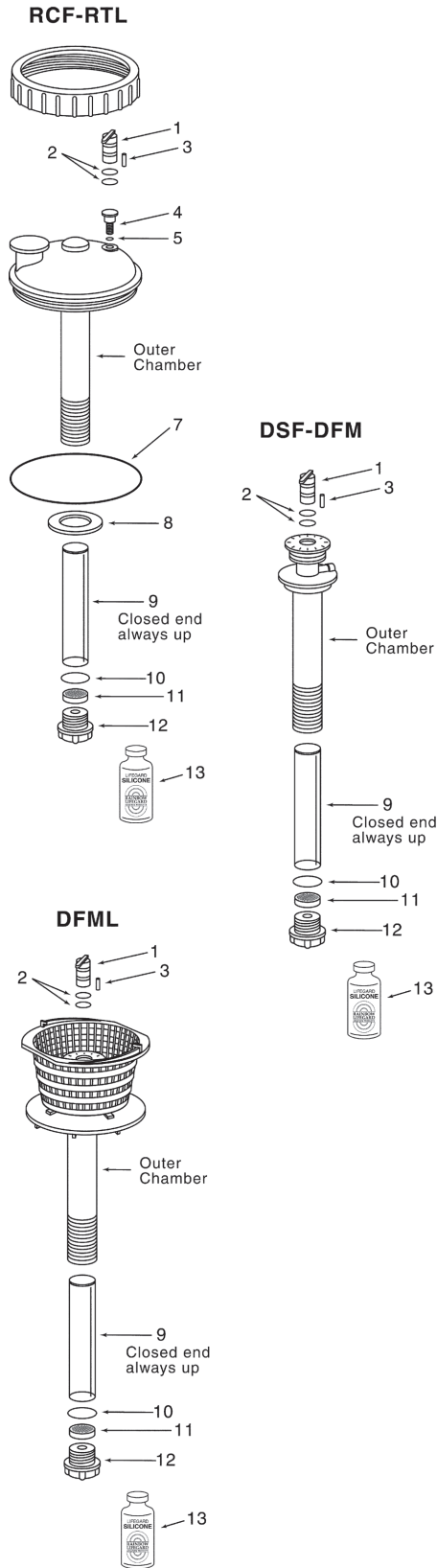


Item	Part No.	Qty.	Description	US List	Can. List
DSC 75, DSC 100 TOP LOAD IN LINE CARTRIDGE FILTER					
1	RI72214	1	Lock ring	13.95	15.62
3	RI72222	2	Gasket, cartridge	2.27	2.54
4	RI72223	1	O-ring, lid to housing	4.68	5.24
5	RI73435	1	75 sq. ft. cartridge	64.66	72.42
6	RI72374	1	Lock spring	4.68	5.24
7	RI72375	1	Lock screw	1.19	1.33
10	RI72385A	1	Lid assembly, complete	19.97	22.37
21	RI72036	Opt.	Silicone lubricant	7.95	8.90
SAFETY WALL SKIMMER					
1	RI72468	1	Cover	6.57	7.36
2	RI72467	1	Basket assembly	4.68	5.24
3	RI72466	1	Diverter plate assembly	15.43	17.28
10	RI72480	1	90° Vac plate adapter	7.53	8.43
11	RI72479	1	Vac plate	4.68	5.24
FACE PLATE KIT					
12	RI72470	1	Gasket, rear	4.68	5.24
13	RI72475	2	Screw, 13-16 x 3/4 in. hi-lo pan head	1.19	1.33
14	RI72471	1	Gasket, front face plate	4.68	5.24
15	RI72472	1	Face plate	6.77	7.58
16	RI72474	8	Screw, 13-16 x 1-1/4 in. hi-lo flat head	1.19	1.33
17	RI72469	1	Weir gate assembly	7.78	8.71
18	RI72473	1	Safety face plate cover, white	7.13	7.99
19	RI72483	2	Screw, 13-16 x 1-5/8 in. hi-lo flat head	1.19	1.33
20	RI72605	2	Screw hole plug	4.68	5.24
21	RI72036	Opt.	Silicone lubricant	7.95	8.90



Dynamic® Series Chlorine/Bromine Dispensers

Replacement Parts



Item	Part No.	Qty.	Description	US List	Can. List
CHLORINE/BROMINE DISPENSER (R172540/R172540F FOR RCF-RTL)					
1	R172399	1	Control valve stem	4.68	5.24
2	R33017	2	O-ring, control valve	0.31	0.35
3	R18854	1	Stop pin	1.19	1.33
4	R172224X	1	Air vent valve	4.68	5.24
5	R172221	1	O-ring for air vent valve	1.19	1.33
6	R172400	1	Inlet screen ¹	1.19	1.33
7	R172223	1	O-ring lid to housing	4.68	5.24
8	R172222	1	Gasket, cartridge	2.27	2.54
9	R172457	1	Replacement inner chamber	6.28	7.03
10	R172451	1	O-ring, check valve	1.19	1.33
11	R172401	1	Screen, check valve ¹	1.19	1.33
12	R172406	1	Check valve assembly	4.11	4.60
13	R172036	Opt.	Silicone lubricant	7.95	8.90
CHLORINE/BROMINE DISPENSER (R172560 FOR DSF-DFM)					
1	R172399	1	Control valve stem	4.68	5.24
2	R33017	2	O-ring, control valve	0.31	0.35
3	R18854	1	Stop pin	1.19	1.33
6	R172400	1	Inlet screen ¹	1.19	1.33
9	R172457	1	Replacement inner chamber	6.28	7.03
10	R172451	1	O-ring, check valve	1.19	1.33
11	R172401	1	Screen, check valve ¹	1.19	1.33
12	R172406	1	Check valve assembly	4.11	4.60
13	R172036	Opt.	Silicone lubricant	7.95	8.90
CHLORINE/BROMINE DISPENSER WITH BASKET (R172662 FOR DFML)					
1	R172399	1	Control valve stem	4.68	5.24
2	R33017	2	O-ring, control valve	0.31	0.35
3	R18854	1	Stop pin	1.19	1.33
6	R172400	1	Inlet screen ¹	1.19	1.33
9	R172457	1	Replacement inner chamber	6.28	7.03
10	R172451	1	O-ring, check valve	1.19	1.33
11	R172401	1	Screen, check valve ¹	1.19	1.33
12	R172406	1	Check valve assembly	4.11	4.60
13	R172036	Opt.	Silicone lubricant	7.95	8.90

¹ Item No. 6 and No. 11 screens are snapped into place and can easily be removed for cleaning or replacement.

System:3[®] Modular Media Filters

SM Series Replacement Parts



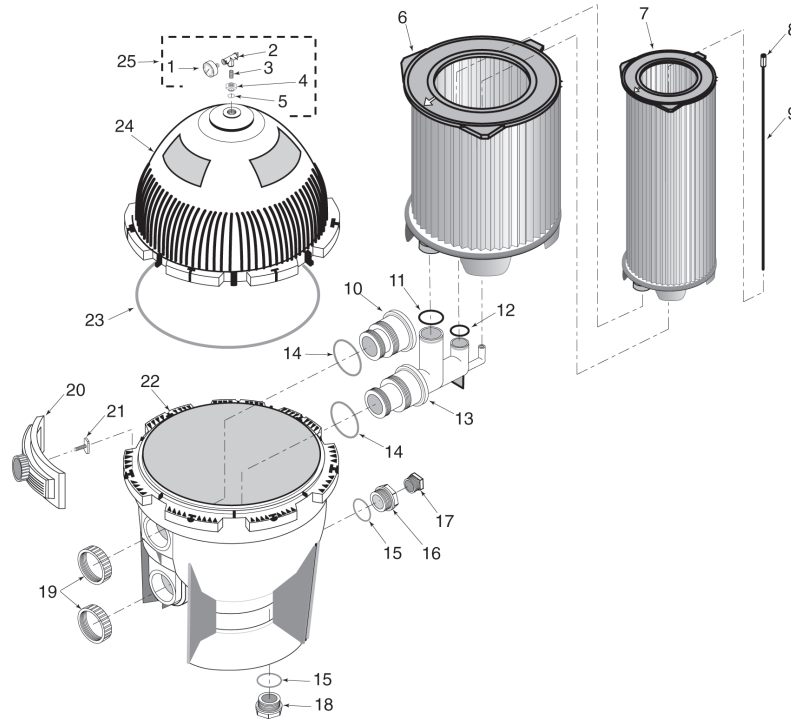
MODELS

S7M120

S7M400

S8M150

S8M500



Item	Part No.	Description	US List	Can. List
SYSTEM:3 MODULAR MEDIA FILTERS				
1	33600-0023T	2 in. Gauge	36.79	41.20
2	154687	Air Release Valve	38.46	43.08
3	35202-0959	Nipple	10.47	11.73
4	24900-0504	Adapter Bushing	13.97	15.65
5	35505-1423	O-Ring	1.49	1.67
6	25022-0201S	Large Cartridge (S7M120, 21 in. Filter)	425.84	476.94
6	25022-0224S	Large Cartridge (S7M400, 21 in. Filter)	582.80	652.74
6	25022-0203S	Large Cartridge (S8M150, 25 in. Filter)	577.34	646.62
6	25022-0225S	Large Cartridge (S8M500, 25 in. Filter)	596.45	668.02
7	25021-0200S	Small Cartridge (S7M120)	214.29	240.00
7	25021-0223S	Small Cartridge (S7M400)	237.49	265.99
7	25021-0202S	Small Cartridge (S8M150)	354.86	397.44
7	25021-0224S	Small Cartridge (S8M500)	428.57	480.00
8	25021-0004	Air Bleed Filter	CALL	CALL
9	25021-0003	Air Bleed Tube	7.52	8.42
10	25021-0101	Baffle and Bulkhead Fitting	55.59	62.26
11	35505-1428	O-Ring	4.32	4.84
12	35505-1429	O-Ring	3.47	3.89
13	25021-0100	Elbow and Bulkhead Assembly	82.78	92.71
14	35505-1425	O-Ring	11.55	12.94
15	35505-1424	O-Ring	6.95	7.78

Item	Part No.	Description	US List	Can. List
16	24900-0509	Adapter Fitting	CALL	CALL
17	27001-0022	1-1/2 in. NPT Plug	2.21	2.48
18	24900-0503	Drain Plug	21.34	23.90
19	24752-0050	Bulkhead Retaining Nut	18.45	20.66
20	24850-0200	Clamp Assembly ¹	97.65	109.37
21	24850-0010	Clamp Bolt ¹	23.66	26.50
22	24850-0102S	Lower Tank Half, 21 in. Filter	835.21	935.44
22	24851-0103S	Lower Tank Half, 25 in. Filter	943.69	1056.93
23	24850-0008	Cord Ring, 21 in. Filter	47.87	53.61
23	24850-0009	Cord Ring, 25 in. Filter	54.76	61.33
24	24851-9000	Upper Tank Half Kit, 21 in. Filter ²	747.94	837.69
24	24851-9001	Upper Tank Half Kit, 25 in. Filter ²	919.98	1030.38
25	24850-0105	Valve & Gauge Assembly (Includes #1, 2, 3, 4, 5)	74.75	83.72
NOT SHOWN				
	24850-0016	Clamp Retaining Ring ¹	5.04	5.64
	U212-252DS	Brass Deluxe Air Bleed (optional)	36.58	40.97
	U11-196PS	Adapter Union 2 in. Slip	7.14	8.00
	U11-200PS	Union Collar 2 in.	8.65	9.69
	PKG 188	2 in. Slip 1/2 Union Kit	24.18	27.08
	U9-362	O-Ring	4.32	4.84
	77702-0102	Air Vent Service Kit	CALL	CALL
	25021-0021	Modular media Conversion Kit (Includes #10, 11, 12, 13, 14, 19. Must also purchase item 6 and 7 separately)	239.24	267.95

¹ Model S7M120 requires 7 clamps and clamp bolts. Model S8M 150 requires 8 clamps and clamp bolts.

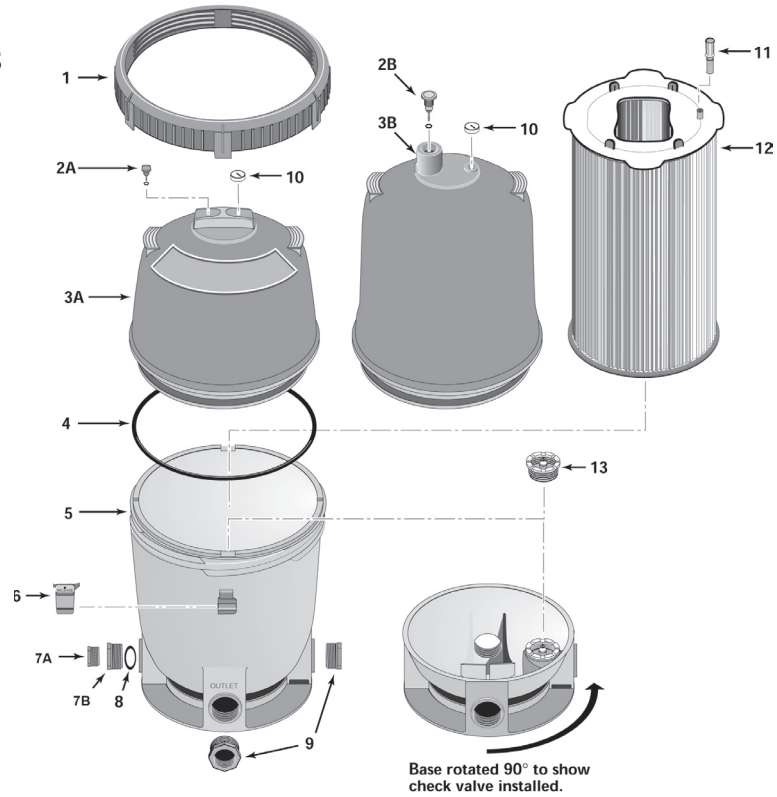
² Includes all decals and labels.

System:2™ Modular Media Filters

PLM Series Replacement Parts



MODELS
PLM100
PLM125
PLM150
PLM175
PLM200
PLM300



Item	Part No.	Description	US List	Can. List
SYSTEM:2 MODULAR MEDIA FILTERS				
1	27001-0054S	Posi-Lok™ ring	157.95	176.90
2	25010-0200	Air release valve assy.	4.44	4.97
3A	27001-0020S	Tank shell upper half ^{1,5} Models PLM100, PLM125, PLM150, PLM175, PLM200	236.56	264.95
3B	27001-0030S	Tank shell upper half ^{1,5} Model PLM300	372.10	416.75
4	27001-0061S	Cord-ring	41.22	46.17
4	27001-0060S	Cord-ring (Pre 3/97) Models PLM100, PLM150	40.84	45.74
5	27001-0009S	Tank shell lower half ^{4,5}	401.86	450.08
6	27001-0051	Safety latch for ring	11.12	12.45
7A	27001-0022	1-1/2 in. NPT plug	2.21	2.48
7B	24900-0510	Adapter fitting	21.48	24.06

Item	Part No.	Description	US List	Can. List
8	35505-1424	O-ring	6.95	7.78
9	U78-820P	2 in. x 1-1/2 in. Pipe reducer ²	10.18	11.40
10	15060-0000T	Pressure gauge ³	36.79	41.20
11	24800-0121	Air bleed assembly	13.71	15.36
12	27002-0100S	Filter module - Model PLM100	219.75	246.12
12	27002-0125S	Filter module - Model PLM125	264.79	296.56
12	27002-0150S	Filter module - Model PLM150	326.21	365.36
12	27002-0175S	Filter module - Model PLM175	367.14	411.20
12	27002-0200S	Filter module - Model PLM200	409.46	458.60
12	27002-0300S	Filter module - Model PLM300	526.84	590.06
13	27001-0130S	Spring check valve ²	17.15	19.21
NOT SHOWN				
	33455-1050	Spring check valve gasket	3.08	3.45

¹ Includes all decals and labels.

² Optional Equipment.

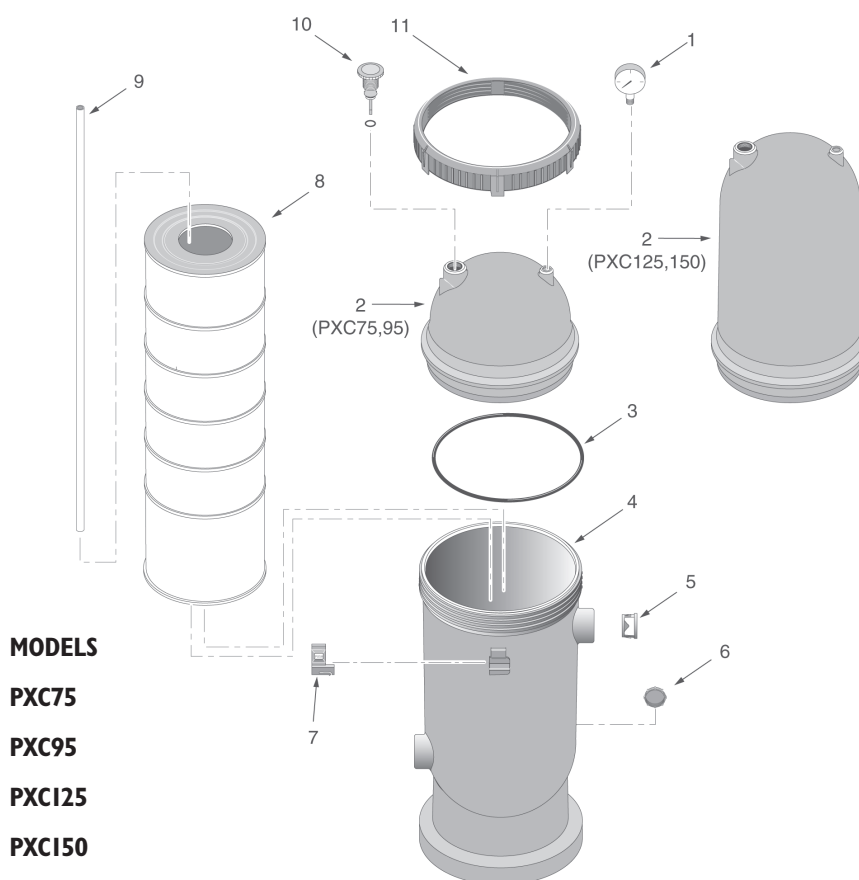
³ Shipped in accessory package.

⁴ Includes 24900-0510 adapter fitting, 27001-0051 safety latch, & 27001-0054 PosiLok™ ring.

⁵ Filters manufactured before 2005 should also purchase a top and bottom.

Posi-Clear™ Cartridge Filters

PXC Series Replacement Parts



MODELS
PXC75
PXC95
PXC125
PXC150

Item	Part No.	Description	US List	Can. List
POSI-CLEAR CARTRIDGE FILTERS				
1	15060-0000T	Pressure Gauge	36.79	41.20
2	25230-0102S	Filter Lid Assembly ¹ - Models PXC75, PXC95	276.43	309.60
2	25230-0103S	Filter Lid Assembly ¹ - Models PXC125, PXC150	331.69	371.49
3	25230-0010S	Tank O-Ring ³	15.06	16.87
4	25230-0001S	Tank Body ²	298.53	334.35
5	25230-0006	Water Diverter	3.90	4.37
6	32185-7074	Drain Cap with Gasket	5.03	5.63
7	25200-0007	Safety Latch	CALL	CALL
8	25230-0075S	Filter Cartridge - Model PXC75	104.00	116.48
8	25230-0095S	Filter Cartridge - Model PXC95	119.91	134.30
8	25230-0125S	Filter Cartridge - Model PXC125	153.29	171.68
8	25230-0150S	Filter Cartridge - Model PXC150	175.07	196.08
9	25230-0007	Air Bleed Tube - Models PXC75, PXC95	7.82	8.76
9	25230-0008	Air Bleed Tube - Models PXC125, PXC150	9.48	10.62
10	24206-0103S	Air Release Valve with O-Ring	8.05	9.02

¹ Includes items 2, 3 and 11.
² Includes items 4, 5, 6 and 7.
³ Includes silicone grease.

Posi-Flo® II Cartridge Filters

PTM Series Replacement Parts

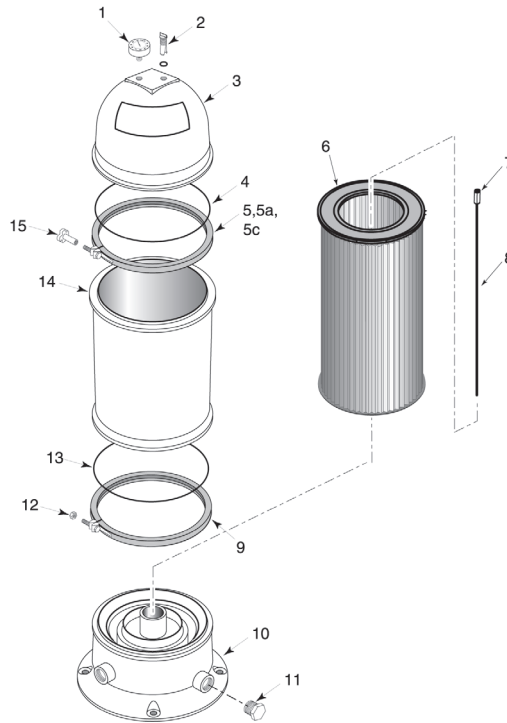


MODELS

PTM50

PTM70

PTMI00



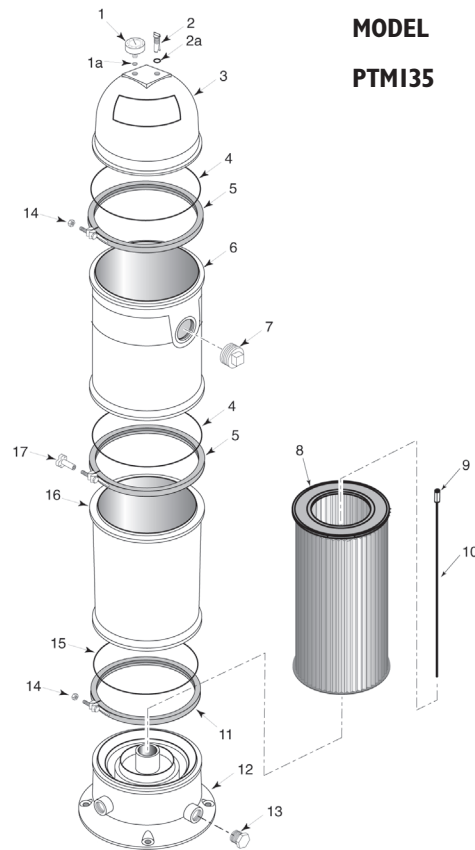
Item	Part No.	Description	US List	Can. List
POSI-FLO II CARTRIDGE FILTERS				
1	15060-0000T	Pressure Gauge	36.79	41.20
2	25010-0200	Air Release Valve with O-Ring	4.44	4.97
3	25010-9201	Lid Assembly (Includes Nos. 2 and Decals) - PTM 50, 70	204.52	229.06
3	25010-9202	Lid Assembly (Includes Nos. 2 and Decals) - PTM I00	276.21	309.36
4	25230-0010S	O-Ring ¹	15.06	16.87
5	25010-9101	Clamp	134.98	151.18
5A	WC27-19	Clamp Hazard Decal	CALL	CALL
6	WC108-56S2X	Filter Element - Model PTM50	81.01	90.73
6	WC108-57S2X	Filter Element - Model PTM70	98.02	109.78
6	WC108-58S2X	Filter Element - Model PTMI00	129.05	144.54
7	WC8-126Z	Filter - Air Bleed Tube (Black)	11.49	12.87
8	25010-0007	Air Bleed Tube - Models PTM50, PTM70	6.64	7.44
8	25010-0008	Air Bleed Tube - Model PTMI00	7.52	8.42
9	25010-9100	Clamp	124.26	139.17
10	WC104-78P	Base with Pipe Plugs	161.17	180.51
11	WC78-38T	Pipe Plug	5.50	6.16
12	WC36-1	Nut - Clamp	13.55	15.18
13	WC9-3	O-Ring ¹	22.76	25.49
14	25010-0001	Tank Body	232.75	260.68
15	WC36-22	Clamp Knob	10.52	11.78

¹ O-Rings, items 4 and 13 are not interchangeable.

Note: Posi-Flo II Replacement Kits available – 25010-9203 – For 35, 50 and 70 sq. ft. models. 25010-9204 – For 100 sq. ft. models (includes tank lid, tank body, clamps, O-Ring, air relief valve, and pressure gauge).

Posi-Flo® II Cartridge Filters (Cont'd)

PTM I35 Replacement Parts

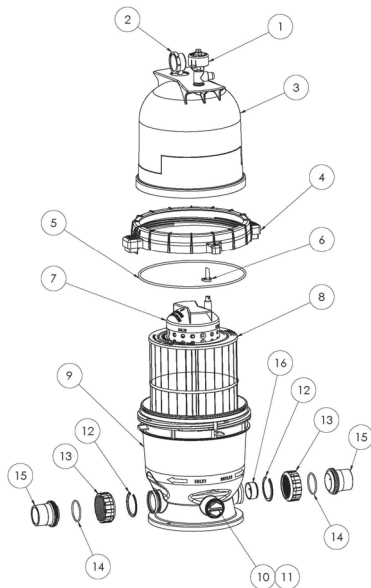


MODEL
PTMI35

Item	Part No.	Qty.	Description	US List	Can. List
POSI-FLO II CARTRIDGE FILTERS					
1A	WC8-72D	1	Screen	2.33	2.61
2	25010-0200	1	Air Release Valve w/O-Ring	4.44	4.97
2A	U9-359	1	O-Ring	CALL	CALL
3	25010-9201	1	Lid Assembly (Includes Nos. 2, 2A and Decals)	204.52	229.06
4	31935-0001	2	O-Ring	CALL	CALL
5	25010-9101	1	Clamp	134.98	151.18
6	25005-0001	1	Upper Tank Body	213.54	239.16
7	36305-5030	1	Plug	CALL	CALL
8	WC108-70S2X	1	Filter Element	165.07	184.88
9	WC8-35	1	Filter - Air Bleed Tube (Black)	CALL	CALL
10	25010-0010	1	Air Bleed Tube	7.62	8.53
11	25010-9100	1	Clamp	124.26	139.17
12	WC104-78P	1	Base with Pipe Plugs	161.17	180.51
13	WC78-38T	2	Pipe Plug	5.50	6.16
14	WC36-1	2	Nut - Clamp	13.55	15.18
15	WC9-3	1	O-Ring	22.76	25.49
16	25010-0001	1	Lower Tank Body	232.75	260.68
17	WC36-22	1	Clamp Knob	10.52	11.78
NOT SHOWN					
	U9-359	1	O-Ring	CALL	CALL

EasyClean™ D.E. Filters

Replacement Parts

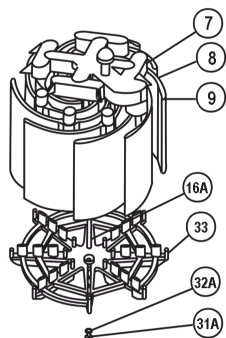
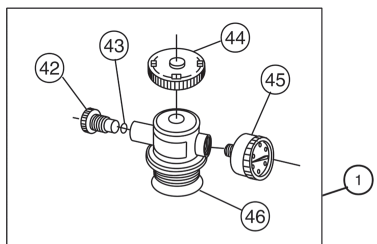


Item	Part No.	Description	US List	Can. List
EASYSOFT FILTER SYSTEMS				
1	98209800	High Flow Manual Relief Valve	27.29	30.56
2	190058	Pressure Gauge	34.18	38.28
3	178561	Lid, Almond	118.73	132.98
4	59052900	Locking Ring Assy	78.14	87.52
5	87300400	Body O-Ring	7.68	8.60
6	59016200	Air Bleed Sock Kit	10.45	11.70
7	59053600	Center Core, 60 GPM	93.35	104.55
8	196039	Cartridge Element, 60 GPM	120.00	134.40
8	196040	Cartridge Element, 90 GPM	176.21	197.36
9	178562	Tank Bottom, 60 GPM	224.74	251.71
9	178563	Tank Bottom, 90 GPM	286.42	320.79
10	86202000	Drain Cap with O-Ring	15.16	16.98
11	51005000	O-Ring (Drain Cap)	5.50	6.16
12	39104500	C-Clip (Union Nut)	1.49	1.67
13	98212200	Union Nut	8.64	9.68
14	071426	O-Ring Union	1.28	1.43
15	79304600	Body Swivel		
16	5156100	Check Valve Kit	CALL	CALL
NOT SHOWN				
	155151	Flex Hose Kit (6 ft.) *	81.18	90.92
	155005	Flex Hose Kit (12 ft.) *	107.13	119.99

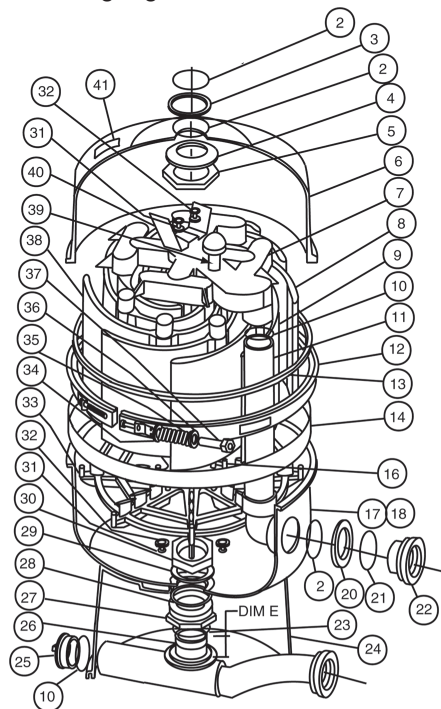
* Replacement Hose Kits include two (2) hoses, four (4) hose adapters and four (4) hose clamps.

FNS® Filters

Replacement Parts for Fiberglass Filters



Alternate grid assembly
using single rod - FNS 34, 36



Detail A, (after 12/1/91)
6 in. btr. thread.



Detail B, (before 12/1/91)
6 in. "V" thread.

Item	Part No.	Description	US List	Can. List
FNS FILTERS				
1	273550	Manual air relief	80.54	90.20
2	154492	O-ring, 2 in. bulkhead, 3 req.	2.07	2.32
3	273502	Spacer, top, black	5.13	5.75
4	273505	FNS spacer	5.13	5.75
5	154412	Bulkhead nut	7.81	8.75
6	195950	Tank, top FNS 24/36, tan, w/air relief ⁴	1113.93	1247.60
6	195951	Tank, top FNS 48, tan, w/air relief ⁴	1210.75	1356.04
6	195952	Tank, top 60, tan, w/air relief ⁴	1245.56	1395.03
6	195947	Tank, top FNS 24/36, black, w/air relief ⁴	1116.23	1250.18
6	195948	Tank, top FNS 48, black, w/air relief ⁴	1213.14	1358.72
6	195949	Tank, top FNS 60, black, w/air relief ⁴	1248.98	1398.86
6	195941	Tank, top FNS 24/36, black, w/ 2-3/8 in. hole ⁴	631.54	707.32
6	195942	Tank, top FNS 48, black, w/ 2-3/8 in. hole ⁴	1157.86	1296.80
6	195943	Tank, top FNS 60, black, w/ 2-3/8 in. hole ⁴	997.01	1116.65
7	192173	Manifold grid w/extension & air relief	113.28	126.87
8	59001100	Grid, full FNS 24, 12 in., 7 req.	19.22	21.53
8	59001800	Grid, full FNS 36, 18 in., 7 req.	23.48	26.30
8	59002400	Grid, full FNS 48, 24 in., 7 req.	29.43	32.96
8	59003000	Grid, full FNS 60, 30 in., 7 req.	36.80	41.22
9	59001000	Grid, partial FNS 24, 12 in., 1 req.	20.36	22.80
9	59001700	Grid, partial FNS 36, 18 in., 1 req.	25.00	28.00
9	59002300	Grid, partial FNS 48, 24 in., 1 req.	31.45	35.22
9	59002900	Grid, partial FNS 60, 30 in., 1 req.	37.74	42.27
10	192323	O-ring, 2 req.	5.01	5.61
11	195213	Piping assembly, upper FNS 24	59.61	66.76
11	195214	Piping assembly, upper FNS 36	62.72	70.25
11	195215	Piping assembly, upper FNS 48	72.03	80.67
11	195216	Piping assembly, upper FNS 60	69.55	77.90
12	195351	Band assembly, complete ²	311.93	349.36
13	195008	O-ring, tank	33.99	38.07
14	195337	Retainer, tank seal, 15/16 in. tall ³	30.10	33.71
16	192183	Rod, 15/16 in. x 21-1/2 in. manifold rtnr. FNS 36, 2 req.	50.73	56.82
16	192184	Rod, 15/16 in. x 27-1/2 in. manifold rtnr. FNS 48, 2 req.	60.31	67.55
16	192185	Rod, 15/16 in. x 33-1/2 in. manifold rtnr. FNS 60, 2 req.	71.84	80.46
16A	192141	Rod, 15/16 in. x 19 in. long, FNS 36	54.07	60.56
16A	192140	Rod, 15/16 in. x 13 in. long, FNS 24	42.24	47.31
17	195936	Tank bottom FNS 24, black, buttress thread	1130.59	1266.26
17	195935	Tank bottom FNS 36/48/60, black, buttress thread	1727.88	1935.23
17	195930	Tank bottom FNS 24, almond, buttress thread	1095.56	1227.03
17	195931	Tank bottom FNS 36/48/60, almond	789.72	884.49

FNS® Filters (Cont'd)

Replacement Parts for Fiberglass Filters



Item	Part No.	Description	US List	Can. List
FNS FILTERS				
18	195400	Tank bottom foot and piping FNS 24, black ⁸	1258.62	1409.65
18	195401	Tank bottom foot and piping FNS 36, black ⁸	1339.69	1500.45
18	195402	Tank bottom foot and piping FNS 48, black ⁸	1372.47	1537.17
18	195403	Tank bottom foot and piping FNS 60, black ⁸	1364.54	1528.28
18	195141	Tank bottom foot and piping FNS 24, tan ⁸	1200.81	1344.91
18	195142	Tank bottom foot and piping FNS 36, tan ⁸	1298.38	1454.19
18	195143	Tank bottom foot and piping FNS 48, tan ⁸	1372.23	1536.90
18	195144	Tank bottom foot and piping FNS 60, tan ⁸	1411.29	1580.64
20	194893	Spacer, 2 in. external	8.93	10.00
21	192320	O-ring, bulkhead - Before 10/04	3.02	3.38
21	86006900	O-ring, bulkhead - After 10/04	4.97	5.57
22	190141	Bulkhead, 2 in. ¹²	84.75	94.92
23	274494	O-ring, valve adapter, 2 req.	3.85	4.31
24	195153	Foot	98.06	109.83
25	195829	Plug, 2 in. NPSM	6.61	7.40
26	195308	Pipe assembly, lower, Dim E = 1-5/8 in. ⁵	88.11	98.68
27	195221	Adapter, 6 in. FNS butt thd., use w/ 195308 ^{6,7,9}	41.06	45.99
28	154494	O-ring adapter, 6 in.	3.34	3.74
29	195004	Washer, polyethylene	1.86	2.08
30	154412	Locknut, 2 in. internal	7.81	8.75
31	192013	Nut, 15/16 in., 16 SS, 4 req.	5.13	5.75
31A	192013	Nut, 15/16 in., 16 SS	5.13	5.75
32	174955Z	Washer 15/16 in. SS lock, 4 req.	2.95	3.30
32A	174955	Washer 15/16 in. SS lock	CALL	CALL
33	192194	Retainer grid	44.11	49.40
34	195610	Washer FN/INS sm. i.d., 2 req. ²	5.54	6.20
35	195612	Spring FNS/INS, 2 req. ²	19.55	21.90
36	195611	Washer FNS/INS lg. i.d., 2 req. ²	5.96	6.68
37	194997	Nut, machined, 2 req. ²	10.71	12.00
38	195182	Grid assembly, complete FNS 24, ¹⁰	548.82	614.68
38	195183	Grid assembly, complete FNS 36, ¹⁰	643.37	720.57
38	195086	Grid assembly, complete FNS 48, ¹⁰	764.21	855.92
38	195070	Grid assembly, complete FNS 60, ¹⁰	884.18	990.28
38	192340	Grid pack with O-ring FNS 24, ¹¹	413.80	463.46
38	192341	Grid pack with O-ring FNS 36, ¹¹	472.70	529.42
38	192342	Grid pack with O-ring FNS 48, ¹¹	601.86	674.08
38	192343	Grid pack with O-ring FNS 60, ¹¹	700.62	784.69
39	172855	Strainer, air vent 3/4 in. order w/(1), 192165 strnr.	19.59	21.94
42	273512	Bleeder screw	9.07	10.16
43	273513	O-ring bleeder	0.74	0.83
45	190059	Gauge, back mount pressure	34.18	38.28
46	154492	O-ring	2.07	2.32
NOT SHOWN				
	072173	Washer, 15/16 i.d. x 3/4 in. o.d.	1.40	1.57

¹ Filters manufactured before July 1, 1993 contain a bracket support, item 40 which prevented the grid assembly from being lifted off the standpipe under certain operating conditions. Current models have increased engagement between the manifold and the standpipe so that item 40 is no longer required.

² Filters manufactured before March 1, 1993 contain a different clamp band assembly, item 12. The correct P/N for these units is 181012. Filters manufactured before Sept. 1, 1992 contain a different non-spring design. Clamp components such as nuts, washers or bolts are no longer available for these non-spring design clamps. Do not attempt to interchange components between spring design and non-spring design clamps.

³ Filters manufactured before March 1, 1993 contain a different retainer, item 14 which is 5/8 in. tall.

⁴ Filters manufactured before March 1, 1993 contain a different tank top assembly which is no longer available. Replacement of tank top assembly may be accomplished by ordering the following current production items: Tank top assembly, item 6, retainer, item 14 and bank assembly, item 12.

⁵ Filters manufactured before Oct. 1, 1992 utilize a different lower piping assembly P/N 195107. Lower piping P/N 195107 fits 6 in. adapters P/N 195219 and P/N 195225 only. Dimension "E" for P/N 195107 is 2-1/2 in.

⁶ Filters manufactured before Nov. 1, 1991 utilize a different 6 in. bottom adapter P/N 195219. This item has a different thread design and will not interchange with adapter P/N 195221 or P/N 195225. Adapter P/N 195219 fits lower piping P/N 195107 only.

⁷ Filters manufactured between Nov. 1, 1991 and Oct. 1, 1992 utilize a different 6 in. bottom adapter P/N 195225. Adapter P/N 195225 fits lower piping P/N 195107 only. Adapter P/N 195225 may be replaced with current design closure only if current low piping P/N 195308 is used.

⁸ Filters manufactured before Nov. 1, 1991 utilize a different tank bottom with "V" thread bottom opening which is no longer available. These bottoms may be replaced with item 18 tank bottom with foot and lower piping.

⁹ Use RTV silicone on threads for item 27.

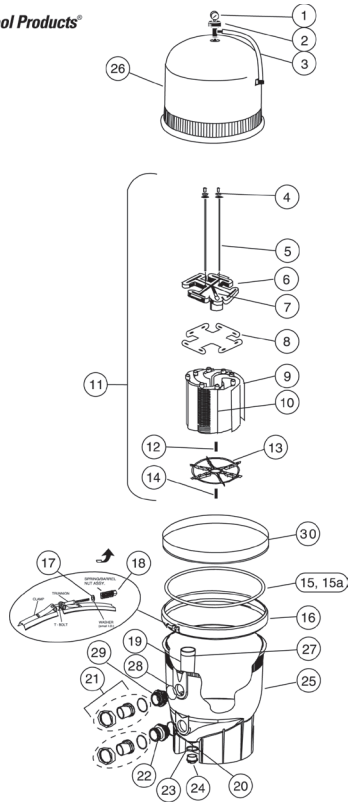
¹⁰ Complete grid assembly consists of items 7, 8, 9, 16, 31, 32, 33 and 39 in correct quantities as shown.

¹¹ Grid pack consists of items 8, 9, and 10 in correct quantities as shown.

¹² For Filter built after 10/2004. Order # 11 for filters built before 10/2004.

FNS® Plus Filters

Replacement Parts for Vertical Grid Filters



Item	Part No.	Description	US List	Can. List
FNS PLUS FILTERS				
1	190058	Gauge, pressure	34.18	38.28
2	98209800	High Flow manual air relief valve, HFMARV	27.29	30.56
4	071404Z	Wing nut	3.75	4.20
5	59000800	Tie rod, 24 sq. ft. filter	29.22	32.73
5	59001500	Tie rod, 36 sq. ft. filter	32.20	36.06
5	59002100	Tie rod, 48 sq. ft. filter	35.17	39.39
5	59002700	Tie rod, 60 sq. ft. filter	35.17	39.39
6	59023700	Manifold, top w/air bleed	117.91	132.06
7	190092	Internal air bleed assembly	21.37	23.93
8	98725800	Template, filter	6.11	6.84
9	59001100	Grid, lg. 12 in., 24 sq. ft. filter, 7 req.	19.22	21.53
9	59001800	Grid, lg. 18 in., 36 sq. ft. filter, 7 req.	23.48	26.30
9	59002400	Grid, lg. 24 in., 48 sq. ft. filter, 7 req.	29.43	32.96
9	59003000	Grid, lg. 30 in., 60 sq. ft. filter, 7 req.	36.80	41.22
10	59001000	Grid, sm. 12 in., 24 sq. ft. filter, 1 req.	20.36	22.80
10	59002300	Grid, sm. 24 in., 48 sq. ft. filter, 1 req.	31.45	35.22
10	59002900	Grid, sm. 30 in., 60 sq. ft. filter, 1 req.	37.74	42.27
10	59001700	Grid, sm. 18 in., 36 sq. ft. filter, 1 req.	25.00	28.00
11	59023800	Assembly, element grid, complete, 24 sq. ft. filter	374.02	418.90
11	59023500	Assembly, element grid, complete, 36 sq. ft. filter	333.45	373.46

Item	Part No.	Description	US List	Can. List
FNS PLUS FILTERS				
11	59023400	Assembly, element grid, complete, - 48 sq. ft. filter	366.85	410.87
11	59023300	Assembly, element grid, complete, - 60 sq. ft. filter	400.15	448.17
12	98211400	Nut, 1/4-20, plated brass	2.03	2.27
13	59000500	Spider, grid locator	63.05	70.62
14	58001000	Nut, lock, hex, nylon	1.70	1.90
15	39010200	O-ring, tank clamp, .470 O.D.	45.77	51.26
16	190003	Clamp, kit	253.93	284.40
17	195610Z	Washer, .325 i.d. for filter clamp	CALL	CALL
18	53108900	Spring/barrel nut assembly	37.95	42.50
19	190034	Assembly, standpipe, outlet, 24 sq. ft. filter, 4-3/8 in. tall	51.29	57.44
19	190035	Assembly, standpipe, outlet, 36 sq. ft. filter, 10-3/8 in. tall	54.98	61.58
19	190036	Assembly, standpipe, outlet, 48 sq. ft. filter, 16-3/8 in. tall	63.58	71.21
19	190037	Assembly, standpipe, outlet, 60 sq. ft. filter, 22-3/8 in. tall	59.90	67.09
20	86006900	O-ring, bulkhead	4.97	5.57
21	271096	Bulkhead union, set	48.53	54.35
21	270100	Valve Adapter Kit, 2 in. Black	53.16	59.54
22	190043	Assembly, pipe, inlet, includes bulkhead	85.13	95.35
23	51005000	O-ring for drain plug	5.50	6.16
23	191474	O-ring for drain plug ³	0.74	0.83
24	86202000	Plug, 1-1/2 in. drain, w/O-ring	15.16	16.98
24	190030	Cap drain ³	23.74	26.59
25	170015	Tank bottom, assembly, 24 sq. ft. filter	404.78	453.35
25	170016	Tank bottom, assembly, 36 sq. ft. filter	401.49	449.67
25	170017	Tank bottom, assembly, 48 sq. ft. filter	405.44	454.09
25	170018	Tank bottom, assembly, 60 sq. ft. filter	407.30	456.18
26	170019	Tank lid, 24 sq. ft. filter	188.23	210.82
26	170020	Tank lid, 36 sq. ft. filter	229.32	256.84
26	170021	Tank lid, 48 sq. ft. filter	277.65	310.97
26	170022	Tank lid, 60 sq. ft. filter	323.82	362.68
27	59000600	O-ring, bulkhead	4.97	5.57
28	192320	O-ring 2-137 Buna N 70SH ¹	3.02	3.38
28	86006900	O-ring bulkhead ²	4.97	5.57
29	190141	Bulkhead Kit, 2 in. w/O-ring ²	84.75	94.92
30	195339	SS back-up ring ⁴	57.75	64.68
NOT SHOWN				
	192019	Wrench, drain plug	39.55	44.30
	196019	Parts Bag (Includes warranty card, instruction book, and items 1 and 2)	CALL	CALL

¹ Used on filters manufactured before 10/04.

² Used on filters manufactured after 10/04.

³ Used on filters manufactured after 5/21/05.

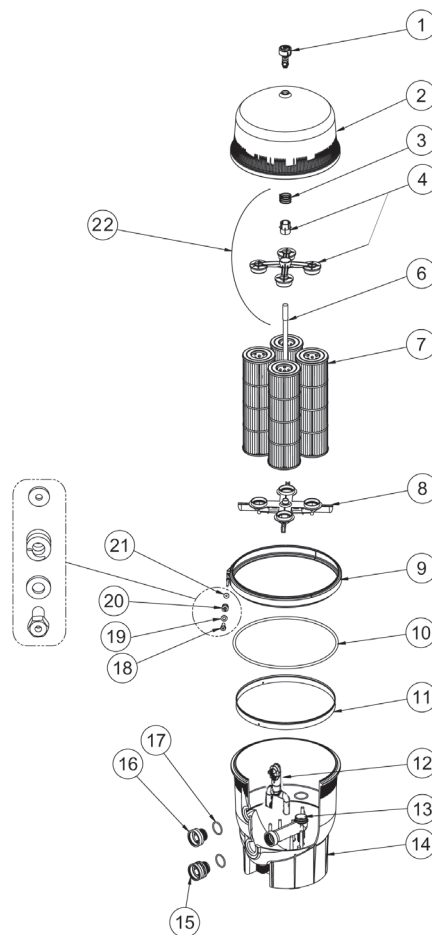
⁴ Used on filters manufactured after 2/03.

Quad D.E.[®] Filters

Replacement Parts

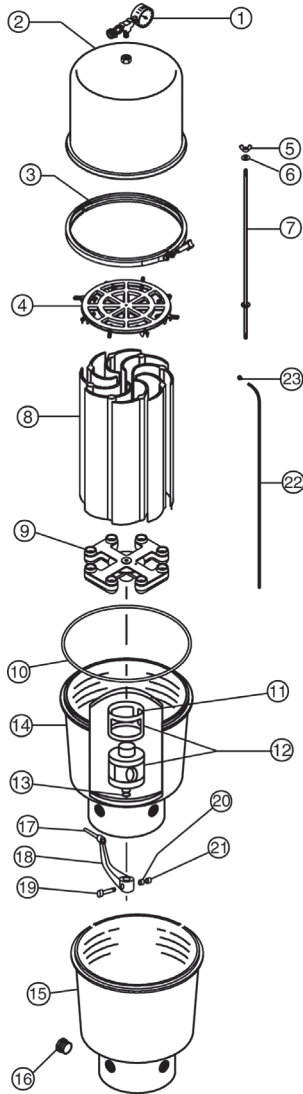


Item	Part No.	Description	US List	Can. List
QUAD D.E. FILTERS				
1	98220100	Assy. Manual air relief valve	CALL	CALL
2	170024	Lid, Quad 60	231.27	259.02
2	178581	Lid, Quad 80	264.33	296.05
2	178582	Lid, Quad 100	311.39	348.76
3	178616	Spring compression	5.13	5.75
4	170026	Manifold top with short Adapter	63.05	70.62
6	170029	Air bleeder assy., Quad 60	36.59	40.98
6	170028	Air bleeder assy., Quad 80	37.17	41.63
6	178583	Air bleeder assy., Quad 100	36.06	40.39
7	178656	Cartridge, Quad 100	221.79	248.40
7	178655	Cartridge, Quad 80	186.02	208.34
7	178654	Cartridge, Quad 60	100.17	112.19
8	170059	Manifold assy. Bottom	131.60	147.39
9	195351	Clamp RPM flt finished	311.93	349.36
10	39010200	O-ring RPM tank clamp	45.77	51.26
11	195339	Ring back-up - FNS Pls	57.75	64.68
12	1960245	Divertor Assembly, Retro Kit	77.59	86.90
13	170036	Pipe outlet - RPM fltr	74.48	83.42
14	178578	Bottom tank w/drain plug 7-1/2 in.	430.13	481.75
15	178575	Bulkhead bottom	19.47	21.81
16	194801	Bulkhead - 2-3/8-8 butt	81.24	90.99
17	86006900	O-ring 2-329 bulkhead RPM	4.97	5.57
18	194997	Nut - Spl	10.71	12.00
19	195611	Washer - lg id	5.96	6.68
20	195612	Spring	19.55	21.90
21	195610	Washer - sm id	5.54	6.20
22	170026	Top Manifold Assembly	63.05	70.62
NOT SHOWN				
	270100	Adapter Kit - 2 in. x 2-1/2	53.16	59.54
	190030	Drain Plug Assembly	23.74	26.59
	178711	Parts Bag - includes warranty card, instruction Book, Adapter Kit (270100) and Pressure Gauge (190058)		



SM & SMBW 4000 Series™ Filters

Replacement Parts for Sheet Molded Filters



Did you know that...if you order a tapered rotor seal and attempt to install it into a straight sided casting, the seal will be cut. If you install a straight seal in a tapered casting, the valve will leak. The tapered seal can be identified by a mark on each of the vertical legs signifying the top of the seal. Since the straight seals are not directional, they have no marks on the vertical legs. The tapered seal P/N is 071720. The straight seal P/N is 071719, which we no longer manufacture. Both 2000/4000 series filters with backwash now use the same Noryl rotor and the tapered seal. The product number for the rotor and seal assembly P/N is 073370. Tapered castings have a letter "T" stamped into the underside of the middle, pump port. Don't confuse this with a letter "T" in felt pen, which means the assembly has been pressure tested.

Item	Part No.	Description	US List	Can. List
SM & SMBW 4000 SERIES FILTERS				
1	073027	Complete gauge assembly includes: ³	88.52	99.14
	98209800	Hi Flow Air Relief ⁴	27.29	30.56
	190059	Gauge, 1/4 in., 60 lbs.	34.18	38.28
	071982	Tee, 1/4 bass	9.47	10.61
	071390	Nipple, plastic, 1/4 in.	5.13	5.75
	075207Z	Valve air release, 1/4 in.	7.31	8.19
	273550	Manual air relief 4060	80.54	90.20
	154412	Nut, 2 in., 4060 only	7.81	8.75
2	197134	Lid SM/SMBW 4024 replacement	495.28	554.71
2	197135	Lid SM/SMBW 4036 replacement	409.54	458.68
2	197136Z	Lid SM/SMBW 4048 replacement	CALL	CALL
2	197137	Lid SM/SMBW 4060 replacement	594.63	665.99
3	197020	Clamp ring assembly	268.80	301.06
3	076033	Knob clamping band ²	10.00	11.20
3	071136	Knob clamping band ¹	CALL	CALL
4	071019Z	Holding wheel 4024, 4036, 4048	27.59	30.90
4	197120	Holding wheel 4060	31.42	35.19
5	071404Z	Nut wing, 1/4 in. 20 SS	3.75	4.20
6	072173	Washer 5/16 in. i.d. x 3/4 in. o.d.	1.40	1.57
7	072870	Center rod SM/SMBW 4024 21 in.	34.65	38.81
7	072869	Center rod SM/SMBW 4036 27 in.	30.52	34.18
7	072880	Center rod SM/SMBW 4048 33 in.	31.50	35.28
7	072867	Center rod SM/SMBW 4060 39 in.	33.32	37.32
8	074922	Element 4024 12 in., 8 req.	21.81	24.43
8	074923	Element 4036 18 in., 8 req.	29.03	32.51
8	074924	Element 4048 24 in., 8 req.	36.41	40.78
8	074925	Element 4060 30 in., 8 req.	43.72	48.97
9	073270Z	Manifold 2000/4000 series 8 holes	21.75	24.36
10	071439	O-ring, 4000 series lid	55.02	61.62
11	071720	Seal BW valve rotor tapered	15.29	17.12
12	073370	Rotor valve Noryl w/seal, includes No. 11 & 13	116.06	129.99
13	JV18	O-ring 2113	0.89	1.00
14	197130	Tank bottom, SMBW	485.68	543.96
15	197126	Tank bottom, SM	683.54	765.56
16	071559	Plug PVC 2 in., SM only	7.93	8.88
17	190026	Handle SMBW rotor SS	CALL	CALL
18	070971	Handle extension BW, brass	109.88	123.07
19	070979	Handle stud bolt SS, 1/4-20 x 1-3/4 in.	1.28	1.43
20	072172	Washer lock, 1/4 in. SS	0.20	0.22
21	071406	Nut, 1/4-20 SS hex	1.24	1.39
22	075279	Vent tube 1/4 in., 46 in. all models	10.71	12.00
23	073691	Vent tube screen cap	CALL	CALL
NOT SHOWN				
	010126	Filter lid opener tool	CALL	CALL

¹ Used on filters manufactured before 1998.

² Used on filters manufactured after 1998.

³ Used on filters manufactured before 1999.

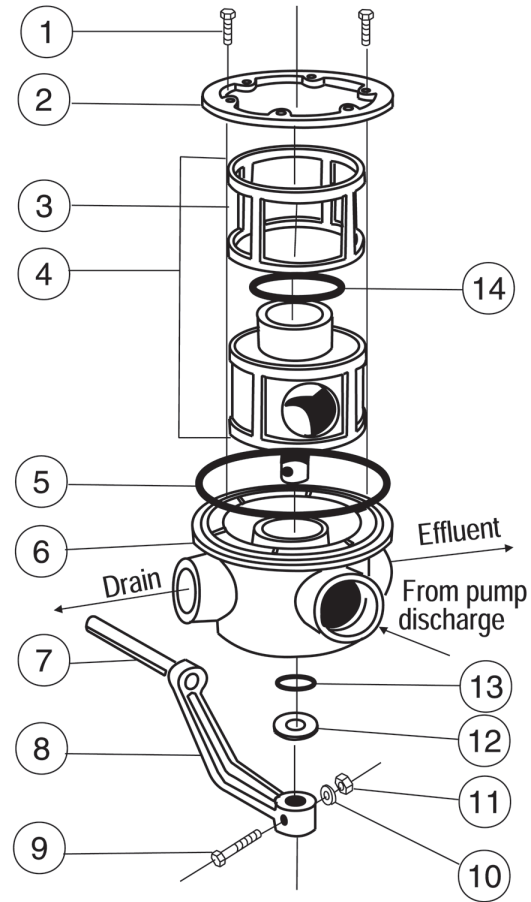
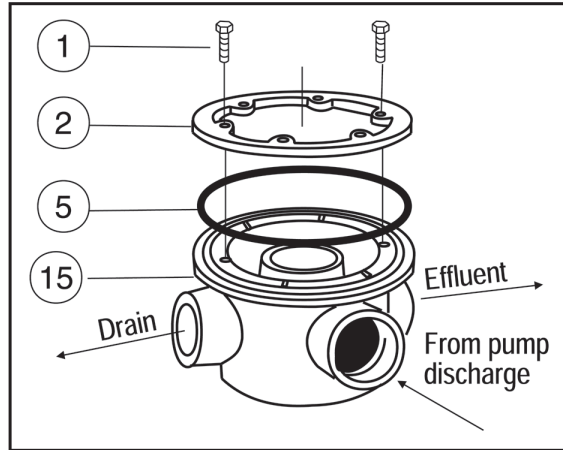
⁴ Used on filters manufactured after 1999.

SM & SMBW 2000 Series™ Valves

Replacement Parts



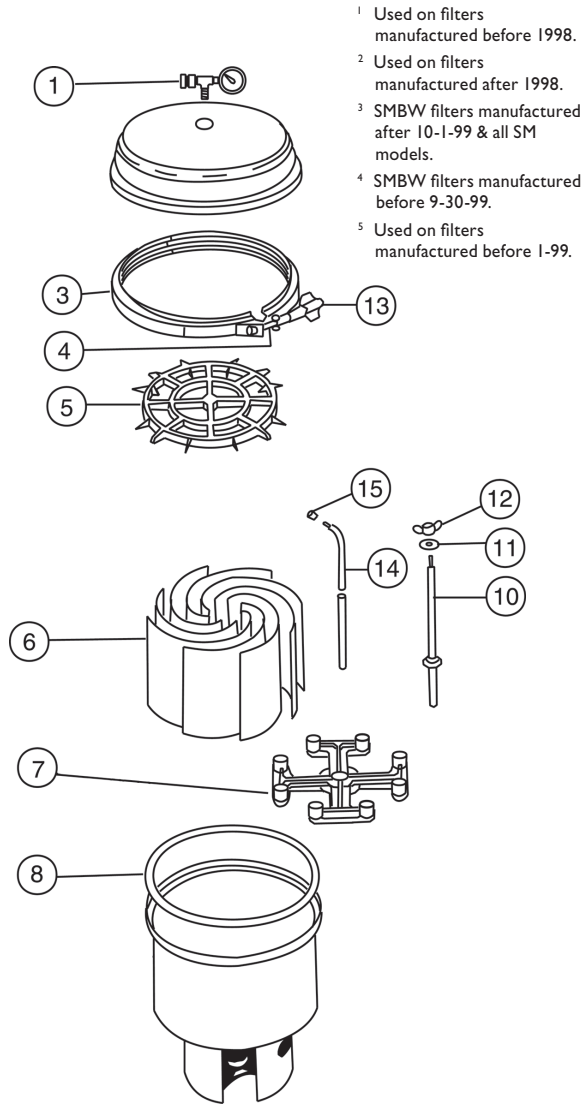
Item	Part No.	Description	US List	Can. List
SM & SMBW 2000 SERIES VALVES				
	073462	Valve BW with Noryl rotor, complete	757.17	848.03
1	074927	Screw, 1/4-20 x 5/8 in. HH SS, 6 req.	1.24	1.39
2	070731Z	Compression ring	73.28	82.07
3	071720	Seal, BW valve rotor tapered	15.29	17.12
4	073370	Rotor valve, Noryl w/tapered seal	116.06	129.99
5	071427	O-ring 2-259 valve, 3 port	4.89	5.48
6	072112	Valve body, brass mach., 2 in. thread	CALL	CALL
7	190026	Handle SMBW rotor SS	CALL	CALL
8	070971	Handle extension BW brass	109.88	123.07
9	070979	Handle stud bolt, 1/4-20 x 1-3/4 SS	1.28	1.43
10	072172	Washer lock, 1/4 in. SS	0.20	0.22
11	071406	Nut, 1/4-20 SS hex	1.24	1.39
12	072166	Washer BW spacer	3.51	3.93
13	JV18	O-ring Buna-N 2-113 rotor shaft	0.89	1.00
14	071426	O-ring 2-228 collar & rotor	1.28	1.43
15	072901	Collector brass 3 port 2 in. SM series threaded	616.71	690.72



Did you know that...if you order a tapered rotor seal and attempt to install it into a straight sided casting, the seal will be cut. If you install a straight seal in a tapered casting, the valve will leak. The tapered seal can be identified by a mark on each of the vertical legs signifying the top of the seal. Since the straight seals are not directional, they have no marks on the vertical legs. The tapered seal P/N is 071720. The straight seal P/N is 071719, which we no longer manufacture. Both 2000/4000 series filters with backwash now use the same Noryl rotor and the tapered seal. The product number for the rotor and seal assembly P/N is 073370. Tapered castings have a letter "T" stamped into the underside of the middle, pump port. Don't confuse this with a letter "T" in felt pen, which means the assembly has been pressure tested.

SM & SMBW 2000 Series™ Filters

Replacement Parts for Stainless Steel Filters



- ¹ Used on filters manufactured before 1998.
- ² Used on filters manufactured after 1998.
- ³ SMBW filters manufactured after 10-1-99 & all SM models.
- ⁴ SMBW filters manufactured before 9-30-99.
- ⁵ Used on filters manufactured before 1-99.

Item	Part No.	Description	US List	Can. List
------	----------	-------------	---------	-----------

SM & SMBW 2000 SERIES FILTERS				
B. Pk	075210	Valve air release 1/4 in., 100 ct. bulk	788.72	883.37
3	072898	Clamp ring 2000 knob style inclds. No. 4 & No. 13	174.89	195.88
4	070428Z	Bolt T 1/4, 20 x 3-1/2 in. ⁵	9.23	10.34
5	071019Z	Holding wheel 2000	27.59	30.90
6	074922	Element 2024, 8 req. /1018 12 in., 6 req.	21.81	24.43
6	074923	Element 2036, 8 req. /1027 18 in., 6 req.	29.03	32.51
6	074924	Element 2048, 8 req. /1036 24 in., 6 req.	36.41	40.78
6	074925	Element 2060, 8 req. /1045 30 in., 6 req.	43.72	48.97
6	074926	Element 2072, 8 req. /1054 36 in., 6 req.	49.71	55.68
7	073270Z	Manifold 2000 series, 8 hole	21.75	24.36
8	071442Z	O-ring, channel 2000 with red line	38.51	43.13

Note: Center rods for SMD 2024, S03410 & SMD 2036, S03411 are no longer available.

10	072870	Center rod staked bw 1018/2024, Noryl rotor 21 in., ⁴ white	34.65	38.81
10	072869	Center rod staked bw 1027/2036, Noryl rotor 27 in., ⁴ white	30.52	34.18
10	072868	Center rod staked bw 1036/2048, Noryl rotor 33 in., ⁴ white	31.29	35.04
10	072867	Center rod staked bw 1045/2060, Noryl rotor 39 in., ⁴ white	33.32	37.32
10	073661	Center rod staked bw 1036/2048, brass rotor 33 in., blue	31.50	35.28
10	073660	Center rod staked bw 1045/2060, brass rotor 39 in., blue	27.82	31.16
11	072173	Washer 5/16 i.d. x o.d. SS	1.40	1.57
12	071404Z	Nut wing 8200.30, 1/4 in., 20 SS	3.75	4.20
13	071136Z	Knob, plastic ¹	18.34	20.54
13	076033	Knob, plastic ²	10.00	11.20
14	075279	Vent tube, 46 in.	10.71	12.00
15	073691	Vent tube screen cap	CALL	CALL

Item	Part No.	Description	US List	Can. List
SM & SMBW 2000 SERIES FILTERS				
I	073207	Accessory bag 8200.80 includes:	CALL	CALL
	190059	Gauge 1/4 in. 60 lbs.	34.18	38.28
	071982	Tee 1/4 in. brass	9.47	10.61
	071389	Nipple brass 1/4 in.	5.13	5.75
	010126	Lid opener tool	CALL	CALL
	075207Z	Valve air release 1/4 in., Replaces 072113	7.31	8.19

Nautilus® Plus Filters

Replacement Parts for Stainless Steel Filters

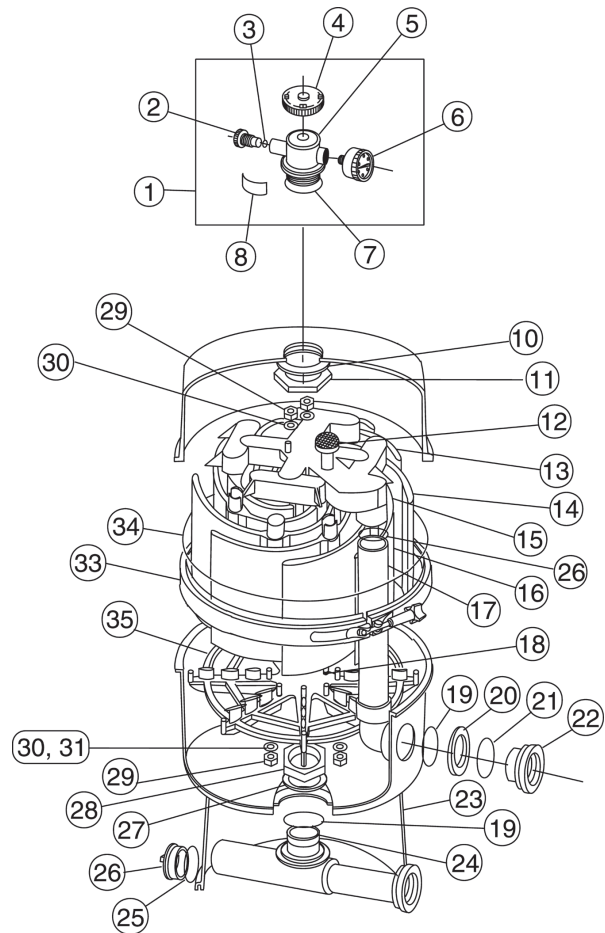


Item	Part No.	Description	US List	Can. List
NAUTILUS PLUS FILTERS				
1	273550	Air relief assembly	80.54	90.20
2	273512	Bleeder	9.07	10.16
3	273513	O-ring bleeder	0.74	0.83
5	273550	Value body, machined	80.54	90.20
6	190059	Pressure gauge	34.18	38.28
7	154492	O-ring	2.07	2.32
8	272546	Label, warning	0.89	1.00
10	273505	Spacer	5.13	5.75
11	154412	Bulkhead nut	7.81	8.75
12	172855	Strainer, air vent	19.59	21.94
13	192193	Manifold grid complete	100.29	112.32
14	59001000	Grid, partial NSP-24, 1 req.	20.36	22.80
14	59001700	Grid, partial NSP-36, 1 req.	25.00	28.00
14	59002300	Grid, partial NSP-48, 1 req.	31.45	35.22
14	59002900	Grid, partial NSP-60, 1 req.	37.74	42.27
14	59003500	Grid, partial NSP-72, 1 req.	47.52	53.22
15	59001100	Grid, full NSP-24, 7 req.	19.22	21.53
15	59001800	Grid, full NSP-36, 7 req.	23.48	26.30
15	59002400	Grid, full NSP-48, 7 req.	29.43	32.96
15	59003000	Grid, full NSP-60, 7 req.	36.80	41.22
15	59003600	Grid, full NSP-72, 7 req.	45.79	51.28
16	192324	Grid assy, complete NSP-24	423.22	474.01
16	192325	Grid assy, complete NSP-36	CALL	CALL
16	192326	Grid assy, complete NSP-48	631.66	707.46
16	192327	Grid assy, complete NSP-60	751.56	841.75
16	195060	Grid assy, complete NSP-72	871.62	976.21
17	194981	Piping assy, upper NSP-24	54.94	61.53
17	194983	Piping assy, upper NSP-48	36.80	41.22
17	194984	Piping assy, upper NSP-60	38.98	43.66
17	194985	Piping assy, upper NSP-72	41.54	46.52
18	192183	Rod, 5/16 in. x 19 in. manifold, 2 req. rtnr. NSP-36	50.73	56.82
18	192184	Rod, 5/16 in. x 27-1/2 in. manifold, 2 req. rtnr. NSP-18	60.31	67.55
18	192185	Rod, 5/16 in. x 33-1/2 in. manifold, 2 req. rtnr. NSP-60	71.84	80.46
18	195002	Rod, 5/16 in. x 39-1/2 in. manifold, 2 req. rtnr. NSP-72	77.89	87.24
19	154492	O-ring, 2 in. bulkhead	2.07	2.32
20	194893	Spacer, 2 in. external	8.93	10.00
21	86006900	O-ring, bulkhead - After 10/04	4.97	5.57
21	192320	O-ring, bulkhead - Before 10/04	3.02	3.38
22	190141	O-ring	84.75	94.92
23	154722	Foot, NSP/PF	83.76	93.81
24	194913	Piping assembly lower w/drain	57.43	64.32
25	192323	O-ring	5.01	5.61

Item	Part No.	Description	US List	Can. List
NAUTILUS PLUS FILTERS				
26	195829	Plug, 2 in. drain	6.61	7.40
27	154747	Spacer, 2.8 in. dia. x 1/4 in. PVC	3.19	3.57
28	154412	Locknut 2 in. internal	7.81	8.75
29	192013	Nut, 5/16 in. SS, 4 req.	5.13	5.75
30	072173	Washer, 5/16 in. SS flat, 2 req.	1.40	1.57
31	174955Z	Washer, 5/16 in. SS lock, 4 req.	2.95	3.30
33	191805	Clamp ring, assembly, includes:	240.20	269.02
	076033	Knob ²	10.00	11.20
	071136Z	Knob ¹	18.34	20.54
	070428Z	T-bolt ¹	9.23	10.34
34	071442Z	O-ring	38.51	43.13
35	192194	Retainer/baffle grid	44.11	49.40

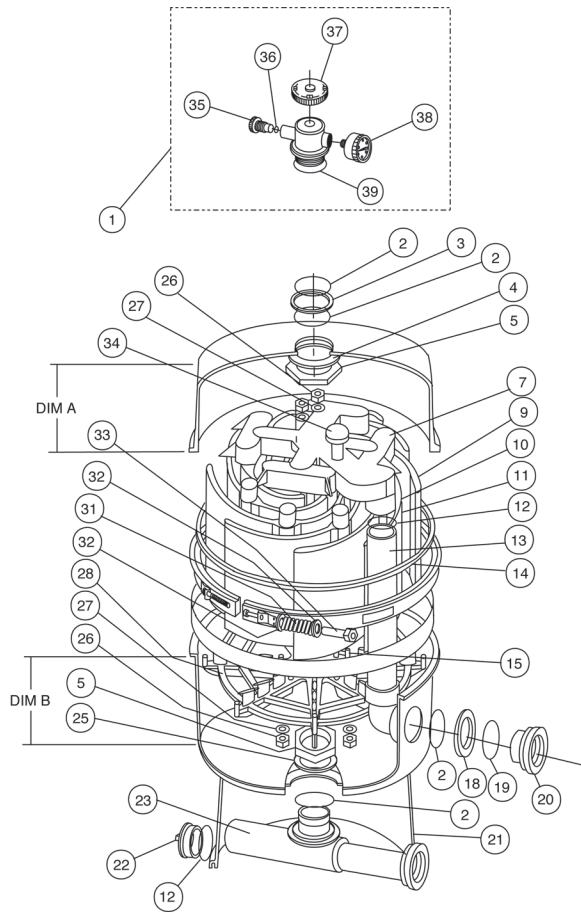
¹ Used on filters manufactured before 1-99.

² Used on filters manufactured after 1-99.



Nautilus® Filters

Replacement Parts for Stainless Steel Filters



Item	Part No.	Description	US List	Can. List
NAUTILUS FILTERS				
1	261003	Automatic air relief assembly	94.96	106.36
2	274494	O-ring, 2 in. bulkhead, 4 req.	3.85	4.31
3	273502	Spacer, top black	5.13	5.75
4	273505	FNS spacer	5.13	5.75
5	154412	Locknut 2 in. internal	7.81	8.75
7	192193	Manifold grid, complete	100.29	112.32
9	59001000	Grid, partial NS24 12 in., 1 req.	20.36	22.80
9	59001700	Grid, partial NS36 18 in., 1 req.	25.00	28.00
9	59002300	Grid, partial NS48 24 in., 1 req.	31.45	35.22
9	59002900	Grid, partial NS60 30 in., 1 req.	37.74	42.27
9	59003500	Grid, partial NS72 36 in., 1 req.	47.52	53.22
10	59001100	Grid, full NS24 12 in., 7 req.	19.22	21.53
10	59001800	Grid, full NS36 18 in., 7 req.	23.48	26.30
10	59002400	Grid, full NS48 24 in., 7 req.	29.43	32.96
10	59003000	Grid, full NS60 30 in., 7 req.	36.80	41.22
10	59003600	Grid, full NS72 36 in., 7 req.	45.79	51.28
11	192324	Grid assembly, complete NS24 ¹	423.22	474.01
11	192325	Grid assembly, complete NS36 ¹	CALL	CALL
11	192326	Grid assembly, complete NS48 ¹	631.66	707.46
11	192327	Grid assembly, complete NS60 ¹	751.56	841.75
11	195060	Grid assembly, complete NS72 ¹	871.62	976.21
11	192340	Grid pack w/O-ring NS24 ²	413.80	463.46
11	192341	Grid pack w/O-ring NS36 ²	472.70	529.42
11	192342	Grid pack w/O-ring NS48 ²	601.86	674.08
11	192343	Grid pack w/O-ring NS60 ²	700.62	784.69
11	192344	Grid pack w/O-ring NS72 ²	827.54	926.84
12	192323	O-ring	5.01	5.61
13	194981	Piping assembly, upper NS24	54.94	61.53
13	194982	Piping assembly, upper NS36	34.19	38.29
13	194983	Piping assembly, upper NS48	36.80	41.22
13	194984	Piping assembly, upper NS60	38.98	43.66
13	194985	Piping assembly, upper NS72	41.54	46.52
14	152127	O-ring, 18 in. dia. tank	45.43	50.88
15	192183	Rod, 5/16 in. x 21-1/2 in. manifold rtnr. NS 36, 2 req.	50.73	56.82

Nautilus® Filters (Cont'd)

Replacement Parts for Stainless Steel Filters



Item	Part No.	Description	US List	Can. List
NAUTILUS FILTERS				
15	192184	Rod, 5/16 in. x 27-1/2 in. manifold rtnr. NS 48, 2 req.	60.31	67.55
15	192185	Rod, 5/16 in. x 33-1/2 in. manifold rtnr. NS 60, 2 req.	71.84	80.46
15	195002	Rod, 5/16 in. x 39-1/2 in. manifold rtnr. NS 72, 2 req.	77.89	87.24
18	194893	Spacer, 2 in. external	8.93	10.00
19	86006900	O-ring, bulkhead	4.97	5.57
19	190141	Bulkhead w/O-ring	84.75	94.92
20	194801	Bulkhead, 2 in.	81.24	90.99
21	154722	Foot NS/PF	83.76	93.81
22	195829	Plug, 2 in. drain	6.61	7.40
23	194913	Piping assembly, lower w/drain	57.43	64.32
25	154747	Spacer, 2.8 in. dia. x 1/4 in. pvc	3.19	3.57
26	192013	Nut, 5/16 in., 16 SS, 4 req.	5.13	5.75
27	072173	Washer, 5/16 in. SS flat, 4 req.	1.40	1.57
28	192194	Retainer, grid	44.11	49.40
31	194988Z	Spring, NS 2 req.	7.09	7.94
32	53004800Z	Washer, .890 o.d., .430 i.d., .164, 2 req.	5.14	5.76
33	194989Z	Nut, machined 2 req.	11.54	12.92
34	172855	Strainer, air vent 3/4 in. ³	19.59	21.94
35	273512	Bleeder screw	9.07	10.16
36	273513	O-ring bleeder	0.74	0.83
38	190059	Gauge, back mount pressure	34.18	38.28
39	274494	O-ring	3.85	4.31
NOT SHOWN				
	181011	Band assembly, complete ⁵	254.67	285.23
	53006300	Washer, .890 o.d., .320 i.d., .164, 2 req.	CALL	CALL

¹ Complete grid assembly consists of items 7, 9, 10, 15, 27, 28, and 35 in correct quantities as shown.

² Grid pack consists of items 9, 10, and 12 in correct quantities as shown.

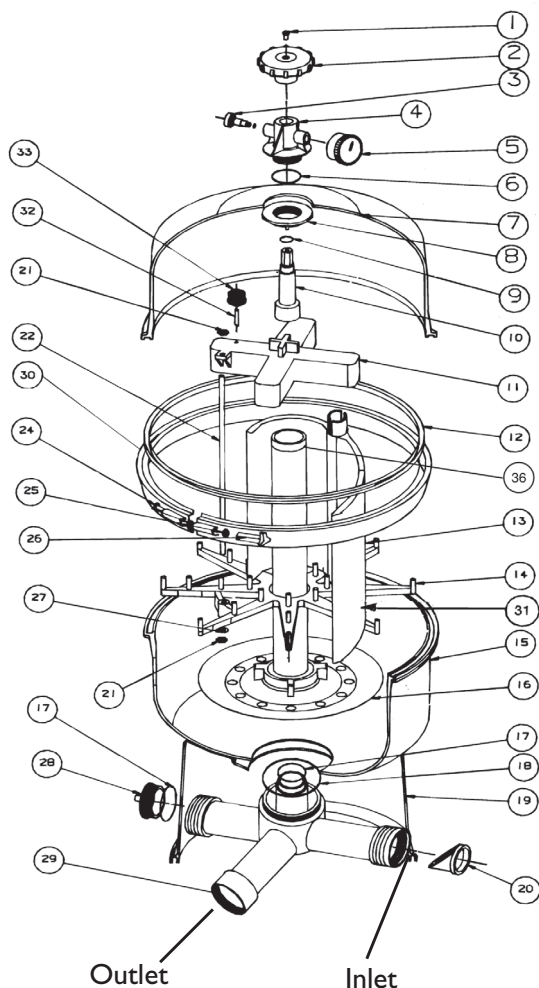
³ Used on filters manufactured after Dec. 1, 1991.

⁴ Filters manufactured before December 16, 1991 utilize a different tank top and bottom that is not interchangeable w/current units. There are no replacement Part Numbers for filters manufactured before December 16, 1991.

⁵ Filters manufactured before April 1, 1992 contain a different clamp band assembly Replacement clamp band components are no longer available for these units. Replace old obsolete non-spring design clamp band w/ new spring design clamp band to upgrade your filter if any components are damaged. Spring design clamp bands do not require use of a torque wrench and simplify installation of the clamp. Do not attempt to interchange components between the different clamp band designs.

Star™ Filters

Replacement Parts for Fiberglass Filters



Item	Part No.	Description	US List	Can. List
STAR FILTERS				
1	552472	Screw, flathead No. 12 x 1 in.	1.07	1.20
2	191472	Knob, engagement shaft	15.96	17.88
3	272515	Air bleeder w/O-ring	7.97	8.93
4	191475	Adapter, tank top	30.42	34.07
5	190059	Gauge, back mount pressure	34.18	38.28
6	155564	O-ring, 47mm x 4mm	9.97	11.17
7	191954	Top with knob, tank ST35	165.36	185.20
7	191500	Top with knob, tank ST40/50, black	217.04	243.08
7	191509	Top with knob, tank ST80, black	317.26	355.33
8	191478	Nut, 1-7/8 in., 8 in. buttress	7.81	8.75
9	191479	O-ring, 7/8 in. x 1-1/8 in. x 1/8 in.	1.03	1.15
10	191951	Shaft, engagement ST35	17.74	19.87
10	191485	Shaft, engagement ST40/50	21.77	24.38
11	191950	Manifold assembly	97.41	109.10
12	174704	O-ring, tank	18.56	20.79

Item	Part No.	Description	US List	Can. List
STAR FILTERS				
13	191321	Grid, ST35 13-1/8 in., 4 req.	29.65	33.21
13	191322	Grid, ST40/50 19-3/4 in., 4 req.	40.14	44.96
13	191510	Grid, ST80 26-1/4 in., 4 req.	49.52	55.46
14	191467	Retainer, grid bottom	45.81	51.31
15	750009	Bottom, tank ST40/50, black	150.27	168.30
15	191511	Bottom, tank ST80, black	157.63	176.55
16	191942	Pipe, center w/diffuser ST35 w/O-ring	122.86	137.60
16	191483	Pipe, center w/diffuser ST40/50 w/O-ring	100.51	112.57
16	191512	Pipe, center w/diffuser ST80 w/O-ring	57.71	64.64
17	191474	O-ring, 1-3/4 in. x 2 in. x 1/8 in., 2 req.	0.74	0.83
18	191424	O-ring, 3-1/2 in. x 3-1/8 in. x 3/16 in.	5.86	6.56
19	191423	Foot, tank	51.60	57.79
20	191437	Check valve assembly	44.99	50.39
21	98211400	Nut, hex 1/4, 20 serrated SS, 4 req.	2.03	2.27
22	191948	Rod, 1/4 in. x 15 in. SS ST35, 2 req.	18.56	20.79
22	191430	Rod, 1/4 in. x 21-1/2 in. SS ST40/50, 2 req.	19.27	21.58
22	191513	Rod, 1/4 in. x 28 in. ST80	24.11	27.00
24	152060	Bolt, 5/16 in., 18 x 4-1/4 in. carriage	8.52	9.54
25	072173	Washer, flat 5/16 in. SS	1.40	1.57
26	174882	Knob, band assembly	27.99	31.35
27	072172	Washer, lock 1/4 in. SS, 2 req.	0.20	0.22
28	552622	Plug, 1-1/2 in. w/O-ring	1.28	1.43
29	191469	Piping, bottom w/check valve order with locknut, 191505	158.68	177.72
30	174880	Band assembly/comp. ²	103.63	116.07
31	191953	Grid assembly/comp. ST35 ¹	298.49	334.31
31	191486	Grid assembly/comp. ST40/50 ¹	344.84	386.22
31	191519	Grid assembly/comp. ST80	415.00	464.80
32	191606	Tubing, 1/4 in.	4.89	5.48
33	191329	Strainer, air relief	9.80	10.98
36	191517	Center pipe O-ring	1.28	1.43
NOT SHOWN				
	191507	Filter, ST50 w/o foot	834.61	934.76
	750016	Piping assembly, Star systems, includes: piping, parts, & O-rings	86.36	96.72
	750014	Base D.E. system for ST35 & ST50 & ST80	177.22	198.49
	155109	Nut, 4 prong, 2 req.	0.25	0.28
	354265	Screw, 5/16, 18 hex wsh. hd., 2 req.	1.70	1.90
	750014	Base vacuum, formed	177.22	198.49
	191495	Wrench, Star center piping	CALL	CALL

¹ Item 31 - Grid assembly/complete, consists of items 11, 13, 14, 21, 22, 27.

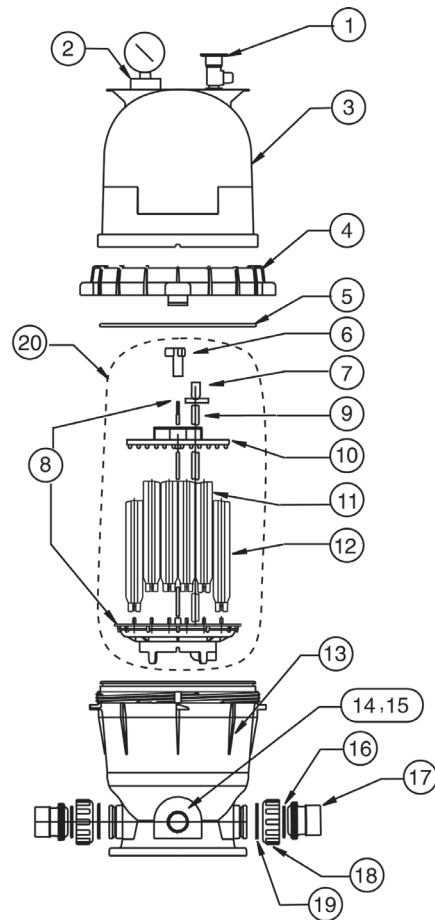
² Item 30 - P/N 194880 Band assembly/complete, consists of items 23, 24, 25, 26, 34.

Warrior® Filters

Replacement Parts for Automatic Regeneration Filters



Item	Part No.	Description	US List	Can. List
WARRIOR FILTERS				
1	98209800	High Flow manual air relief valve, HFMARV	27.29	30.56
2	190058	Gauge, pressure	34.18	38.28
3	190041	Lid, 44, 88 GPM filter, almond	116.30	130.26
3	190042	Lid, 66 GPM filter, almond	108.90	121.97
4	59052900	Locking ring assembly	78.14	87.52
5	87300400	Body O-ring	7.68	8.60
6	071404Z	Wing Nut	3.75	4.20
7	59016200	Air bleed sock kit	10.45	11.70
8	59022500	Tie rod/manifold assembly, 44 GPM filter, 18 in.	57.67	64.59
8	59022501	Tie rod/manifold assembly, 66 GPM filter, 26 in.	74.02	82.90
8	59022502	Tie rod/manifold assembly, 88 GPM filter, 36 in.	67.08	75.13
9	59011200	Air bleed tube, 44 GPM filter	31.16	34.90
9	59011300	Air bleed tube, 66 GPM filter	32.49	36.39
9	59011400	Air bleed tube, 88 GPM filter	10.21	11.44
10	59023000	Top grid support	33.57	37.60
11	59009600	Lg. grid, 44 GPM filter, 4 req., 9 in. x 16 in.	27.86	31.20
11	59009700	Lg. grid, 66 GPM filter, 4 req., 9 in. x 24 in.	27.86	31.20
11	59009800	Lg. grid, 88 GPM filter, 4 req., 9 in. x 36 in.	37.98	42.54
12	59005200	Sm. grid, 44 GPM filter, 2 req., 7-1/2 in. x 16 in.	27.86	31.20
12	59005300	Sm. grid, 66 GPM filter, 2 req., 7-1/2 in. x 24 in.	27.86	31.20
12	59005400	Sm. grid, 88 GPM filter, 2 req., 7-1/2 in. x 36 in.	37.98	42.54
13	178562	Bottom, 44 GPM filters, almond	224.74	251.71
13	178563	Bottom, 66 & 88 GPM filters, almond	286.42	320.79
14	51516200	Drain cap ¹	19.55	21.90
14	86202000	Plug, 1-1/2 in. drain, w/O-ring ²	15.16	16.98
15	86300500	Drain cap gasket ¹	4.34	4.86
15	51005000	O-ring, drain cap ²	5.50	6.16
16	071426	O-ring, union	1.28	1.43
17	79304600	Body, swivel	18.15	20.33
18	98212200	Nut, union	8.64	9.68
19	39104500	Union nut "C" clip	1.49	1.67
20	59005800	Grid pack assembly, 44 GPM	179.59	201.14
20	59005900	Grid pack assembly, 66 GPM	217.08	243.13
20	59006000	Grid pack assembly, 88 GPM	261.24	292.59

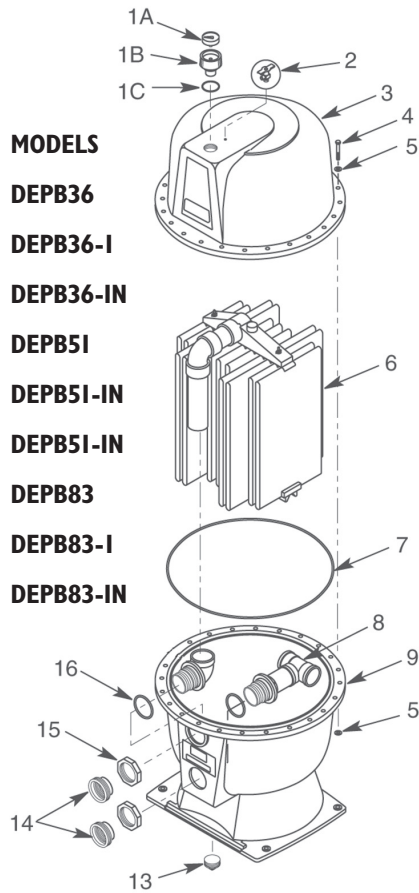


¹ Used on filters manufactured before 11-98.

² Used on filters manufactured after 11-98.

DEPB Vertical D.E. Filters

Replacement Parts



MODELS

DEPB36

DEPB36-I

DEPB36-IN

DEPB51

DEPB51-IN

DEPB51-IN

DEPB83

DEPB83-I

DEPB83-IN

Item	Part No.	Description	US List	Can. List
DEPB VERTICAL D.E. FILTERS				
1A	33600-0023T	Pressure Gauge ¹	36.79	41.20
2	U212-252D	Air Release Valve ¹	20.66	23.14
4	U30-91ZP	Bolt, 1/2-13 x 2-1/2 in. - Model DEPB51	2.19	2.45
5	U43-129ZP	Washer, Flat 1/2 in. - Model DEPB51, DEPB83	0.60	0.67
6	24762-0483	Filter Element Assembly - Model DEPB83	1764.56	1976.31
7	24750-0006	O-Ring - 36 in. Filter	28.07	31.44
7	24751-0006	O-Ring - 51 in. Filter	31.56	35.35
7	24752-0006	O-Ring - 83 in. Filter	37.12	41.57
8	24761-0080	Inlet Baffle - DEPB51, DEPB83	56.78	63.59
13	24700-0413	Plug with O-Ring	34.29	38.40
15	24752-0049	Fitting Nut, 2 in.	21.61	24.20

¹ Included in Air Release/Fill Cap Package, Part No. 24750-0027.

² When ordering item No. 9 for service, include label #60000-0137 and tape #37685-0006.

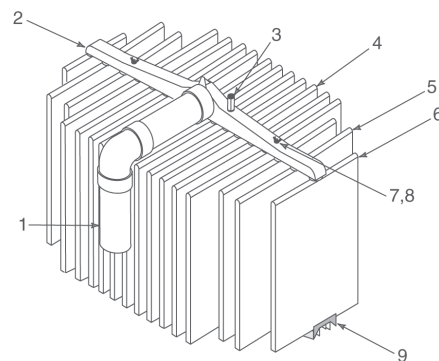
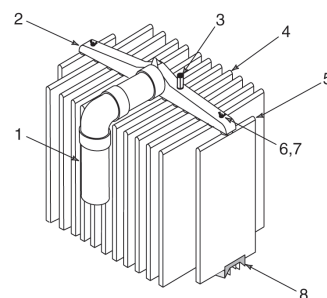
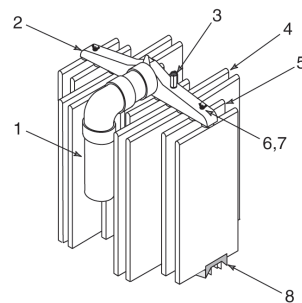
Filter Element Assemblies

D.E.P. Series Replacement Parts



Item	Part No.	Description	US List	Can. List
DEP36, DEP36-I, DEP36-01B, DEPB36, DEPB36-1N				
2	24760-0257	Collection Manifold Assembly	CALL	CALL
3	WC8-126Z	Air Bleed Filter	11.49	12.87
4	23900-0033	Covered Element 16-1/2 in.	59.07	66.16
5	23900-0032	Covered Element 11 in.	49.57	55.52
6	23900-0039	Rod	28.26	31.65
7	35402-0074	Wing Nut	CALL	CALL
8	23900-0019	Element Grid Support	43.51	48.73
DEP51, DEP51-01, DEP51-01B, DEPB51, DEPB51-1N				
2	23901-0059	Collection Manifold Assembly	133.07	149.04
3	WC8-126Z	Air Bleed Filter	11.49	12.87
4	23900-0033	Covered Element 16-1/2 in.	59.07	66.16
5	23900-0032	Covered Element 11 in.	49.57	55.52
6	23900-0039	Rod	28.26	31.65
7	35402-0074Z	Wing Nut	5.71	6.40
8	23901-0019	Element Grid Support	46.26	51.81
DEP83, DEP83-01, DEP83-01B, DEPB83, DEPB83-1, DEPB83-1N				
3	WC8-126Z	Air Bleed Filter	11.49	12.87
4	23900-0034	Covered Element 22 in.	82.63	92.55
5	23900-0033	Covered Element 16-1/2 in.	59.07	66.16
6	23900-0032	Covered Element 11 in.	49.57	55.52
7	23900-0039	Rod	28.26	31.65
8	35402-0074	Wing Nut	CALL	CALL
9	23902-0019	Element Grid Support	55.59	62.26

D.E.P. FILTERS



System:2™ Modular D.E. Filters

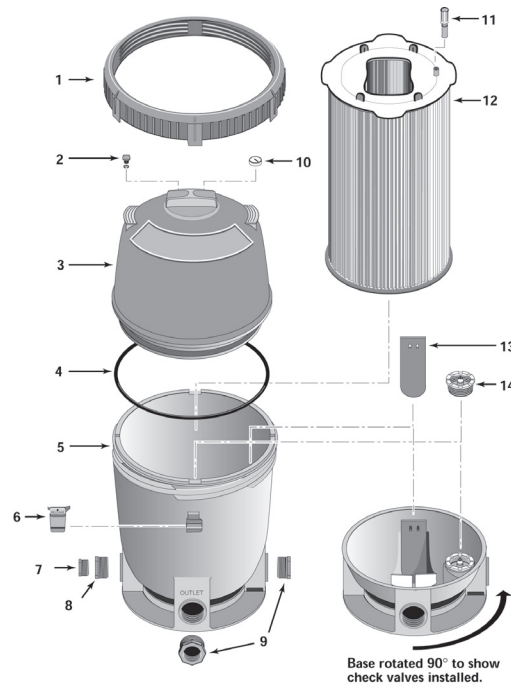
PLD Series Replacement Parts



MODELS

PLD50 - DE

PLD70 - DE



Item	Part No.	Description	US List	Can. List
SYSTEM:2 MODULAR D.E. FILTERS				
1	27001-0054S	Posi-Lok® ring	157.95	176.90
2	25010-0200	Air release valve assembly	4.44	4.97
3	27001-0020S	Tank shell upper half ^{1,5}	236.56	264.95
4	27001-0061S	Cord-ring	41.22	46.17
4	27001-0060S	Cord-ring (Pre 3/97), PLD50	40.84	45.74
5	27001-0009S	Tank shell lower half w/ring ^{4,5}	401.86	450.08
6	27001-0051	Safety latch for ring	11.12	12.45
7A	27001-0022	1-1/2 in. NPT plug w/O-Ring	2.21	2.48
7B	24900-0509	Adapter fitting (Pre 10/03)	CALL	CALL
7B	24900-0510	Adapter fitting	21.48	24.06
9	U78-820P	2 in. x 1-1/2 in. Pipe reducer ²	10.18	11.40
10	15060-0000T	Pressure gauge ³	36.79	41.20
11	24800-0120	Air bleed assembly	16.49	18.47
12	27002-0030S	Filter module, PLD50	275.71	308.80
12	27002-0036S	Filter module, PLD70	320.74	359.23
13	27001-0011	Flapper valve	12.40	13.89
14	27001-0130S	Spring check valve ²	17.15	19.21
NOT SHOWN				
	33455-1050	Spring check valve gasket	3.08	3.45

¹ Includes all decals and labels.

² Optional Equipment.

³ Shipped in accessory package.

⁴ Includes 24900-0510 adapter fitting, 27001-0051 safety latch, & 27001-0054 Posi-Lok™ ring.

⁵ Filters made before 2005 should replace the top and bottom together.

System:2™ Modular D.E. Filters

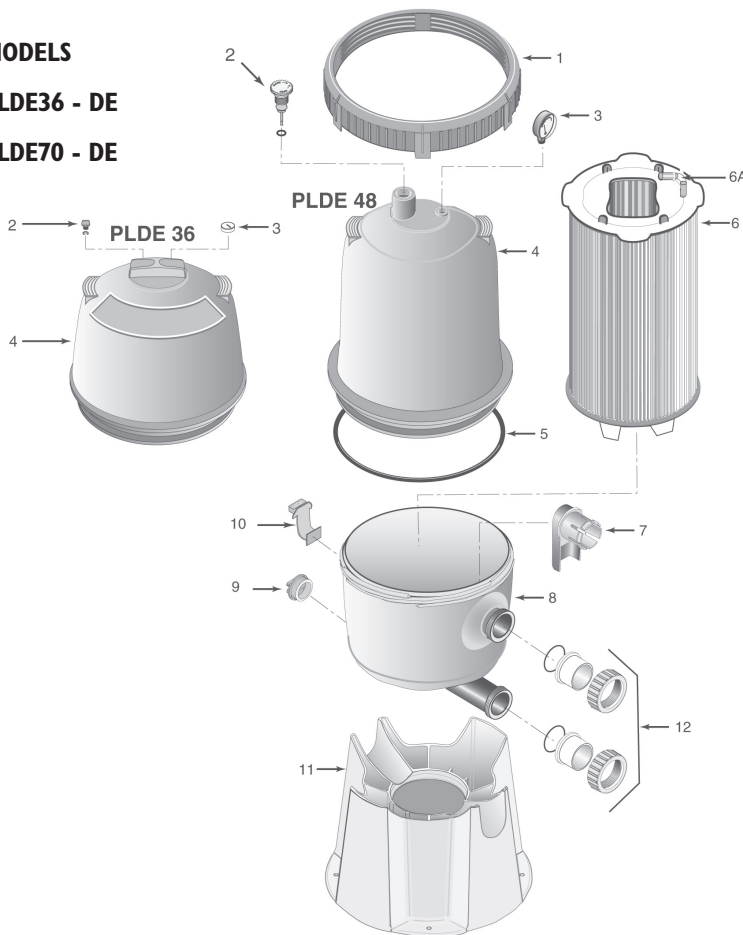
PLDE Series Replacement Parts



MODELS

PLDE36 - DE

PLDE70 - DE



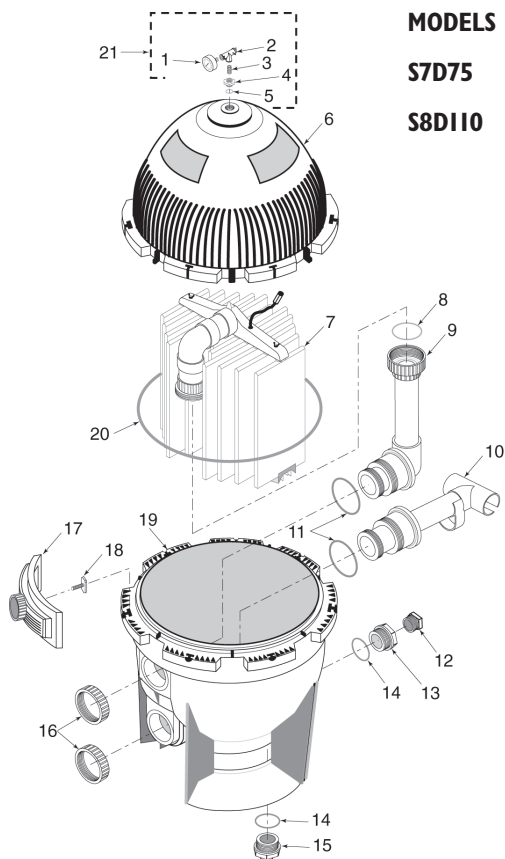
Item	Part No.	Description	US List	Can. List
SYSTEM:2 MODULAR D.E. FILTERS				
1	27001-0054S	Posi-Lok® Ring	157.95	176.90
2	25010-0200	Air Release Valve with O-ring, PLDE36	4.44	4.97
2	24206-0103S	Air Release Valve with O-ring, PLDE48	8.05	9.02
3	15060-0000T	Pressure Gauge	36.79	41.20
4	27001-0020S	Tank Upper Half with Air Relief Valve, PLDE36 ²	236.56	264.95
4	27001-0030S	Tank Upper Half with Air Relief Valve, PLDE48 ²	372.10	416.75
5	27001-0061S	Tank O-Ring	41.22	46.17
6	27002-0036S	Filter Module, PLDE36	320.74	359.23
6	27002-0048S	Filter Module, PLDE48	402.63	450.95
6A	24800-0120	Air Bleed Assembly	16.49	18.47
7	27001-0015S	Diverter	22.64	25.36
8	27001-0016S	Tank Lower Half ^{1,2}	200.19	224.21
9	27001-0022	Drain Plug	2.21	2.48
10	27001-0051	Safety Latch	11.12	12.45
11	27001-0018S	Tank Support Base	105.07	117.68
12	PKG 188	2 in. Union Adapter Package (includes 2)	24.18	27.08

¹ Includes Item Nos. 7, 8, 9, 10.

² Filters manufactured before 2005 should replace the top and bottom together.

System:3® D.E. Filters

SD Series Replacement Parts



MODELS

S7D75

S8D110

Item	Part No.	Description	US List	Can. List
SYSTEM:3 D.E. FILTERS				
1	33600-0023T	2 in. Gauge	36.79	41.20
2	154687	Air Release Valve	38.46	43.08
3	35202-0959	Nipple	10.47	11.73
4	24900-0504	Adapter Bushing	13.97	15.65
5	35505-1423	O-Ring	1.49	1.67
6	24851-9000	Upper Tank Shell Kit, S7D75	747.94	837.69
6	24851-9001	Upper Tank Shell Kit, S8D110	919.98	1030.38
7	23900-1220S	Filter Assembly, S7D75	904.49	1013.03
7	23900-1221S	Filter Assembly, S8D110	1169.04	1309.32
8	U9-362	O-Ring	4.32	4.84
9	23911-0102	Outlet Assembly	109.18	122.28
10	23911-0100	Inlet Assembly, S7D75	80.37	90.01
10	23911-0101	Inlet Assembly, S8D110	81.52	91.30
11	35505-1425	O-Ring	11.55	12.94
12	27001-0022S	1-1/2 in. NPT Plug	CALL	CALL
13	24900-0509	Adapter Fitting	CALL	CALL
14	35505-1424	O-Ring	6.95	7.78
15	24900-0503	Drain Plug	21.34	23.90
16	24752-0050	Bulkhead Retaining Nut	18.45	20.66
17	24850-0200	Clamp Assembly ¹	97.65	109.37
18	24850-0010	Clamp Bolt ¹	23.66	26.50
19	24850-0102S	Lower Tank Shell, S7D75	835.21	935.44
19	24851-0103S	Lower Tank Shell, S8D110	943.69	1056.93
20	24850-0008	Cord Ring, S7D75	47.87	53.61
20	24850-0009	Cord Ring, S8D110	54.76	61.33
21	24850-0105	Valve & Gauge Assembly (Includes #8, 9, 11, 16)	74.75	83.72
NOT SHOWN				
	24850-0016	Clamp Retaining Ring	5.04	5.64
	U212-252DS	Brass Deluxe Air Bleed (optional)	36.58	40.97
	25021-1021	System3 DE Conversion Kit (Includes #8, 9, 10, 11, 16) - S7D75 - should also purchase item #7 separately.	256.24	286.99
	25021-1025	System3 DE Conversion Kit (Includes #8, 9, 10, 11, 16) - S8D110-	256.24	286.99

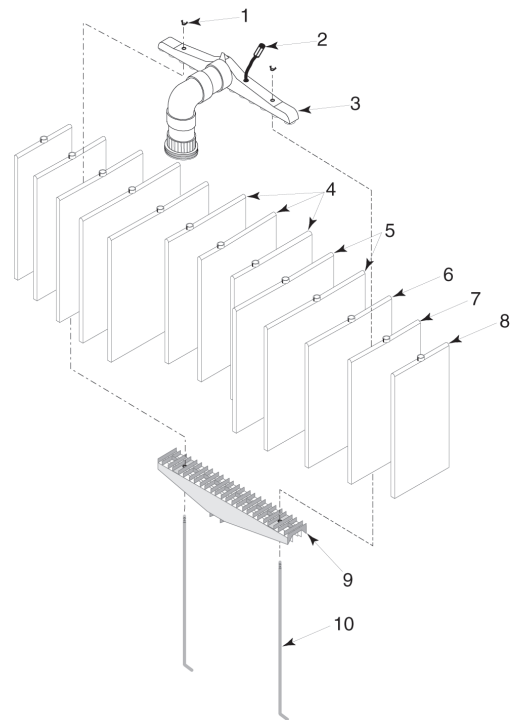
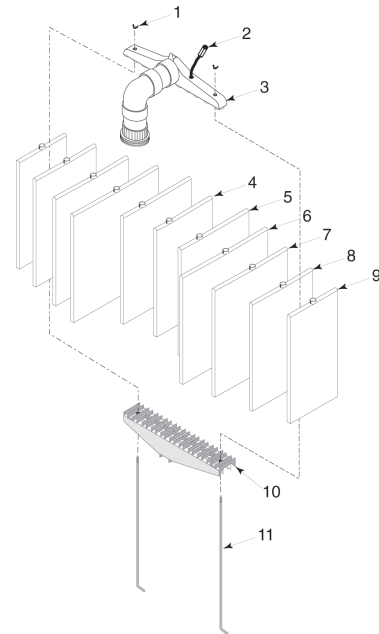
¹ Model S7D75 uses seven (7) clamps and bolts; Model S8D110 uses eight (8).

System:3[®] D.E. Filter Element Assemblies

SD Series Replacement Parts

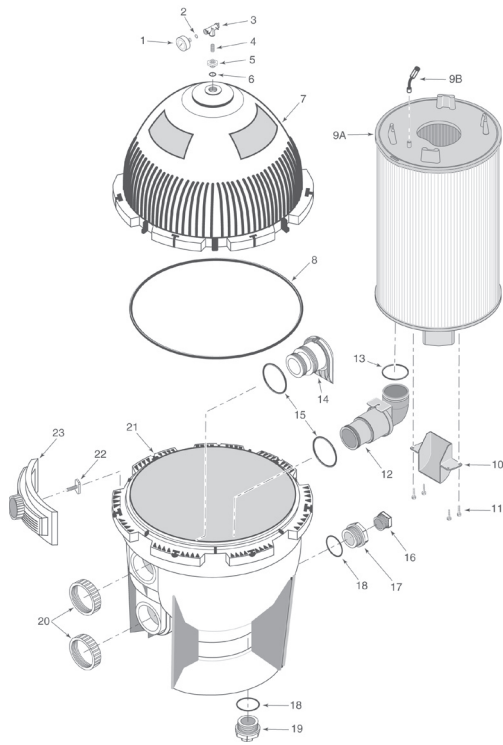


Item	Part No.	Description	US List	Can. List
FILTER ELEMENT ASSEMBLY FOR S7D75				
1	35402-0074	Wing Nut	CALL	CALL
2	24800-0120	Air Bleed Assembly	16.49	18.47
3	24800-0100	Manifold	136.25	152.60
4	23900-1171	Covered Element 12-7/16 in.	53.98	60.46
5	23900-1170	Covered Element 13-13/16 in.	54.92	61.51
6	23900-0033	Covered Element 16-1/2 in.	59.07	66.16
7	23900-1174	Covered Element 15-3/16 in.	56.88	63.71
8	23900-1175	Covered Element 12-7/16 in.	53.98	60.46
9	23900-1173	Covered Element 9-11/16 in.	49.83	55.81
10	23900-0350	Element Grid Support	36.30	40.66
11	23900-0039	Rod	28.26	31.65
FILTER ELEMENT ASSEMBLY FOR S8D110				
1	35402-0074	Wing Nut	CALL	CALL
2	24800-0120	Air Bleed Assembly	16.49	18.47
3	24801-0101	Manifold	140.58	157.45
4	23900-1172	Covered Element 16-1/2 in.	70.98	79.50
5	23900-0144	Covered Element 19-5/16 in.	103.52	115.94
6	23900-0033	Covered Element 16-1/2 in.	59.07	66.16
7	23900-1174	Covered Element 15-3/16 in.	56.88	63.71
8	23900-0032	Covered Element 11 in.	49.57	55.52
9	23901-0350	Element Grid Support	38.61	43.24
10	23900-0039	Rod	28.26	31.65



System:3® Modular D.E. Filters

SMD Series Replacement Parts



Item	Part No.	Description	US List	Can. List
SYSTEM:3 MODULAR D.E. FILTERS				
1	33600-0023T	2 in. Gauge	36.79	41.20
3	154687	Air Release Valve	38.46	43.08
4	35202-0959	Close Nipple, 1/4 in.	10.47	11.73
5	24900-0504	Adapter Bushing	13.97	15.65
6	35505-1423	O-Ring	1.49	1.67
7	24851-9000	Upper Tank Shell Kit ¹	747.94	837.69
8	24850-0008	Tank O-Ring	47.87	53.61
9A	25023-0160S	Replacement Module	494.09	553.38
9A	25023-0172S	Replacement Module	818.92	917.19
9B	24800-0120	Air Bleed Assembly ²	16.49	18.47
10	23910-0013S	Baffle Kit (with Screws) ²	26.78	29.99
11	37027-7028	Baffle Screws ²	CALL	CALL
12	23910-0100S	Elbow and Bulkhead Assembly ³	93.74	104.99
13	35505-7438	O-Ring	7.26	8.13
14	23910-0101S	Deflector and Bulkhead Assembly	62.49	69.99
15	35505-1425	O-Ring	11.55	12.94
16	27001-0022	1-1/2 in. Plug with O-Ring	2.21	2.48
17	24900-0509	Adapter Fitting	CALL	CALL
18	35505-1424	O-Ring	6.95	7.78
19	24900-0503	Drain Plug	21.34	23.90
20	24752-0050	Bulkhead Retaining Nut	18.45	20.66
21	24850-0102S	Lower Tank Shell	835.21	935.44
22	24850-0010	Clamp Bolt	23.66	26.50
23	24850-0200	Clamp Assembly	97.65	109.37
NOT SHOWN				
	23910-1100S	System:3 Modular DE Conversion Kit (Includes Key #'s 12, 13, 14, 15, 16) - must also buy Item 9A separately	142.85	159.99

¹ Includes all decals and labels.

² Included with Key No. 9A Replacement Module.

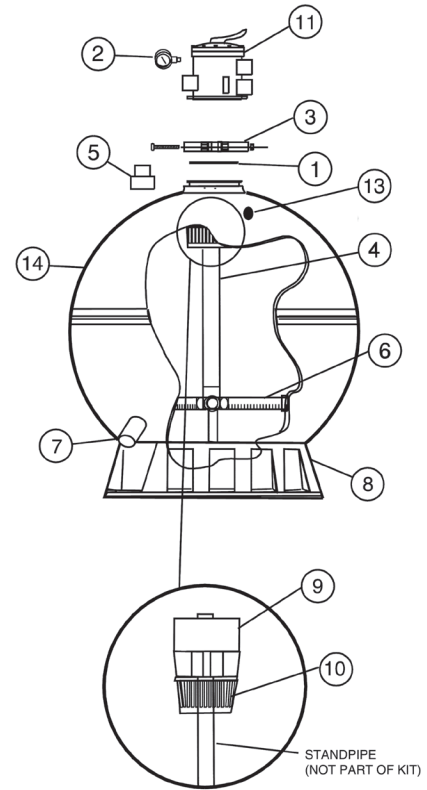
³ Includes O-Ring (Key No. 13).

Meteor® Top Mount Filters

Replacement Parts



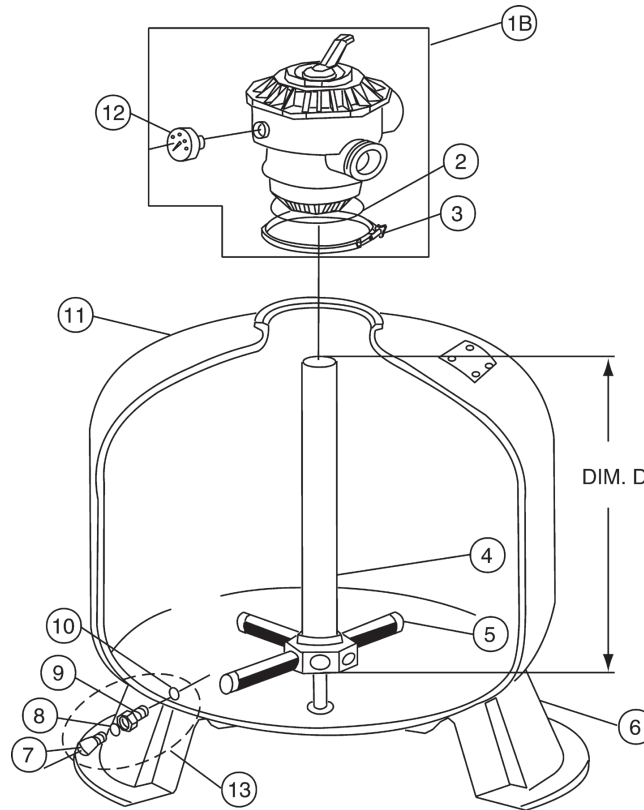
Item	Part No.	Description	US List	Can. List
ECLIPSE / METEOR TOP MOUNT FILTERS				
1	52000500	O-ring, clamp, 30 in.	11.90	13.33
1	39300600	O-ring, clamp, 26 in.	16.04	17.96
1	51011900	O-ring, clamp, 22 in. ¹	6.91	7.74
1	51021700	Gasket, clamp 22 in. filter ²	15.21	17.04
2	190059	Gauge, pressure, rear connection	34.18	38.28
3	51020900	Clamp, multiport valve, 22 in. filter ²	42.17	47.23
3	58915000	Clamp, multiport valve, 26 in., 30 in. filter	107.20	120.06
3	152165	Clamp plastic 6 way valve ⁵	19.47	21.81
4	55027500	Standpipe 18 in.	73.59	82.42
4	55027600	Standpipe 20 in.	73.59	82.42
4	55027700	Standpipe assembly, 22 in. filter	74.92	83.91
4	152223	Standpipe, 18 in. ⁵	91.28	102.23
4	152224	Standpipe, 20 in. ⁵	109.56	122.71
4	152225	Standpipe, 22 in. ⁵	113.94	127.61
5	51011400	Standpipe TM valve adptr., 2 in. port, 30 in. filter	9.63	10.79
6	55025700	Lateral, underdrain, 22 in. filter, 8 per filter ³	5.38	6.03
6	55025800	Lateral, underdrain, 26 in. filter, 8 per filter ³	6.73	7.54
6	55025900	Lateral, underdrain, 30 in. filter, 8 per filter ³	8.05	9.02
6	150084	Lateral, 18 in., 20 in. ⁵	5.62	6.29
6	150085	Lateral, 22 in. ⁵	7.03	7.87
7	55007800	Drain assembly, complete	19.52	21.86
7	86300300	Fitting, drain, sand/water	8.60	9.63
7	51005000	O-ring drain/inspection fittings	5.50	6.16
7	86300400	Cap, drain	4.34	4.86
7	86300500	Gasket, drain cap	4.34	4.86
7	150055	Drain assembly complete ⁵	43.34	48.54
8	55226100	Base, 22 & 26 in. filter	CALL	CALL
8	55235000	Base, 30 & 36 in. filter	CALL	CALL
8	154926	Base ⁵	77.86	87.20
9	51031200	Cup, overdrain, lg., 26 & 30 in. filter	14.43	16.16
10	51030200	Basket, overdrain, lg. 2 in., 30 in. filter	10.92	12.23
10	51030100	Basket, overdrain, sm. 1-1/2 in., 26 in. filter	CALL	CALL
11	50118200	MPV, 8 pos. 1-1/2 in., 22 in. filter	209.89	235.08
11	50118300	MPV, 8 pos. 1-1/2 in., 26 & 30 in. filter	209.48	234.62
11	50123100	MPV, 2 in., 30 in. filter	212.27	237.74
11	262506	Valve 1-1/2 in. 6 way ⁵	169.96	190.36
13	86203300	Plug, winterizing, black	5.29	5.92
14	58812120	Replacement tank 18 in. ⁶	408.07	457.04
14	58812130	Replacement tank 20 in. ⁶	588.97	659.65
14	58812140	Replacement tank 22 in. ⁶	512.08	573.53
14	155655	Replacement tank 18 in. ⁵	206.20	230.94
14	155656	Replacement tank 20 in. ⁵	275.70	308.78
14	155657	Replacement tank 22 in. ⁵	290.60	325.47
NOT SHOWN				
	85019100	Backwash sight glass, 22 & 26 in. filter	16.95	18.98
	155051	Funnel, sand filling, 22, 26 & 30 in. filter	5.67	6.35



- ¹ Used on filters manufactured before 1-95.
- ² Used on filters manufactured after 1-95.
- ³ New improved laterals will fit hubs previously manufactured.
- ⁴ Multiport valve upgrade kit for Eclipse filters manufactured before 12-95. Kit comes with a valve. Valve must be purchased separately.
- ⁵ Used on filters mfg. after 10-04.
- ⁶ Used for filters mfg before 10-04.

Sand Dollar® Filters

Replacement Parts for Blow Molded Filters



Item	Part No.	Description	US List	Can. List
SAND DOLLAR SAND FILTERS				
1B	262506	Valve 1-1/2 in. 6-way	169.96	190.36
2	272541	O-ring valve body	6.34	7.10
3	152165	Assembly, plastic clamp 2 piece	19.47	21.81
4	155504	Piping assembly SD35, dim D = 16 in.	40.59	45.46
4	152229	Pipe assembly SD35 ³	100.86	112.96
4	155062	Piping assembly SD40, dim D = 20-1/8 in.	37.70	42.22
4	152228	Pipe assembly SD40 ³	93.11	104.28
4	155532	Piping assembly SD60, dim D = 25-1/4 in.	98.35	110.15
4	152227	Pipe assembly SD60 ³	108.24	121.23
4	152000	Pipe assembly, SD70	107.70	120.62
4	152226	Pipe assembly SD80	84.87	95.05

Sand Dollar® Filters

Replacement Parts for Blow Molded Filters

Item	Part No.	Description	US List	Can. List
SAND DOLLAR SAND FILTERS				
5	155007	Lateral 5, 11/32 in. long, almond, SD35, 8 req.	5.71	6.40
5	152290	Lateral 6, 11/16 in. long, almond, SD40/SD60, 8 req.	5.96	6.68
5	150084	Lateral, SD35, SD40, black ³	5.62	6.29
5	150085	Lateral XLong, SD60, SD70, SD80, black ³	7.03	7.87
6	154926	Foot, SD35	77.86	87.20
6	150088	Lateral, ClearPro 6 req	84.38	94.51
6	154520	Foot, SD40, SD60, SD70, & SD80 ¹	80.24	89.87
7	154699	Plug, 1/4 in. NPT drain	CALL	CALL
8	192115	O-ring drain plug	1.00	1.12
9	154710	Drain, Sand, 1 in., 5, ACME	8.31	9.31
10	154713	Gasket, sand drain ¹	1.28	1.43
11	145339	Tank with drain SD35, almond	222.45	249.14
11	145341	Tank with drain SD40, almond	295.10	330.51
11	145343	Tank with drain SD60, almond	408.58	457.61
11	145368	Tank with drain SD70, almond	494.62	553.97
11	145334	Tank with drain SD80, almond	580.64	650.32
12	190059	Gauge, pressure	34.18	38.28
13	150053	Drain plug assembly ²	15.42	17.27
13	150055	Drain plug assembly 80	43.34	48.54
NOT SHOWN				
	154712	1.5 in. drain cap	24.93	27.92
	154715	O-ring for drain cap	4.80	5.38

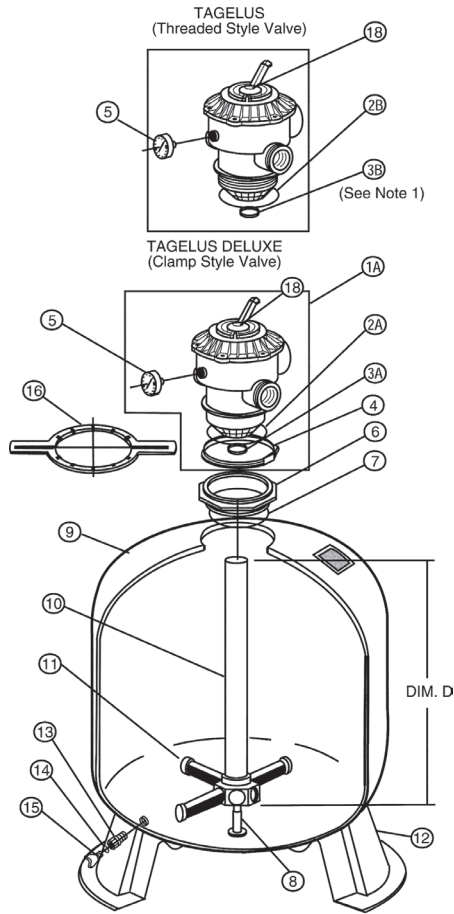
¹ Used on filters manufactured before 2/02.

² Includes items 7 through 10.

³ Filters manufactured after 10/04.

Tagelus® Filters

Replacement Parts for Fiberglass Filters



Detail A., after 12/1/91
6 in. btr. Thread.



Detail B., before 12/1/91
6 in. "V" Thread.

Item	Part No.	Description	US List	Can. List
TAGELUS FILTERS WITH THD. & CLAMP VALVES				
1A	262506	Valve, 1-1/2 in. 6-way clamp style ^{1, 4, 6, 8, 10}	169.96	190.36
1A	261185	Valve, 2 in. 6-way clamp style ^{11A, 11B}	285.70	319.98
1B	261124	Valve, 1-1/2 in. 6-way "V" thread -TA, ¹⁷	177.80	199.14
2A	272541	O-ring valve body, 3/16 in. x 4-3/4 in. i.d. ^{2, 4, 6, 8, 10}	6.34	7.10
2A	275333	O-ring valve body, 3/16 in. x 6-1/2 in. i.d. ^{11A, 11B}	5.41	6.06
2B	154493	O-ring valve body, .157 in. x 5.75 in. i.d. ^{1, 3, 5, 7, 9}	4.22	4.73
3A	355330	O-ring standup, 1/8 in. x 2-3/8 in. i.d. ^{11A, 11B}	1.40	1.57
3B	155064	O-ring standup, 1/8 in. x 1-7/8 in. i.d. ^{1, 3, 5, 7, 9, 12}	0.95	1.06
4	152165	Clamp, 6-1/2 in. dia. SS, plastic ^{2, 4, 6, 8, 10}	19.47	21.81
4	152130	Clamp, 8.35 in. dia. ^{11A, 11B}	82.57	92.48
5	190059	Gauge back mount pressure	34.18	38.28
6	154555	Adapter, 6 in. btr. thread. ^{2, 4, 6, 8, 10, 15, 18}	30.84	34.54
6	155225	Adapter, 6 in. "V" thread ^{2, 6, 8, 10, 15, 19}	30.23	33.86
6	154521	Adapter, 8-1/2 in. btr. thread ^{11A, 11B}	53.78	60.23
7	154494	O-ring valve adptr., .157 in. x 5.75 in. i.d. ^{2, 4, 6, 8, 10}	3.34	3.74
7	355619	O-ring valve adptr., 1/8 in. x 8-1/4 in. i.d. ^{11A, 11B}	8.60	9.63
8	155002	Stabilizer, center pipe	16.04	17.96
9	155276	Tank & ft. assembly w/valve adptr. ^{6, 13, 18, 19}	834.58	934.73
9	155279	Tank & ft. assembly w/valve adptr. ^{8, 13, 18, 19}	849.24	951.15
9	155269	Tank & ft. assembly w/valve adptr. ^{10, 13, 18, 19}	939.25	1051.96
9	155324	Tank & ft. assembly w/valve adptr. ^{11A, 11B, 13, 18, 19}	1349.70	1511.66
9	155342	Tank & ft. assembly btr. thread style ^{5, 16, 17}	810.76	908.05
9	155343	Tank & ft. assembly btr. thread style ^{7, 16, 17}	824.35	923.27
9	155358	Tank & ft. assembly btr. thread style ^{9, 16, 17}	670.27	750.70
10	155060	Piping assembly, (dim. D = 12-7/8 in.) ^{1, 2}	35.39	39.64
10	153455	Piping assembly, (dim. D = 14-7/8 in.) ^{3, 4}	37.17	41.63
10	155061	Piping assembly, (dim. D = 17-3/4 in.) ^{5, 6}	37.00	41.44
10	155062	Piping assembly, (dim. D = 19-7/8 in.) ^{7, 8}	37.70	42.22
10	155063	Piping assembly, (dim. D = 22-5/8 in.) ^{9, 10}	38.36	42.96
10	155340	Piping assembly, less hub, (dim. D = 27-1/4 in.) ^{11A, 11B}	35.76	40.05
10	155323	Piping assembly, w/hub, (dim. D = 27-1/4 in.) ^{11A, 11B}	80.28	89.91
10	155299	Piping assembly, w/hub, ^{10, 20}	38.00	42.56

Tagelus® Filters (Cont'd)

Replacement Parts for Fiberglass Filters



Item	Part No.	Description	US List	Can. List
TAGELUS FILTERS WITH THREAD & CLAMP VALVES				
11	155007	Lateral, 5-11/32 in. long, 8 req. ^{1, 2, 3, 4}	5.71	6.40
11	152290	Lateral, 6-11/16 in. long, 8 req. ^{5, 7, 9, 6, 8, 10}	5.96	6.68
11	152202	Lateral, 9-1/8 in. long ^{11A, 11B}	8.19	9.17
11	150085	Lateral, 1/4 turn, 6 req. ^{10, 20}	7.03	7.87
11	150088	Lateral, ClearPro - 6 req	84.38	94.51
12	154926	Foot tank ^{3, 5, 7, 9, 4, 6, 8, 10}	77.86	87.20
12	154596	Foot tank ^{11A, 14}	118.25	132.44
13	154698	Spigot, 3/4 in. NPT sand drain ^{2, 4, 6, 8, 10}	20.74	23.23
13	154685	Spigot, 1/2 in. NPT sand drain ^{1, 3, 5, 7, 9}	15.16	16.98
13	152220	Spigot, 2 in. NPT sand drain ^{11A}	32.57	36.48
14	192115	O-ring drain plug, 1/16 in. x 1/2 in. i.d.	1.00	1.12
14	154871	O-ring, drain plug TAI00	6.70	7.50
15	154699	Plug, 1/4 in. NPT drain	CALL	CALL
16	154512	Wrench, 6-1/2 in. across flats ^{2, 6, 8, 10}	20.47	22.93
16	151608	Wrench, 9 in. across flats ¹⁴	237.62	266.13
18	272599	Label top mount valve	4.54	5.08
NOT SHOWN				
	154402	Tape ft. mounting, ¹⁻¹⁰	5.13	5.75
	154407	Tape ft. mounting, ^{11A, 11B}	7.03	7.87
	155051	Sand guide	5.67	6.35
	152220	2 in. drain TAI00	32.57	36.48
	154871	2 in Drain O-ring	6.70	7.50

¹ TA 30

² TA 30D

³ TA 35

⁴ TA 35D

⁵ TA 40

⁶ TA 40D

⁷ TA 50

⁸ TA 50D

⁹ TA 60

¹⁰ TA 60D

^{11A} TA 100

^{11B} TA 100D

¹² Item 3A O-ring, standpipe is used on model TAI00D Filters only. Item 3B O-ring, standpipe is used on Tagelus Filter models TA30, 40, 50, 60, manufactured before April, 1993. Item 3B is not used on Tagelus Clamp Filter models TA30D, 35D, 40D, 50D, 60D or on any Tagelus models manufactured after April, 1993.

¹³ Tagelus Clamp Filter models tank & ft. assembly have valve adptr., Item 6 factory installed.

¹⁴ Replacement of tank ft. requires the use of mounting tape. See part number listed.

¹⁵ Lubricate O-ring liberally w/silicone lubricant and tighten to following spec: TA30D, 35D, 40D, 50D, 60D. Handtight plus 1/4 turn min. TAI00 D Handtight plus 3/4 turn min.

¹⁶ Tagelus Filter models TA30, 35, 40, 50, 60 manufactured after Nov. 1, 1991 were manufactured w/a btr. thread top opening and utilize a btr. style valve which is black in color. A change was made to the port arrangement in April, 1993 which will require that minor changes be made to the valve plumbing connections when replacing valves on filters manufactured between Nov. 1991 and Mar. 1993.
DO NOT ATTEMPT TO INTERCHANGE THREAD TYPES.

¹⁷ Tagelus Filter models TA30, 40, 50, 60 manufactured before Nov. 1, 1991 were manufactured w/a "V" thread style valve that is white or brown in color. These valves may be replaced only w/"V" thread style valve P/N 261124, see Detail B.
DO NOT ATTEMPT TO INTERCHANGE THREAD TYPES.

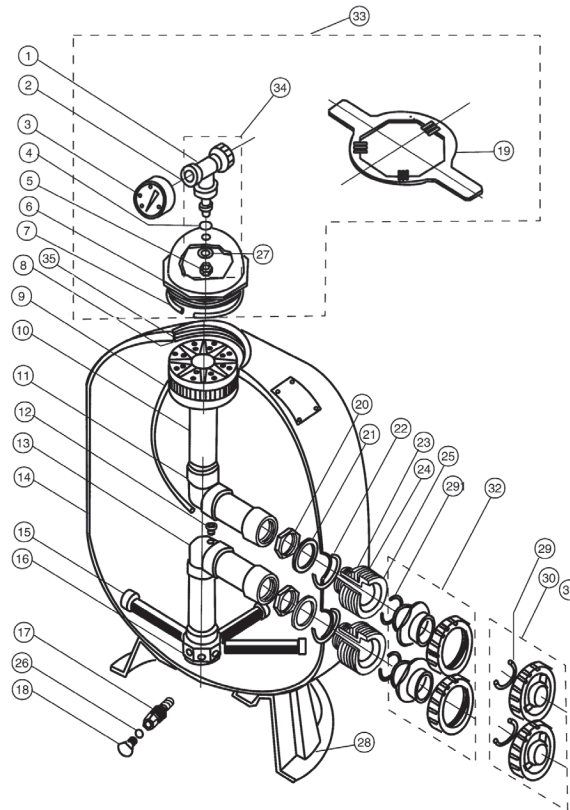
¹⁸ Tagelus Clamp Filter models TA30D, 35D, 40D, 50D, 60D manufactured after Nov. 1, 1991 were manufactured w/a btr. thread top opening and utilize a btr. thread valve adptr. P/N 154555, see Detail A.
DO NOT ATTEMPT TO INTERCHANGE THREAD TYPES.

¹⁹ Tagelus Clamp Filter models TA30D, 40D, 50D, 60D manufactured before Nov. 1, 1991 were manufactured w/a "V" thread top opening and utilize a "V" thread valve adptr. P/N 155225, see Detail B.
DO NOT ATTEMPT TO INTERCHANGE THREAD TYPES.

²⁰ TA60D Filters manufactured after June 1, 2007 have new 1/4 turn laterals.

Triton® II Filters

Replacement Parts for Fiberglass Filters



Item	Part No.	Description	US List	Can. List
TRITON II SAND FILTERS				
1	I54689	Air bleeder/tee assembly ¹³	22.69	25.41
2	I54700	Adapter, brass air bleeder ¹³	9.43	10.56
3	I90059	Gauge, back mount pressure ¹³	34.18	38.28
4	I54661	O-ring, air bleeder adapter ¹³	1.40	1.57
5	I54664	Nut, 3/8 in., 16 SS ¹³	1.37	1.53
6	I54570	Closure 6 in. btr. thread, see Detail A ¹³	65.40	73.25
6	I54559	Closure 6 in. "V" thread, black, see Detail B ¹³	43.82	49.08
7	I54493	O-ring closure, 6 in., white ¹³	4.22	4.73
8	I54578	Strainer air relief, 1/4 in. ³	11.08	12.41
8	I50035	Strainer air relief, 3/8 in. ⁴	7.53	8.43
9	I54435	Tube air relief TR40 ³	13.10	14.67
9	I50039	Tube air relief TR40 ⁴	15.39	17.24
9	I54436	Tube air relief TR50/60 ³	13.10	14.67
9	I50040	Tube air relief TR50/60 ⁴	15.39	17.24
9	I54437	Tube air relief TR100 ³	14.27	15.98
9	I50041	Tube air relief TR100 ⁴	12.12	13.57
9	I54438	Tube air relief TR140 ³	18.44	20.65
9	I50042	Tube air relief TR140 ⁴	11.28	12.63
10	I54598	Diffuser assembly TR40/50	40.92	45.83
10	I54599	Diffuser assembly TR60	40.92	45.83

Item	Part No.	Description	US List	Can. List
10	I54462	Diffuser assembly TR100	40.92	45.83
10	I54906	Diffuser assembly TR140	45.97	51.49
11	I54803	Piping assembly upper TR40	36.80	41.22
11	I56814	Piping assembly upper TR50	35.51	39.77
11	I54533	Piping assembly upper TR60	61.56	68.95
11	I54426	Piping assembly upper TR100	38.83	43.49
11	I54500	Piping assembly upper TR140	10.68	11.96
12	I54440	Connector air relief tube ¹	1.28	1.43
12	I50036	Connector air relief tube ⁴	55.44	62.09
13	I54801	Piping assembly lower TR40	43.99	49.27
13	I56816	Piping assembly lower TR50	42.83	47.97
13	I54805	Piping assembly lower TR60	71.78	80.39
13	I55284	Piping assembly lower TR60 ¹⁴	44.03	49.31
13	I54807	Piping assembly lower TR/PFI100	45.39	50.84
13	I54489	Piping assembly lower TR140	795.96	891.48
14	I54636	Tank & ft. assembly TR40, 6 in. btr. thd., Detail A	809.47	906.61
14	I54637	Tank & ft. assembly TR50, 6 in. btr. thd., Detail A	911.46	1020.84
14	I54638	Tank & ft. assembly TR60, 6 in. btr. thd., Detail A	1272.87	1425.61
14	I54639	Tank & ft. assembly TR100, 6 in. btr. thd., Detail A	1872.64	2097.36
14	I54640	Tank & ft. assembly TR140, 6 in. btr. thd., Detail A	1820.75	2039.24

Triton® II Filters (Cont'd)

Replacement Parts for Fiberglass



Item	Part No.	Description	US List	Can. List
TRITON II SAND FILTERS				
14	156224	Tank & ft. assembly TR100HD btr. thread, black HD	1409.25	1578.36
15	152290	Lateral, 6-11/16 in. L TR40/50/60, 8 req.	5.96	6.68
15	150085	Lateral TR60 Grey. 1/4 turn ¹⁴	7.03	7.87
15	152202	Lateral, 9-1/8 in. L TR100, 8 req. ⁶	8.19	9.17
15	154540	Lateral, 12 in. L TR140, 8 req.	16.37	18.33
15	150088	Lateral, ClearPro	84.38	94.51
16	154763	Hub lateral TR40/50/60	25.01	28.01
16	155753	Hub lateral, ClearPro- 6 req ¹⁴	34.28	38.39
16	154453	Hub lateral TR100/140	83.81	93.87
17	152220	Sand drain, 2 in.	32.57	36.48
17	154698	Spigot, 3/4 in. NPT sand drain ⁸	20.74	23.23
17	154685	Spigot, 1/2 in. NPT sand drain ⁷	15.16	16.98
18	154871	Cap thd., 1-1/2 in.	6.70	7.50
18	154699	Plug, 1/4 in. NPT drain ⁸	CALL	CALL
18	154481	Plug, 1/4 in. drain plug, black	1.33	1.49
19	154512	Wrench, 6 in. closure ¹³	20.47	22.93
19	154510	Wrench closure aluminum, 6 in. ¹³	153.79	172.24
20	154412	Locknut, 2 in. internal, 2 req.	7.81	8.75
21	154416	Spacer, 2 in. internal, 2 req.	11.38	12.75
22	154492	O-ring, 2 in. bulkhead, 2 req.	2.07	2.32
23	154408	Spacer, 2 in. external, 2 req.	11.38	12.75
24	154538	Gasket, 2 in. bulkhead, 2 req.	1.70	1.90
25	154405	Bulkhead, 2 in., 2 req.	58.50	65.52
26	154492	O-ring, 3/16 in. x 2-5/8 in. i.d., use 274494	2.07	2.32
26	192115	O-ring drain plug ⁸	1.00	1.12
27	154418	Washer, 3/8 in. SS ¹³	0.95	1.06
28	154926	Foot, 16 in. dia., TR40/50 ^{2, 11}	77.86	87.20
28	154520	Foot, 19 in. dia., TR60 ^{2, 11}	80.24	89.87
28	154596	Foot, 24 in. dia., TR100/140 ^{2, 11}	118.25	132.44
29	274494	O-ring valve adptr., 2 req.	3.85	4.31
30	271092	2 in. Thread adapter. kit ⁹	48.53	54.35
31	271094	1-1/2 in. Thread adapter. kit ⁹	48.53	54.35
32	271096	1-1/2 in. & 2 in. Slip adapter. kit ⁹	48.53	54.35
33	154641	Kit closure, 6 in. btr. thread, black, Detail A ¹³	155.37	174.01
33	154697	Kit closure, 6 in. "V" thread, tan, Detail B ¹³	150.87	168.97
33	154856	Kit closure, 8-1/2 in. btr. thread, black ^{10, 13}	193.36	216.56
34	154687	Fitting package complete ^{12, 13}	38.46	43.08
35	154611	Spacer air vent strainer, 3-3/4 in., TR40	5.13	5.75
35	154612	Spacer air vent strainer, 4-1/2 in., TR50/60	5.13	5.75
35	154613	Spacer air vent strainer, 5-1/2 in., TR100	5.13	5.75
35	154614	Spacer air vent strainer, 5 in., TR140	5.13	5.75
NOT SHOWN				
	154402	Tape ft. mounting TR40/50/60, 3 req.	5.13	5.75
	154407	Tape ft. mounting TR100/140, 3 req.	7.03	7.87
	151602	Bulkhead wrench, 2 in.	226.68	253.88
	154714	Bulkhead kit include items 20-25	121.96	136.60
	151608	Aluminum wrench, 8-1/2 in.	237.62	266.13

Filters manufactured after Dec 1, 1991 utilize a 6 in. btr. thread in the filter tank top opening and on the closure, see Detail A.

Filters manufactured before Dec 1, 1991 utilize a 6 in. "V" type thread, see Detail B.

6 in. closures in Detail A and B are NOT interchangeable.



Detail A after 12/1/91
6 in. btr. Thread.



Detail B before 12/1/91
6 in. "V" Thread.

¹ Used on filters manufactured before 2-89.

² Used on filters manufactured after 2-89.

³ Used on filters manufactured before 11-1-99.

⁴ Used on filters manufactured after 11-1-99.

⁵ Used on filters manufactured before 5-85.

⁶ Used on filters manufactured after 5-85.

⁷ Used on filters manufactured before 3-83.

⁸ Used on filters manufactured after 3-83 thru 3-96.

⁹ For installations w/out valve, pair.

¹⁰ Used on all TR100 & 140 filters manufactured after 10-1-01.

¹¹ Replacement of tank foot requires the use of foot mounting tape. See P/N's.

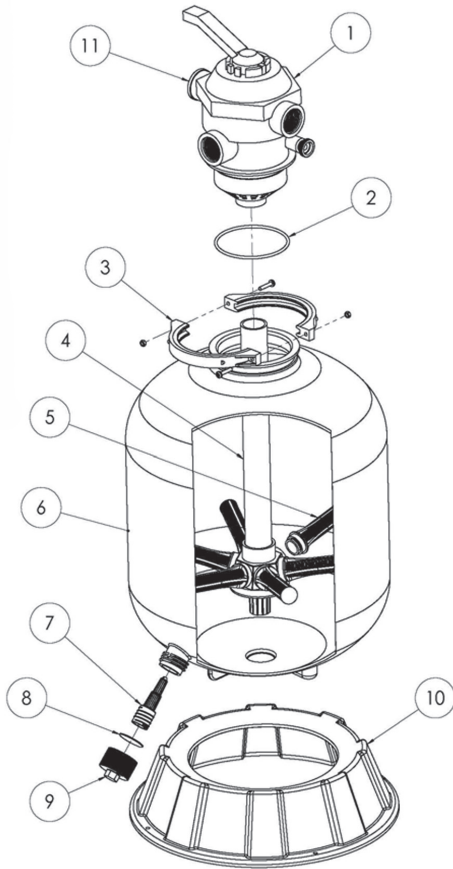
¹² Fitting package includes items 1,2,4,5 and 27.

¹³ For individual parts for closure kit for TR100 and TR140 see page 367.

¹⁴ For TR60's built after 6-07.

Cristal-Flo™ II High-Rate Sand Filters

Replacement Parts



Item	Part No.	Description	US List	Can. List
CRISTAL-FLO II HIGH-RATE SAND FILTERS				
1	262506	Valve, 1-1/2 Inch, 6-Way	169.96	190.36
2	272541	O-Ring Valve Body	6.34	7.10
3	152165	Clamp Assembly	19.47	21.81
4	152229	Piping Assembly – 16 in. Tank	100.86	112.96
4	152228	Piping Assembly – 19 in. Tank	93.11	104.28
4	152227	Piping Assembly – 22 in. Tank	108.24	121.23
4	152000	Piping Assembly – 24 in. Tank	107.70	120.62
4	152226	Piping Assembly – 26 in. Tank	84.87	95.05
5	150084	Lateral – 16 in. & 19 in. Tanks	5.62	6.29
5	150085	Lateral – 22 in., 24 in., & 26 in. Tanks	7.03	7.87
6	145364	Tank w/Drain – 16 in. Tank	222.45	249.14
6	145365	Tank w/Drain – 19 in. Tank	295.10	330.51
6	145366	Tank w/Drain – 22 in. Tank	408.58	457.61
6	145369	Tank w/Drain – 24 in. Tank	494.62	553.97
6	145370	Assembled Tank w/Drain – 26 in. Tank	580.64	650.32
7	154711	Sand Drain	14.15	15.85
8	154715	Gasket (Sand Drain)	4.80	5.38
9	154712	Drain Cap	24.93	27.92
10	154926	Foot, 16 in. Tank	77.86	87.20
10	154520	Foot, 19 in., 22 in., 24 in., & 26 in. Tanks	80.24	89.87
11	190059	Pressure Gauge	34.18	38.28
NOT SHOWN				
	155151	Kit, Flex Hose, 6 ft.	81.18	90.92
	155005	Kit, Flex Hose, 12 ft.	107.13	119.99
	150119	Union Kit	59.33	66.45

Cristal-Flo™ High-Rate Sand Filters

T-BP Series Replacement Parts for filters manufactured prior to 2009



Item	Part No.	Description	US List	Can. List
CRISTAL-FLO HIGH-RATE SAND FILTERS				
1	WC112-148	Multiport Valve, Top Mount ¹	CALL	CALL
1	I4971-TM-22-L	Multiport Valve, Top Mount ¹ - Model T-240BP-2	252.18	282.44
2	U9-369	O-Ring, Valve Flange	13.55	15.18
3	WC19-87A	V-Clamp ³	125.92	141.03
4	WC36-22	Clamp Knob ³	10.52	11.78
5	24200-0110	Collector Hub Assembly - Model T-150BP-1	82.30	92.18
5	WC137-516P	Collector Hub Assembly - Model T-170BP-1	84.12	94.21
5	WC137-517P	Collector Hub Assembly - Model T-200BP-1	86.72	97.13
5	WC137-519P	Collector Hub Assembly - Model T-240BP-1	84.12	94.21
5	24204-0029	Collector Hub Assembly - Model T-240BP-2	145.07	162.48
5	24205-0010	Collector Hub Assembly T-300BP-2	282.27	316.14
6	24600-0003	Lateral - T-150BP, T-170BP, T-200BP	7.65	8.57
6	24700-0075	Lateral - T-240BP	11.96	13.40
6	21180-0100	Lateral, T-300BP-2	18.45	20.66
7	I45359	Filter Tank - T-150BP	403.04	451.40
7	I45360	Filter Tank - T-170BP	483.87	541.93
7	I45361	Filter Tank - T-200BP	547.11	612.76
7	I45362	Filter Tank - T-240BP	564.61	632.36
8	U9-370	O-Ring, Lateral	1.44	1.61
9	24600-0003	Drain Lateral ²	7.65	8.57
10	U9-371	O-Ring, Drain Cap	2.64	2.96
11	I4965-0025	Drain Cap	22.48	25.18
12	23910-0005	Pedestal - T-150BP, T-170BP, T-200BP	135.96	152.28
12	23900-0105	Pedestal - T-240BP	142.72	159.85
12	23900-0105A	Pedestal, T-300BP-2	126.30	141.46
NOT SHOWN				
	CI98-5	Union Coupling Package	33.00	36.96
	24201-0043	Sand Loading Disc	12.11	13.56
	24201-0063	Sand Loading Disc - T-240BP, T-300BP-2	15.30	17.14
	33600-0023T	Pressure Gauge	36.79	41.20
	WC119-87	Parts Bag, T-300BP-2	145.98	163.50
	261186	Replacement Valve	216.34	242.30

MODELS

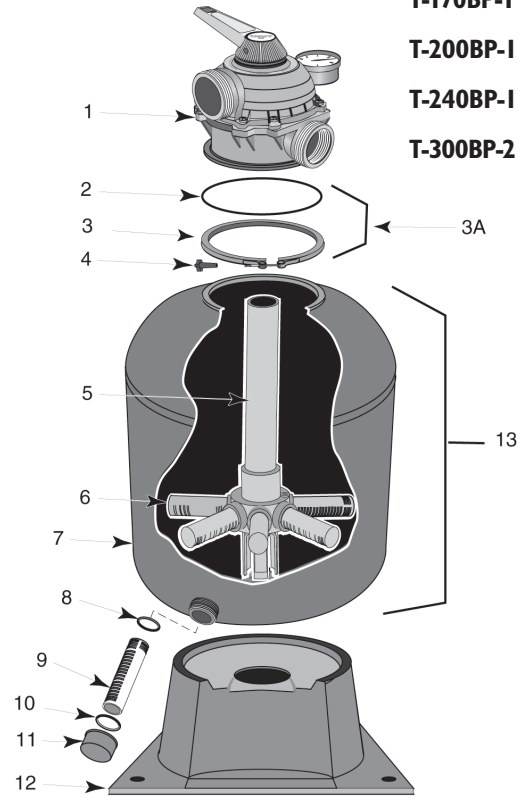
T-150BP-1

T-170BP-1

T-200BP-1

T-240BP-1

T-300BP-2



¹ Tank and Drain Plug components only.

² Cut to length.

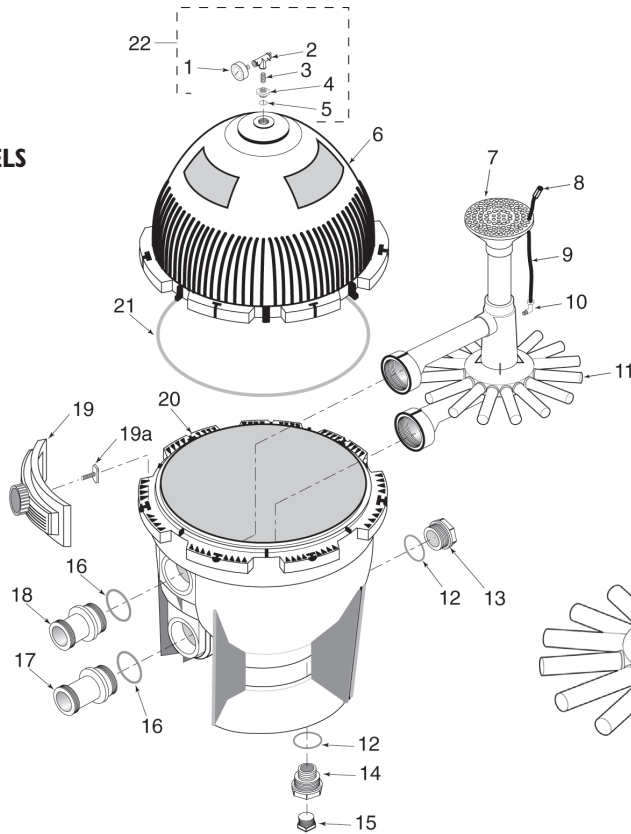
³ Included in Clamp Kit, Part No. WC119-87.

System:3® Sand Filters

SS Series Replacement Parts

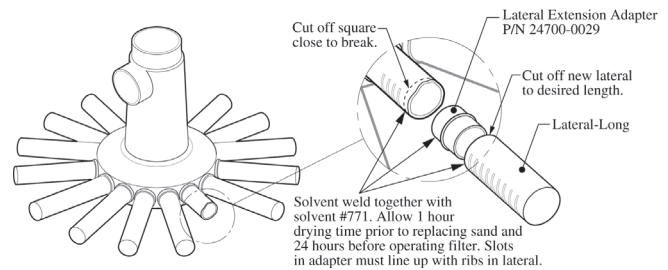


MODELS
S7S50
S8S70



Lateral repair procedure.

⚠ WARNING To avoid serious personal injury or property damage, follow cement manufacturer's instructions exactly.



Item	Part No.	Description	US List	Can. List
SYSTEM:3 SAND FILTERS				
1	33600-0023T	2 in. Gauge	36.79	41.20
2	154689	Valve Assembly	22.69	25.41
•	U212-252DS	Brass Deluxe Air Bleed (optional)	36.58	40.97
3	35202-0959	Nipple	10.47	11.73
4	24900-0504	Adapter Bushing	13.97	15.65
5	35505-1423	O-Ring	1.49	1.67
6	24851-9000	Tank - Upper Half Kit ² - Model S7S50	747.94	837.69
6	24851-9001	Tank - Upper Half Kit ² - Model S7S70	919.98	1030.38
7	24900-0100S	Collector - Assembly (Includes Laterals) - Model S7S50	481.69	539.49
7	24901-0100S	Collector - Assembly (Includes Laterals) - Model S8S70	498.52	558.34
8	WC8-126	Air Bleed Filter (Blue)	CALL	CALL
9	WC37-386P	Vent Tube	11.43	12.80
10	WC78-84P	Elbow - Male Parflex	CALL	CALL
11	24900-0002	Lateral - Model S7S50	9.24	10.35
11	24901-0003	Lateral - Model S8S70	10.48	11.74
12	35505-1424	O-Ring	6.95	7.78
13	24900-0503	Plug (Sand Removal)	21.34	23.90
14	24900-0505	Drain Fitting	19.58	21.93
15	27001-0022S	1-1/2 in. NPT Plug	CALL	CALL
16	35505-1425	O-Ring	11.55	12.94
17	24900-0500	Tank Fitting	37.19	41.65

Item	Part No.	Description	US List	Can. List
18	24900-0501	Tank Fitting	33.15	37.13
19	24850-0200	Clamp Assembly ³	97.65	109.37
19A	24850-0010	Clamp Bolt ³	23.66	26.50
20	24850-0104S	Tank - Lower Half - Model S7S50	CALL	CALL
20	24851-0105S	Tank - Lower Half - Model S8S70	CALL	CALL
21	24850-0008	Cord Ring - Model S7S50	47.87	53.61
21	24850-0009	Cord Ring - Model S8S70	54.76	61.33
22	24850-0105	Valve & Gauge Assembly (Includes #1, 2, 3, 4, 5)	74.75	83.72
NOT SHOWN				
	24700-0029	Lateral Extension Adapter ^{1,4}	5.17	5.79
	24850-0016	Clamp Retaining Ring ³	5.04	5.64
	25021-2021	System:3 Sand Conversion Kit #12,13,14,15,16,17,18) - Model S7S50 - Must also buy item # 7 separately	136.15	152.49
	25021-2025	System:3 Sand Conversion Kit #12,13,14,15,16,17,18) - Model S8S70 - Must also buy item # 7 separately	136.15	152.49

¹ Available for lateral repairs.

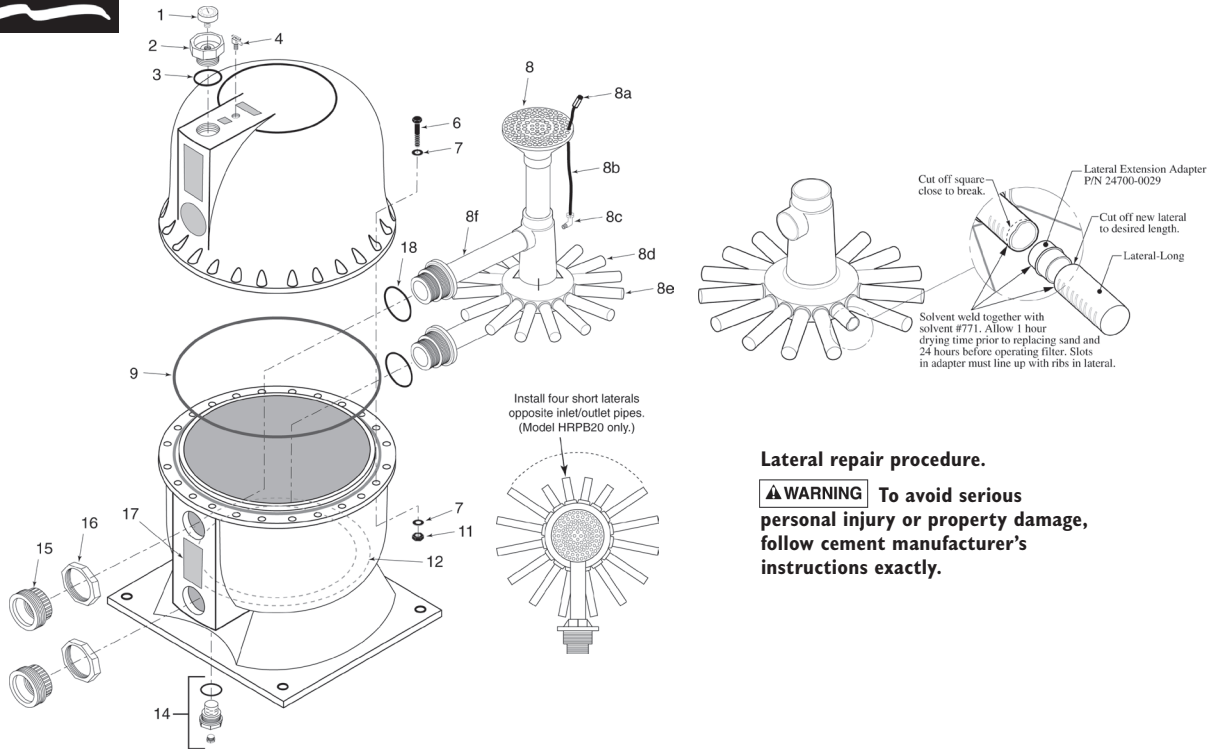
² Includes all decals and labels.

³ Model S7S50 uses seven clamps and bolts; Model S8S70 uses eight.

⁴ As required.

HRPB High-Rate Sand Filters

Replacement Parts



Lateral repair procedure.
⚠ WARNING To avoid serious personal injury or property damage, follow cement manufacturer's instructions exactly.

Item	Part No.	Description	US List	Can. List
HIGH-RATE SAND FILTERS				
1	33600-0023T	Pressure Gauge ¹	36.79	41.20
2	24750-0065	Fill Cap Assembly	14.15	15.85
3	35505-1317	O-Ring ¹	CALL	CALL
4	U212-252D	Air Release Valve ¹	20.66	23.14
6	U30-884ZP	Bolt, 3/8-16 x 2-1/4 in. - Model HRPB20	CALL	CALL
6	U30-91ZP	Bolt, 1/2-13 x 2-1/2 in. - Model HRPB24	2.19	2.45
6	U30-901ZP	Bolt, 1/2-13 x 2-3/4 in. - Model HRPB30	CALL	CALL
7	U43-62ZP	Washer, Flat 3/8 in. - Model HRPB20	CALL	CALL
7	U43-129ZP	Washer, Flat 1/2 in. Model HRPB24, HRPB30	0.60	0.67
8	24750-0520A	Internal Assembly (Kit) ⁴ Model HRPB20	CALL	CALL
8	24751-0110S	Internal Assembly (Kit) ⁴ Model HRPB24	392.48	439.58
8	24752-0110S	Internal Assembly (Kit) ⁴ Model HRPB30	552.60	618.91
8A	WC8-126	Air Bleed Filter	CALL	CALL
8B	150100	Tube	CALL	CALL
8C	WC78-84P	Compression Elbow	CALL	CALL
8D	24735-0011	Lateral - Short - Model HRPB20	8.65	9.69

Item	Part No.	Description	US List	Can. List
8E	24600-0003	Lateral - Long - Model HRPB20	7.65	8.57
8E	24700-0075	Lateral - Long Model HRPB24, Model HRPB30	11.96	13.40
8F	WC178-93P	Tank Fitting Assembly ⁴ Model HRPB20	CALL	CALL
8F	24751-0010	Tank Fitting Assembly ⁴ Model HRPB24	CALL	CALL
8F	24752-0010	Tank Fitting Assembly ⁴ Model HRPB30	57.93	64.88
9	24750-0006	O-Ring - Model HRPB20	28.07	31.44
9	24751-0006	O-Ring - Model HRPB24	31.56	35.35
9	24752-0006	O-Ring - Model HRPB30	37.12	41.57
11	U36-38C	Nut, 3/8-16 - Model HRPB20	CALL	CALL
11	U36-39C	Nut, 1/2-13 - Model HRPB24, HRPB 30	CALL	CALL
12	37685-0006A	Tape	2.48	2.78
14	24700-0413	Plug with O-Ring ¹	34.29	38.40
15	U11-198P	Union Adapter	CALL	CALL
17	24752-0049	Fitting Nut, 2 in.	21.61	24.20
18	35515-1296	O-ring	CALL	CALL
NOT SHOWN				
	24700-0029	Lateral Extension Adapter ^{2,3}	5.17	5.79
	31390-0582	Mastic Strip	2.33	2.61

¹ Included in Air Release/Fill Cap Package, Part No. 24750-0065.

² Available for lateral repairs.

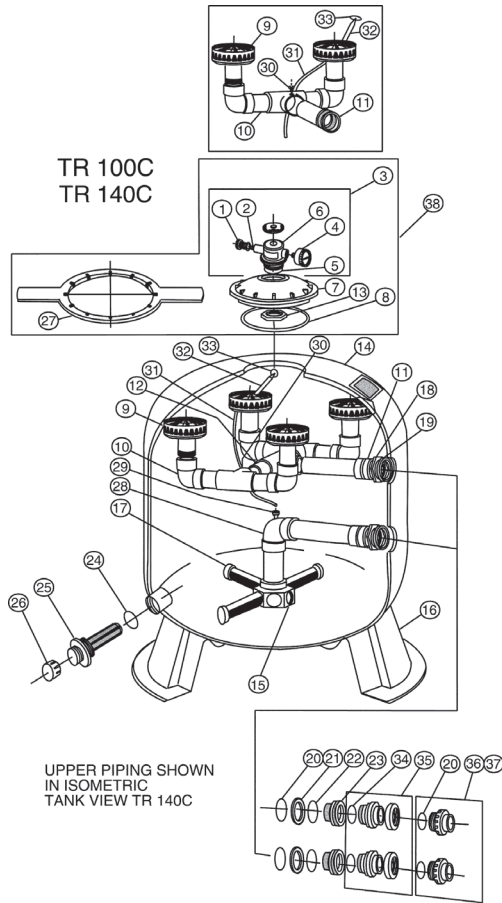
³ Quantity as required.

⁴ When purchasing Assembly, also purchase Mastic Strips #31390-0582.

⁵ When ordering Lower Shell, also order Key Nos. 10 (tape) and 15 (Inlet-Outlet Label).

TRI00C™ & TRI40C™ Filters

Replacement Parts for Commercial Fiberglass Filters



Item	Part No.	Description	US List	Can. List
TRI00C & TRI40C SAND FILTERS				
1	273512	Air bleeder w/O-ring	9.07	10.16
2	273513	O-ring air bleeder screw	0.74	0.83
3	273564	Manual air relief body assembly	84.91	95.10
4	190059	Pressure gauge	34.18	38.28
5	274495	O-ring, 3/16 in. x 2-5/8 in. i.d.	1.12	1.25
6	273564	Valve body machined ARF	84.91	95.10
7	154575	Closure, 8-1/2 in. btr.	52.92	59.27
8	152509	Square ring 8-1/2 in.	5.83	6.53
9	154599	Diffuser Assembly	40.92	45.83
10	156355	Piping assembly upper TRI00C, TRI40C ¹	81.49	91.27
11	156344	Piping assembly upper inlet TRI00C, TRI40C	57.38	64.27
12	156354	Piping connecting assembly upper TRI40C	64.73	72.50
13	154412	Nut, 2 in. internal	7.81	8.75

Item	Part No.	Description	US List	Can. List
TRI00C & TRI40C SAND FILTERS				
14	153430	Tank & ft. assembly TRI00C, 8-1/2 in. btr. thd., black	1284.96	1439.16
14	153431	Tank & ft. assembly TRI40C, 8-1/2 in. btr. thd., black	1872.64	2097.36
15	154453	Hub lateral TRI00C/TRI40C	83.81	93.87
16	154596	Foot, 24 in. dia. TRI00C/TRI40C	118.25	132.44
17	152202	Lateral, 9-1/8 in. TRI00C, 8 req.	8.19	9.17
17	154540	Lateral, 12 in. TRI40C, 8 req.	16.37	18.33
18	154412	Locknut, 2 in. internal	7.81	8.75
19	154416	Spacer, 2 in. internal	11.38	12.75
20	154492	O-ring, 2 in. bulkhead	2.07	2.32
21	154408	Spacer, 2 in. external	11.38	12.75
22	154538	Gasket, 2 in. bulkhead	1.70	1.90
23	154405	Bulkhead, 2 in.	58.50	65.52
24	274494	O-ring, 3/16 in. x 2-5/8 in.	3.85	4.31
25	152220	2 in. sand drain	32.57	36.48
26	154871	Cap thd., 1-1/2 in.	6.70	7.50
27	154527	Wrench, 8-1/2 in. closure	23.32	26.12
28	154807	Piping assembly lower TRI00C	44.03	49.31
28	154489	Piping assembly lower TRI40C	45.39	50.84
29	150036	Connector air relief tube ³	1.28	1.43
30	273071	Screw, No.14 18-8 TRI00C ¹	1.37	1.53
31	154437	Tube air relief TRI00C ²	14.27	15.98
31	150041	Tube air relief TRI00C ³	12.12	13.57
31	154438	Tube air relief TRI00C ²	18.44	20.65
31	150042	Tube air relief TRI40C ³	11.28	12.63
32	154507	Spacer air vent strainer TRI00C 6-3/4 in.	6.83	7.65
32	154508	Spacer air vent strainer TRI40C 10-5/16 in.	8.86	9.92
33	154578	Strainer air relief ²	11.08	12.41
33	150035	Strainer air relief ³	7.53	8.43
34	274494	O-ring valve adapter	3.85	4.31
35	271096	1-1/2 in. & 2 in. clip adaptor kit for inst. w/o valve (pair)	48.53	54.35
36	271092	2 in. thd. adaptor kit for inst. w/o valve (pair)	48.53	54.35
37	271094	1-1/2 in. thd. adaptor kit for inst. w/o valve (pair)	48.53	54.35
38	154856	Kit closure 8-1/2 in. btr. thd. blk.	193.36	216.56

¹ Different quantities required for TRI00C and TRI40C Filters.

² Use on filters manufactured before 11-1-99.

³ Use on filters manufactured after 11-1-99.

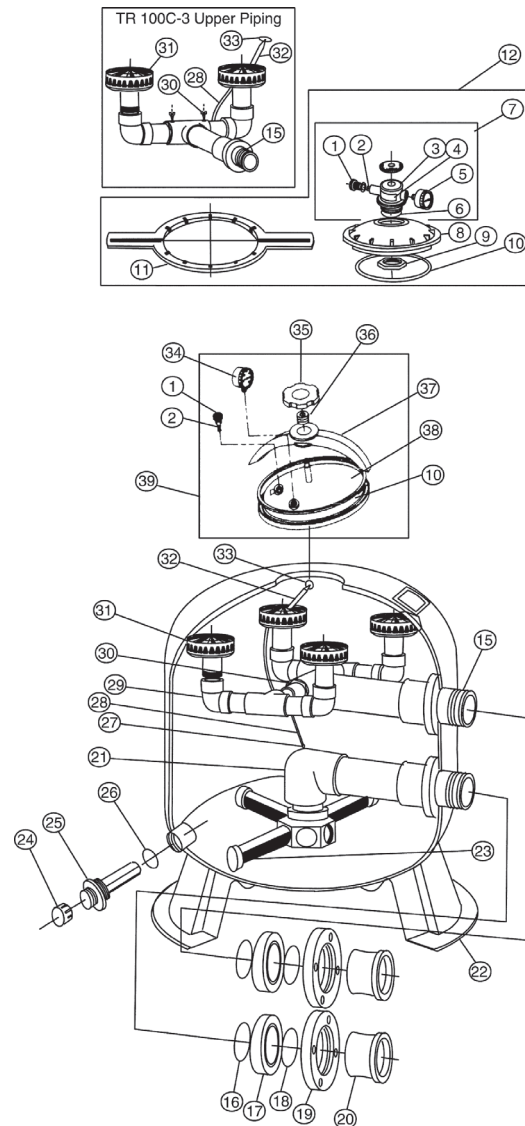
Triton® C-3 Filters

Replacement Parts for Fiberglass Filters



Item	Part No.	Description	US List	Can. List
TRITON C & C-3 SAND FILTERS				
1	273512	Air bleeder with O-ring ^{2,3}	9.07	10.16
2	273513	O-ring air bleeder screw ²	0.74	0.83
3	273564	Valve body machined ²	84.91	95.10
4	272546	Label warning manual air relief ²	0.89	1.00
5	190059	Pressure gauge ²	34.18	38.28
6	154494	O-ring adapter, 6 in. ²	3.34	3.74
7	273564	Manual air relief assembly ²	84.91	95.10
8	154575	Closure 8-1/2 in. ²	52.92	59.27
9	154412	Locknut, 2 in. internal	7.81	8.75
10	152509	Square ring-closure ^{2,3}	5.83	6.53
11	154527	Wrench, 8-1/2 in. closure ²	23.32	26.12
12	154856	Kit, 8-1/2 in. closure butt thread ²	193.36	216.56
15	154007	Upper piping assembly TR 100C-3	117.70	131.82
15	154008	Upper piping assembly TR 140C-3	119.77	134.14
16	154005	O-ring parker 2-343, 2 req.	5.13	5.75
17	154002	Spacer, 3 in., 2 req.	49.07	54.96
18	154004	O-ring parker 2-342, 2 req.	5.13	5.75
19	154003	Flange, 3 in., 2 req.	61.69	69.09
20	154001	Adapter flange, 3 in., 2 req.	50.73	56.82
21	154009	Lower piping assembly TR 100C-3	120.22	134.65
21	154010	Lower piping assembly TR 140C-3	118.58	132.81
22	154596	Foot, 24 dia. TR 100C-3/140C-3	118.25	132.44
23	152202	Lateral, 9 in. TR 100C-3, 8 req.	8.19	9.17
23	154540	Lateral, 12 in. TR 140C-3, 8 req.	16.37	18.33
24	154871	Cap thd., 1-1/2 in.	6.70	7.50
25	152220	Sand drain, 2 in.	32.57	36.48
26	274494	O-ring, 3/16 in. x 2-5/8 in. i.d., 2 req.	3.85	4.31
27	154440	Connector air relief tube	10.68	11.96
28	154437	Tube air relief TR 100C-3 (23 in.)	14.27	15.98
28	154438	Tube air relief TR 140C-3 (27 in.)	18.44	20.65
29	154018	Diffuser piping assembly TR 140C-3, 2 req	161.32	180.68
30	273071	Screw, No.10-1-1/2 in. flathead phillips, 2 req.	1.37	1.53
31	154599	Diffuser (2 req'd. for TR 100C-3), 2 req.	40.92	45.83
31	154599	Diffuser (4 req'd. for TR 140C-3), 4 req.	40.92	45.83
32	154507	Spacer TR 100C-3, 6-3/4 in.	6.83	7.65
32	154508	Spacer TR 140C-3, 10-5/16 in.	8.86	9.92

Item	Part No.	Description	US List	Can. List
33	154578	Strainer air relief	11.08	12.41
34	190058	Pressure gauge, 1/4 in. psi ³	34.18	38.28
35	154581	Knob TR oval ³	15.39	17.24
36	154582	Spring TR oval ³	36.09	40.42
37	154579	Bridge TR oval ³	85.79	96.08
38	154576	Closure oval ³	80.67	90.35
39	156841	Kit TR oval closure ^{1,3}	271.21	303.76



¹ P/N 156841 includes items 1, 10, 34 thru 38.
² Used on filters manufactured before 3-97.
³ Used on filters manufactured after 3-97.

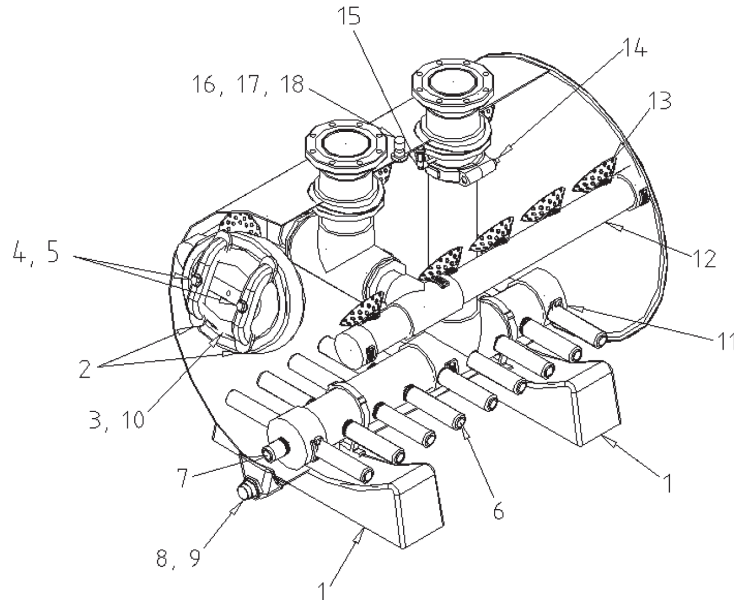
Sch 40 & 80 for TRI00C, TRI40C & TRI00C-3, TRI40C-3 Tandem Filter Piping kits for 2 in. and 3 in. Filters



Item	Description	Schedule	Qty.
THE FOLLOWING ARE INCLUDED IN KITS FOR TR C FILTERS			
1	Flange VS, socket, 150 lb.	80	2
2	Flange VS, spigot, 150 lb.	80	6
3	Butterfly valve, Asahi SP		4
4	Hardware kit, valve/flange hardware (No. 1), Includes: 16-5/8 x 6 in. hex head bolts, 16-5/8 in. nuts, 32-5/8 in. washers		1
5	Socket reducer tee	40	4
6	2 in. Spigot x socket 45° str. elbow	40	4
7	2 in. Spigot female adapter, spigot x fipt	40	4
8	2 in. Valve adapter kit		2
9	Socket tee	40	1
10	90° Socket elbow	40	1
11	Socket reducer saddle	40	6
12	2 in. Flange one-piece socket, 150 lb.	80	2
SINGLE TANK 2 IN. ADDER KIT			
1	Socket reducer tee, 4 x 2	40	2
2	2 in. Spigot x socket 45° str. elbow	40	2
3	2 in. Spigot female adapter, spigot x fipt	40	2
4	2 in. Valve adapter kit		1
5	Socket reducer saddle, 4 x 2	40	3
6	2 in. Flange one-piece socket, 150 lb.	80	1
THE FOLLOWING ARE INCLUDED IN KITS FOR TR C-3 IN. FILTERS			
1	Flange VS, socket, 150 lb.	80	2
2	Flange VS, spigot, 150 lb.	80	6
3	Butterfly valve, Asahi SP		4
4	Hardware kit, valve/flange hardware (No.1), Includes: 16-5/8 x 6 in. hex head bolts, 16-5/8 in. nuts, 32-5/8 in. washers		1
5	Socket tee	40	5
6	3 in. Spigot x socket 45° str. elbow	40	4
7	Socket reducer saddle	40	3
8	2 in. Flange one-piece socket, 150 lb. solid	80	1
9	3 in. Flange VS, spigot, 150 lb.	80	4
10	3 in. Bolt pack, tank/flange hardware w/gasket (No.4), Includes: 16-5/8 x 3-1/4 in. hex head bolts, 16-5/8 in. nuts, 32-5/8 in. washers		1
11	90° Socket elbow	40	1
SINGLE TANK 3 IN. ADDER KIT			
1	Socket reducer tee	40	2
2	3 in. Spigot x socket 45° str. elbow	40	2
3	Socket reducer saddle	40	3
4	2 in. Flange one-piece socket, 150 lb. solid	80	1
5	3 in. Flange VS, spigot, 150 lb.	80	2
6	3 in. Bolt pack, tank/flange hardware w/gasket (No.5), Includes: 8-5/8 x 3-1/4 in. hex head bolts, 8-5/8 in. nuts, 16-5/8 in. washers		1

THS Series® Horizontal Sand Filter

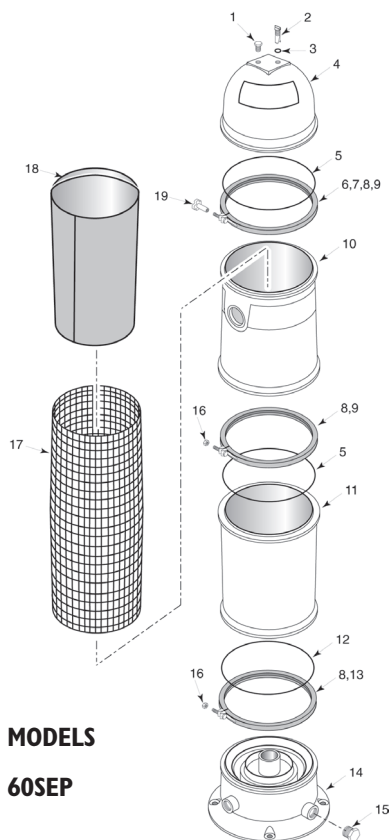
Replacement Parts



Item	Part No.	Description	Tank Used On	Qty.	US List	Can. List
THS SERIES® HORIZONTAL SAND FILTERS						
1	B4848BL-32	Tank Saddle, Black	All	2	CALL	CALL
3	B4852A-N	Glass Filled Manway Cover, Black	All	1	CALL	CALL
4	B4951	HHMB, 3/4 in. x 4 in., T316 S/S	All	2	CALL	CALL
5	94860	3/4 in. Flat Washer, T316 S/S	All	2	CALL	CALL
6	B4804	10 in. Effluent Lateral	THS3461	14	CALL	CALL
			THS3484	20	CALL	CALL
			THS4272	18	CALL	CALL
			THS4284	24	CALL	CALL
7	B4803	3-1/2 in. Effluent Lateral	THS4296	28	CALL	CALL
			THS3461 - THS3484	2	CALL	CALL
			THS4272 - THS4296	3	CALL	CALL
8	B4980	Media Dump Assembly	All	1	CALL	CALL
9	B4981X	1-1/2 in. NPT Tank Adapter	All	1	CALL	CALL
10	B4951	Manway O-ring	All	1	CALL	CALL
11	**	Effluent Manifold w/Laterals	**	1	147.09	164.74
12	**	Influent Manifold w/Laterals	**	1	147.09	164.74
13	B4806	Shower Head Diffuser	THS3461	8	CALL	CALL
			THS3484	10	CALL	CALL
			THS4272	10	147.09	164.74
			THS4284	12	147.09	164.74
			THS4296	14	CALL	CALL
14	B4570	4 in. Grooved Coupling Assembly	THS3461 - THS3484	1	CALL	CALL
15	B4578	Automatic Air Relief Assembly	All	1	CALL	CALL
16	B4974BAN	1/2 in. Manual Air Relief Cap	All	1	CALL	CALL
17	B4970BAN	1/2 in. Threaded Nipple	All	1	CALL	CALL
18	B4979BAN	1/2 in. Bulkhead Fitting	All	1	CALL	CALL

Separation Tank Assembly

Replacement Parts



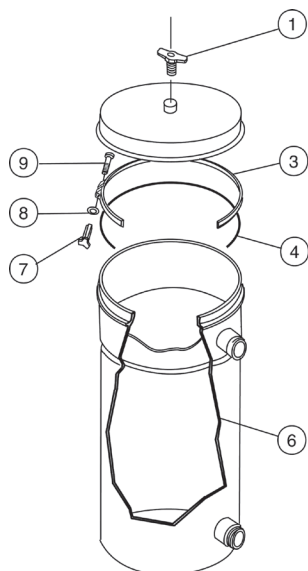
MODELS
60SEP

Item	Part No.	Description	US List	Can. List
SEPARATION TANK ASSEMBLY				
1	WC78-40T	Pipe Plug, 1/4 in. NPT	2.64	2.96
2	25010-0200	Air Release Valve Assembly	4.44	4.97
3	U9-359	O-Ring	CALL	CALL
4	25005-9001	Lid Assembly (Incl. #1, #2, & Decals)	CALL	CALL
5	25230-0010S	O-Ring	15.06	16.87
6	WC27-46	Decal "Top Clamp"	CALL	CALL
8	WC27-19	Decal "Clamp Warning"	CALL	CALL
9	25010-9101	"V" Clamp	134.98	151.18
10	25005-0001	Upper Body	213.54	239.16
11	25010-0001	Lower Body	232.75	260.68
12	WC9-3	O-Ring	22.76	25.49
13	25010-9100	"V" Clamp	124.26	139.17
14	WC104-78P	Base Assembly	161.17	180.51
15	36305-4008	1-1/2 in. PVC Plug	11.60	12.99
16	WC36-1	Clamp Nut	13.55	15.18
17	25005-0016	Separation Tank Liner	80.68	90.36
18	25005-0015	Separation Bag	182.64	204.56
19	WC36-22	Clamp Knob	10.52	11.78

Product on page 72.

Stainless Steel Separation Tank

Replacement Parts for Models SEP 48/72/96/144

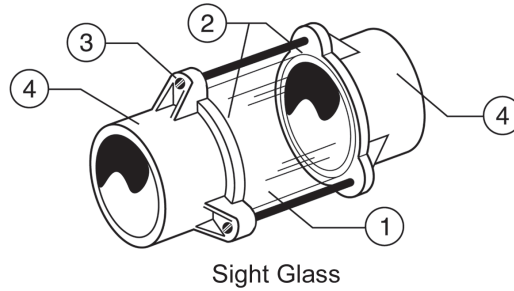


Item	Part No.	Description	US List	Can. List
SEPARATION TANK - SEP 48/72/96/144				
1	154662	Bleeder valve	9.30	10.42
3	313196	Band assembly, complete	125.76	140.85
4	313225Z	O-ring, tank	28.28	31.67
6	313200	Bag assembly No. 40, 7-1/2 in. length	109.65	122.81
6	313202Z	Bag assembly No. 80, 19 in. length	139.09	155.78
6	313201	Bag assembly No. 60, 13 in. length	117.88	132.03
7	174882	Knob, clamp assembly	27.99	31.35
8	072173	Washer, 5/16 in. SS flat	1.40	1.57
9	152060	Bolt, 5/16 in., 18 x 4 in. carriage	8.52	9.54

Product on page 72.

Sight Glass

Replacement Parts for American Products Models



Item	Part No.	Description	US List	Can. List
SIGHT GLASS				
2	51006100	Gasket, 2 req.	2.56	2.87
3	51006200	Bolt, 3 req.	CALL	CALL
4	51013200	Top and bottom ABS, 1-1/2 socket	CALL	CALL
NOT SHOWN				
	619312	Nut, 8-32, 3 req.	0.25	0.28

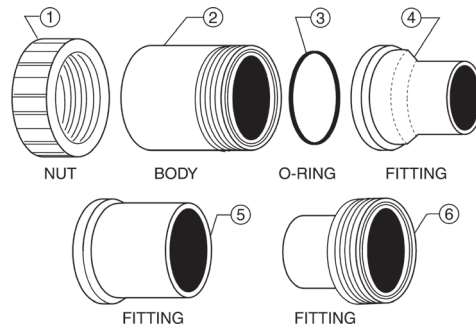
¹ Used on filters manufactured before 9-96.

² To upgrade sep. tanks manufactured after 9-96.

Product on page 75.

Unions

Replacement Parts



Item	Part No.	Description	US List	Can. List
UNIONS				
1	51013011	Nut, black	21.37	23.93
2	87201911	Fitting, 2 in. slip ABS	19.62	21.97
3	51013500	O-ring	4.97	5.57
4	87202411	Body male, 1-1/2 in., ABS	15.63	17.51
5	87202211	Body, 1-1/2 in. slip x 2 in. male ABS	18.23	20.42
6	87202100	Fitting male, 1-1/2 in., ABS	15.80	17.70

Product on pages 75–76.