



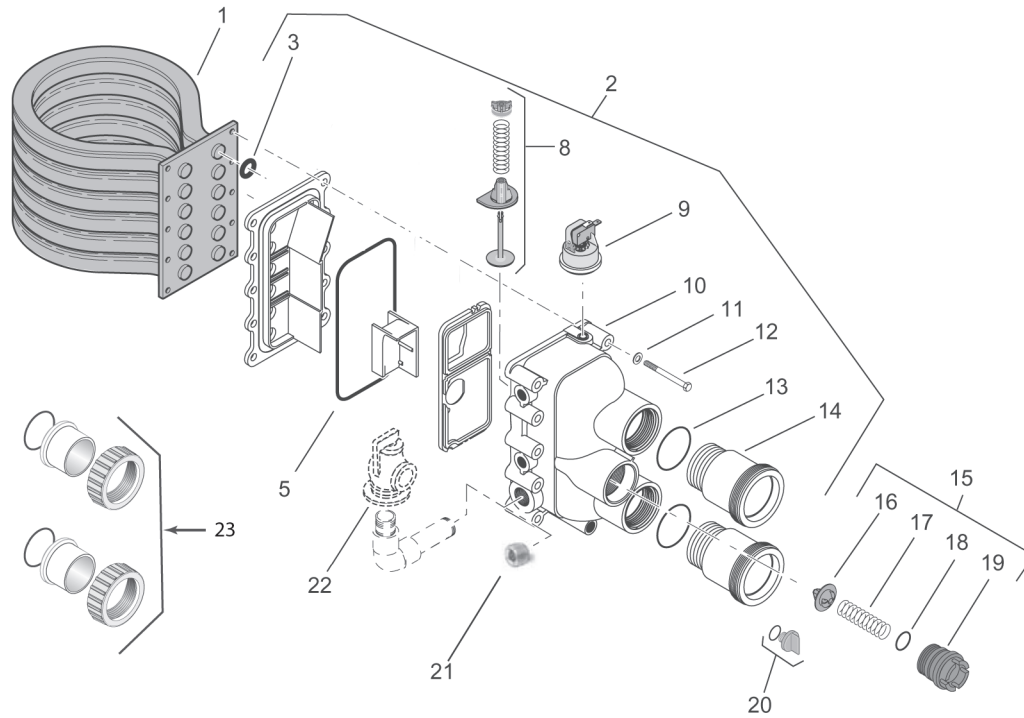
Heater & Heat Pump Parts

Replacement Parts for
Heaters & Heat Pumps



MasterTemp® Heater

Water System Replacement Parts



Item	Part No.	Description	US List	Can. List
WATER SYSTEM				
I	77707-0232	Tube Sheet Coil Assembly Kit (Includes Item No. 3) Models 175NA, 175LP, 200NA, 200LP	827.23	926.50
I	474058	Tube Sheet Coil Assembly Kit (Includes Item No. 3) Models 175NA, 175LP, 200NA, 200LPI	957.08	1071.93
I	460747	Tube Sheet Coil Assembly Kit (Includes Item No. 3) Models 250NA, 250LP	769.53	861.87
I	474059	Tube Sheet Coil Assembly Kit (Includes Item No. 3) Models 250NA, 250LPI	1114.20	1247.90
I	77707-0233	Tube Sheet Coil Assembly Kit (Includes Item No. 3) Models 300NA, 300LP	1197.31	1340.99
I	474060	Tube Sheet Coil Assembly Kit (Includes Item No. 3) Models 300NA, 300LPI	1271.34	1423.90
I	77707-0234	Tube Sheet Coil Assembly Kit (Includes Item No. 3) Models 400NA, 400LP	1414.97	1584.77
I	474061	Tube Sheet Coil Assembly Kit (Includes Item No. 3) Models 400NA, 400LPI	1428.47	1599.89
I	77707-0244	Tube Sheet Coil Assembly Kit (Includes Item No. 3) Models 400HDNA, 400HD-LP	1658.51	1857.53
I	474065	Tube Sheet Coil Assembly Kit (Includes Item No. 3) Models 400HDNA, 400HD-LPI	2328.41	2607.82
I	473710	Tube Sheet Coil Assembly Kit - HD Series - (Includes Item No. 3) Models 250HDNA, 250HD-LP	1885.12	2111.33
I	474063	Tube Sheet Coil Assembly Kit - HD Series - (Includes Item No. 3) Models 250HDNA, 250HD-LPI	1711.31	1916.67

¹ For Heaters Manufactured after 1/12/09 (New Tub Design).
 Note: Kits include: Clamp, O-Ring, and Silicone Tube.

MasterTemp® Heater

Water System Replacement Parts



Item	Part No.	Description	US List	Can. List
WATER SYSTEM				
2	77707-0014	Manifold Kit (Includes Item Nos. 3–14, 21, and Item Nos. 5–7 in “Electrical System” Models 175NA, 175LP, 200NA, 200LP)		571.56
2	460748	Manifold Kit (Includes Item Nos. 3–14, 21, and Item Nos. 5–7 in “Electrical System” Models 250NA, 250LP)	474.71	531.68
2	77707-0015	Manifold Kit (Includes Item Nos. 3–14, 21, and Item Nos. 5–7 in “Electrical System” Models 300NA, 300LP)	510.32	571.56
2	77707-0016	Manifold Kit (Includes Item Nos. 3–14, 21, and Item Nos. 5–7 in “Electrical System” Models 400NA, 400LP)	510.32	571.56
2	474200	Basic Manifold Kit (Includes Item Nos. 3, 5, 10–14)	167.33	187.41
3	77707-0117	Coil/Tubesheet Sealing O-Ring Kit - Models 175NA, 175LP, 200NA, 200LP (6)	42.86	48.00
3	460749	Coil/Tubesheet Sealing O-Ring Kit - Models 250NA, 250LP (8)	42.86	48.00
3	77707-0118	Coil/Tubesheet Sealing O-Ring Kit - Models 300NA, 300LP (10)	42.86	48.00
3	77707-0119	Coil/Tubesheet Sealing O-Ring Kit - Models 400NA, 400LP (12)	42.86	48.00
8	77707-0001	Manifold Bypass Valve Kit	45.40	50.85
9	42001-0060S	Water Pressure Switch	65.54	73.40
9	473716Z	Water Pressure Switch (ASME)	243.15	272.33
14	77707-0017	Connector Tube Kit (Includes 1 Connector Tube and 1 O-Ring)	43.55	48.78
15	77707-0010	Thermal Regulator Kit (Incl. Item Nos. 16, 17, 18, 19 and Spring Clip)	82.95	92.90
16	38000-0007S	Thermal Regulator (Includes Spring Clip)	57.14	64.00
18	35505-1313	Thermal Regulator Cap O-Ring	4.04	4.52
20	U178-920P	Drain Plug	2.64	2.96
21	U78-60ZPS	Zinc Plug 428-60 PS	5.60	6.27
22	473715Z	Pressure Relief Valve	125.23	140.26
23	PKG 188	2 in. Union Adapter Package (Includes 2)	24.18	27.08
NOT SHOWN				
	77707-0120	O-Ring Kit (Incl. Item Nos. 3, 5)	36.49	40.87
	474201	O-Ring Kit (Incl. Item No. 3)	39.71	44.48
	472648Z	Bypass Access Plug (ASME)	294.28	329.59
	460940	6 Tube Pressure Vessel Kit (ASME) ²	2454.11	2748.60
	474096	6 Tube Pressure Vessel Kit (ASME) ³	2785.52	3119.78
	460941	4 Tube Pressure Vessel Kit (ASME) ²	2199.85	2463.83
	474097	4 Tube Pressure Vessel Kit (ASME) ³	2499.83	2799.81
	460923	Bypass Valve Kit - includes install kit	371.40	415.97
	460924	Thermal Regulator Kit (incl. Spring clip) (ASME)	239.32	268.04

² For ASME Heaters Manufactured prior to 3/24/09 (Old Tub Design).

³ For ASME Heaters Manufactured after 3/24/09 (New Tub Design).

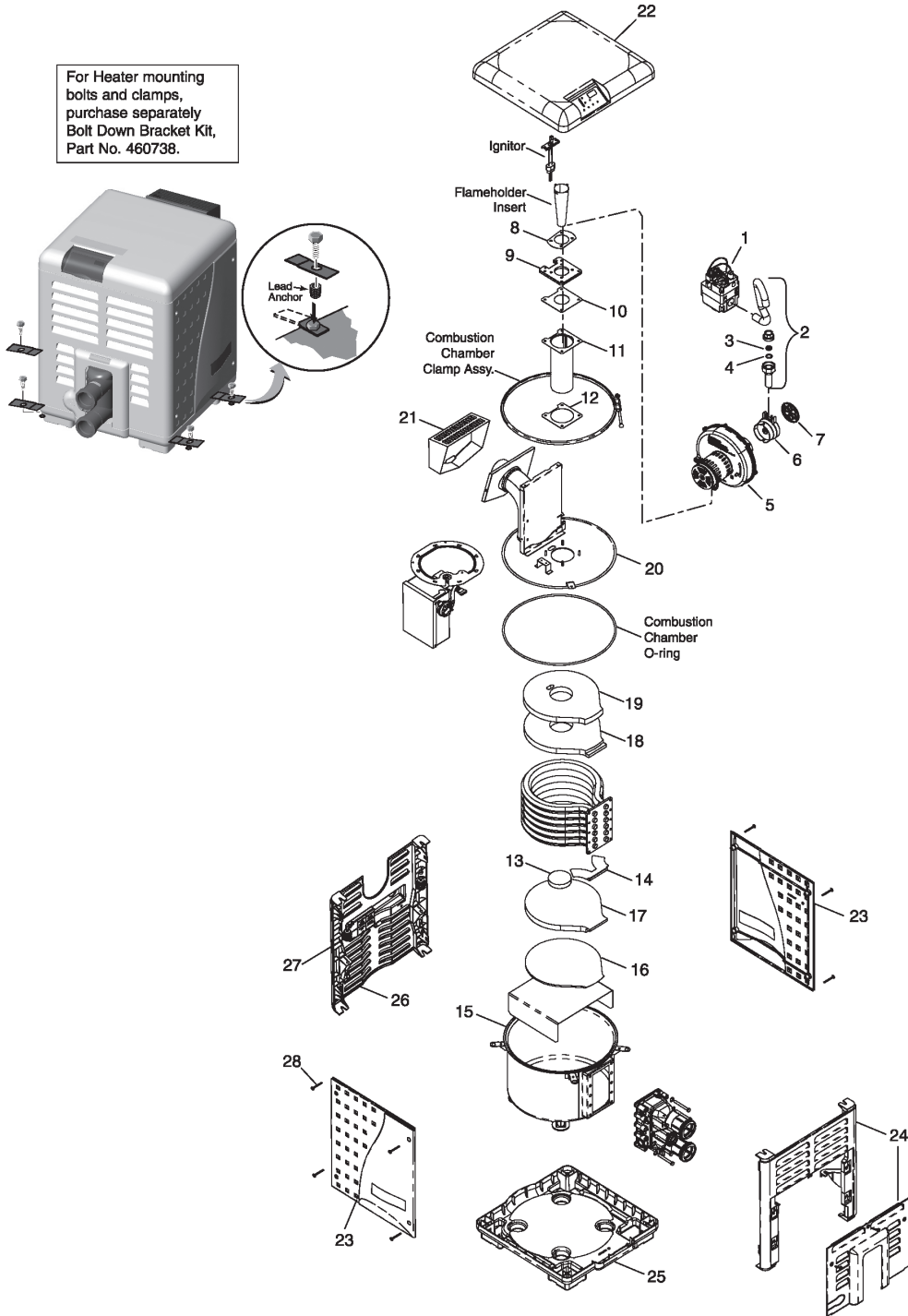
Note: Kits (New Tub Design) include: Clamp, O-Ring, Silicone Tube, and Insulation.

MasterTemp® Heater

Burner System Replacement Parts



For Heater mounting bolts and clamps, purchase separately Bolt Down Bracket Kit, Part No. 460738.



MasterTemp® Heater (Cont'd)

Burner System Replacement Parts

Item	Part No.	Description	Qty.	US List	Can. List
BURNER SYSTEM					
1	42001-0051S	Combination Gas Control Valve Kit	1	348.16	389.94
2	38404-4097S	3/4 in. Union	2	28.57	32.00
5	77707-0251	Air Blower Kit - Natural Gas Units (Models 175NA, 200NA)	1	658.31	737.31
5	460743	Air Blower Kit - Natural Gas Units (Models 250NA)	1	857.08	959.93
5	460757	Air Blower Kit - Natural Gas Units (Models 300NA)	1	612.39	685.88
5	77707-0253	Air Blower Kit - Natural Gas Units (Models 400NA)	1	658.31	737.31
5	77707-0254	Air Blower Kit - Propane Units (Models 175LP, 200LP)	1	658.31	737.31
5	460744	Air Blower Kit - Propane Units (Models 250LP)	1	612.39	685.88
5	460758	Air Blower Kit - Propane Units (Models 300LP)	1	612.39	685.88
5	77707-0256	Air Blower Kit - Propane Units (Models 400LP)	1	658.31	737.31
7	460798	Air Orifice Kit - Model 175 (Includes Item Nos. 6 and 7)		34.28	38.39
7	77707-0111	Air Orifice Kit - Model 200 (Includes Item Nos. 6 and 7)	1	52.42	58.71
7	460745	Air Orifice Kit - Model 250 (Includes Item Nos. 6 and 7)		48.76	54.61
7	460759	Air Orifice Kit - Model 300 (Includes Item Nos. 6 and 7)		48.76	54.61
7	77707-0113	Air Orifice Kit - Model 400 (Includes Item Nos. 6 and 7)		52.42	58.71
15	42001-0200S	One Piece Metal Chamber/Combustion Chamber Assembly		350.84	392.94
15	474095	One Piece Metal Chamber/Combustion Chamber Assembly ²		542.82	607.96
20	42001-0214S	One Piece Metal Elbow/Combustion Chamber Cover Assembly		431.93	483.76
20	474094	One Piece Metal Elbow/Combustion Chamber Cover Assembly ²		614.24	687.95
20	474201	Tub O-Ring Kit ²		39.71	44.48
21	42002-0005S	Metal Vent Cover		104.80	117.38
22	42002-0034Z	Heater Top		279.54	313.08
23	42002-0039Z	Side Panel (Service Panel)		273.42	306.23
24	42002-0033Z	Side Panel (Manifold)		273.40	306.21
25	42002-0031Z	Heater Bottom		128.56	143.99
26	42002-0032Z	Side Panel (Flue Stack)		206.65	231.45
27	42002-0041Z	J Box Cover		14.29	16.00
NOT SHOWN					
	460796	Gas Orifice Kit - NG, Model 175 (Incl. Item Nos. 3 and 4) ¹		54.09	60.58
	77707-0431	Gas Orifice Kit - NG, Model 200 (Incl. Item Nos. 3 and 4) ¹	1	43.59	48.82
	460739	Gas Orifice Kit - NG, Model 250 (Incl. Item Nos. 3 and 4) ¹		40.54	45.40
	460753	Gas Orifice Kit - NG, Model 300 (Incl. Item Nos. 3 and 4) ¹		40.54	45.40
	77707-0411	Gas Orifice Kit - NG, Model 400 (Incl. Item Nos. 3 and 4) ¹		43.59	48.82

Item	Part No.	Description	Qty.	US List	Can. List
	460797	Gas Orifice Kit - Propane, Model 175 (Incl. Item Nos. 3 and 4) ¹		63.35	70.95
	77707-0461	Gas Orifice Kit - Propane, Model 200 (Incl. Item Nos. 3 and 4) ¹	1	43.59	48.82
	460740	Gas Orifice Kit - Propane, Model 250 (Incl. Item Nos. 3 and 4) ¹		40.54	45.40
	460754	Gas Orifice Kit - Propane, Model 300 (Incl. Item Nos. 3 and 4) ¹		40.54	45.40
	77707-0441	Gas Orifice Kit - Propane, Model 400 (Incl. Item Nos. 3 and 4) ¹		43.59	48.82
	460794	NG to Propane Conversion Kit Model 175 (Incl. Item Nos. 3 and 4) ¹		60.28	67.51
	77707-1461	NG to Propane Conversion Kit Model 200 (Incl. Item Nos. 3 and 4) ¹	1	45.07	50.48
	460741	NG to Propane Conversion Kit Model 250 (Incl. Item Nos. 3 and 4) ¹		41.93	46.96
	460755	NG to Propane Conversion Kit Model 300 (Incl. Item Nos. 3 and 4) ¹		41.93	46.96
	77707-1441	NG to Propane Conversion Kit Model 400 (Incl. Item Nos. 3 and 4) ¹		45.07	50.48
	460795	Propane to NG Conversion Kit Model 175 (Incl. Key Nos. 3 and 4) ¹		60.28	67.51
	77707-1431	Propane to NG Conversion Kit Model 200 (Incl. Key Nos. 3 and 4) ¹	1	45.07	50.48
	460742	Propane to NG Conversion Kit Model 250 (Incl. Key Nos. 3 and 4) ¹		41.93	46.96
	460756	Propane to NG Conversion Kit Model 300 (Incl. Key Nos. 3 and 4) ¹		41.93	46.96
	77707-1411	Propane to NG Conversion Kit Model 400 (Incl. Key Nos. 3 and 4) ¹		45.07	50.48
	77707-0011	Blower/Adapter Plate Gasket Kit (Includes Item Nos. 8, 9, 10, 12)	1	51.65	57.85
	77707-0202	Flameholder Kit - Model 175, Model 200 (Includes Item Nos. 10, 11, 12 & 13)	1	122.68	137.40
	460746	Flameholder Kit - Model 250 (Includes Item Nos. 10, 11, 12 & 13 and Flameholder insert)		114.12	127.81
	77707-0203	Flameholder Kit - Model 300 (Includes Item Nos. 10, 11, 12, 13 & Flameholder Insert)		138.02	154.58
	77707-0204	Flameholder Kit - Model 400 (Includes Item Nos. 10, 11, 12, 13 & Flameholder Insert)		161.03	180.35
	77707-0008	Insulation Kit (Includes Item Nos. 13, 14, 16, 17, 18, 19)	1	194.41	217.74
	42001-0074S	Lower Enclosure Insulation		43.91	49.18
	42001-0214S	Metal Vent Cover Assembly		431.93	483.76

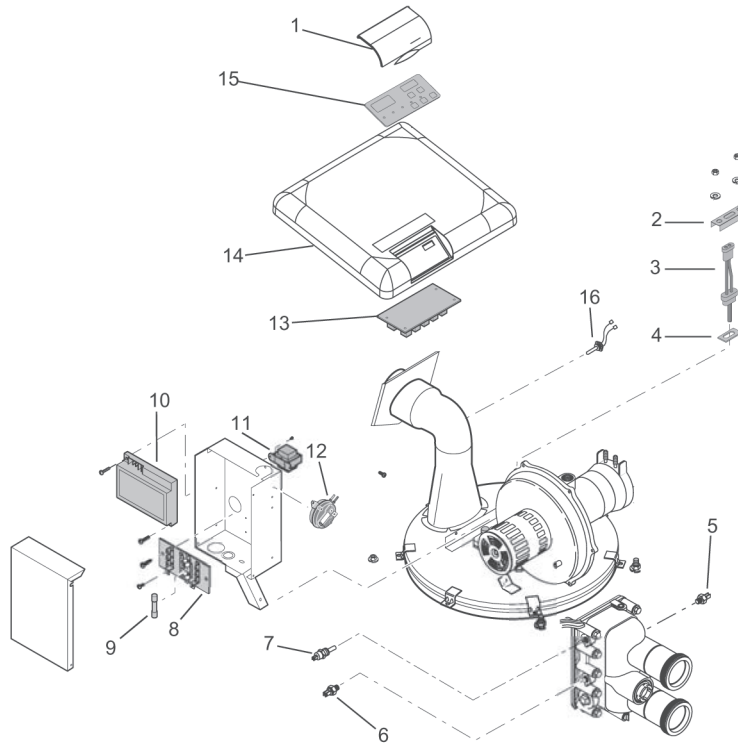
¹ Not included with heater. Order separately.

² For Heaters Manufactured After 1/12/09 (New Tub Design).

Note: Kits include Clamp Assembly, O-Ring, and Silicone Tube.

MasterTemp® Heater

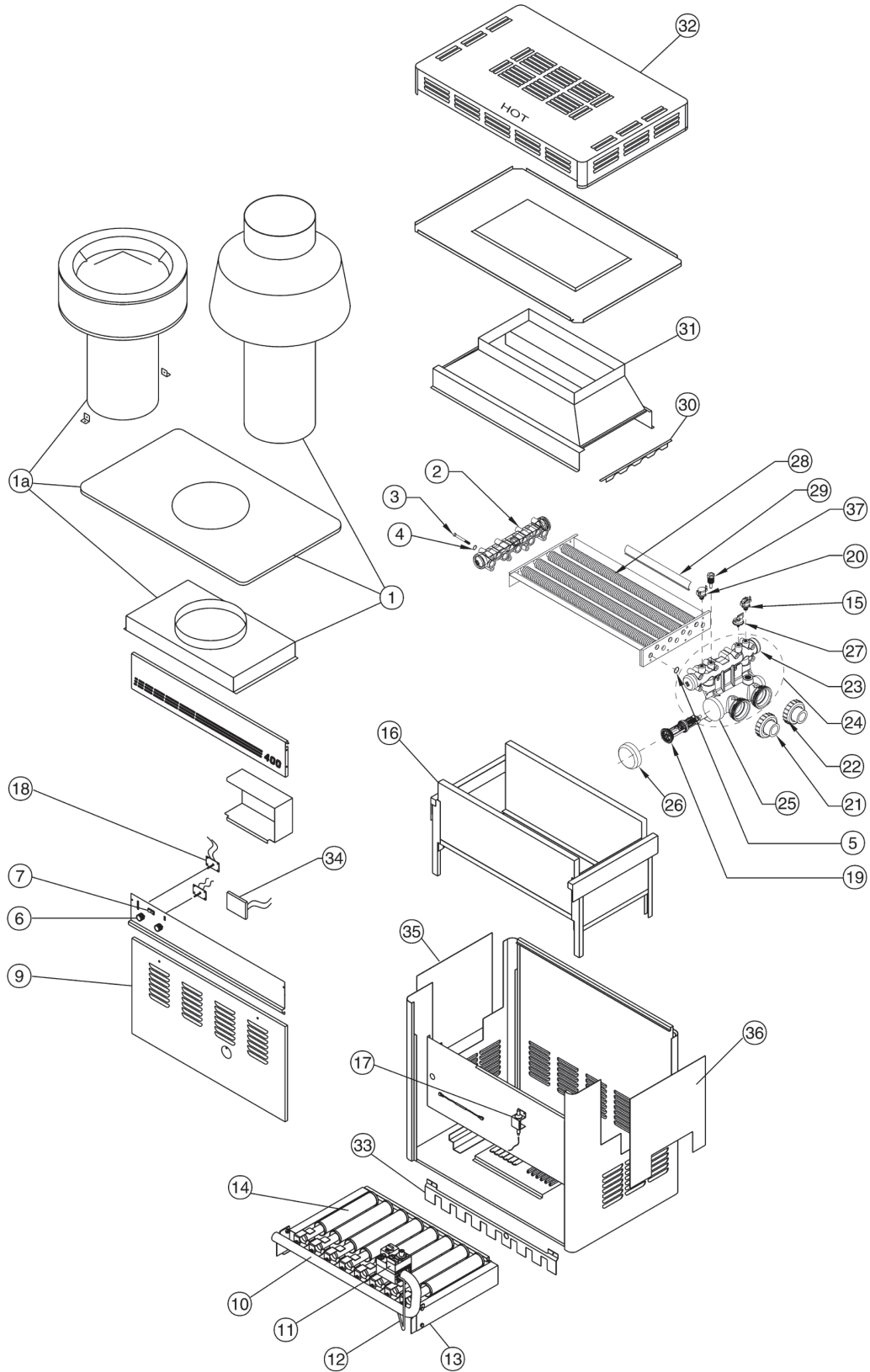
Electrical System Replacement Parts



Item	Part No.	Description	US List	Can. List
ELECTRICAL SYSTEM				
1	42002-0035Z	Heater Display Cover	42.86	48.00
2	42001-0030S	Igniter Bracket	42.86	48.00
3	77707-0054	Igniter/Igniter Gasket Kit, Incl. Item Nos. 3 and 4)	66.41	74.38
4	42001-0066S	Igniter Gasket	42.86	48.00
5	42002-0025S	Automatic Gas Shutoff Switch (AGS)	40.83	45.73
6	42001-0063S	High Limit Switch	49.66	55.62
7	42001-0053S	Thermistor	63.42	71.03
8	42001-0056S	Terminal Board	42.86	48.00
9	32850-0099	Fireman's Switch Fuse (1.25A, 1-1/4 in.)	6.64	7.44
10	42001-0052S	Ignition Control Module	266.25	298.20
11	42001-0107S	Transformer, 115/230V	54.16	60.66
12	42001-0061S	Air Flow Switch	109.80	122.98
13	42002-0007S	Control Board Kit (NA, LP Series)	531.57	595.36
14	42002-0034Z	Heater, Top	279.54	313.08
15	472610Z	Membrane Pad (NA, LP Series)	121.82	136.44
16	42002-0024S	Stack Flue Sensor	95.42	106.87
NOT SHOWN				
	42001-0104S	Heater Wiring Harness - 115/230V	275.74	308.83
	42001-0105S	120/240 Volt Plug Kit	42.86	48.00

MiniMax[®] CH Heater

Replacement Parts



MiniMax® CH Heater (Cont'd)

Replacement Parts



Item	Part No.	Mod.	Description	Qty.	US List	Can. List
VENT KIT ASSEMBLY						
I	460227	150	Indoor	I	258.50	289.52
I	460228	200	Indoor	I	258.50	289.52
I	460230	250	Indoor	I	263.48	295.10
I	460231	300	Indoor	I	285.70	319.98
I	460233	350	Indoor	I	270.94	303.45
I	460234	400	Indoor	I	285.70	319.98
Ia	460237	150	Outdoor	I	256.11	286.84
Ia	460222	200	Outdoor	I	256.11	286.84
Ia	460223	250	Outdoor	I	261.03	292.35
Ia	460224	300	Outdoor	I	285.70	319.98
Ia	460225	350	Outdoor	I	285.70	319.98
Ia	460226	400	Outdoor	I	285.70	319.98
2	471991		Return header assembly ¹	I	64.58	72.33
3	471622		Bolt, heat exchanger ¹	16	1.24	1.39
4	072184		Washer 3/8 in. ID 7/8 in. OD ¹	16	1.24	1.39
5	070951		Tube seal gasket ¹	18	1.24	1.39
6	470184		Thermostat knob ¹	2	10.25	11.48
7	470186		Switch, rocker (single pole and double throw) ¹	I	10.05	11.26
CONTROL PANEL ASSEMBLY, COMPLETE						
9	075468	150	door, millivolt	I	91.98	103.02
9	075604	200	door, millivolt	I	133.32	149.32
9	075488	250	door, millivolt	I	98.40	110.21
9	075605	300	door, millivolt	I	CALL	CALL
9	075606	350	door, millivolt	I	172.23	192.90
9	075490	400	door, millivolt	I	180.09	201.70
10	070256	150	Manifold burner	I	48.83	54.69
10	075525	200	Manifold burner	I	51.96	58.20
10	070257	250	Manifold burner	I	54.82	61.40
10	075526	300	Manifold burner	I	58.30	65.30
10	075527	350	Manifold burner	I	58.50	65.52
10	070258	400	Manifold burner	I	64.79	72.56
11	075457		Gas valve natural, millivolt ¹	I	390.14	436.96
11	075458		Gas valve propane, millivolt ¹	I	384.28	430.39
12	076084		Pilot tube, millivolt ²		71.42	79.99
12	076085		Pilot tube, millivolt ³		57.14	64.00
12	076086		Pilot tube, millivolt ⁴		57.14	64.00
BURNER TRAY ASSEMBLY, COMPLETE						
13	075493	150	natural, millivolt	I	1170.80	1311.30
13	075496	200	natural, millivolt	I	CALL	CALL
13	075494	250	natural, millivolt	I	1424.12	1595.01
13	075497	300	natural, millivolt	I	1506.55	1687.34
13	075498	350	natural, millivolt	I	CALL	CALL

Item	Part No.	Mod.	Description	Qty.	US List	Can. List
13	075495	400	natural, millivolt	I	1847.65	2069.37
13	075502	150	Propane, millivolt	I	1167.99	1308.15
13	075505	200	Propane, millivolt	I	1300.95	1457.06
13	075503	250	Propane, millivolt	I	1423.17	1593.95
13	075506	300	Propane, millivolt	I	1506.55	1687.34
13	075507	350	Propane, millivolt	I	1719.49	1925.83
13	075504	400	Propane, millivolt	I	1849.51	2071.45
14	070230		Burner ^{1,6}		103.69	116.13
14a	470550		Burner with pilot bracket (not shown) ¹	I	103.82	116.28
15	472125		Pressure switch ¹	I	CALL	CALL
COMBUSTION CHAMBER ASSEMBLY, COMPLETE						
16	073858	150	Assembly	I	400.02	448.02
16	075586	200	Assembly	I	428.02	479.38
16	073857	250	Assembly	I	466.58	522.57
16	075587	300	Assembly	I	488.53	547.15
16	075588	350	Assembly	I	477.72	535.05
16	073856	400	Assembly	I	536.74	601.15
17	075459		Presslite igniter assembly ¹	I	16.21	18.16
18	471678		Potentiometer ¹	2	19.47	21.81
19	471750		Flow valve assembly ¹	I	167.31	187.39
20	471587		Hi-limit thermostat 115° ¹	I	39.44	44.17
21	471441		Adaptor, bulkhead, 2 in. ¹	2	14.27	15.98
22	274440		Adaptor, bulkhead ring ¹	2	13.10	14.67
23	471993		Main manifold assembly ¹	I	51.71	57.92
24	471992		Main header assembly ¹	I	386.50	432.88
25	471419		Main manifold bottom ¹	I	55.60	62.27
26	471420		Cap, main manifold bottom ¹	I	10.95	12.26
27	471694		Hi-limit thermostat 150° ¹	I	40.17	44.99
HEAT EXCHANGER						
28	472131	150	Without heads	I	602.40	674.69
28	472169	150	With heads	I	920.94	1031.45
28	472132	200	Without heads	I	748.70	838.54
28	472161	200	Without heads	I	CALL	CALL
28	472167	250	With heads	8	843.52	944.74
28	472133	250	Without heads	I	777.98	871.34
28	472134	300	Without heads	I	860.91	964.22
28	472166	300	With heads		CALL	CALL
28	472135	350	Without heads	I	959.67	1074.83
28	472165	350	With heads		1714.17	1919.87
28	472136	400	Without heads	I	1080.36	1210.00
28	472164	400	With heads		1139.92	1276.71

MiniMax[®] CH Heater (Cont'd)

Replacement Parts



Item	Part No.	Mod.	Description	Qty.	US List	Can. List
29	070277	150	Baffle	1	5.21	5.84
29	075559	200	Baffle	8	4.89	5.48
29	070276	250	Baffle	8	5.21	5.84
29	075560	300	Baffle	8	4.89	5.48
29	070277	350	Baffle	16	5.21	5.84
29	070278	400	Baffle	16	5.58	6.25
30	472329		Baffle hold down, (2 baffles on 400) ¹	1	8.08	9.05
31	073864	150	Flue collector	1	152.59	170.90
31	075622	200	Flue collector	1	170.78	191.27
31	073863	250	Flue collector	1	170.78	191.27
31	075623	300	Flue collector	1	CALL	CALL
31	075624	350	Flue collector	1	162.64	182.16
31	073862	400	Flue collector	1	170.78	191.27
32	470471	150	Outdoor top assembly	1	318.62	356.85
32	470472	200	Outdoor top assembly	1	338.29	378.88
32	470473	250	Outdoor top assembly	1	321.02	359.54
32	470474	300	Outdoor top assembly	1	366.87	410.89
32	470475	350	Outdoor top assembly	1	451.83	506.05
32	470476	400	Outdoor top assembly	1	367.44	411.53

LIGHTBACK SHIELD

33	075783	150	Propane gas units only	1	CALL	CALL
33	075784	200	Propane gas units only	1	CALL	CALL
33	075785	250	Propane gas units only	1	24.68	27.64
33	075786	300	Propane gas units only	1	CALL	CALL
33	075787	350	Propane gas units only	1	27.62	30.93
33	075788	400	Propane gas units only	1	31.29	35.04
34	471677		Electronic thermostat, millivolt models ¹	1	129.31	144.83
35	073789		Panel, return ¹	1	24.06	26.95
36	472127		Panel, in/out ¹	1	102.19	114.45
37	472101		Thermistor, probe, complete millivolt models ¹	1	33.89	37.96

NOT SHOWN

070715			Plastic mounting bracket ¹		1.24	1.39
471277			Clips for wire harness ¹		4.89	5.48
075511			Wire kit, millivolt ¹		28.83	32.29
071703			Screw, 8 x 1/4 in. HH ¹		CALL	CALL
071698			Screw, 8 x 1/2 in. HH ¹		1.24	1.39
071716			Screw, 6 x 1/4 in. ¹		1.24	1.39
071659			Screw, 10-32 x 1/4 in. ¹		CALL	CALL
075692			Screw, 10-32 x 3/16 in. ¹		CALL	CALL

070551			Bushing 1/2 in. ¹		CALL	CALL
470414			Therm knob stopper ¹	2	6.70	7.50
073725			Bolt, 5/16 in.-18 x 3/4 in. ¹	2	1.24	1.39
See pg. 401			Orifice main burner, natural ^{1,5}		CALL	CALL
See pg. 401			Orifice main burner, propane ^{1,5}		CALL	CALL
471292			Pilot, natural, millivolt ¹	1	52.84	59.18
471291			Pilot, propane, millivolt ¹	1	52.84	59.18
071515			Pilot, generator ¹	1	85.58	95.85
075173			Thermal cutoff, fusible link ¹	1	18.35	20.55
470178			Power element, flow-valve ¹	1	48.03	53.79
471293			Pilot rainshield ¹	1	23.19	25.97
471328			Pilot electrode (only) ¹	1	75.29	84.32
074540			"L" brackets ¹	3	4.55	5.10
471271			Bracket adapter Q379 pilot MV ¹		15.75	17.64
072253			Jumper ¹		4.89	5.48
471612			Door latch ¹	1	8.80	9.86
075461			Electrode Assembly		57.14	64.00

¹ Part No. used in Model Nos., 150, 200, 250, 300, 350, 400.

² Part No. used in Model Nos., 150, 200.

³ Part No. used in Model Nos., 250, 300.

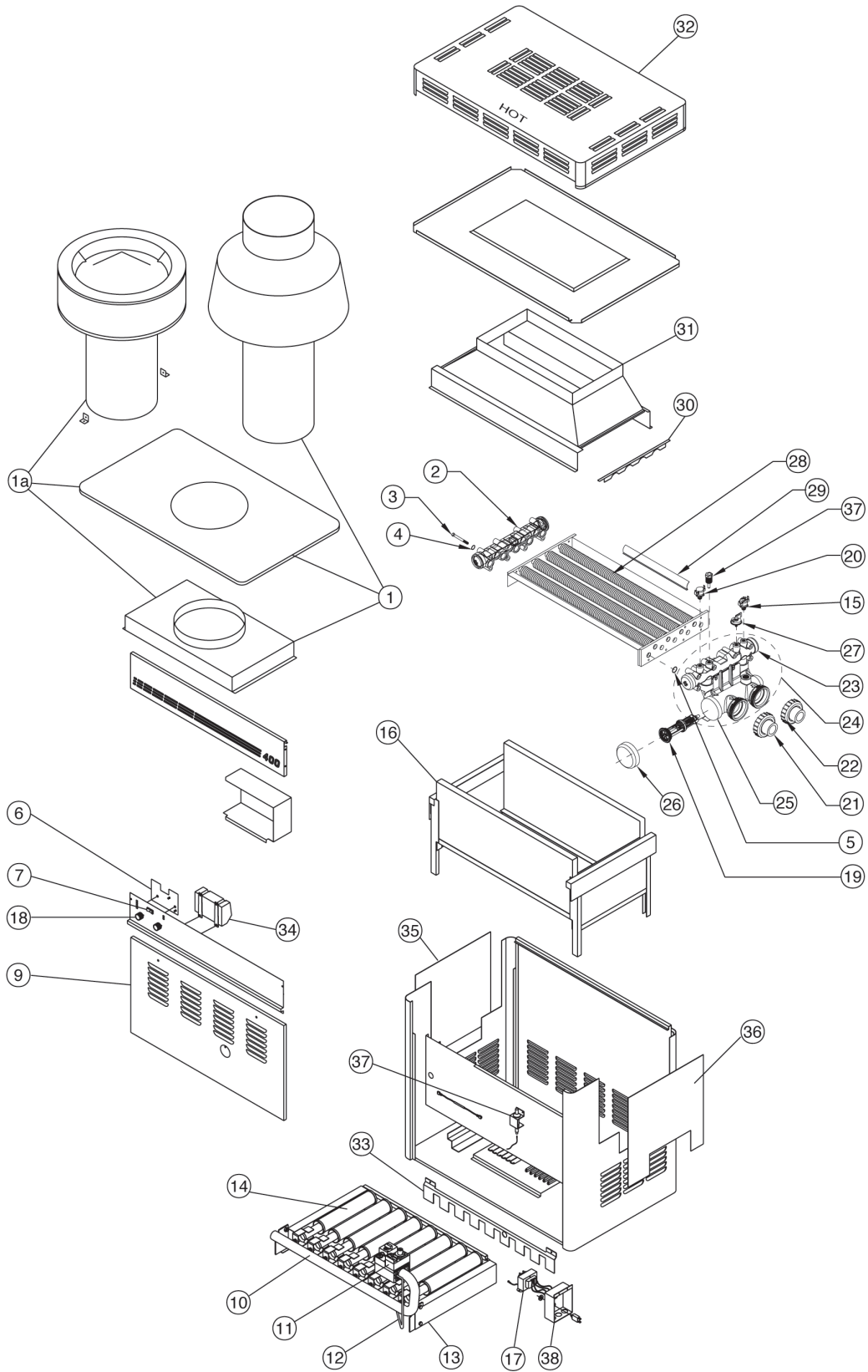
⁴ Part No. used in Model Nos., 350, 400.

⁵ Qty. = Model N or P 150 (3 ea.), 200 (4 ea.), 250 (5 ea.), 300 (6 ea.), 350 (7 ea.), 400 (8 ea.). For complete orifice requirements, see pages 350 and 351.

⁶ Qty. = Model 150 (2 ea.), 200 (3 ea.), 250 (4 ea.), 300 (5 ea.), 350 (6 ea.), 400 (7 ea.).

MiniMax[®] CH Heater, 150 IID Model

Replacement Parts



MiniMax[®] CH Heater, I50 IID Model (Cont'd)

Replacement Parts



Item	Part No.	Description	Qty.	US List	Can. List
MINIMAX[®] CH, I50 IID					
1	460227	Vent kit assembly, indoor	1	258.50	289.52
1a	460237	Vent kit assembly, outdoor	1	256.11	286.84
2	471991	Return header assembly	1	64.58	72.33
3	471622	Bolt, heat exchanger	16	1.24	1.39
4	072184	Washer 3/8 in. ID 7/8 in. OD	16	1.24	1.39
5	070951	Tube seal gasket	18	1.24	1.39
6	470179	Electronic thermostat circuit board, IID Model	1	194.89	218.28
7	470186	Switch rocker, single pole & double throw	1	10.05	11.26
9	075468	Door, millivolt or IID	1	91.98	103.02
10	070256	Manifold burner	1	48.83	54.69
11	073998	Gas valve natural, IID	1	299.14	335.04
11	073999	Gas valve propane, IID	1	299.14	335.04
12	075191	Pilot tube, IID		57.14	64.00
13	073752	Burner tray assembly, natural, complete, IID	1	883.15	989.13
13	073906	Burner tray assembly, propane, complete, IID	1	909.74	1018.91
14	070230	Burner	2	103.69	116.13
14a	470550	Burner with pilot bracket, not shown	1	103.82	116.28
15	472125	Pressure switch	1	CALL	CALL
16	073858	Combustion chamber assembly, complete	1	400.02	448.02
17	471360	Transformer, w/circuit breaker, dual voltage	1	59.16	66.26
18	470184	Thermostat knob	2	10.25	11.48
19	471750	Flow valve assembly	1	167.31	187.39
20	471587	Hi-limit thermostat 115°	1	39.44	44.17
21	471441	Adaptor, bulkhead, 2 in.	2	14.27	15.98
22	274440	Adaptor, bulkhead ring	2	13.10	14.67
23	471993	Main manifold assembly	1	51.71	57.92
24	471992	Main header assembly	1	386.50	432.88
25	471419	Main manifold bottom	1	55.60	62.27
26	471420	Cap, main manifold bottom	1	10.95	12.26
27	471694	Hi-limit thermostat 150°	1	40.17	44.99
28	472131	Heat exchanger, without heads	1	602.40	674.69
28	472169	Heat exchanger, with heads	1	920.94	1031.45

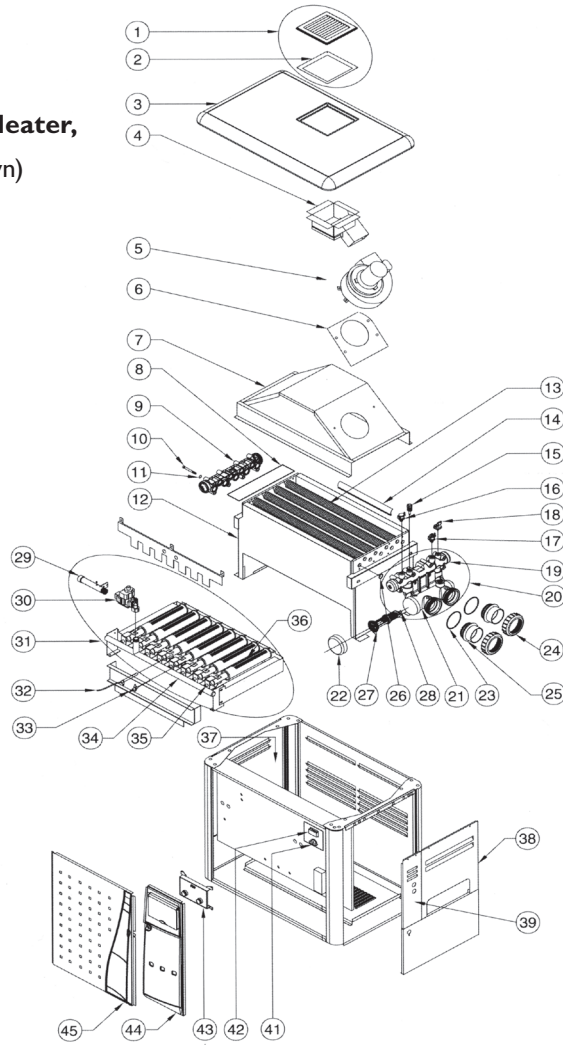
Item	Part No.	Description	Qty.	US List	Can. List
29	070277	Baffle	8	5.21	5.84
30	472329	Baffle hold down, (2 baffles on 400)	1	8.08	9.05
31	073864	Flue collector	1	152.59	170.90
32	470471	Outdoor top assembly	1	318.62	356.85
33	075783	Lightback shield (propane gas units only)	1	CALL	CALL
34	073584	Module natural gas	1	264.55	296.30
	073585	Module propane gas	1	273.23	306.02
35	073789	Panel, return	1	24.06	26.95
36	472127	Panel, in/out	1	102.19	114.45
37	075459	Thermistor, probe, complete, IID	1	16.21	18.16
38	470122	Junction box	1	30.23	33.86
NOT SHOWN					
	070715	Plastic mounting bracket		1.24	1.39
	471277	Clips for wire harness		4.89	5.48
	075511	Wire kit, millivolt		28.83	32.29
	071703	Screw, 8 x 1/4 in. HH		CALL	CALL
	071698	Screw 8 x 1/2 in. HH		1.24	1.39
	071716	Screw, 6 x 1/4 in.		1.24	1.39
	071659	Screw, 10-32 x 1/4 in.		CALL	CALL
	075692	Screw, 10-32 x 3/16 in.		CALL	CALL
	070551	Bushing, 1/2 in.		CALL	CALL
	470414	Therm knob stopper	2	6.70	7.50
	073725	Bolt 5/16 in., 18 x 3/4 in.	2	1.24	1.39
	See pg. 401	Orifice main burner, natural	3	CALL	CALL
	See pg. 401	Orifice main burner, propane	3	CALL	CALL
	471292	Pilot, natural, millivolt	1	52.84	59.18
	471291	Pilot, propane, millivolt	1	52.84	59.18
	071515	Pilot, generator	1	85.58	95.85
	075173	Thermal cutoff, fusible link	1	18.35	20.55
	470178	Power element, flow-valve	1	48.03	53.79
	471293	Pilot rainshield	1	23.19	25.97
	471328	Pilot electrode, only	1	75.29	84.32
	074540	"L" brackets	3	4.55	5.10
	471271	Bracket adapter Q379 pilot, MV		15.75	17.64
	072253	Jumper		4.89	5.48
	471612	Door latch	1	8.80	9.86

MiniMax[®] NT STD Heater w/ 6800 Controller

Replacement Parts



**MiniMax NT STD Heater,
(Non-ASME Shown)**



(Note: Pictorial is shown with 6800 Controller)

Item	Part No.	Mod.	Description	Qty.	US List	Can. List
MINIMAX[®] NT STD w/ 6800						
1	472352		Exhaust grill w/ gasket ¹	1	68.55	76.78
2	471701		Gasket, exhaust grill ¹	1	15.42	17.27
3	472353	200	Top cover w/posts	1	302.41	338.70
3	472354	250	Top cover w/posts	1	294.97	330.37
3	472355	300	Top cover w/posts	1	301.91	338.14
3	472356	400	Top cover w/posts	1	315.85	353.75
4	472373		Exhaust assembly ³	1	192.77	215.90
4	472376	250	Exhaust assembly	1	192.77	215.90
5	472361	200	Blower w/gasket	1	602.72	675.05
5	472362		Blower w/gasket ²	1	602.72	675.05
5	472374	400	Blower w/gasket	1	602.72	675.05
6	471610		Gasket, blower	1	16.70	18.70
7	472007	250	Flue collector	1	97.57	109.28
7	472006	300	Flue collector	1	108.02	120.98
7	472005	400	Flue collector	1	114.98	128.78

8	472270		Insulation, header/ Hi-limit ¹	1	7.31	8.19
9	471991		Return header assembly ¹	1	64.58	72.33
10	471622		Bolt, heat exchanger ¹	16	1.24	1.39
11	072184		Washer, heat exchanger ¹	16	1.24	1.39
12	471904	200	Fire box assembly	1	341.44	382.41
12	471835	250	Fire box assembly	1	444.81	498.19
12	471922	300	Fire box assembly	1	529.55	593.10
12	472332	400	Fire box assembly	1	591.40	662.37
13	471910	200	Heat exchanger w/headers	1	1441.30	1614.26
13	471785	250	Heat exchanger w/headers	1	1512.00	1693.44
13	471928	300	Heat exchanger w/headers	1	1604.20	1796.70
13	471838	400	Heat exchanger w/headers	1	1792.47	2007.57

MiniMax[®] NT STD Heater, w/ 6800 Controller (Cont'd)

Replacement Parts

Item	Part No.	Mod.	Description	Qty.	US List	Can. List
MINIMAX[®] NT STD w/ 6800						
13	471933	200	Heat exchanger w/o headers	1	748.70	838.54
13	471934	250	Heat exchanger w/o headers	1	777.98	871.34
13	471935	300	Heat exchanger w/o headers	1	859.62	962.77
13	471936	400	Heat exchanger w/o headers	1	1080.36	1210.00
13	470371	200	Heat exchanger w/headers, ASME	1	2033.04	2277.00
13	470372	250	Heat exchanger w/headers, ASME	1	2124.07	2378.96
13	470373	300	Heat exchanger w/headers, ASME	1	2177.85	2439.19
13	470375	400	Heat exchanger w/headers, ASME	1	2543.45	2848.66
14	471642	200	Baffle, heat exchanger	8	4.13	4.63
14	471641	250	Baffle, heat exchanger	8	4.63	5.19
14	471896	300	Baffle, heat exchanger	8	6.98	7.82
14	471640	400	Baffle, heat exchanger	16	4.89	5.48
15	471566		Thermistor probe ¹	1	41.76	46.77
16	471587		Hi-limit thermostat, 115°F. ¹	1	39.44	44.17
17	471694		Hi-limit thermostat, 150°F. ¹	1	40.17	44.99
18	470190		Water pressure switch, ASME ¹	1	97.57	109.28
18	473605		Water pressure switch, NON-ASME ¹	1	61.45	68.82
19	472363		In/out top sub-header assembly ¹	1	126.59	141.78
20	471992		In/out main header assembly ¹	1	386.50	432.88
21	472364		In/out bottom sub-header ¹	1	134.69	150.85
22	471420		Cap, in/out bottom sub-header ¹	1	10.95	12.26
23	274494		O-ring, adapter ¹	2	3.85	4.31
24	274440		Adapter, bulkhead ring ¹	2	13.10	14.67
25	471441		Adapter, bulkhead, 2 in. ¹	2	14.27	15.98
26	070951		Gasket, fin tube, seal ¹	18	1.24	1.39
27	471750		Flow valve assembly ¹	1	167.31	187.39
28	472330		Power element, flow valve ¹	1	45.31	50.75
29	472365		Sub-gas manifold w/ plug ¹	1	77.15	86.41
30	460760		Gas valve, natural gas ¹	1	282.26	316.13
30	460761		Gas valve, propane	1	282.26	316.13
31	460784	200	Kit, burner NT STD 200 NA/LP	1	363.70	407.34
31	460785	250	Kit, burner NT STD 250 NA/LP	1	404.58	453.13
31	460786	300	Kit, burner NT STD 300 NA/LP	1	442.04	495.08
31	460787	400	Kit, burner NT STD 400 NA/LP	1	520.70	583.18
32	460799Z		Igniter ¹	1	118.87	133.13
33	472370		Window Glass	1	55.72	62.41
34	471603		Electrode flame sensor ¹	1	24.11	27.00
35	471892	200	Gas manifold w/out orifices, natural or propane	1	CALL	CALL

¹ Part No. used in Model Nos., 200, 250, 300, 400.

² Part No. used in Model Nos., 250, 300.

³ Part No. used in Model Nos., 200, 300, 400.

Item	Part No.	Mod.	Description	Qty.	US List	Can. List
35	471661	250	Gas manifold w/out orifices, natural or propane	1	CALL	CALL
35	471889	300	Gas manifold w/out orifices, natural or propane	1	CALL	CALL
35	471708	400	Gas manifold w/out orifices, natural or propane	1	CALL	CALL
36	See pg. 401		Orifices, natural ^{1,4}		CALL	CALL
36	See pg. 401		Orifices, LP ^{1,4}		CALL	CALL
37	070230		Burner ^{1,5}		103.69	116.13
37	471970		Burner w/bracket ¹	2	51.22	57.37
38	471575		Jacket, upper panel, left ¹	1	86.36	96.72
39	471576		Jacket, upper panel, right ¹	1	86.36	96.72
40	471767		Jacket, upper sub-plate ¹	2	40.68	45.56
42	See air switch table pg. 400		Air pressure switch	1	CALL	CALL
42	460783		Module, ignition control ¹	1	436.69	489.09
43	472086		Temperature controller assembly ¹	1	417.07	467.12
44	471727		Right door assembly with controller ¹	1	942.73	1055.86
44	472372		Right door assembly w/o controller ¹	1	303.12	339.49
45	471900	200	Left door assembly	1	217.42	243.51
45	472318	250	Left door assembly	1	229.94	257.53
45	471918	300	Left door assembly	1	252.01	282.25
45	471726	400	Left door assembly	1	213.50	239.12
42	460783		Module, ignition control ¹	1	436.69	489.09
43	472086		Temperature controller assembly ¹	1	417.07	467.12
44	471727		Right door assembly with controller ¹	1	942.73	1055.86
44	472372		Right door assembly w/o controller ¹	1	303.12	339.49
45	471900	200	Left door assembly	1	217.42	243.51
45	472318	250	Left door assembly	1	229.94	257.53
45	471918	300	Left door assembly	1	252.01	282.25
45	471726	400	Left door assembly	1	213.50	239.12
NOT SHOWN						
	075173		Thermal cut-off ¹	1	18.35	20.55
	472508		Transformer, 40 VA ¹	1	42.24	47.31
	472375		Wire harness assembly ¹	1	202.08	226.33
	460506		Indoor vent adaptor, 4 in. ¹	1	119.49	133.83
	460507		Indoor vent adaptor, 5 in. ¹	1	119.85	134.23
	470184		Knob, T-Stat board	1	10.25	11.48
	470181		T-Stat board knob stem	1	4.89	5.48
	470328		Fan Tubing		13.28	14.87
	471548		Control Panel Cover		10.95	12.26
	471773		Power Switch		12.87	14.41
	471715		Top Panel Clips		4.42	4.95
	471549		Control Cover Hinge		1.24	1.39
	070715		Clips to hold Thermal Fuse		1.24	1.39

⁴ Qty. = Model 200 (4 ea.), 250 (5 ea.), 300 (6 ea.), 400 (8 ea.).

⁵ Qty. = Model 200 (2 ea.), 250 (3 ea.), 300 (4 ea.), 400 (6 ea.).

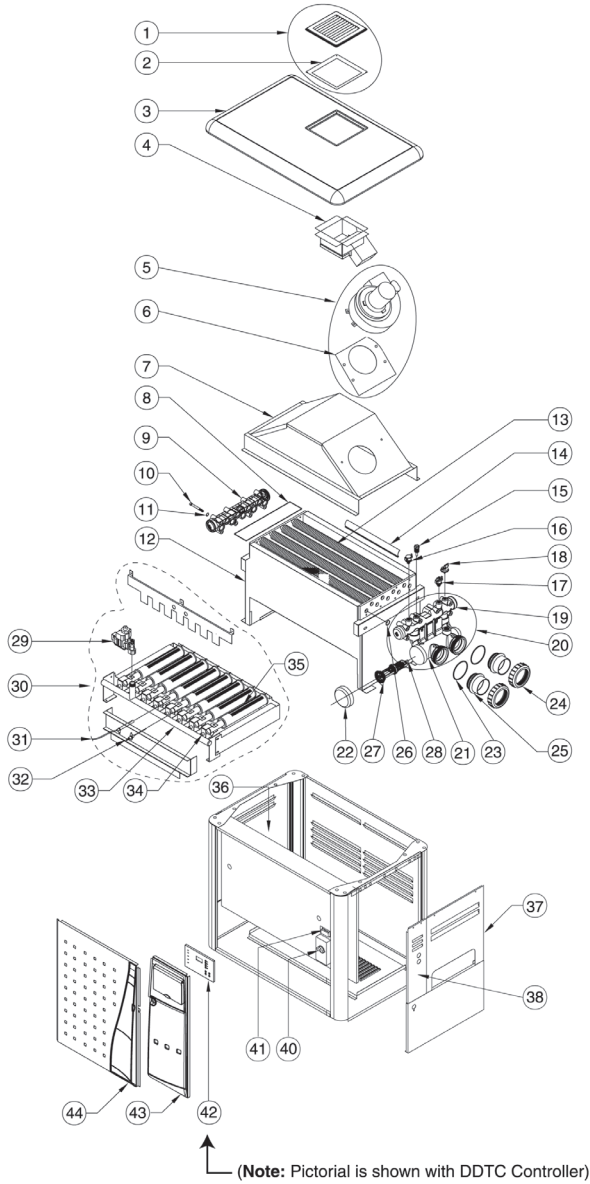
⁶ Kit includes gas valve, elbow, mounting bracket, and side panel.

MiniMax[®] NT STD Heater, w/DDTC Controller

Replacement Parts



MiniMax NT STD/DDTC Heater — (Non-ASME Shown)



Item	Part No.	Mod.	Description	Qty.	US List	Can. List
MINIMAX[®] NT STD w/DDTC						
1	472352		Exhaust grill w/gasket ¹	1	68.55	76.78
2	471701		Gasket, exhaust grill ¹	1	15.42	17.27
3	472353	200	Top cover w/posts	1	302.41	338.70
3	472354	250	Top cover w/posts	1	294.97	330.37
3	472355	300	Top cover w/posts	1	301.91	338.14
3	472356	400	Top cover w/posts	1	315.85	353.75
4	472373		Exhaust assembly ²	1	192.77	215.90
4	472376	250	Exhaust assembly	1	192.77	215.90
5	472361	200	Blower w/gasket	1	602.72	675.05
5	472362		Blower w/gasket ³	1	602.72	675.05
5	472374	400	Blower w/gasket	1	602.72	675.05
6	471610		Gasket, blower ¹	1	16.70	18.70
7	472007	250	Flue collector	1	97.57	109.28
7	472006	300	Flue collector	1	108.02	120.98
7	472005	400	Flue collector	1	114.98	128.78
8	472270		Insulation, header/Hi-limit ¹	1	7.31	8.19
9	471991		Return header assembly ¹	1	64.58	72.33
10	471622		Bolt, heat exchanger ¹	16	1.24	1.39
11	072184		Washer, heat exchanger ¹	16	1.24	1.39
12	471904	200	Fire box assembly	1	341.44	382.41
12	471835	250	Fire box assembly	1	444.81	498.19
12	471922	300	Fire box assembly	1	529.55	593.10
12	472332	400	Fire box assembly	1	591.40	662.37
13	471910	200	Heat exchanger w/headers	1	1441.30	1614.26
13	471785	250	Heat exchanger w/headers	1	1512.00	1693.44
13	471928	300	Heat exchanger w/headers	1	1604.20	1796.70
13	471838	400	Heat exchanger w/headers	1	1792.47	2007.57
13	471933	200	Heat exchanger w/o headers	1	748.70	838.54
13	471934	250	Heat exchanger w/o headers	1	777.98	871.34
13	471935	300	Heat exchanger w/o headers	1	859.62	962.77
13	471936	400	Heat exchanger w/o headers	1	1080.36	1210.00
14	471642	200	Baffle, heat exchanger	8	4.13	4.63
14	471641	250	Baffle, heat exchanger	8	4.63	5.19
14	471896	300	Baffle, heat exchanger	8	6.98	7.82
14	471640	400	Baffle, heat exchanger	16	4.89	5.48
15	471566		Thermistor probe	1	41.76	46.77
16	471587		Hi-limit thermostat, 115°F ¹	1	39.44	44.17
17	471694		Hi-limit thermostat, 150°F ¹	1	40.17	44.99
18	472125		Water pressure switch ¹	1	CALL	CALL
19	472363		In/out top sub-header assembly ¹	1	126.59	141.78
20	471992		In/out main header assembly ¹	1	386.50	432.88
21	472364		In/out bottom sub-header ¹	1	134.69	150.85
22	471420		Cap, in/out bottom sub-header ¹	1	10.95	12.26

MiniMax® NT STD Heater w/DDTC Controller (Cont'd)

Replacement Parts



Item	Part No.	Mod.	Description	Qty.	US List	Can. List
MINIMAX® NT STD w/DDTC						
23	274494		O-ring, adapter ¹	2	3.85	4.31
24	274440		Adapter, bulkhead ring ¹	2	13.10	14.67
25	471441		Adapter, bulkhead, 2 in. ¹	2	14.27	15.98
26	070951		Gasket, fin tube, seal ¹	18	1.24	1.39
27	471750		Flow valve assembly ¹	1	167.31	187.39
28	472330		Power element, flow valve ¹	1	45.31	50.75
29	460760		Gas valve, natural gas ¹	1	282.26	316.13
29	460761		Gas valve, propane ¹	1	282.26	316.13
30	460784	200	Kit, burner NT STD 200 NA/LP	1	363.70	407.34
30	460785	250	Kit, burner NT STD 250 NA/LP	1	404.58	453.13
30	460786	300	Kit, burner NT STD 300 NA/LP	1	442.04	495.08
30	460787	400	Kit, burner NT STD 400 NA/LP	1	520.70	583.18
30	470784	200	Burner tray assembly, propane	1	CALL	CALL
31	472604		Igniter ¹	1	75.02	84.02
32	471603		Flame sensor ¹	1	24.11	27.00
33	471892	200	Gas manifold w/out orifices, natural or propane	1	CALL	CALL
33	471661	250	Gas manifold w/out orifices, natural or propane	1	CALL	CALL
33	471889	300	Gas manifold w/out orifices, natural or propane	1	CALL	CALL
33	471708	400	Gas manifold w/out orifices, natural or propane	1	CALL	CALL
34	See pg. 401		Orifices, natural ^{1,4}		CALL	CALL
34	See pg. 401		Orifices, propane ^{1,4}		CALL	CALL
35	070230		Burner ^{1,5}		103.69	116.13
35	471970		Burner w/bracket ¹	2	51.22	57.37
36	471575		Jacket, upper panel, left ¹	1	86.36	96.72
37	471576		Jacket, upper panel, right ¹	1	86.36	96.72
38	471767		Jacket, upper sub-plate ¹	2	40.68	45.56
40	See air switch table pg. 400		Air pressure switch	1	CALL	CALL
41	472447		Module, ignition control ¹	1	200.14	224.16

Item	Part No.	Mod.	Description	Qty.	US List	Can. List
42	472100		DDTC board ¹	1	501.77	561.98
43	471727		Right door assembly with controller ¹	1	942.73	1055.86
43	472372		Right door assembly w/o controller ¹	1	303.12	339.49
44	471900	200	Left door assembly	1	217.42	243.51
44	472318	250	Left door assembly	1	229.94	257.53
44	471918	300	Left door assembly	1	252.01	282.25
44	471726	400	Left door assembly	1	213.50	239.12
NOT SHOWN						
	075173		Thermal cut-off ¹	1	18.35	20.55
	472508		Transformer, 40 VA ¹	1	42.24	47.31
	460506		Indoor vent adaptor, 4 in. ¹	1	119.49	133.83
	460507		Indoor vent adaptor, 5 in. ¹	1	119.85	134.23
	470328		Fan Tubing		13.28	14.87
	471548		Control Panel Cover		10.95	12.26
	471773		Power Switch		12.87	14.41
	471715		Top Panel Clips		4.42	4.95
	471549		Control Cover Hinge		1.24	1.39
	070715		Clips to hold Thermal Fuse		1.24	1.39
	472255		Face Plate		4.61	5.16

¹ Part No. used in Model Nos., 200, 250, 300, 400.

² Part No. used in Model Nos., 200, 300, 400.

³ Part No. used in Model Nos., 250, 300.

⁴ Qty. = Model 200 (4 ea.), 250 (5 ea.), 300 (6 ea.), 400 (8 ea.).

⁵ Qty. = Model 200 (2 ea.), 250 (3 ea.), 300 (4 ea.), 400 (6 ea.).

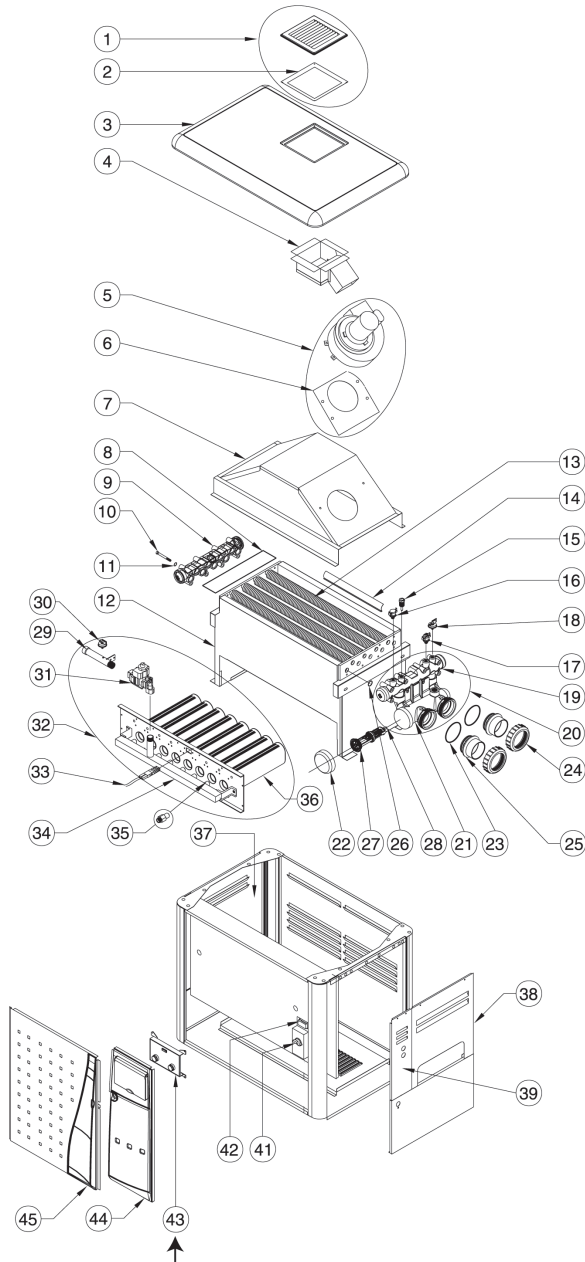
⁶ Kit includes gas valve, elbow, mounting bracket, and side panel.

MiniMax[®] NT LN Heater, w/ 6800 Controller

Replacement Parts



MiniMax NT LN Heater — (Non-ASME Shown)



Item	Part No.	Mod.	Description	Qty.	US List	Can. List
MINIMAX[®] NT LN , w/ 6800						
1	472352		Exhaust grill w/gasket ¹	1	68.55	76.78
2	471701		Gasket, exhaust grill ¹	1	15.42	17.27
3	472353	200	Top cover w/posts	1	302.41	338.70
3	472354	250	Top cover w/posts	1	294.97	330.37
3	472355	300	Top cover w/posts	1	301.91	338.14
3	472356	400	Top cover w/posts	1	315.85	353.75
4	472357	200	Exhaust assembly	1	192.77	215.90
4	472359	250	Exhaust assembly	1	CALL	CALL
4	472357	300	Exhaust assembly	1	192.77	215.90
4	472358	400	Exhaust assembly	1	192.77	215.90
5	472361	200	Blower w/gasket	1	602.72	675.05
5	472362		Blower w/gasket ²	1	602.72	675.05
6	471610		Gasket, blower ¹	1	16.70	18.70
7	472007	250	Flue collector	1	97.57	109.28
7	472006	300	Flue collector	1	108.02	120.98
7	472005	400	Flue collector	1	114.98	128.78
8	472270		Insulation, header/Hi-limit ¹	1	7.31	8.19
9	471991		Return header assembly ¹	1	64.58	72.33
10	471622		Bolt, heat exchanger ¹	16	1.24	1.39
11	072184		Washer, heat exchanger ¹	16	1.24	1.39
12	471904	200	Fire box assembly	1	341.44	382.41
12	471835	250	Fire box assembly	1	444.81	498.19
12	471922	300	Fire box assembly	1	529.55	593.10
12	472332	400	Fire box assembly	1	591.40	662.37
13	471910	200	Heat exchanger w/headers	1	1441.30	1614.26
13	471785	250	Heat exchanger w/headers	1	1512.00	1693.44
13	471928	300	Heat exchanger w/headers	1	1604.20	1796.70
13	471838	400	Heat exchanger w/headers	1	1792.47	2007.57
13	471933	200	Heat exchanger w/o headers	1	748.70	838.54
13	471934	250	Heat exchanger w/o headers	1	777.98	871.34
13	471935	300	Heat exchanger w/o headers	1	859.62	962.77
13	471936	400	Heat exchanger w/o headers	1	1080.36	1210.00
14	471642	200	Baffle, heat exchanger	8	4.13	4.63
14	471641	250	Baffle, heat exchanger	8	4.63	5.19
14	471896	300	Baffle, heat exchanger	8	6.98	7.82
14	471640	400	Baffle, heat exchanger	16	4.89	5.48
15	471566		Thermistor probe ¹	1	41.76	46.77
16	471587		Hi-limit thermostat, 115°F ¹	1	39.44	44.17
17	471694		Hi-limit thermostat, 150°F ¹	1	40.17	44.99
18	472125		Water pressure switch ¹	1	CALL	CALL
19	472363		In/out top sub-header assembly ¹	1	126.59	141.78

MiniMax® NT LN Heater, w/ 6800 Controller (Cont'd)

Replacement Parts



Item	Part No.	Mod.	Description	Qty.	US List	Can. List
MINIMAX® NT LN , w/ 6800						
20	471992		In/out main header assembly ¹	1	386.50	432.88
21	472364		In/out bottom sub-header ¹	1	134.69	150.85
22	471420		Cap, in/out bottom sub-header ¹	1	10.95	12.26
23	274494		O-ring, adapter ¹	2	3.85	4.31
24	274440		Adapter, bulkhead ring ¹	2	13.10	14.67
25	471441		Adapter, bulkhead, 2 in. ¹	2	14.27	15.98
26	070951		Gasket, fin tube, seal ¹	18	1.24	1.39
27	471750		Flow valve assembly ¹	1	167.31	187.39
28	472330		Power element, flow valve ¹	1	45.31	50.75
29	471597		Sub-gas manifold ¹	1	36.38	40.75
30	472083		Gas pressure switch with wire harness ¹	1	85.38	95.63
31	460760		Gas valve, natural gas ¹	1	282.26	316.13
32	472016	250	Burner tray assembly	1	1060.86	1188.16
32	471923	300	Burner tray assembly	1	1371.53	1536.11
32	471981	400	Burner tray assembly	1	2026.08	2269.21
33	471696		Igniter and bracket ¹	1	95.93	107.44
34	471872	200	Gas manifold w/o orifice	1	CALL	CALL
34	471700	250	Gas manifold w/o orifice	1	CALL	CALL
34	471956	300	Gas manifold w/o orifice	1	CALL	CALL
34	471699	400	Gas manifold w/o orifice	1	CALL	CALL
35	See pg. 401		Gas orifices, natural ^{1,3}		CALL	CALL
36	471668		Burner ^{1,3}		64.37	72.09
37	471575		Jacket, upper panel, left	1	86.36	96.72
38	471576		Jacket, upper panel, right ¹	1	86.36	96.72
39	471767		Jacket, upper sub-plate ¹	2	40.68	45.56

Item	Part No.	Mod.	Description	Qty.	US List	Can. List
41	See air switch table pg. 400		Air pressure switch	1	CALL	CALL
42	460783		Module, ignition control ¹	1	436.69	489.09
43	472086		Temperature controller assembly ¹	1	417.07	467.12
44	471727		Right door assembly with controller ¹	1	942.73	1055.86
44	472372		Right door assembly w/o controller ¹	1	303.12	339.49
45	471900	200	Left door assembly	1	217.42	243.51
45	472318	250	Left door assembly	1	229.94	257.53
45	471918	300	Left door assembly	1	252.01	282.25
45	471726	400	Left door assembly	1	213.50	239.12
NOT SHOWN						
	075173		Thermal cut-off ¹	1	18.35	20.55
	472508		Transformer, 40 VA ¹	1	42.24	47.31
	472375		Wire harness assembly ¹	1	202.08	226.33
	460506		Indoor vent adaptor, 4 in. ¹	1	119.49	133.83
	470328		Fan Tubing		13.28	14.87
	471548		Control Panel Cover		10.95	12.26
	471773		Power Switch		12.87	14.41
	471715		Top Panel Clips		4.42	4.95
	471549		Control Cover Hinge		1.24	1.39
	070715		Clips to Hold Thermal Fuse		1.24	1.39
	470184		Thermostat Knob		10.25	11.48
	470181		Thermostat Stems		4.89	5.48
	472255		Face Plate		4.61	5.16

¹ Part No. used in Model Nos., 200, 250, 300, 400.

² Part No. used in Model Nos., 250, 300, 400.

³ Qty. = Model 200 (4 ea.), 250 (5 ea.), 300 (6 ea.), 400 (8 ea.).

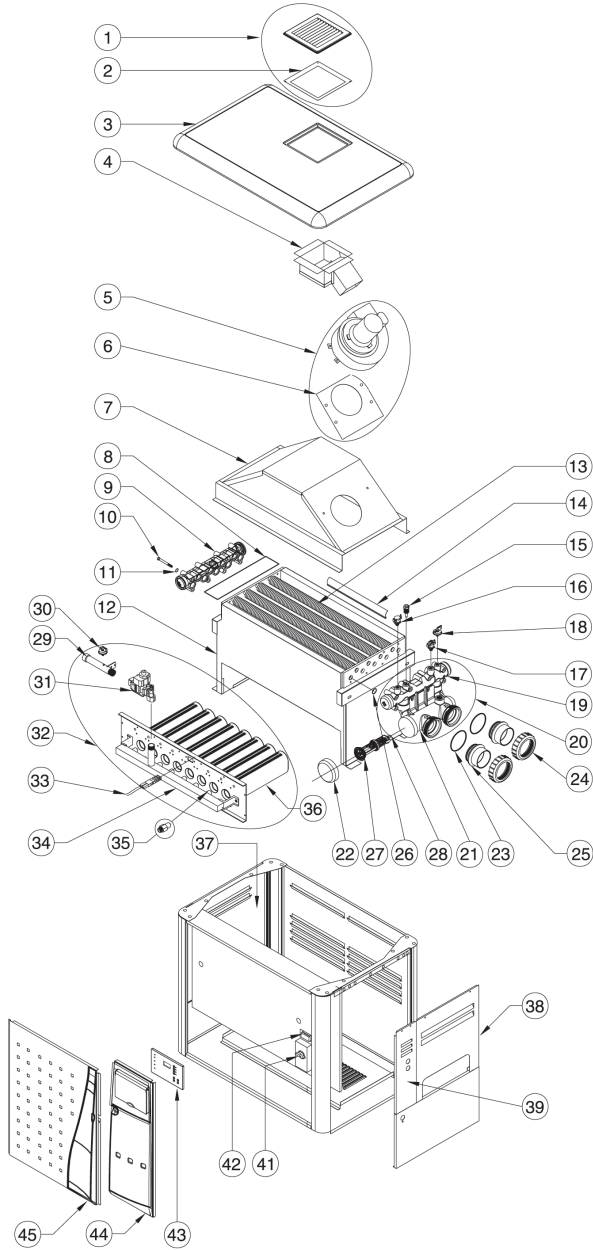
⁴ Kit includes gas valve, elbow, mounting bracket, and side panel.

MiniMax[®] NT LN Heater, w/DDTC Controller

Replacement Parts



MiniMax NT LN Heater — (Non-ASME Shown)



(Note: Pictorial is shown with DDTC Controller)

Item	Part No.	Mod.	Description	Qty.	US List	Can. List
MINIMAX[®] NT LN , w/DDTC						
1	472352		Exhaust grill w/gasket ¹	1	68.55	76.78
2	471701		Gasket, exhaust grill ¹	1	15.42	17.27
3	472353	200	Top cover w/posts	1	302.41	338.70
3	472354	250	Top cover w/posts	1	294.97	330.37
3	472355	300	Top cover w/posts	1	301.91	338.14
3	472356	400	Top cover w/posts	1	315.85	353.75
4	472357	200	Exhaust assembly	1	192.77	215.90
4	472359	250	Exhaust assembly	1	CALL	CALL
4	472357	300	Exhaust assembly	1	192.77	215.90
4	472358	400	Exhaust assembly	1	192.77	215.90
5	472361	200	Blower w/gasket	1	602.72	675.05
5	472362		Blower w/gasket ²	1	602.72	675.05
6	471610		Gasket, blower ¹	1	16.70	18.70
7	472007	250	Flue collector	1	97.57	109.28
7	472006	300	Flue collector	1	108.02	120.98
7	472005	400	Flue collector	1	114.98	128.78
8	472270		Insulation, header/Hi-limit ¹	1	7.31	8.19
9	471991		Return header assembly ¹	1	64.58	72.33
10	471622		Bolt, heat exchanger ¹	16	1.24	1.39
11	072184		Washer, heat exchanger ¹	16	1.24	1.39
12	471904	200	Fire box assembly	1	341.44	382.41
12	471835	250	Fire box assembly	1	444.81	498.19
12	471922	300	Fire box assembly	1	529.55	593.10
12	472332	400	Fire box assembly	1	591.40	662.37
13	471910	200	Heat exchanger w/headers	1	1441.30	1614.26
13	471785	250	Heat exchanger w/headers	1	1512.00	1693.44
13	471928	300	Heat exchanger w/headers	1	1604.20	1796.70
13	471838	400	Heat exchanger w/headers	1	1792.47	2007.57
13	471933	200	Heat exchanger w/o headers	1	748.70	838.54
13	471934	250	Heat exchanger w/o headers	1	777.98	871.34
13	471935	300	Heat exchanger w/o headers	1	859.62	962.77
13	471936	400	Heat exchanger w/o headers	1	1080.36	1210.00
14	471642	200	Baffle, heat exchanger	8	4.13	4.63
14	471641	250	Baffle, heat exchanger	8	4.63	5.19
14	471896	300	Baffle, heat exchanger	8	6.98	7.82
14	471640	400	Baffle, heat exchanger	16	4.89	5.48
15	471566		Thermistor probe ¹	1	41.76	46.77
16	471587		Hi-limit thermostat, 115°F ¹	1	39.44	44.17
17	471694		Hi-limit thermostat, 150°F ¹	1	40.17	44.99
18	472125		Water pressure switch ¹	1	CALL	CALL
19	472363		In/out top sub-header assembly ¹	1	126.59	141.78

MiniMax[®] NT LN Heater w/DDTC Controller (Cont'd)

Replacement Parts



Item	Part No.	Mod.	Description	Qty.	US List	Can. List
MINIMAX[®] NT LN , w/DDTC						
20	471992		In/out main header assembly ¹	1	386.50	432.88
21	472364		In/out bottom sub-header ¹	1	134.69	150.85
22	471420		Cap, In/out bottom sub- header ¹	1	10.95	12.26
23	274494		O-ring, adapter ¹	2	3.85	4.31
24	274440		Adapter, bulkhead ring ¹	2	13.10	14.67
25	471441		Adapter, bulkhead, 2 in. ¹	2	14.27	15.98
26	070951		Gasket, fin tube, seal ¹	18	1.24	1.39
27	471750		Flow valve assembly ¹	1	167.31	187.39
28	472330		Power element, flow valve ¹	1	45.31	50.75
29	471597		Sub-gas manifold ¹	1	36.38	40.75
30	472083		Gas pressure switch ¹	1	85.38	95.63
31	460760		Gas valve, natural gas ¹	1	282.26	316.13
32	471905	200	Burner tray assembly	1	CALL	CALL
32	472016	250	Burner tray assembly	1	1060.86	1188.16
32	471923	300	Burner tray assembly	1	1371.53	1536.11
32	471981	400	Burner tray assembly	1	2026.08	2269.21
33	471696		Igniter and bracket ¹	1	95.93	107.44
34	471872	200	Gas manifold	1	CALL	CALL
34	471700	250	Gas manifold	1	CALL	CALL
34	471956	300	Gas manifold	1	CALL	CALL
34	471699	400	Gas manifold	1	CALL	CALL
35	See pg. 401		Gas orifices, natural ^{1,3}		CALL	CALL
36	471668		Burner ^{1,3}		64.37	72.09
37	471575		Jacket, upper panel, left ¹	1	86.36	96.72
38	471576		Jacket, upper panel, right ¹	1	86.36	96.72
39	471767		Jacket, upper sub-plate ¹	2	40.68	45.56

Item	Part No.	Mod.	Description	Qty.	US List	Can. List
41	See pg. 400		Air pressure switch	1	CALL	CALL
42	472447		Module, ignition control (Module Only) ¹	1	200.14	224.16
43	472100		DDTC board ¹	1	501.77	561.98
44	471727		Right door assembly with controller ¹	1	942.73	1055.86
44	472372		Right door assembly w/o controller ¹	1	303.12	339.49
45	471900	200	Left door assembly	1	217.42	243.51
45	472318	250	Left door assembly	1	229.94	257.53
45	471918	300	Left door assembly	1	252.01	282.25
45	471726	400	Left door assembly	1	213.50	239.12
NOT SHOWN						
	075173		Thermal Cut-off ¹	1	18.35	20.55
	472508		Transformer, 40 VA ¹	1	42.24	47.31
	460506		Indoor vent adaptor, 4 in. ¹	1	119.49	133.83
	460507		Indoor vent adaptor, 5 in. ¹	1	119.85	134.23
	470328		Fan Tubing		13.28	14.87
	471548		Control Panel Cover		10.95	12.26
	471773		Power Switch		12.87	14.41
	471715		Top Panel Clips		4.42	4.95
	471549		Control Cover Hinge		1.24	1.39
	070715		Clips to Hold Thermal Fuse		1.24	1.39
	470184		Thermostat Knobs		10.25	11.48
	470181		Thermostat Stems		4.89	5.48
	472254		Mounting Plate for DDTC		4.80	5.38

¹ Part No. used in Model Nos., 200, 250, 300, 400.

² Part No. used in Model Nos., 250, 300, 400.

³ Qty. = Model 200 (4 ea.), 250 (5 ea.), 300 (6 ea.), 400 (8 ea.).

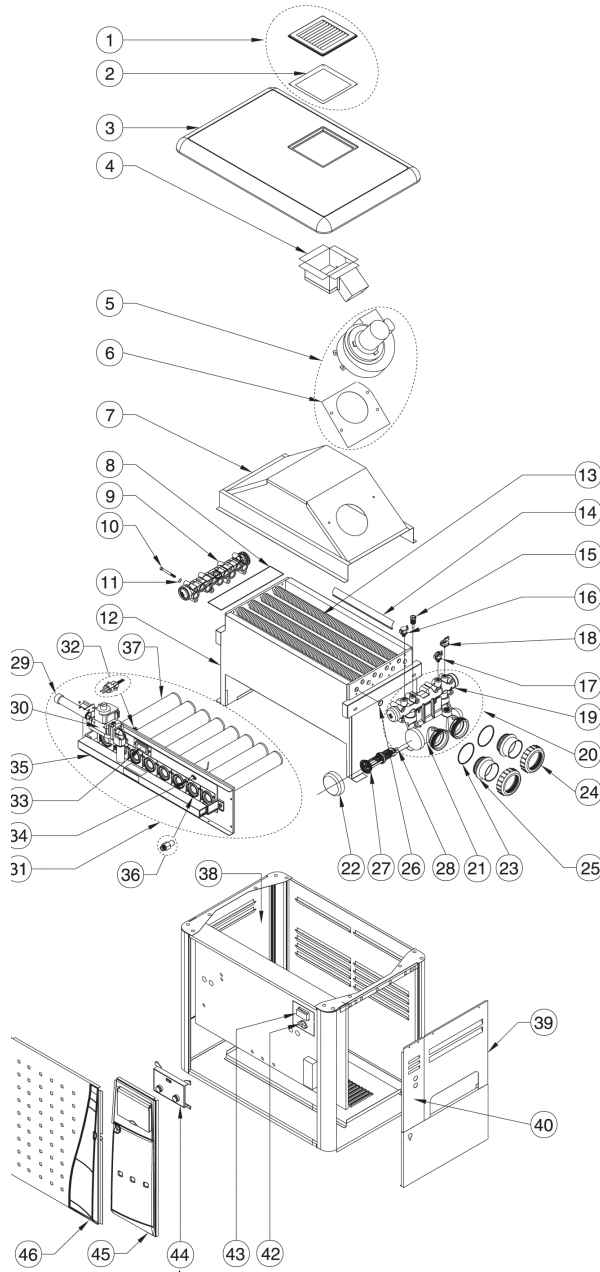
⁴ Kit includes gas valve, elbow, mounting bracket, and side panel.

MiniMax[®] NT TSI Heater, w/ 6800 Controller

Replacement Parts



MiniMax NT TSI Heater — (Non-ASME Shown)



(Note: Pictorial is shown with 6800 Controller)

Item	Part No.	Mod.	Description	Qty.	US List	Can. List
MINIMAX[®] NT TSI , w/ 6800						
1	472352		Exhaust grill w/gasket ¹	1	68.55	76.78
2	471701		Gasket, exhaust grill ¹	1	15.42	17.27
3	472353	200	Top cover w/posts	1	302.41	338.70
3	472354	250	Top cover w/posts	1	294.97	330.37
3	472355	300	Top cover w/posts	1	301.91	338.14
3	472356	400	Top cover w/posts	1	315.85	353.75
4	472357	200	Exhaust assembly	1	192.77	215.90
4	472358	250	Exhaust assembly	1	192.77	215.90
4	472359	300	Exhaust assembly	1	CALL	CALL
4	472358	400	Exhaust assembly	1	192.77	215.90
5	472361		Blower w/gasket ²	1	602.72	675.05
5	472524		Blower w/gasket ³	1	408.11	457.08
6	471610		Gasket, Blower ¹	1	16.70	18.70
7	472007	250	Flue collector	1	97.57	109.28
7	472006	300	Flue collector	1	108.02	120.98
7	472005	400	Flue collector	1	114.98	128.78
8	472270		Insulation, header/Hi-limit ¹	1	7.31	8.19
9	471991		Return header assembly ¹	1	64.58	72.33
10	471622		Bolt, heat exchanger ¹	16	1.24	1.39
11	072184		Washer, heat exchanger ¹	16	1.24	1.39
12	471904	200	Fire box assembly	1	341.44	382.41
12	471835	250	Fire box assembly	1	444.81	498.19
12	471922	300	Fire box assembly	1	529.55	593.10
12	472332	400	Fire box assembly	1	591.40	662.37
13	471910	200	Heat exchanger w/headers	1	1441.30	1614.26
13	471785	250	Heat exchanger w/headers	1	1512.00	1693.44
13	471928	300	Heat exchanger w/headers	1	1604.20	1796.70
13	471838	400	Heat exchanger w/headers	1	1792.47	2007.57
13	471933	200	Heat exchanger w/o headers	1	748.70	838.54
13	471934	250	Heat exchanger w/o headers	1	777.98	871.34
13	471935	300	Heat exchanger w/o headers	1	859.62	962.77
13	471936	400	Heat exchanger w/o headers	1	1080.36	1210.00
14	471642	200	Baffle, heat exchanger	8	4.13	4.63
14	471641	250	Baffle, heat exchanger	8	4.63	5.19
14	471896	300	Baffle, heat exchanger	8	6.98	7.82
14	471640	400	Baffle, heat exchanger	16	4.89	5.48
15	471566		Thermistor probe ¹	1	41.76	46.77
16	471587		Hi-limit thermostat, 115°F ¹	1	39.44	44.17
17	471694		Hi-limit thermostat, 150°F ¹	1	40.17	44.99
18	472125		Water pressure switch ¹	1	CALL	CALL
19	472363		In/out top sub-header assembly ¹	1	126.59	141.78
20	471992		In/out main header assembly ¹	1	386.50	432.88
21	472364		In/out Bottom Sub-header ¹	1	134.69	150.85

MiniMax® NT TSI Heater, w/ 6800 Controller (Cont'd)

Replacement Parts



Item	Part No.	Mod.	Description	Qty.	US List	Can. List
MINIMAX® NT TSI , w/ 6800						
22	471420		Cap, In/out Bottom sub-header ¹	1	10.95	12.26
23	274494		O-ring, adapter ¹	2	3.85	4.31
24	274440		Adapter, bulkhead ring ¹	2	13.10	14.67
25	471441		Adapter, bulkhead, 2 in. ¹	2	14.27	15.98
26	070951		Gasket, fin tube, seal ¹	18	1.24	1.39
27	471750		Flow valve assembly ¹	1	167.31	187.39
28	472330		Power element, flow valve ¹	1	45.31	50.75
29	472365		Sub-gas manifold w/ plug ¹	1	77.15	86.41
30	460762		Gas valve, natural gas ¹	1	282.26	316.13
31	472366	200	Burner tray assembly	1	961.33	1076.69
31	472367	250	Burner tray assembly	1	1107.88	1240.83
31	472368	300	Burner tray assembly	1	1131.10	1266.83
31	472369	400	Burner tray assembly	1	1383.15	1549.13
32	460799Z		Igniter ¹	1	118.87	133.13
33	472370		Window glass w/holder ¹	1	55.72	62.41
34	472251		Flame sensor ¹	1	18.73	20.98
35	472285	200	Gas manifold w/ orifices, 0–4000 ft.	1	CALL	CALL
35	472286	250	Gas manifold w/ orifices, 0–4000 ft.	1	118.32	132.52
35	472287	300	Gas manifold w/ orifices, 0–4000 ft.	1	CALL	CALL
35	472288	400	Gas manifold w/ orifices, 0–4000 ft.	1	155.57	174.24
36	See pg. 401		Gas orifice, natural ¹	4	CALL	CALL
37	472211		Burner ¹	4	68.55	76.78
38	471575		Jacket, upper panel, left ¹	1	86.36	96.72
39	471576		Jacket, upper panel, right ¹	1	86.36	96.72
40	471767		Jacket, upper sub-plate ¹	2	40.68	45.56

Item	Part No.	Mod.	Description	Qty.	US List	Can. List
42	See air switch table pg. 400		Air pressure switch	1	CALL	CALL
43	472449		Module, ignition control ¹	1	405.00	453.60
44	472086		Temperature controller assembly ¹	1	417.07	467.12
45	472087		Right door assembly with controller ¹	1	414.62	464.37
45	472097		Right door assembly w/o controller ¹	1	276.83	310.05
46	471900	200	Left door assembly	1	217.42	243.51
46	472318	250	Left door assembly	1	229.94	257.53
46	471918	300	Left door assembly	1	252.01	282.25
46	471726	400	Left door assembly	1	213.50	239.12
NOT SHOWN						
	075173		Thermal cut-off ¹	1	18.35	20.55
	472508		Transformer, 40 VA ¹	1	42.24	47.31
	460506		Indoor vent adaptor, 4 in. ¹	1	119.49	133.83
	460507		Indoor vent adaptor, 5 in. ¹	1	119.85	134.23
	472320		Wire harness assembly ¹	1	212.21	237.68
	460762		Gas valve kit TSI ⁵		282.26	316.13
	470328		Fan Tubing		13.28	14.87
	471548		Control Panel Cover		10.95	12.26
	471773		Power Switch		12.87	14.41
	471715		Top Panel Clips		4.42	4.95
	471549		Control Cover Hinge		1.24	1.39
	070715		Clips to Hold Thermal Fuse		1.24	1.39
	470184		Thermostat Knobs		10.25	11.48
	470181		Thermostat Stems		4.89	5.48
	472473		Gasket Front Burner 400 NT TSI		26.04	29.16

¹ Part No. used in Model Nos., 200, 250, 300, 400.

² Part No. used in Model Nos., 200, 250.

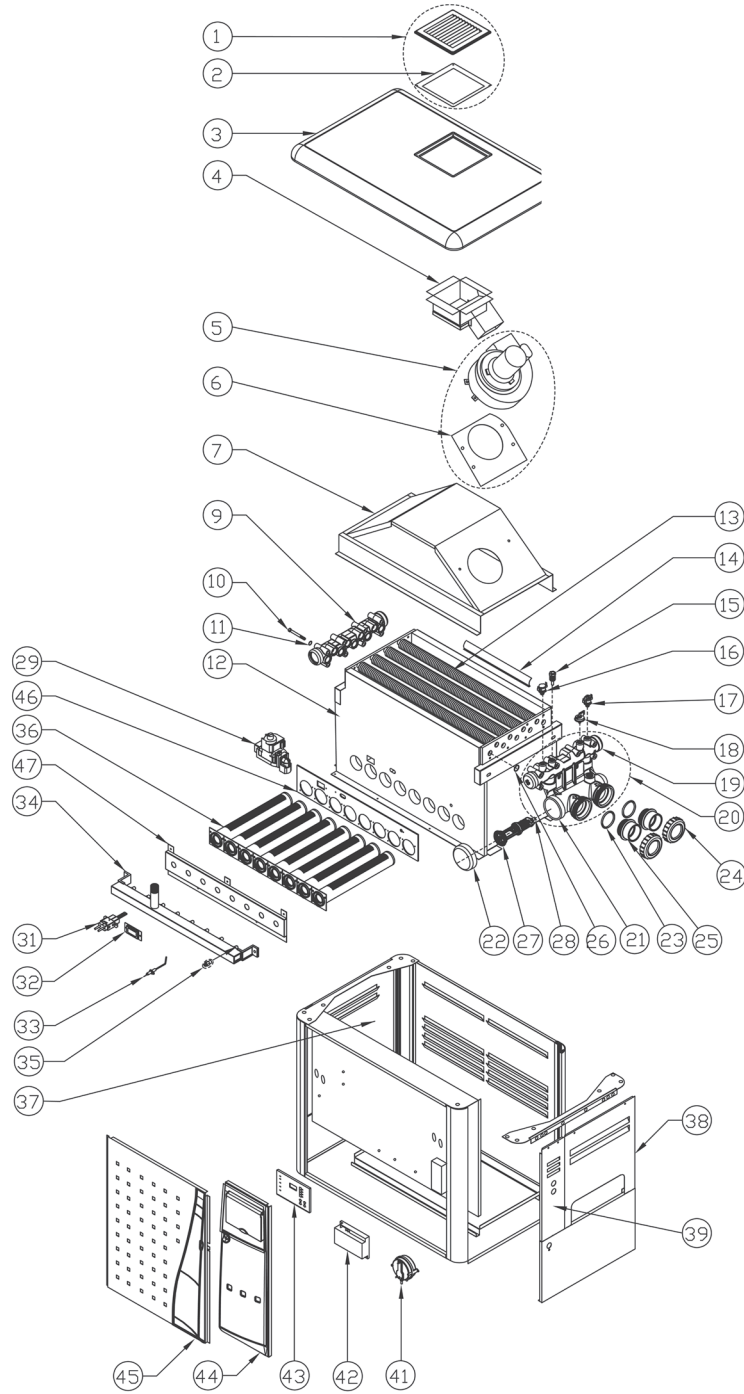
³ Part No. used in Model Nos., 300, 400.

⁴ Qty. = Model 200 (4ea.), 250 (5 ea.), 300 (6 ea.), 400 (8 ea.).

⁵ Kit includes gas valve, elbow, mounting bracket, and side panel.

MiniMax[®] NT TSI Heater, w/DDTC Controller

Replacement Parts



MiniMax[®] NT TSI Heater, w/DDTC Controller

Replacement Parts

Item	Part No.	Mod.	Description	Qty	US List	Can. List
MINIMAX[®] NT TSI , w/DDTC						
1	472352		Exhaust grill w/gasket ¹	1	68.55	76.78
2	471701		Gasket, exhaust grill ¹	1	15.42	17.27
3	472353	200	Top cover w/posts	1	302.41	338.70
3	472354	250	Top cover w/posts	1	294.97	330.37
3	472355	300	Top cover w/posts	1	301.91	338.14
3	472356	400	Top cover w/posts	1	315.85	353.75
4	CALL	200	Exhaust assembly	1	CALL	CALL
4	CALL	250	Exhaust assembly	1	CALL	CALL
4	CALL	300	Exhaust assembly	1	CALL	CALL
4	472373	400	Exhaust assembly	1	192.77	215.90
5	472361		Blower w/gasket ²	1	602.72	675.05
5	472524	400	Blower w/gasket	1	408.11	457.08
6	471610		Gasket, Blower ¹	1	16.70	18.70
7	472007	250	Flue collector	1	97.57	109.28
7	472006	300	Flue collector	1	108.02	120.98
7	472005	400	Flue collector	1	114.98	128.78
9	471991		Return header assembly ¹	1	64.58	72.33
10	471622		Bolt, heat exchanger ¹	16	1.24	1.39
11	072184		Washer, heat exchanger ¹	16	1.24	1.39
13	471910	200	Heat exchanger w/headers	1	1441.30	1614.26
13	471785	250	Heat exchanger w/headers	1	1512.00	1693.44
13	471928	300	Heat exchanger w/headers	1	1604.20	1796.70
13	471838	400	Heat exchanger w/headers	1	1792.47	2007.57
13	471933	200	Heat exchanger w/o headers	1	748.70	838.54
13	471934	250	Heat exchanger w/o headers	1	777.98	871.34
13	471935	300	Heat exchanger w/o headers	1	859.62	962.77
13	471936	400	Heat exchanger w/o headers	1	1080.36	1210.00
14	471642	200	Baffle, heat exchanger	8	4.13	4.63
14	471641	250	Baffle, heat exchanger	8	4.63	5.19
14	471896	300	Baffle, heat exchanger	8	6.98	7.82
14	471640	400	Baffle, heat exchanger	16	4.89	5.48
15	471566		Thermistor probe ¹	1	41.76	46.77
16	471587		Hi-Limit thermostat 115°F ¹	1	39.44	44.17
17	471694		Hi-Limit thermostat 150°F ¹	1	40.17	44.99
18	472125		Water pressure switch ¹	1	CALL	CALL
19	472363		In/out top sub header assembly ¹	1	126.59	141.78
20	471992		In/out main header assembly ¹	1	386.50	432.88
21	472364		In/out bottom sub-header ¹	1	134.69	150.85
22	471420		Cap, In/out bottom sub-header ¹	1	10.95	12.26
23	274494		O-ring, adapter ¹	2	3.85	4.31
24	274440		Adapter, bulkhead ring ¹	2	13.10	14.67
25	471441		Adapter, bulkhead, 2 in ¹	2	14.27	15.98
26	070951		Gasket, fin tube, seal ¹	18	1.24	1.39

Item	Part No.	Mod.	Description	Qty	US List	Can. List
27	471750		Flow valve assembly ¹	1	167.31	187.39
28	472330		Power element, flow valve ¹	1	45.31	50.75
29	460762		Gas valve, natural gas ¹	1	282.26	316.13
31	472477Z		Igniter ¹	1	99.99	111.99
32	472370		Window glass w/holder ¹	1	55.72	62.41
33	472251		Flame sensor ¹	1	18.73	20.98
34	472285	200	Gas manifold w/orifices, 0-3000 ft.	1	CALL	CALL
34	472286	250	Gas manifold w/orifices, 0-3000 ft.	1	118.32	132.52
34	472287	300	Gas manifold w/orifices, 0-3000 ft.	1	CALL	CALL
34	472288	400	Gas manifold w/orifices, 0-3000 ft.	1	155.57	174.24
35	See pg. 400		Gas Orifice, natural ^{1,4}		CALL	CALL
36	472211		Burner ^{1,4}		68.55	76.78
37	471575		Jacket, Upper panel, left ¹	1	86.36	96.72
38	471576		Jacket, upper panel, right ¹	1	86.36	96.72
39	471767		Jacket, upper sub-plate ¹	2	40.68	45.56
41	See pg. 401		Air pressure switch	1	CALL	CALL
42	472150		Module, ignition control ¹	1	207.90	232.85
43	472100		Temperature controller assembly, DDTC ¹	1	501.77	561.98
44	472087		Right door assembly with controller ¹	1	414.62	464.37
44	472372		Right door assembly w/o controller ¹	1	303.12	339.49
45	471900	200	Left door assembly	1	217.42	243.51
45	472318	250	Left door assembly	1	229.94	257.53
45	471918	300	Left door assembly	1	252.01	282.25
45	471726	400	Left door assembly	1	213.50	239.12
NOT SHOWN						
	075173		Thermal Cut-off ¹	1	18.35	20.55
	472508		Transformer, 40 VA ¹	1	42.24	47.31
	460506		Indoor vent adaptor, 4 in. ¹	1	119.49	133.83
	460507		Indoor vent adaptor, 5 in. ¹	1	119.85	134.23
	472514		Wire harness assembly ¹	1	101.20	113.34
	470328		Fan Tubing		13.28	14.87
	471548		Control Panel Cover		10.95	12.26
	471773		Power Switch		12.87	14.41
	471715		Top Panel Clips		4.42	4.95
	471549		Control Cover Hinge		1.24	1.39
	070715		Clips to Hold Thermal Fuse		1.24	1.39
	472473		Burner Gasket 400 NT TSI		26.04	29.16

¹ Part No. used in Model Nos., 200, 250, 300, 400.

² Part No. used in Model Nos., 200, 250, 300.

³ Part No. used in Model Nos., 300, 400.

⁴ Qty. = Model 200 (4 ea.), 250(5 ea.), 300(6 ea.), 400. (8 ea.).

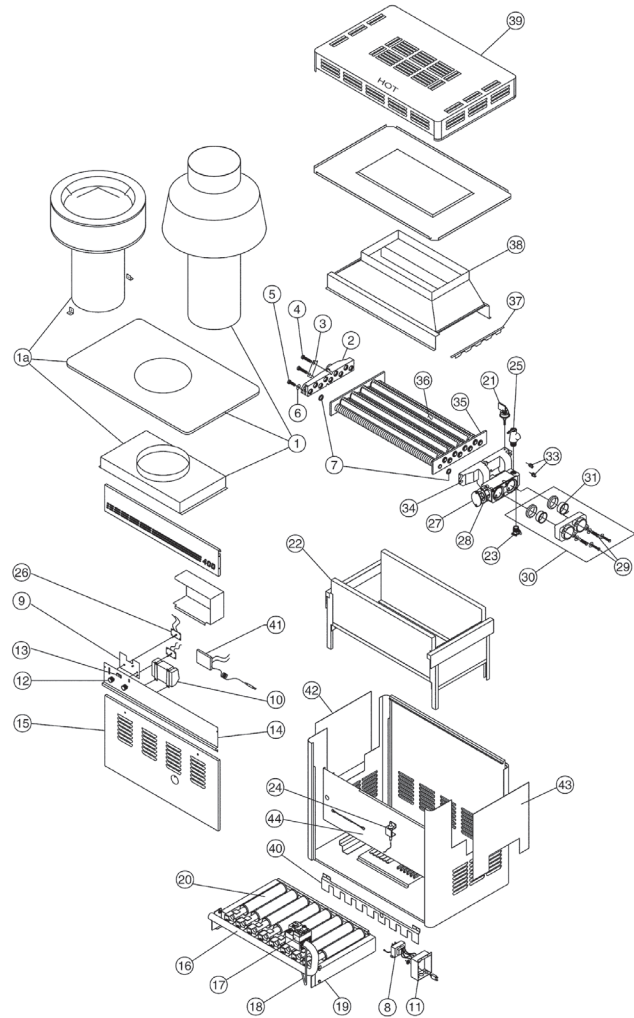
⁵ Kit includes gas valve, elbow, mounting bracket, and side panel.

MiniMax® Plus Heater

Replacement Parts



In January 1996, the circuit boards for Minimax Heaters were changed at the terminals by request of the American National Standard Institute (ANSI) and the American Gas Association (A.G.A.), the two approval agencies for the manufacturing of gas heaters in the United States. If you have a heater manufactured before January 1, 1996 and you receive a newer circuit board with the smaller terminals and the older thermistor has larger connectors, the larger connectors can be crimped so they will fit tight on the newer circuit board terminals, contact a Pool Service Professional for details.



Item	Part No.	Mod.	Description	Qty.	US List	Can. List
VENT KIT ASSEMBLY						
I	460227	150	Indoor	I	258.50	289.52
I	460228	200	Indoor	I	258.50	289.52
I	460230	250	Indoor	I	263.48	295.10
I	460231	300	Indoor	I	285.70	319.98
Ia	460233	350	Outdoor	I	270.94	303.45
Ia	460234	400	Outdoor	I	285.70	319.98
Ia	460237	150	Outdoor	I	256.11	286.84
Ia	460222	200	Outdoor	I	256.11	286.84
Ia	460223	250	Outdoor	I	261.03	292.35
Ia	460224	300	Outdoor	I	285.70	319.98
Ia	460225	350	Kit Outdoor Vent, 350 PLS	I	285.70	319.98
Ia	460226	400	Kit Outdoor Vent, 400 PLS	I	285.70	319.98
2	070994		Header Return	I	192.32	215.40

Item	Part No.	Mod.	Description	Qty.	US List	Can. List
3	074216		Bracket Washer	2	4.92	5.51
4	073739		Bolt 3/8, 16 x 2 in. ¹	4	1.24	1.39
5	070416		Bolt 3/8, 16 x 1-1/2 in. ¹	4	1.24	1.39
6	072180		Washer 3/8 in.	4	1.24	1.39
7	070951		Gasket, steel tube	18	1.24	1.39
8	471360		Transformer 24 Vac CH with circuit breaker	I	59.16	66.26
9	470179		Electronic thermostat circuit board	I	194.89	218.28
10	073584		Module natural gas ¹	I	264.55	296.30
10	073585		Module propane gas ¹	I	273.23	306.02
11	470122		Junction Box 110 unit	I	30.23	33.86
12	470184		Thermostat knob	10.25	11.48	
13	470186		Switch, rocker Single pole, double throw	10.05	11.26	

MiniMax® Plus Heater (Cont'd)

Replacement Parts

Item	Part No.	Mod.	Description	Qty.	US List	Can. List
CONTROL PANEL ASSEMBLY, COMPLETE						
14	470295	150	Natural, IID	1	711.17	796.51
14	470297	250	Natural, IID	1	712.12	797.57
14	470187	400	Natural, IID	1	721.59	808.18
14	470987	150	Propane, IID	1	595.11	666.52
14	470989	250	Propane, IID	1	630.10	705.71
14	470992	400	Propane, IID	1	682.55	764.46
14	471020	150	Millivolt	1	516.37	578.33
14	471021	200	Millivolt	1	518.01	580.17
14	471023	300	Millivolt	1	530.99	594.71
14	471024	350	Millivolt	1	537.61	602.12
14	471025	400	Millivolt	1	546.25	611.80
15	075468	150	Door, IID or millivolt	1	91.98	103.02
15	075604	200	Door, IID or millivolt	1	133.32	149.32
15	075488	250	Door, IID or millivolt	1	98.40	110.21
15	075605	300	Door, IID or millivolt	1	CALL	CALL
15	075606	350	Door, IID or millivolt	1	172.23	192.90
15	075490	400	Door, IID or millivolt	1	180.09	201.70
16	070256	150	Manifold burner	1	48.83	54.69
16	075525	200	Manifold burner	1	51.96	58.20
16	070257	250	Manifold burner	1	54.82	61.40
16	075526	300	Manifold burner	1	58.30	65.30
16	075527	350	Manifold burner	1	58.50	65.52
16	070258	400	Manifold burner	1	64.79	72.56
17	073998		Gas valve natural, IID ¹	1	299.14	335.04
17	073999		Gas valve propane, IID ¹	1	299.14	335.04
17	075457		Gas valve natural, millivolt ¹	1	390.14	436.96
17	075458		Gas valve propane, millivolt ¹	1	384.28	430.39
18	075191		Pilot tube, IID ²	1	57.14	64.00
18	075192		Pilot tube, IID ³	1	57.14	64.00
18	075193		Pilot tube, IID ⁴	1	57.14	64.00
18	076084		Pilot tube, millivolt ²	1	71.42	79.99
18	076085		Pilot tube, millivolt ³	1	57.14	64.00
18	076086		Pilot tube, millivolt ⁴	1	57.14	64.00
BURNER TRAY ASSEMBLY, COMPLETE						
19	073752	150	Natural, IID	1	883.15	989.13
19	075499	200	Natural, IID	1	1072.37	1201.05
19	073751	250	Natural, IID	1	1154.14	1292.64
19	075500	300	Natural, IID	1	1429.24	1600.75
19	075501	350	Natural, IID	1	1433.30	1605.30
19	073750	400	Natural, IID	1	1696.25	1899.80
19	073906	150	Propane, IID	1	909.74	1018.91
19	075508	200	Propane, IID	1	1129.70	1265.26
19	073905	250	Propane, IID	1	1154.14	1292.64
19	075510	350	Propane, IID	1	1438.71	1611.36
19	073904	400	Propane, IID	1	1696.25	1899.80
19	075493	150	Natural, millivolt	1	1170.80	1311.30

Item	Part No.	Mod.	Description	Qty.	US List	Can. List
19	075494	250	Natural, millivolt	1	1424.12	1595.01
19	075497	300	Natural, millivolt	1	1506.55	1687.34
19	075498	350	Natural, millivolt	1	CALL	CALL
19	075495	400	Natural, millivolt	1	1847.65	2069.37
19	075502	150	Propane, millivolt	1	1167.99	1308.15
19	075505	200	Propane, millivolt	1	1300.95	1457.06
19	075503	250	Propane, millivolt	1	1423.17	1593.95
19	075506	300	Propane, millivolt	1	1506.55	1687.34
19	075507	350	Propane, millivolt	1	1719.49	1925.83
19	075504	400	Propane, millivolt	1	1849.51	2071.45
20	070230		Burner ¹	8	103.69	116.13
20a	470550		Burner w/ pilot bracket ¹	1	103.82	116.28
21	470190		Pressure switch ¹	1	97.57	109.28
COMBUSTION CHAMBER ASSEMBLY, COMPLETE						
22	073858	150	Assembly	1	400.02	448.02
22	075586	200	Assembly	1	428.02	479.38
22	073857	250	Assembly	1	466.58	522.57
22	075587	300	Assembly	1	488.53	547.15
22	075588	350	Assembly	1	477.72	535.05
22	073856	400	Assembly	1	536.74	601.15
23	072134		Valve drain, 3/4 in. ¹	1	26.26	29.41
24	075459		Presslite igniter assembly (Millivolt units only) ¹	1	16.21	18.16
25	072138		Valve relief, 3/4 in. 50# ^{1,7}	1	65.66	73.54
26	471678		Potentiometer (Millivolt only) ¹	2	19.47	21.81
27	471424		Flow valve assembly standard, complete ¹	1	122.91	137.66
27	073989		Flow valve assembly ASME, complete ¹	1	194.23	217.54
28	074015		Flow valve gasket ¹	4	4.89	5.48
29	075492		Bolt, 3/8, 16 x 2-1/2 ¹	2	1.24	1.39
30	075284		Quick flange kit ¹	1	103.19	115.57
31	070544		Bushing in/out Lexan ¹	2	4.89	5.48
32	071895		Sleeve, rubber in/out, 2 in. ¹	2	9.22	10.33
33	071017		Safety shut-off ¹	2	35.66	39.94
34	070985		Main header (in/out) ¹	1	549.17	615.07
HEAT EXCHANGER, WITH HEADS						
35	470364	150	Heat exchanger	1	1878.95	2104.42
35	470365	200	Heat exchanger	1	1967.21	2203.28
35	470366	250	Heat exchanger	1	2045.23	2290.66
35	470367	300	Heat exchanger	1	2144.25	2401.56
35	470368	350	Heat exchanger	1	2105.09	2357.70
35	470369	400	Heat exchanger	1	2307.31	2584.19

MiniMax® Plus Heater (Cont'd)

Replacement Parts



Item	Part No.	Mod.	Description	Qty.	US List	Can. List
HEAT EXCHANGER, WITH HEADS						
35	470371	200	Heat Exchanger	1	2033.04	2277.00
35	470372	250	Heat Exchanger	1	2124.07	2378.96
35	470373	300	Heat Exchanger	1	2177.85	2439.19
35	470375	400	Heat Exchanger	1	2543.45	2848.66
HEAT EXCHANGER, WITHOUT HEADS						
35	074452	150	Heat exchanger	1	660.97	740.29
35	075628	200	Heat exchanger	1	726.75	813.96
35	074451	250	Heat exchanger	1	888.52	995.14
35	075629	300	Heat exchanger	1	896.87	1004.49
35	075630	350	Heat exchanger	1	982.48	1100.38
35	074074	400	Heat exchanger	1	1082.33	1212.21
36	070277	150	Baffle	8	5.21	5.84
36	075559	200	Baffle	8	4.89	5.48
36	070276	250	Baffle	8	5.21	5.84
36	075560	300	Baffle	8	4.89	5.48
36	070277	350	Baffle	16	5.21	5.84
36	070278	400	Baffle	16	5.58	6.25
37	472329		Baffle hld. down, 2 req. on 400 ¹	1	8.08	9.05
38	073864	150	Flue collector	1	152.59	170.90
38	075622	200	Flue collector	1	170.78	191.27
38	073863	250	Flue collector	1	170.78	191.27
38	075623	300	Flue collector	1	CALL	CALL
38	075624	350	Flue collector	1	162.64	182.16
38	073862	400	Flue collector	1	170.78	191.27
39	470471	150	Outdoor top assembly	1	318.62	356.85
39	470472	200	Outdoor top assembly	1	338.29	378.88
39	470473	250	Outdoor top assembly	1	321.02	359.54
39	470474	300	Outdoor top assembly	1	366.87	410.89
39	470475	350	Outdoor top assembly	1	451.83	506.05
39	470476	400	Outdoor top assembly	1	367.44	411.53
LIGHTBACK SHIELD (PROPANE GAS UNITS ONLY)						
40	075783	150	Lightback shield	1	CALL	CALL
40	075784	200	Lightback shield	1	CALL	CALL
40	075785	250	Lightback shield	1	24.68	27.64
40	075786	300	Lightback shield	1	CALL	CALL
40	075787	350	Lightback shield	1	27.62	30.93
40	075788	400	Lightback shield	1	31.29	35.04
41	471677		Electronic thermostat, millivolt	1	129.31	144.83
41	471677		Electronic thermostat, millivolt (Black Box)	1	129.31	144.83
41	072022		Thermostat 48 in. Capillary, Qty 2	1	149.63	167.59
42	073789		Panel, return ¹	1	24.06	26.95
43	073790		Panel, in/out ¹	1	28.03	31.39
44	075173		Thermal cut-off, fusible link ¹	1	18.35	20.55
NOT SHOWN						
	070715		Plastic mounting bracket ¹	1	1.24	1.39
	470965		Wire kit, harness IID complete ¹	1	97.48	109.18
	471277		Clips for wire harness ¹	1	4.89	5.48
	075511		Wire kit, millivolt ¹	1	28.83	32.29

Item	Part No.	Mod.	Description	Qty.	US List	Can. List
	071703		Screw, 8 x 1/4 in. hh. ¹	1	CALL	CALL
	071698		Screw, 8 x 1/2 in. hh. ¹	1	1.24	1.39
	071716		Screw, 6 x 1/4 in. ¹	1	1.24	1.39
	071659		Screw, 10-32 x 1/4 in. ¹	1	CALL	CALL
	075692		Screw, 10-32 x 3/16 ¹	1	CALL	CALL
	070551		Bushing, 1/2 in. ¹	1	CALL	CALL
	470414		Therm. knob stopper ¹	2	6.70	7.50
	470178		Power element (flow-valve) ¹	1	48.03	53.79
	073725		Bolt 5/16, 18 x 3/4 in. ¹	2	1.24	1.39
	471204		Pilot, natural, IID ¹	1	94.88	106.27
	471205		Pilot, propane, IID ¹	1	94.88	106.27
	471292		Pilot, natural, millivolt, includes blue spark wire	1	52.84	59.18
	471291		Pilot, propane, millivolt, includes blue spark wire ¹	1	52.84	59.18
	071515		Pilot, generator ¹	1	85.58	95.85
	471740		Thermistor probe, complete millivolt models ¹	1	29.68	33.24
	470180		Thermistor probe, IID models ¹	1	36.71	41.12
	074202		Indicator board LED lightstrip ^{1,6}	1	50.36	56.40
	070273		Potentiometer, TSTAT IID ^{1,6}	2	45.88	51.39
	073727		Orifice main burner, natural ^{1,5}	1	6.08	6.81
	073728		Orifice main burner, propane ^{1,5}	1	6.08	6.81
	471293		Pilot rainshield ¹	1	23.19	25.97
	471328		Pilot electrode (only) ¹	1	75.29	84.32
	470181		Stem, thermostat control, IID models ¹	2	4.89	5.48
	070715		Clips for transformer ¹	1	1.24	1.39
	074540		"L" brackets ¹	3	4.55	5.10
	471271		Bracket adapter Q379 pilot, MV ¹	1	15.75	17.64
	072253		Jumper	1	4.89	5.48
	471612		Door latch	1	8.80	9.86
	070264		Front Insulation	1	78.18	87.56
	070265		Back Insulation	1	88.47	99.09
	070270		Side Insulation	1	36.21	40.56

¹ Part No. used in Model Nos., 150, 200, 250, 300, 350, 400.

² Part No. used in Model Nos., 150, 200.

³ Part No. used in Model Nos., 250, 300.

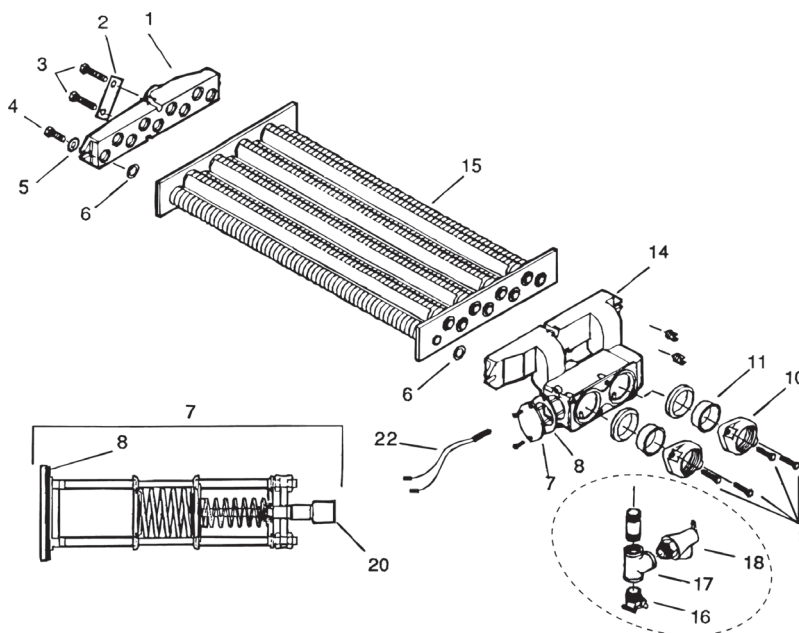
⁴ Part No. used in Model Nos., 350, 400.

⁵ Qty. = Model, N or P 150 (3 ea.), 200 (4 ea.), 250 (5 ea.), 300 (6 ea.), 350 (7 ea.), 400 (8 ea.).

⁶ Previously Manufactured Model.

Heat Exchanger

Replacement Parts for MiniMax Models '91 to 01-97



Item	Part No.	Description	US List	Can. List
HEAT EXCHANGER				
1	070994	Return header	192.32	215.40
2	072180	Bracket washer, 2 req.	1.24	1.39
3	073739	Bolt, 3/8, 16 x 2 in. plt., 4 req.	1.24	1.39
4	070416	Bolt, hh. 3/8-16 x 1-1/2 in. SS, 4 req.	1.24	1.39
5	072180	Washer, 3/8 in. i.d., 1 in. o.d., 4 req.	1.24	1.39
6	070951	Tube seal gasket, 18 req.	1.24	1.39
7	471424	Flow valve assembly	122.91	137.66
8	074015	Gasket flow valve	4.89	5.48
9	075492	Bolt, 3/8-16 x 2-1/2 in. plt., 4 req.	1.24	1.39
10	075284	Quick flange kit ¹	103.19	115.57
10	075283	Flange only	35.39	39.64
11	070544	Bushing in/out, 2 in. Lexan, 2 req.	4.89	5.48
12	071895	Sleeve rubber, in/out, 2 in., 2 req.	9.22	10.33
13	071017	Hi-limit 135/120, 2 req.	36.68	41.08
14	070985	Main header in/out	564.82	632.60
15	074452	Assembly, w/o heads 150, 17 lbs.	660.97	740.29
15	075628	Assembly, w/o heads 200, 20 lbs.	726.75	813.96
15	074451	Assembly, w/o heads 250, 22 lbs.	888.52	995.14

Item	Part No.	Description	US List	Can. List
15	075629	Assembly, w/o heads 300, 25 lbs.	896.87	1004.49
15	075630	Assembly, w/o heads 350, 28 lbs.	982.48	1100.38
15	074074	Assembly, w/o heads 400, 30 lbs.	1082.33	1212.21
15	470364	Assembly, w/heads 150	1878.95	2104.42
15	470365	Assembly, w/heads 200	1967.21	2203.28
15	470366	Assembly, w/heads 250	2045.23	2290.66
15	470367	Assembly, w/heads 300	2144.25	2401.56
15	470368	Assembly, w/heads 350	2105.09	2357.70
15	470369	Assembly, w/heads 400	2307.31	2584.19
16	072134	Valve boiler drain 3/4 in.	26.26	29.41
18	072138	Valve relief, 3/4 in. 50#, ASME or local code	65.66	73.54
20	470178	Power element	48.03	53.79
22	070274	Sensor bulb	39.73	44.50
NOT SHOWN				
	075285	Assembly bag quick flange ASME heaters	267.60	299.71

¹ Includes quick flange unit, (4) bolts, (4) washers, (2) 2 in. bushings, (2) 1-1/2 in. bushings, (2) sleeves.

Air Pressure Switches

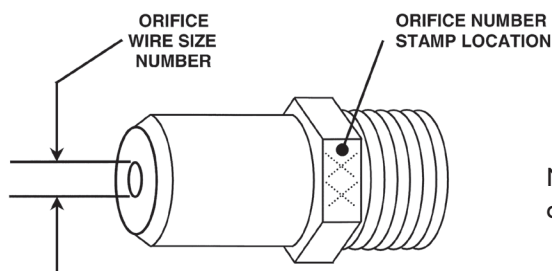


Part No.	Model	Fuel	Size	Elevation	Air Pressure Switch		
					Part No.	Color	Setting
AIR PRESSURE SWITCH							
460534	NT STD	Nat	200	0-2999	472178	White	0.40
460563	NT STD	Nat	200	3000-9999	472325	Blue	0.35
460427	NT STD	Nat	200	6000-9999	472325	Blue	0.35
460533	NT STD	Nat	250	0-2999	472181	Orange	0.75
460557	NT STD	Nat	250	3000-9999	472180	Green	0.65
460428	NT STD	Nat	250	6000-9999	472326	White	0.55
460532	NT STD	Nat	300	0-2999	472327	Gray	0.80
460551	NT STD	Nat	300	3000-9999	472180	Green	0.65
460429	NT STD	Nat	300	6000-9999	472326	White	0.55
460531	NT STD	Nat	400	0-2999	472183	Violet	1.35
460545	NT STD	Nat	400	3000-9999	472328	Pink	1.05
460430	NT STD	Nat	400	6000-9999	472328	Pink	1.05
460561	NT STD ASME	Nat	200	0-2999	472178	White	0.40
460565	NT STD ASME	Nat	200	3000-9999	472325	Blue	0.35
460447	NT STD ASME	Nat	200	6000-9999	472325	Blue	0.35
460555	NT STD ASME	Nat	250	0-2999	472181	Orange	0.75
460559	NT STD ASME	Nat	250	3000-9999	472180	Green	0.65
460448	NT STD ASME	Nat	250	6000-9999	472326	White	0.55
460549	NT STD ASME	Nat	300	0-2999	472327	Gray	0.80
460553	NT STD ASME	Nat	300	3000-9999	472180	Green	0.65
460449	NT STD ASME	Nat	300	6000-9999	472326	White	0.55
460543	NT STD ASME	Nat	400	0-2999	472183	Violet	1.35
460547	NT STD ASME	Nat	400	3000-9999	472328	Pink	1.05
460450	NT STD ASME	Nat	400	6000-9999	472328	Pink	1.05
460538	NT STD	LP	200	0-2999	472178	White	0.40
460564	NT STD	LP	200	3000-9999	472325	Blue	0.35
460439	NT STD	LP	200	6000-9999	472325	Blue	0.35
460537	NT STD	LP	250	0-2999	472181	Orange	0.75
460558	NT STD	LP	250	3000-9999	472180	Green	0.65
460440	NT STD	LP	250	6000-9999	472326	White	0.55
460536	NT STD	LP	300	0-2999	472327	Gray	0.80
460552	NT STD	LP	300	3000-9999	472180	Green	0.65
460441	NT STD	LP	300	6000-9999	472326	White	0.55
460535	NT STD	LP	400	0-2999	472183	Violet	1.35
460546	NT STD	LP	400	3000-9999	472328	Pink	1.05
460442	NT STD	LP	400	6000-9999	472328	Pink	1.05
460562	NT STD ASME	LP	200	0-2999	472178	White	0.40
460566	NT STD ASME	LP	200	3000-9999	472325	Blue	0.35
460443	NT STD ASME	LP	200	6000-9999	472325	Blue	0.35
460556	NT STD ASME	LP	250	0-2999	472181	Orange	0.75
460560	NT STD ASME	LP	250	3000-9999	472180	Green	0.65
460444	NT STD ASME	LP	250	6000-9999	472326	White	0.55
460550	NT STD ASME	LP	300	0-2999	472327	Gray	0.80
460554	NT STD ASME	LP	300	3000-9999	472180	Green	0.65
460445	NT STD ASME	LP	300	6000-9999	472326	White	0.55
460544	NT STD ASME	LP	400	0-2999	472183	Violet	1.35
460548	NT STD ASME	LP	400	3000-9999	472328	Pink	1.05
460446	NT STD ASME	LP	400	6000-9999	472328	Pink	1.05
460540	NT Lonox	Nat	200	0-2999	472178	Red	0.22
460568	NT Lonox	Nat	200	3000-9999	472324	L. Blue	0.18
460431	NT Lonox	Nat	200	6000-9999	472324	L. Blue	0.18
460576	NT Lonox	Nat	250	0-2999	472180	Green	0.65

Part No.	Model	Fuel	Size	Elevation	Air Pressure Switch		
					Part No.	Color	Setting
460569	NT Lonox	Nat	250	3000-9999	472326	White	0.55
460432	NT Lonox	Nat	250	6000-9999	472326	White	0.55
460539	NT Lonox	Nat	300	0-2999	472181	Orange	0.75
460570	NT Lonox	Nat	300	3000-9999	472180	Green	0.65
460433	NT Lonox	Nat	300	6000-9999	472326	White	0.55
460577	NT Lonox	Nat	400	0-2999	472182	Yellow	0.95
460571	NT Lonox	Nat	400	3000-9999	472327	Gray	0.80
460434	NT Lonox	Nat	400	6000-9999	472181	Orange	0.75
460541	NT Lonox ASME	Nat	200	0-2999	472178	Red	0.22
460572	NT Lonox ASME	Nat	200	3000-9999	472324	L. Blue	0.18
460451	NT Lonox ASME	Nat	200	6000-9999	472324	L. Blue	0.18
460510	NT Lonox ASME	Nat	250	0-2999	472180	Green	0.65
460573	NT Lonox ASME	Nat	250	3000-9999	472326	White	0.55
460452	NT Lonox ASME	Nat	250	6000-9999	472326	White	0.55
460542	NT Lonox ASME	Nat	300	0-2999	472181	Orange	0.75
460574	NT Lonox ASME	Nat	300	3000-9999	472180	Green	0.65
460465	NT Lonox ASME	Nat	300	6000-9999	472326	White	0.55
460511	NT Lonox ASME	Nat	400	0-2999	472182	Yellow	0.95
460575	NT Lonox ASME	Nat	400	3000-9999	472327	Gray	0.80
460466	NT Lonox ASME	Nat	400	6000-9999	472181	Orange	0.75
460720	NT TSI	Nat	200	0-2999	472178	Red	0.22
460724	NT TSI	Nat	200	3000-9999	472178	Red	0.22
460435	NT TSI	Nat	200	6000-9999	472324	L. Blue	0.18
460721	NT TSI	Nat	250	0-2999	472179	Brown	0.45
460725	NT TSI	Nat	250	3000-9999	472179	Brown	0.45
460436	NT TSI	Nat	250	6000-9999	472325	Blue	0.35
460722	NT TSI	Nat	300	0-2999	472182	Yellow	0.95
460726	NT TSI	Nat	300	3000-9999	472327	Gray	0.80
460437	NT TSI	Nat	300	6000-9999	472181	Orange	0.75
460723	NT TSI	Nat	400	0-2999	472182	Yellow	0.95
460727	NT TSI	Nat	400	3000-9999	472327	Gray	0.80
460438	NT TSI	Nat	400	6000-9999	472181	Orange	0.75
460412	NT TSI ASME	Nat	200	0-2999	472178	Red	0.22
460416	NT TSI ASME	Nat	200	3000-9999	472178	Red	0.22
460467	NT TSI ASME	Nat	200	6000-9999	472324	L. Blue	0.18
460413	NT TSI ASME	Nat	250	0-2999	472179	Brown	0.45
460417	NT TSI ASME	Nat	250	3000-9999	472179	Brown	0.45
460468	NT TSI ASME	Nat	250	6000-9999	472325	Blue	0.35
460414	NT TSI ASME	Nat	300	0-2999	472182	Yellow	0.95
460418	NT TSI ASME	Nat	300	3000-9999	472327	Gray	0.80
460469	NT TSI ASME	Nat	300	6000-9999	472181	Orange	0.75
460415	NT TSI ASME	Nat	400	0-2999	472182	Yellow	0.95
460419	NT TSI ASME	Nat	400	3000-9999	472327	Gray	0.80
460470	NT TSI ASME	Nat	400	6000-9999	472181	Orange	0.75

Burner Orifice Chart

For MiniMax Heaters



Note: Some Models may have a different configuration of the orifice.

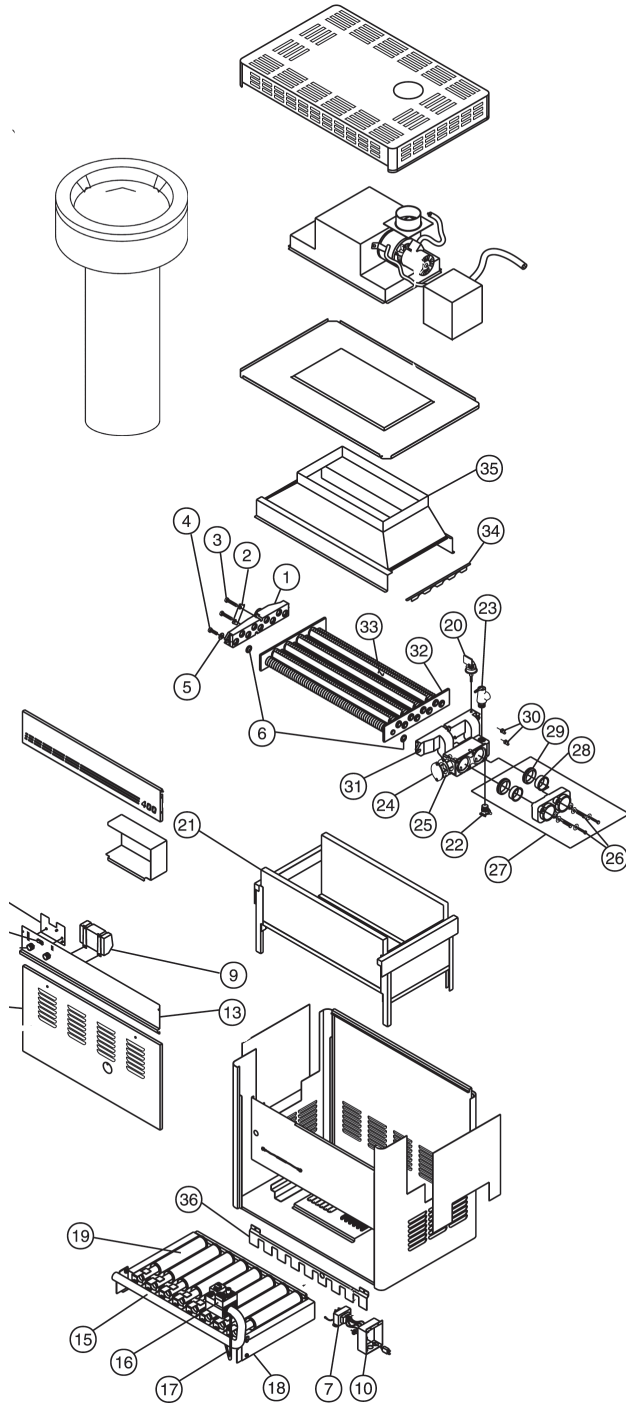
MiniMax Model Used on	Gas Type	Specified Altitude	Part No.	Orifice No.	Orifice Dia.	Color
NATURAL GAS HEATER ORIFICE CHART						
NT STD	NA	0–2999 ft.	073727	30	.1285	Green
NT STD	NA	3000–5999 ft.	472569	1/8	.1250	No Color
NT STD	NA	6000–9999 ft.	071466	31	.1200	No Color
NT STD	NA	10,000 (+) ft.	071467	32	.1160	No Color
NT LN	NA	0–2999 ft.	471984	1/8	.1250	No Color
NT LN	NA	3000–5999 ft.	471985	31	.1200	No Color
NT LN	NA	6000–9999 ft.	471985	31	.1200	No Color
NT LN	NA	10,000 (+) ft.	471986	32	.1160	No Color
NT TSI	NA	0–2999 ft.	472434	23	.1540	No Color
NT TSI	NA	3000–5999 ft.	472496	25	.1495	No Color
NT TSI	NA	6000–9999 ft.	472263	26	.1470	No Color
NT TSI	NA	10,000 (+) ft.	472264	27	.1440	No Color
CH	NA	0–2999 ft.	073727	30	.1285	Green
CH	NA	3000–5999 ft.	472569	1/8	.1250	No Color
CH	NA	6000–9999 ft.	071466	31	.1200	No Color
CH	NA	10,000 (+) ft.	071467	32	.1160	No Color
Commercial	NA	0–2999 ft.	470656	20	.1610	No Color
Commercial	NA	3000–5999 ft.	471975	23	.1540	No Color
Commercial	NA	6000–9999 ft.	470777	24	.1520	No Color
Commercial	NA	10,000 (+) ft.	471974	26	.1470	No Color
PROPANE GAS HEATER ORIFICE CHART						
NT STD	LP	0–2999 ft.	073728	45	.0820	Red
NT STD	LP	3000–5999 ft.	071461	47	.0785	No Color
NT STD	LP	6000–9999 ft.	071462	48	.0760	No Color
NT STD	LP	10,000 (+) ft.	471973	49	.0730	No Color
CH	LP	0–2999 ft.	073728	45	.0820	Red
CH	LP	3000–5999 ft.	071461	47	.0785	No Color
CH	LP	6000–9999 ft.	071462	48	.0760	No Color
CH	LP	10,000 (+) ft.	471973	49	.0730	No Color

PowerMax® Heater

Replacement Parts



OPTIONAL OUTDOOR VENT	
471395	Models 150, 200
471396	Models 250, 400



Item	Part No.	Mod.	Description	Qty.	US List	Can. List
------	----------	------	-------------	------	---------	-----------

POWERMAX™ HEATER						
1	070994		Return header ¹	1	192.32	215.40
2	074216		Bracket washer ¹	2	4.92	5.51
3	073739		Bolt, hh. 3/8 in. x 2 in. ¹	4	1.24	1.39
4	070416		Bolt, 3/8, 16 x 1-1/2 in. ¹	4	1.24	1.39
5	072180		Washer 3/8 in. i.d., 1 in. o.d. ¹	4	1.24	1.39
6	070951		Tube seal gasket ¹	18	1.24	1.39
7	471360		Transformer w/circuit breaker, dual voltage ¹	1	59.16	66.26
8	470179		Electronic thermostat circuit board, IID models ¹	1	194.89	218.28
9	073584		Module natural gas ¹	1	264.55	296.30
9	073585		Module propane gas ¹	1	273.23	306.02
10	470122		Junction box, IID units ¹	1	30.23	33.86
11	470184		Thermostat knob ¹	2	10.25	11.48
12	470186		Switch rocker, snl. pole & dbl. throw ¹	1	10.05	11.26

CONTROL PANEL ASSEMBLY, COMPLETE

14	075468	150	Door, IID	1	91.98	103.02
14	075604	200	Door, IID	1	133.32	149.32
14	075488	250	Door, IID	1	98.40	110.21
14	075606	350	Door, IID	1	172.23	192.90
14	075490	400	Door, IID	1	180.09	201.70
15	070256	150	Manifold burner	1	48.83	54.69
15	075525	200	Manifold burner	1	51.96	58.20
15	070257	250	Manifold burner	1	54.82	61.40
15	075526	300	Manifold burner	1	58.30	65.30
15	075527	350	Manifold burner	1	58.50	65.52
15	070258	400	Manifold burner	1	64.79	72.56
16	073998		Gas valve natural, IID ¹	1	299.14	335.04
16	073999		Gas valve propane, IID ¹	1	299.14	335.04
17	075191		Pilot tube, IID ²	1	57.14	64.00
17	075192		Pilot tube, IID ³	1	57.14	64.00
17	075193		Pilot tube, IID ⁴	1	57.14	64.00

BURNER TRAY ASSEMBLY, COMPLETE

18	073752	150	Natural, IID	1	883.15	989.13
18	075499	200	Natural, IID	1	1072.37	1201.05
18	073751	250	Natural, IID	1	1154.14	1292.64
18	075500	300	Natural, IID	1	1429.24	1600.75
18	075501	350	Natural, IID	1	1433.30	1605.30
18	073750	400	Natural, IID	1	1696.25	1899.80

PowerMax® Heater (Cont'd)

Replacement Parts

Item	Part No.	Mod.	Description	Qty.	US List	Can. List
BURNER TRAY ASSEMBLY, COMPLETE						
18	073906	150	Propane, IID	1	909.74	1018.91
18	075508	200	Propane, IID	1	1129.70	1265.26
18	073905	250	Propane, IID	1	1154.14	1292.64
18	075509	300	Propane, IID	1	CALL	CALL
18	075510	350	Propane, IID	1	1438.71	1611.36
18	073904	400	Propane, IID	1	1696.25	1899.80
19	070230		Burner ¹	8	103.69	116.13
19a	470550		Burner w/pilot bracket ¹	1	103.82	116.28
20	470190		Pressure switch ¹	1	97.57	109.28
COMBUSTION CHAMBER ASSEMBLY, COMPLETE						
21	073858	150	Assembly	1	400.02	448.02
21	075586	200	Assembly	1	428.02	479.38
21	073857	250	Assembly	1	466.58	522.57
21	075587	300	Assembly	1	488.53	547.15
21	075588	350	Assembly	1	477.72	535.05
21	073856	400	Assembly	1	536.74	601.15
22	072134		Valve drain 3/4 in. ¹	1	26.26	29.41
23	072138		Valve relief 3/4 in. 50# ^{1,7}	1	65.66	73.54
24	471424		Flow valve assembly standard, complete ¹	1	122.91	137.66
24	073989		Flow valve assembly ASME, complete ¹	1	194.23	217.54
25	074015		Flow valve gasket ¹	4	4.89	5.48
26	075492		Bolt 3/8, 16 x 2-1/2 ¹	2	1.24	1.39
27	075284		Quick flange kit ¹	1	103.19	115.57
28	070544		Bushing in/out Lexan ¹	2	4.89	5.48
29	071895		Sleeve, rubber in/out 2 in. ¹	2	9.22	10.33
30	071017		Safety shut-off ¹	2	36.68	41.08
31	070985		Main header, in/out ¹	1	564.82	632.60
HEAT EXCHANGER, WITH HEADS						
32	470364	150	Heat exchanger	1	1878.95	2104.42
32	470365	200	Heat exchanger	1	1967.21	2203.28
32	470366	250	Heat exchanger	1	2045.23	2290.66
32	470367	300	Heat exchanger	1	2144.25	2401.56
32	470368	350	Heat exchanger	1	2105.09	2357.70
32	470369	400	Heat exchanger	1	2307.31	2584.19
HEAT EXCHANGER, WITHOUT HEADS						
32	074452	150	Heat exchanger	1	660.97	740.29
32	075628	200	Heat exchanger	1	726.75	813.96
32	074451	250	Heat exchanger	1	888.52	995.14
32	075629	300	Heat exchanger	1	896.87	1004.49
32	075630	350	Heat exchanger	1	982.48	1100.38
32	074074	400	Heat exchanger	1	1082.33	1212.21

Item	Part No.	Mod.	Description	Qty.	US List	Can. List
33	070277	150	Baffle	8	5.21	5.84
33	075559	200	Baffle	8	4.89	5.48
33	070276	250	Baffle	8	5.21	5.84
33	075560	300	Baffle	8	4.89	5.48
33	070277	350	Baffle	16	5.21	5.84
33	070278	400	Baffle	16	5.58	6.25
34	472329		Baffle hld. down, 2 baffles on 400, 350	1	8.08	9.05
35	073864	150	Flue collector	1	152.59	170.90
35	075622	200	Flue collector	1	170.78	191.27
35	073863	250	Flue collector	1	170.78	191.27
35	075623	300	Flue collector	1	CALL	CALL
35	075624	350	Flue collector	1	162.64	182.16
35	073862	400	Flue collector	1	170.78	191.27
LIGHTBACK SHIELD (NATURAL GAS UNITS ONLY)						
36	075783	150	Lightback shield	2	CALL	CALL
36	075784	200	Lightback shield	2	CALL	CALL
36	075785	250	Lightback shield	2	24.68	27.64
36	075786	300	Lightback shield	2	CALL	CALL
36	075787	350	Lightback shield	2	27.62	30.93
36	075788	400	Lightback shield	2	31.29	35.04
NOT SHOWN						
	070715		Plastic mounting bracket ¹		1.24	1.39
	470965		Wire kit, harness IID, complete ¹		97.48	109.18
	071703		Screw, 8 x 1/4 in. hh. ¹		CALL	CALL
	071698		Screw, 8 x 1/2 in. hh. ¹		1.24	1.39
	071716		Screw, 6 x 1/4 in. ¹		1.24	1.39
	071659		Screw, 10-32 x 1/4 in. ¹		CALL	CALL
	075692		Screw, 10-32 x 3/16 ¹		CALL	CALL
	070551		Bushing, 1/2 in. ¹		CALL	CALL
	470414		Therm. knob stopper ¹	2	6.70	7.50
	470178		Power element, flow-valve ¹	1	48.03	53.79
	073725		Bolt 5/16, 18 x 3/4 in. ¹	2	1.24	1.39
	073727		Orifice main burner natural ^{1,6}		6.08	6.81
	073728		Orifice main burner propane ^{1,6}		6.08	6.81
	471204		Pilot, natural, IID ¹	1	94.88	106.27
	471205		Pilot, propane, IID ¹	1	94.88	106.27
	075173		Thermal cut-off ¹	1	18.35	20.55
	470180		Thermistor, probe, complete, IID Models ¹	1	36.71	41.12
	470181		Stem, thermostat control, IID models	2	4.89	5.48

¹ Part No. used in Model Nos., 150, 200, 250, 300, 350, 400.

² Part No. used in Model Nos., 150, 200.

³ Part No. used in Model Nos., 250, 300.

⁴ Part No. used in Model Nos., 350, 400.

⁵ Part No. used in Model Nos., 150, 250, 300, 350, 400.

⁶ Qty. = Model N or P 150 (3 ea.), 200 (4 ea.), 250 (5 ea.), 300 (6 ea.), 350 (7 ea.), 400 (8 ea.).

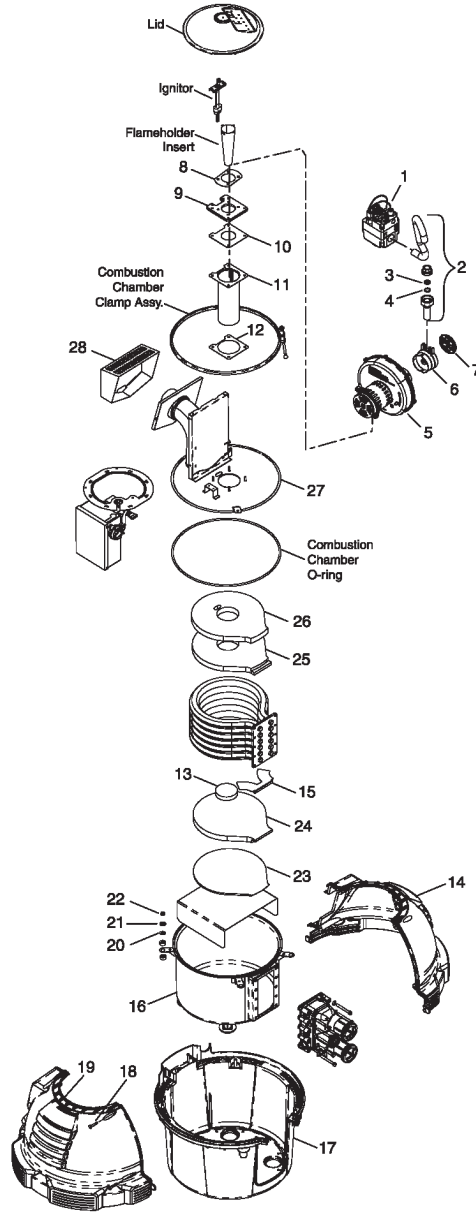
⁷ ASME or Local Code.

⁸ Qty. = Model 150 (2 ea.), 200 (3 ea.), 250 (4 ea.), 300 (5 ea.), 350 (6 ea.), 400 (7 ea.).

⁹ Previously Manufactured Model.

Max-E-Therm® Heater

Burner System Replacement Parts



Max-E-Therm® Heater (Cont'd)

Burner System Replacement Parts



Item	Part No.	Description	US List	Can. List
MAX-E-THERM BURNER SYSTEM				
1	42001-0051S	Combination Gas Control Valve Kit	348.16	389.94
2	38404-4097S	3/4 in. Union	28.57	32.00
5	77707-0251	Air Blower Kit, Natural - 200NA Model (Single Volt Blower Adapter Included)	658.31	737.31
5	77707-0252	Air Blower Kit, Natural - 333NA Model (Single Volt Blower Adapter Included)	658.31	737.31
5	77707-0253	Air Blower Kit, Natural - 400NA Model (Single Volt Blower Adapter Included)	658.31	737.31
5	77707-0254	Air Blower Kit, Propane - 200LP Model (Single Volt Blower Adapter Included)	658.31	737.31
5	77707-0255	Air Blower Kit, Propane - 333LP Model (Single Volt Blower Adapter Included)	658.31	737.31
5	77707-0256	Air Blower Kit, Propane - 400LP Model (Single Volt Blower Adapter Included)	658.31	737.31
14	77707-0002	Enclosure Kit, Upper Right-Hand	173.23	194.02
16	42001-0200S	One Piece Metal Chamber/Combustion Chamber Assembly	350.84	392.94
16	474095	One Piece Metal Chamber/Combustion Chamber Assembly ²	542.82	607.96
17	42001-0001S	Lower Enclosure	422.10	472.75
19	77707-3200N	Enclosure Kit, Upper Left-Hand - Natural (200)	180.53	202.19
19	77707-3333N	Enclosure Kit, Upper Left-Hand - Natural (333)	180.53	202.19
19	77707-3400N	Enclosure Kit, Upper Left-Hand - Natural (400)	180.53	202.19
19	77707-3200L	Enclosure Kit, Upper Left-Hand - Propane (200)	180.53	202.19
19	77707-3333L	Enclosure Kit, Upper Left-Hand - Propane (333)	180.53	202.19
19	77707-3400L	Enclosure Kit, Upper Left-Hand - Propane (400)	CALL	CALL
27	42001-0214S	One Piece Metal Elbow/Combustion Chamber Cover Assembly	431.93	483.76
27	474094	One Piece Metal Elbow/Combustion Chamber Cover Assembly ²	614.24	687.95
27	474201	Tub O-Ring Kit ²	39.71	44.48
28	42002-0005S	Metal Vent Cover	104.80	117.38
29	42001-0074S	Kit Lower Enclosure Insulation	43.91	49.18
NOT SHOWN				
	77707-0431	Gas Orifice Kit - Natural - 200 Model (Incl. 3 & 4) ¹	43.59	48.82
	77707-0421	Gas Orifice Kit - Natural - 333 Model (Incl. 3 & 4) ¹	43.59	48.82

Item	Part No.	Description	US List	Can. List
	77707-0411	Gas Orifice Kit - Natural - 400 Model (Incl. 3 & 4) ¹	43.59	48.82
	77707-0461	Gas Orifice Kit - Propane - 200 Model (Incl. 3 & 4) ¹	43.59	48.82
	77707-0451	Gas Orifice Kit - Propane - 333 Model (Incl. 3 & 4) ¹	43.59	48.82
	77707-0441	Gas Orifice Kit - Propane - 400 Model (Incl. 3 & 4) ¹	43.59	48.82
	77707-1461	NG to Propane Conversion Kit - 200 Model (Incl. 3 & 4) ¹	45.07	50.48
	77707-1451	NG to Propane Conversion Kit - 333 Model (Incl. 3 & 4) ¹	45.07	50.48
	77707-1441	NG to Propane Conversion Kit - 400 Model (Incl. 3 & 4) ¹	45.07	50.48
	77707-1431	Propane to NG Conversion Kit - 200 Model (Incl. 3 & 4) ¹	45.07	50.48
	77707-1421	Propane to NG Conversion Kit - 333 Model (Incl. 3 & 4) ¹	45.07	50.48
	77707-1411	Propane to NG Conversion Kit - 400 Model (Incl. 3 & 4) ¹	45.07	50.48
	77707-0111	Air Orifice Kit - (Incl. 6 & 7, 200 Model Only)	52.42	58.71
	77707-0112	Air Orifice Kit - (Incl. 6 & 7, 333 Model Only)	52.42	58.71
	77707-0113	Air Orifice Kit - (Incl. 6 & 7, 400 Model Only)	52.42	58.71
	77707-0011	Blower/Adapter Plate Gasket Kit - (Incl. 8, 9, 10, & 12)	51.65	57.85
	77707-0202	Flameholder Kit - 200 Model (Incl. 10, 11, 12 & 13)	122.68	137.40
	77707-0203	Flameholder Kit - 333 Model (Incl. 10, 11, 12, 13, & Flameholder Insert)	138.02	154.58
	77707-0204	Flameholder Kit - 400 Model (Incl. 10, 11, 12, 13, & Flameholder Insert)	161.03	180.35
	42001-0074S	Lower Enclosure Insulation	43.91	49.18
	77707-0008	Insulation Kit (Incl. 13, 15, 23, 24, 25, 26)	194.41	217.74
	77707-0112	Air Orifice Kit 333 Model	52.42	58.71
	77707-0113	Air Orifice Kit 400 Model	52.42	58.71

¹ Not included with heater. Order separately.

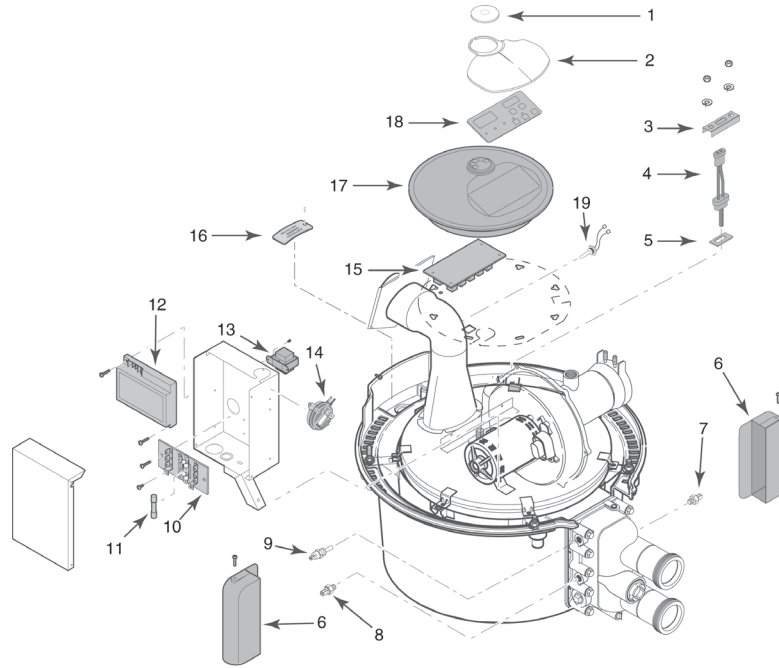
² For Heaters Manufactured after 1/12/09 (New Tub Design).

Note: Kits include Clamp assembly, O-ring and silicone tube.



Max-E-Therm® Heater

Electrical System Replacement Parts

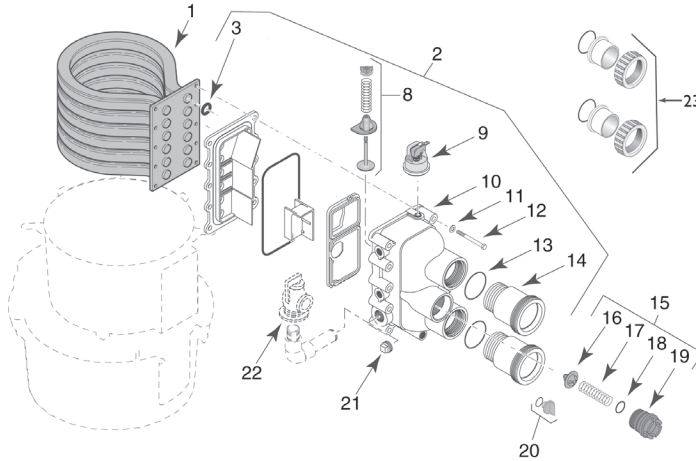


Item	Part No.	Description	Qty.	US List	Can. List
MAX-E-THERM ELECTRICAL SYSTEM					
1	77707-0009	Display Cover Retainer Cap Kit, Cap and CPSC Warning Label	1	57.14	64.00
2	42001-0008S	Heater Display Cover	1	32.11	35.96
3	42001-0030S	Igniter Bracket	1	42.86	48.00
4	77707-0054	Igniter/Igniter Gasket Kit (Incl. Key Nos. 4 and 5)	1	66.41	74.38
5	42001-0066S	Igniter Gasket	1	42.86	48.00
6	42001-0007S	Manifold Switch Cover	2	42.86	48.00
7	42002-0025S	Automatic Gas Shutoff Switch (AGS)	1	40.83	45.73
8	42001-0063S	High Limit Switch	1	49.66	55.62
9	42001-0053S	Thermistor	1	63.42	71.03
10	42001-0056S	Terminal Board	1	42.86	48.00
11	32850-0099	Fireman's Switch Fuse (1.25A, 1-1/4 in.)	1	6.64	7.44
12	42001-0052S	Ignition Control Module	1	266.25	298.20
13	42001-0107S	Transformer, 115/230V	1	54.16	60.66
13	42001-0057S	Transformer 120/240V, Dual and Single Adapter	1	51.14	57.28
14	42001-0061S	Air Flow Switch	1	109.80	122.98

Item	Part No.	Description	Qty.	US List	Can. List
15	42001-0096S	Control Board Kit (HD Series)	1	CALL	CALL
15	42002-0007S	Control Board Kit (NA, LP Series)	1	531.57	595.36
16	77707-0022	Junction Box Cover Kit	1	42.86	48.00
18	42002-0029Z	Switch Membrane Replacement	1	121.82	136.44
19	42002-0024S	Stack Flue Sensor	1	95.42	106.87
19b	42002-0009	Stack Flue Switch	1	76.08	85.21
NOT SHOWN					
	42001-0104S	Heater Wiring Harness - 115/230V	1	275.74	308.83
	42001-0105S	120/240 Volt Plug Kit	1	42.86	48.00
	77707-0004	Control Board Enclosure/Membrane Panel Kit, HD Series (Incl. 17, 18)	1	231.77	259.58
	77707-0013	Control Board Enclosure/Membrane Panel Kit, NA, LP Series (Incl. 17, 18)	1	449.18	503.08
	42002-0029Z	Stack Flue Service Kit	1	121.82	136.44
	42002-0009	Temp Probe	1	76.08	85.21
	42001-0057S	Transformer 120/240 (Dual and Single Adapter)	1	51.14	57.28
	42001-0247	Blower Adapter Dual/Single Volt	1	31.01	34.73

Max-E-Therm® Heater

Water System Replacement Parts



Item	Part No.	Description	US List	Can. List
MAX-E-THERM WATER SYSTEM				
I	77707-0232	Tube Sheet Coil Assembly Kit (NA, LP Series) (Incl. No. 3) - 200 Models	CALL	CALL
I	474058	Tube Sheet Coil Assembly Kit (NA, LP Series) (Incl. No. 3) - 200 Models ¹	CALL	CALL
I	77707-0233	Tube Sheet Coil Assembly Kit (NA, LP Series) (Incl. No. 3) - 333 Models	CALL	CALL
I	474060	Tube Sheet Coil Assembly Kit (NA, LP Series) (Incl. No. 3) - 333 Models ¹	CALL	CALL
I	77707-0234	Tube Sheet Coil Assembly Kit (NA, LP Series) (Incl. No. 3) - 400 Models	CALL	CALL
I	474061	Tube Sheet Coil Assembly Kit (NA, LP Series) (Incl. No. 3) - 400 Models ¹	CALL	CALL
I	77707-0242	Tube Sheet Coil Assembly Kit (HD Series) (Incl. No. 3) - 200 Models	CALL	CALL
I	474062	Tube Sheet Coil Assembly Kit (HD Series) (Incl. No. 3) - 200 Models ¹	CALL	CALL
I	77707-0243	Tube Sheet Coil Assembly Kit (HD Series) (Incl. No. 3) - 333 Models	CALL	CALL
I	474064	Tube Sheet Coil Assembly Kit (HD Series) (Incl. No. 3) - 333 Models ¹	CALL	CALL
I	77707-0244	Tube Sheet Coil Assembly Kit (HD Series) (Incl. No. 3) - 400 Models	CALL	CALL
I	474065	Tube Sheet Coil Assembly Kit (HD Series) (Incl. No. 3) - 400 Models ¹	CALL	CALL
2	77707-0014	Manifold Kit (Incl. Nos. 3-14, 20-21, and 7-9 in "Electrical System" (Page 300) - 200 Models	510.32	571.56
2	77707-0015	Manifold Kit (Incl. Nos. 3-14, 20-21, and 7-9 in "Electrical System" (Page 300) - 333 Models	510.32	571.56
2	77707-0016	Manifold Kit (Incl. Nos. 3-14, 20-21, and 7-9 in "Electrical System" (Page 300) - 400 Models	510.32	571.56
2	474200	Basic Manifold Kit (Incl. Nos. 3, 10-14)	167.33	187.41
3	77707-0117	Coil/Tubesheet Sealing O-Ring Kit - 200 Model	42.86	48.00
3	77707-0118	Coil/Tubesheet Sealing O-Ring Kit - 333 Model	42.86	48.00

Item	Part No.	Description	US List	Can. List
3	77707-0119	Coil/Tubesheet Sealing O-Ring Kit - 400 Model	42.86	48.00
7	77707-0017	Connector Tube Kit (Includes 1 Connector Tube and 1 O-Ring)	43.55	48.78
8	77707-0001	Manifold Bypass Valve Package	45.40	50.85
9	473716Z	Water Pressure Switch (ASME)	243.15	272.33
15	77707-0010	Thermal Regulator Kit (Incl. Key 16-19 and Spring Clip)	82.95	92.90
16	38000-0007S	Thermal Regulator (Includes Spring Clip)*	57.14	64.00
18	35505-1313	Thermal Regulator Cap O-ring (O-ring only)	4.04	4.52
20	U178-920P	Drain Plug	2.64	2.96
21	U78-60ZPS	3/4 in. Pipe Plug	5.60	6.27
22	473715Z	Kit Pressure Relief Valve	125.23	140.26
23	PKG188	2 in. Union Adapter Package (includes 2)	CALL	CALL

NOT SHOWN				
	472648Z	Bypass Access Plug (ASME)	294.28	329.59
	77707-0120	O-Ring Kit (Incl. Nos. 3, 5)	36.49	40.87
	460940	6 Tube Pressure Vessel Kit (ASME) ²	2454.11	2748.60
	474096	6 Tube Pressure Vessel Kit (ASME) ³	2785.52	3119.78
	460923	Bypass Valve Kit	371.40	415.97
	460924	Thermal Regulator Kit (incl. spring clip & install tools) (ASME)	239.32	268.04
	460941	4 Tube Pressure Vessel Kit (ASME) ²	2199.85	2463.83
	474097	4 Tube Pressure Vessel Kit (ASME) ³	2499.83	2799.81

¹ For Heaters Manufactured after 1/12/09 (New Tub Design).

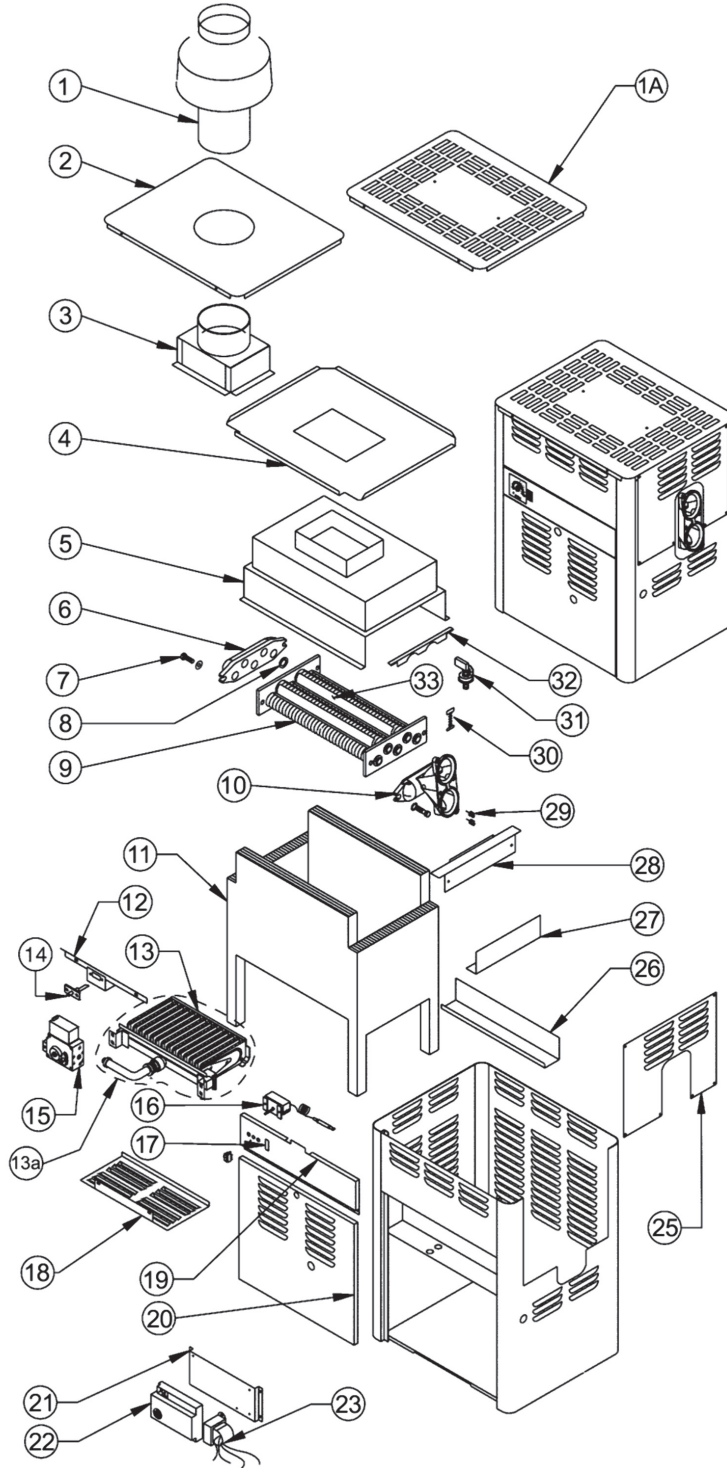
² For ASME Heaters Manufactured Prior to 3/24/09 (Old Tub Design).

³ For ASME Heaters Manufactured After to 3/24/09 (New Tub Design).

Note: Kits include Clamp assembly, O-ring and silicone tube.

MiniMax[®] 75 and 100 Heaters

Replacement Parts



MiniMax[®] 75 and 100 Heaters (Cont'd)

Replacement Parts



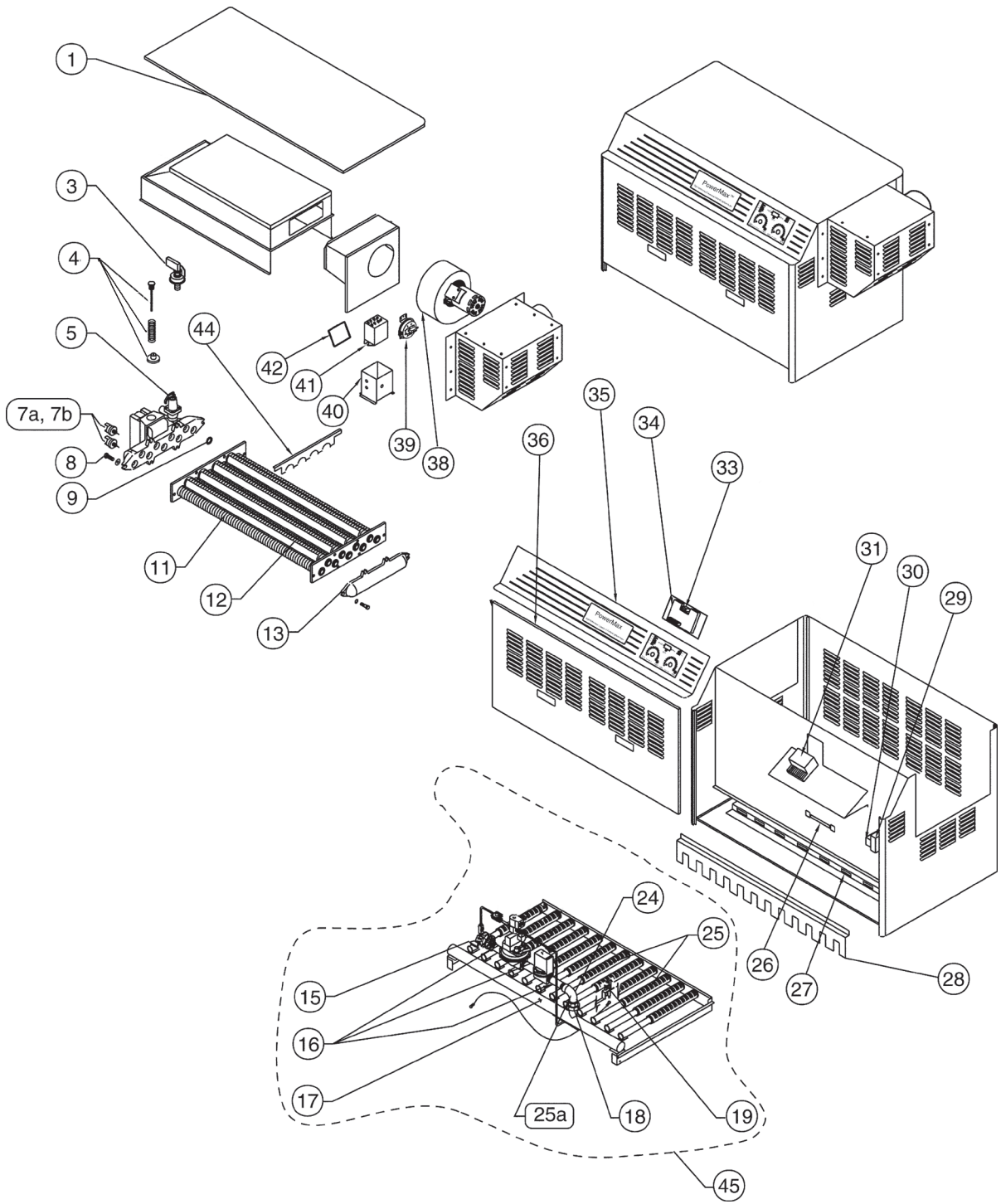
Item	Part No.	Description	Qty.	US List	Can. List
MINIMAX[®] 75 AND 100 HEATERS					
1	471187	Indoor draft hood kit ¹	1	256.01	286.73
1A	471213	Outdoor top	1	101.08	113.21
2	471075	Indoor top, cover ¹	1	66.64	74.64
3	471214	Indoor stack adapter ¹	1	CALL	CALL
4	471069	Middle top	1	49.12	55.01
5	471059	Flue collector	1	CALL	CALL
6	471096	Return header	1	56.47	63.25
7	471200	Bolt, 3/8 x 16 UNC x 3/4	4	1.24	1.39
8	070951	Rubber seal tube	10	1.24	1.39
9	471093	Heat exchanger less heads	1	378.28	423.67
10	471094	Main header, inlet/outlet	1	181.87	203.69
11	471061	Insulation, front	1	33.36	37.36
11	471062	Insulation, back	1	31.09	34.82
11	471063	Insulation, sides	1	23.70	26.54
12	471058	Ignitor electrode bracket	1	27.62	30.93
13	471122	Burner, natural gas	1	259.87	291.05
13	471136	Burner, propane gas	1	259.87	291.05
13	471850	Burner, 75, natural gas	1	CALL	CALL
13a	471219	Burner tray assembly, complete, natural gas, millivolt	1	757.96	848.92
13a	471236	Burner tray assembly, complete, propane, millivolt	1	757.96	848.92
13a	471076	Burner tray assembly, complete, natural gas, DSI	1	582.72	652.65
13a	471077	Burner tray assembly, complete, propane, DSI	1	582.72	652.65
14	471090	Ignitor electrode	1	39.57	44.32
15	471088	Gas valve, natural, DSI, w/bracket	1	221.27	247.82
15	471089	Gas valve, propane, DSI, w/bracket	1	221.27	247.82
15	471436	Gas valve-natural, millivolt,	1	270.01	302.41
15	471435	Gas valve, propane, millivolt,	1	270.01	302.41
16	471431	Electronic thermostat, direct spark models	1	122.91	137.66
16	072022	Thermostat, millivolt models	1	149.63	167.59
17	471128	On/off switch S.P.S.T.	1	6.03	6.75
18	471070	Heat shield burner tray	1	CALL	CALL
19	471078	Control panel assembly	1	212.00	237.44

¹ Indoor draft hood kit consisting of indoor draft hood (471198) and items 2 & 3.

Item	Part No.	Description	Qty.	US List	Can. List
20	471067	Door assembly	1	74.79	83.76
21	471159	Control bracket	1	CALL	CALL
22	471091	Ignition control DSI	1	211.79	237.20
23	471360	Transformer w/circuit MMX	1	59.16	66.26
25	471071	Inspection panel	1	16.79	18.80
26	471169	Burner tray back support	1	CALL	CALL
27	471166	Burner tray side support	2	10.50	11.76
28	471164	Heat exchanger support brackets	2	18.06	20.23
29	071017	Hi-limit safety switch	2	36.68	41.08
30	471095	Flow valve, assembly	1	79.17	88.67
31	471097	Pressure switch	1	35.88	40.19
32	471064	Baffle hold down bracket	1	8.16	9.14
33	471065	Flue baffle	4	4.89	5.48
NOT SHOWN					
	075173	Thermal cutoff, fusible link	1	18.35	20.55
	471292	Pilot natural gas, millivolt	1	52.84	59.18
	471291	Pilot propane, millivolt	1	52.84	59.18
	071515	Thermopile generator	1	85.58	95.85
	075284	Quick-flange kit for 2 in. slip connection	1	103.19	115.57
	471083	Quick-flange II kit for 1-1/2 in. thd. Connection	1	43.41	48.62
	471201	Kit wiring, MMX 100 millivolt	1	81.14	90.88
	471202	Kit wiring, MMX 100 DSI	1	95.43	106.88
	470184	Knob	1	10.25	11.48
	470414	Knob stopper	1	6.70	7.50
	075459	Presslite Piezo ignitor assembly, millivolt	1	16.21	18.16
	072136	Valve drain, 1/4 NPT	1	17.45	19.54
	471092	Hi-tension ignition cable	1	18.48	20.70
	070544	Rubber bushing, 2 in. i.d.	2	4.89	5.48
	471221	Pilot bracket/shield, millivolt		10.99	12.31
	471260	Manifold		18.31	20.51
	471138	Rod flow valve	1	12.87	14.41
	471139	Spring flow valve	1	6.28	7.03
	471140	Plug flow valve	1	26.00	29.12
	471141	Plunger flow valve	1	4.89	5.48
	076618	Pilot Tube		8.56	9.59
	075190	Break Away Fitting		4.89	5.48

PowerMax[®] Commercial Heater

Manufactured Prior to July 2006 - Replacement Parts



PowerMax[®] Commercial Heater (Cont'd)

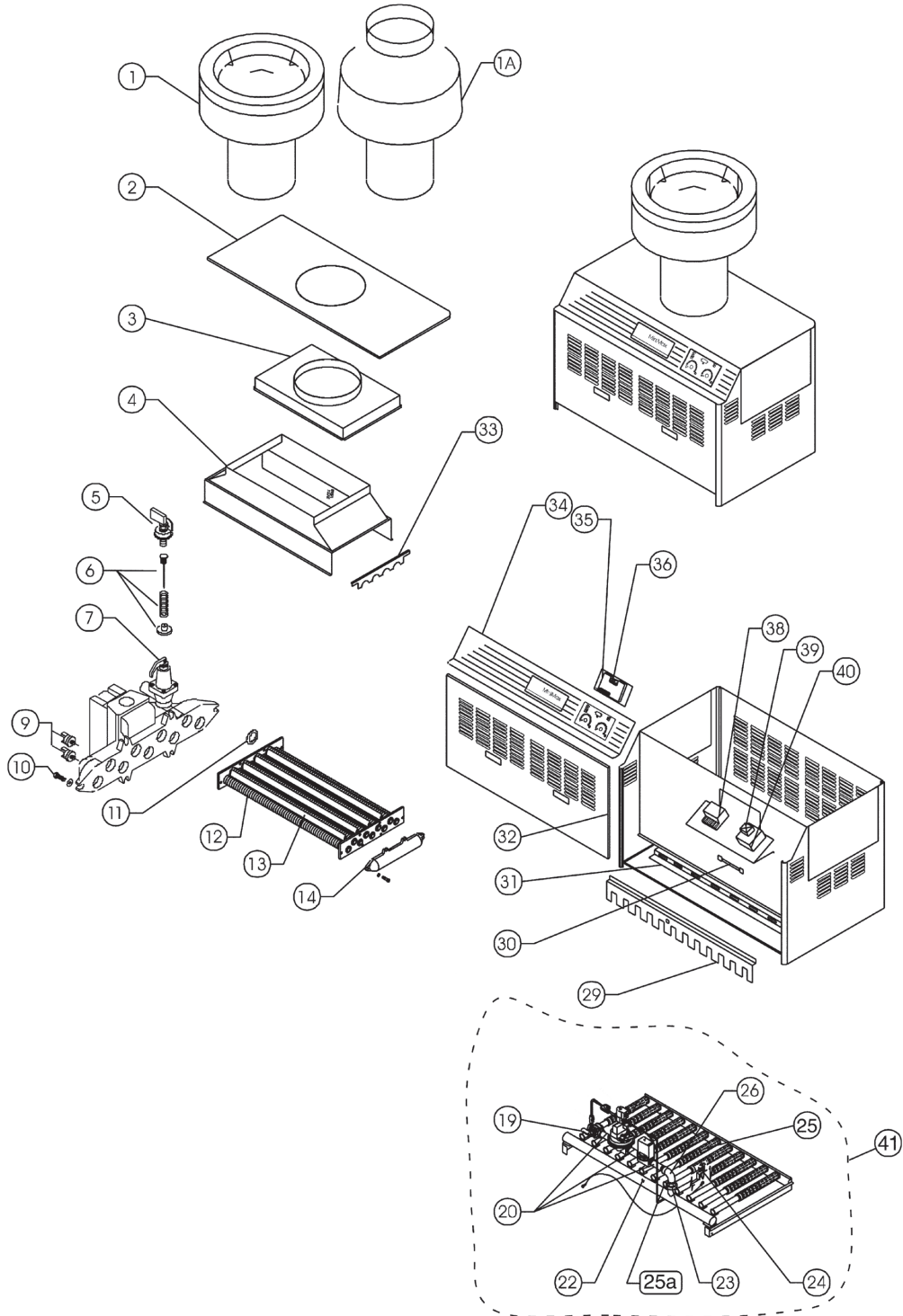
Manufactured Prior to July 2006 - Replacement Parts

Item	Part No.	Description	US List	Can. List
POWERMAX™ COMMERCIAL HEATER				
I	471310	Top cover (Model 900)	CALL	CALL
3	470190	Pressure switch	97.57	109.28
4	470747	Flow valve assembly (Model 525)	67.31	75.39
4	471114	Flow valve assembly (Model 750)	85.70	95.98
4	471115	Flow valve assembly (Model 900)	67.31	75.39
5	470768	Pressure relief valve	367.86	412.00
7a	071017	Hi-limit switch, 150° shut-off	36.68	41.08
7b	471175	Hi-limit switch, 135° shut-off	58.08	65.05
8	470966	Bolts	21.82	24.44
9	470742	Rubber seal	4.89	5.48
10	470979	Combustion chamber (Model 900)	CALL	CALL
11	470735	Heat Exchanger Assembly (Model 525)	3526.72	3949.93
11	470736	Heat exchanger assembly (Model 750)	3301.36	3697.52
11	470737	Heat exchanger assembly (Model 900)	3738.76	4187.41
12	470645	Baffle (Model 525)	21.33	23.89
12	470646	Baffle (Model 750)	19.88	22.27
13	470646	Baffle (Model 900)	19.88	22.27
14	470745	Return header	338.80	379.46
14	470772	Pilot manual valve (Model 900)	45.43	50.88
15	470773	Main shut-off valve	183.19	205.17
17	470653	Manifold (Model 750)	281.04	314.76
19	471204	Pilot Q3451BI178 natural	94.88	106.27
19	471205	Pilot Q3451BI236 propane	94.88	106.27
20	470771	Pilot regulator (Model 900)	101.25	113.40
21	470770	Pilot valve (Model 900)	262.40	293.89
22	470688	Gas valve solenoid 900 (Model 900)	638.78	715.43
22	470688	Gas valve natural (Model 525 & 750)	638.78	715.43
22	470892	Gas valve propane (Model 525 & 750)	962.81	1078.35
23	470687	Gas valve diaphragm natural (Model 900)	749.40	839.33

Item	Part No.	Description	US List	Can. List
25	471537	Burner alternate comm	96.66	108.26
25a	471545	Burner w/pilot bracket (Model 525)	175.00	196.00
26	075173	Thermal cut-off	18.35	20.55
28	470792	Retainer shield (Model 525)	36.09	40.42
28	470793	Retainer shield (Model 750)	57.14	64.00
28	470794	Retainer shield (Model 900)	44.66	50.02
29	471426	Junction box	31.47	35.25
30	471571	Transformer	68.62	76.85
31	073584	Module IID S8600F natural	264.55	296.30
31	073585	Module IID S8600H propane	273.23	306.02
33	470186	Rocker switch	10.05	11.26
34	470179	Thermostat board	194.89	218.28
35	470753	Control panel (Model 525)	431.94	483.77
35	470754	Control panel (Model 750)	530.09	593.70
35	470755	Control panel (Model 900)	543.27	608.46
38	471313	Blower (Model 525)	857.08	959.93
38	471314	Blower (Model 750 & 900)	1047.49	1173.19
39	471428	Air pressure switch	61.01	68.33
40	470331	Blower control box	45.31	50.75
41	470010	Relay	44.29	49.60
44	470799	Baffles hold down	22.86	25.60
45	470648	Burner tray assembly natural (Model 525)	2549.71	2855.68
45	470649	Burner tray assembly natural (Model 750)	2464.29	2760.00
45	470650	Burner tray assembly natural (Model 900)	3816.04	4273.96
45	470669	Burner tray assembly propane (Model 750)	2830.70	3170.38
NOT SHOWN				
	470180	Thermistor (probe) complete	36.71	41.12
	470181	Stem, thermostat control	4.89	5.48
	470184	Knob, thermostat	10.25	11.48

MiniMax[®] Commercial Heater

Manufactured Prior to July 2006 - Replacement Parts



In January 1996, the circuit boards for MiniMax Heaters were changed at the terminals by request of the American National Standard Institute (ANSI) and the American Gas Association (A.G.A.), the two approval agencies for the manufacturing of gas heaters in the United States. If you have a heater manufactured before January 1, 1996 and you receive a newer circuit board with the smaller terminals and the older thermistor has larger connectors, the larger connectors can be crimped so they will fit tight on the newer circuit board terminals, contact a Pool Service Professional for details.

MiniMax[®] Commercial Heater (Cont'd)

Replacement Parts



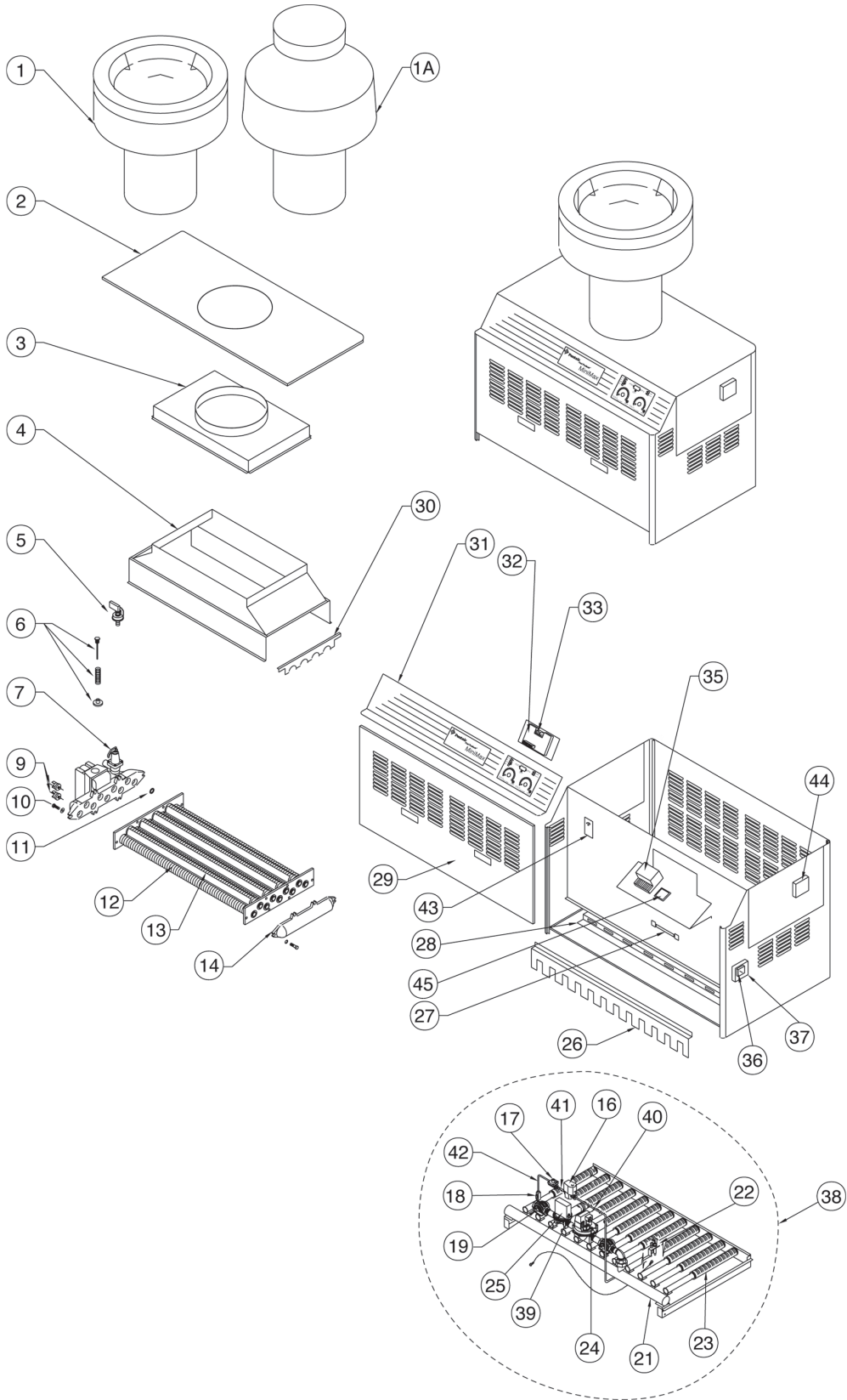
Item	Description	Part No.	US List	Can. List
MINIMAX[®] COMMERCIAL HEATER				
I	Outdoor vent cap kit * (Model 525)	460226	285.70	319.98
I	Outdoor vent cap kit * (Model 750)	460318	1286.46	1440.84
I	Outdoor vent cap kit * (Model 900)	460319	1645.44	1842.89
IA	Indoor draft hood kit * (Model 525)	460321	1665.45	1865.30
IA	Indoor draft hood kit * (Model 750)	460320	1311.17	1468.51
IA	Indoor draft hood kit * (Model 900)	460234	285.70	319.98
5	Pressure switch	470190	97.57	109.28
6	Flow valve assembly (Model 525)	470747	67.31	75.39
6	Flow valve assembly (Model 750)	471114	85.70	95.98
6	Flow valve assembly (Model 900)	471115	67.31	75.39
7	Pressure relief valve (Model 525)	470768	367.86	412.00
9	Hi-limit switch (Model 525)	071017	36.68	41.08
10	Bolts (Model 525)	470966	21.82	24.44
11	Rubber seal (Model 525)	470742	4.89	5.48
12	Heat exchanger assembly (Model 525)	470735	3526.72	3949.93
12	Heat exchanger assembly (Model 750)	470736	3301.36	3697.52
12	Heat exchanger assembly (Model 900)	470737	3738.76	4187.41
13	Baffle (Model 525)	470645	21.33	23.89
13	Baffle (Model 750)	470646	19.88	22.27
13	Baffle (Model 900)	470647	20.71	23.20
14	Return header	470745	338.80	379.46
16	Pilot valve (Model 900)	470770	262.40	293.89
17	Pilot regulator natural (Model 900)	470771	101.25	113.40
18	Pilot manual valve (Model 900)	470772	45.43	50.88
19	Main shut-off valve	470773	183.19	205.17
22	Manifold (Model 750)	470653	281.04	314.76
24	Pilot Q345A2816 natural	471204	94.88	106.27
24	Pilot Q345A2824 propane	471205	94.88	106.27
25	Burner, 525 -7 req., 750 - 10 req., 900 - 12 req.	471537	96.66	108.26
25A	Burner w/pilot bracket	471545	175.00	196.00

Item	Description	Part No.	US List	Can. List
27	Gas valve diaphragm natural (Model 900)	470687	749.40	839.33
28	Gas valve solenoid 900 (Model 900)	470688	638.78	715.43
28	Gas valve natural (Model 525 & 750)	470891	768.82	861.08
28	Gas valve propane (Model 525 & 750)	470892	962.81	1078.35
29	Retainer shield (Model 525)	470792	36.09	40.42
29	Retainer shield (Model 750)	470793	57.14	64.00
29	Retainer shield (Model 900)	470794	44.66	50.02
30	Thermal cut-off	075173	18.35	20.55
33	Baffle hold down	470799	22.86	25.60
34	Control panel (Model 525)	470753	431.94	483.77
34	Control panel (Model 750)	470754	530.09	593.70
34	Control panel (Model 900)	470755	543.27	608.46
35	Thermostat board	470179	194.89	218.28
36	Rocker switch	470186	10.05	11.26
38	Module IID S8600F natural	073584	264.55	296.30
38	Module IID S8600H propane	073585	273.23	306.02
39	Transformer	471571	68.62	76.85
40	Junction box	471426	31.47	35.25
41	Burner tray assembly natural (Model 525)	470648	2549.71	2855.68
41	Burner tray assembly natural (Model 750)	470649	2464.29	2760.00
41	Burner tray assembly propane (Model 750)	470669	2830.70	3170.38
41	Burner tray assembly natural (Model 900)	470650	3816.04	4273.96
NOT SHOWN				
	Drain valve	072134	26.26	29.41
	Thermistor (probe) complete	470180	36.71	41.12
	Stem, thermostat control	470181	4.89	5.48
	Knob, thermostat	470184	10.25	11.48

* Choice of one vent kit, item No. I or No. IA, provided at no charge with initial commercial heater purchase.

** Item No. 21, hi-tension wire, is now part of pilot assembly, item No. 24.

MiniMax[®] Commercial Heater, w/CSD-I Controls Replacement Parts



MiniMax[®] Commercial Heater, w/CSD-I Controls (Cont'd)

Replacement Parts

Item	Description	Part No.	US List	Can. List
MINIMAX[®] COMMERCIAL HEATER WITH CSD-I CONTROLS				
I	Outdoor vent cap kit (Model 525) ¹	460226	285.70	319.98
I	Outdoor vent cap kit (Model 750) ¹	460318	1286.46	1440.84
I	Outdoor vent cap kit (Model 900) ¹	460319	1645.44	1842.89
IA	Indoor draft hood kit (Model 750) ¹	460320	1311.17	1468.51
IA	Indoor draft hood kit (Model 525) ¹	460321	1665.45	1865.30
5	Pressure switch	470190	97.57	109.28
6	Flow valve assembly (Model 525)	470747	67.31	75.39
6	Flow valve assembly (Model 750)	471114	85.70	95.98
6	Flow valve assembly (Model 900)	471115	67.31	75.39
7	Pressure relief valve	470768	367.86	412.00
	Hi-Limit switch	071017	36.68	41.08
10	Bolts	470742	4.89	5.48
11	Rubber Seal	470735	3526.72	3949.93
12	Heat exchange assembly (Model 525)	470736	3301.36	3697.52
12	Heat exchange assembly (Model 750)	470737	3738.76	4187.41
12	Heat exchange assembly (Model 900)	470645	21.33	23.89
13	Baffle (Model 525)	470646	19.88	22.27
13	Baffle (Model 750)	470646	19.88	22.27
13	Baffle (Model 900)	470647	20.71	23.20
14	Return header	470745	338.80	379.46
16	Pilot valve	470770	262.40	293.89
17	Pilot regulator natural	470771	101.25	113.40
18	Pilot manual valve	470772	45.43	50.88
19	Main shut-off valve	470773	183.19	205.17
21	Manifold (Model 750)	470653	281.04	314.76
22	Pilot Q3451B1178 natural	471204	94.88	106.27
22	Pilot Q3451B1236 propane	471205	94.88	106.27
23	Burner, qty. 7	471537	96.66	108.26
23a	Burner w/pilot bracket	471545	175.00	196.00
24	Gas valve diaphragm natural	470687	749.40	839.33
25	Gas valve solenoid	470688	638.78	715.43
26	Retainer shield (Model 525)	470792	36.09	40.42

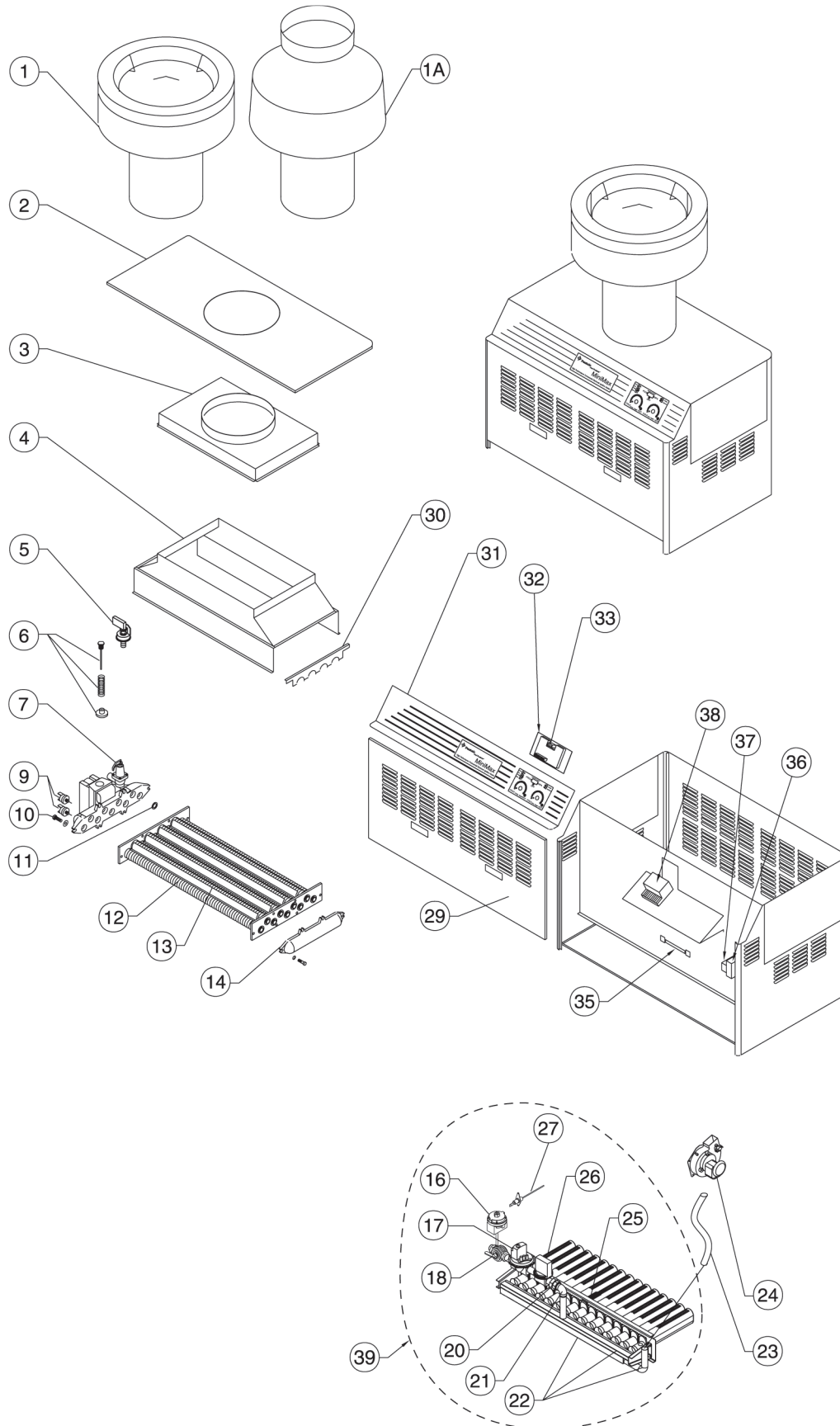
Item	Description	Part No.	US List	Can. List
26	Retainer shield (Model 750)	470793	57.14	64.00
26	Retainer shield (Model 900)	470794	44.66	50.02
27	Thermal cut-off	075173	18.35	20.55
30	Baffle hold down	470799	22.86	25.60
31	Control panel (Model 525)	470753	431.94	483.77
31	Control panel (Model 750)	470754	530.09	593.70
31	Control panel (Model 900)	470755	543.27	608.46
32	Thermostat board	470179	194.89	218.28
33	Rocker switch	470186	10.05	11.26
35	Module IID S8600F natural/propane	472339	316.32	354.28
36	Transformer	471571	68.62	76.85
37	J-box	471426	31.47	35.25
38	Burner tray assembly natural (Model 525)	470648	2549.71	2855.68
38	Burner tray assembly natural (Model 750)	470649	2464.29	2760.00
38	Burner tray assembly natural (Model 900)	470650	3816.04	4273.96
38	Burner tray assembly propane (Model 750)	470669	2830.70	3170.38
43	High limit control	472334	CALL	CALL
44	Low water cut-off	472337	CALL	CALL
45	Lock-out control	472338	225.94	253.05

¹ Choice of one vent kit, item No. I or No. IA, provided at no charge with initial commercial heater purchase.

* Hi-tension wire is now part of pilot assembly, item No. 22.

MiniMax[®] Commercial LOW NOx Heater

Replacement Parts



MiniMax[®] Commercial LOW NOx Heater (Cont'd) Replacement Parts

Item	Description	Part No.	US List	Can. List
MINIMAX[®] COMMERCIAL LOW NOX HEATER				
I	Outdoor vent cap kit (Model 525) ¹	460226	285.70	319.98
I	Outdoor vent cap kit (Model 750) ¹	460318	1286.46	1440.84
I	Outdoor vent cap kit (Model 900) ¹	460319	1645.44	1842.89
IA	Indoor draft hood kit (Model 525) ¹	460321	1665.45	1865.30
IA	Indoor draft hood kit (Model 750) ¹	460320	1311.17	1468.51
IA	Indoor draft hood kit (Model 900) ¹	460234	285.70	319.98
5	Pressure switch	470190	97.57	109.28
6	Flow valve assembly (Model 525)	470747	67.31	75.39
6	Flow valve assembly (Model 750)	471114	85.70	95.98
6	Flow valve assembly (Model 900)	471115	67.31	75.39
7	Pressure relief valve (Model 525)	470768	367.86	412.00
9	Hi-limit switch	071017	36.68	41.08
10	Bolts	470966	21.82	24.44
11	Rubber seal	470742	4.89	5.48
12	Heat exchanger assembly (Model 525)	470735	3526.72	3949.93
12	Heat exchanger assembly (Model 750)	470736	3301.36	3697.52
12	Heat exchanger assembly (Model 900)	470737	3738.76	4187.41
13	Baffle (Model 525)	470645	21.33	23.89
13	Baffle (Model 750)	470646	19.88	22.27
13	Baffle (Model 900)	470647	20.71	23.20
14	Return header	470745	338.80	379.46
16	Low gas pressure switch	471506	239.04	267.72

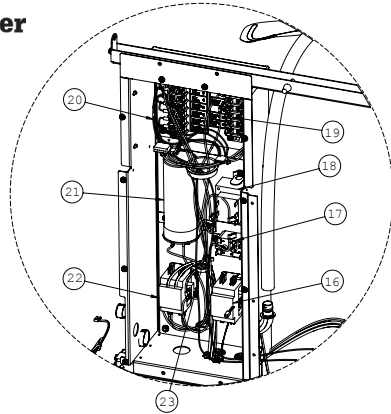
Item	Description	Part No.	US List	Can. List
17	Gas valve diaphragm natural (Model 525 & 750)	471501	CALL	CALL
17	Gas valve diaphragm natural (Model 900)	471500	682.91	764.86
18	Main shutoff valve	470773	183.19	205.17
19	Gas valve solenoid (Model 900)	470688	638.78	715.43
22	Gas & air manifold assembly (Model 750)	471473	566.44	634.41
23	Air supply pipe	471498	20.67	23.15
24	Blower	471481	537.74	602.27
25	Hot surface ignition	471491	99.35	111.27
26	OVO burner, qty. 7	471471	94.76	106.13
27	Remote sense electrode	473483	CALL	CALL
30	Baffles hold down	470799	22.86	25.60
31	Control panel (Model 525)	470753	431.94	483.77
31	Control panel (Model 750)	470754	530.09	593.70
31	Control panel (Model 900)	470755	543.27	608.46
32	Thermostat board	470179	194.89	218.28
33	Rocker switch	470186	10.05	11.26
35	Thermal cut-off	075173	18.35	20.55
36	J-box	471426	31.47	35.25
37	Transformer	471571	68.62	76.85
38	Ignition module	471492	743.12	832.29
39	Burner tray assembly (Model 525)	471482	3459.21	3874.32
39	Burner tray assembly (Model 750)	471483	3950.74	4424.83
39	Burner tray assembly (Model 900)	471484	CALL	CALL

¹ Choice of one vent kit, item No. I or No. IA, provided at no charge with initial commercial heater purchase.

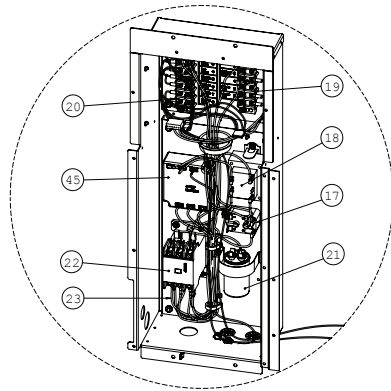
UltraTemp® Heat Pump

(460932, 460933, 460935, 460936, 460937, 460938, 460962, 460963, 460965, 460967)

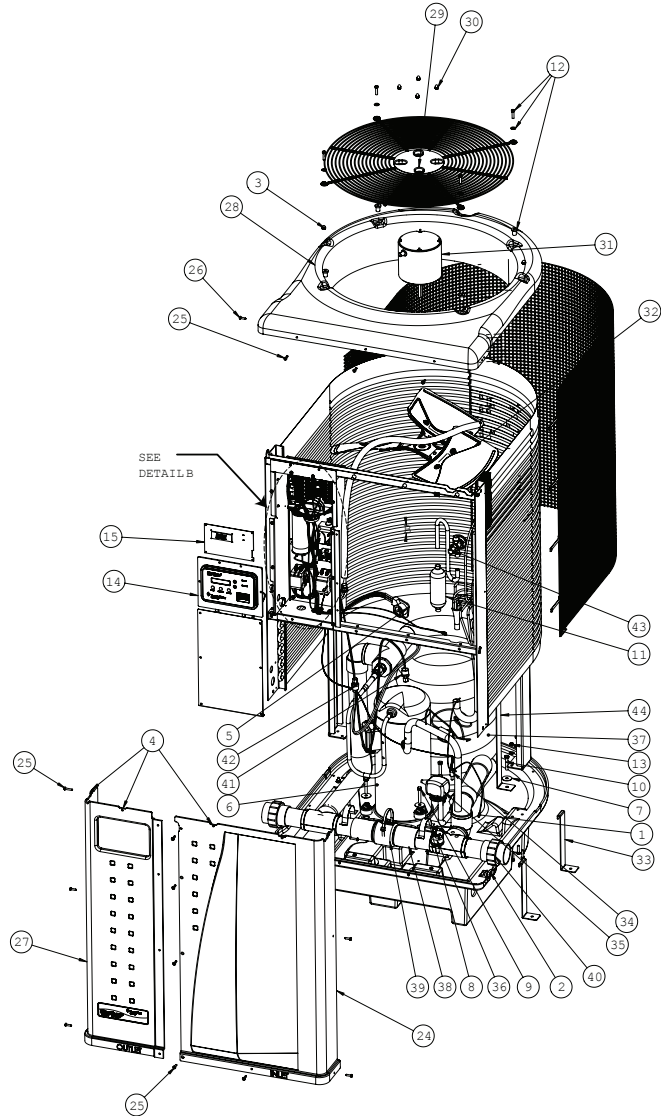
Replacement Parts



DETAIL B - Single Phase



DETAIL B - Three Phase



Item	Part No.	Description	US List	Can. List
ULTRATEMP REPLACEMENT PARTS				
1	473665	PROBE THERMISTOR DEFROST SENSOR	35.44	39.69
2	470284	NUT, J-CLIP	2.48	2.78
3	473285	NUT, 1/4-20 SS ACORN	1.03	1.15
4	470281	NUT, U-CLIP	2.07	2.32
5	473732	WIRE HARNESS, COMPRESSOR (IPH-60HZ)	78.51	87.93
5	474009	WIRE HARNESS, COMPRESSOR (IPH-50HZ)	CALL	CALL
5	474010	WIRE HARNESS, COMPRESSOR (3-PHASE MODELS)	81.59	91.38

Item	Part No.	Description	US List	Can. List
ULTRATEMP REPLACEMENT PARTS				
6	473734Z	COMPRESSOR, SCROLL ZP83 (MODEL I20, I20HC)	2179.68	2441.24
6	473735Z	COMPRESSOR, SCROLL ZP70 (MODEL I10)	1934.61	2166.76
6	474011Z	COMPRESSOR KIT, SCROLL HLJ83 (3-PHASE MODEL I20C ONLY)	2219.65	2486.01
6	473780Z	COMPRESSOR SCROLL HLJ072 (MODEL 90I)	CALL	CALL
6	474081Z	COMPRESSOR SCROLL HLJ083 (MODEL I00I)	CALL	CALL

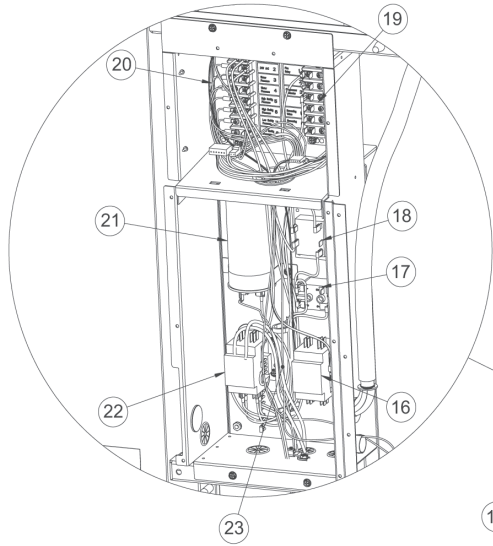
UltraTemp® Heat Pump (Cont'd)

Replacement Parts

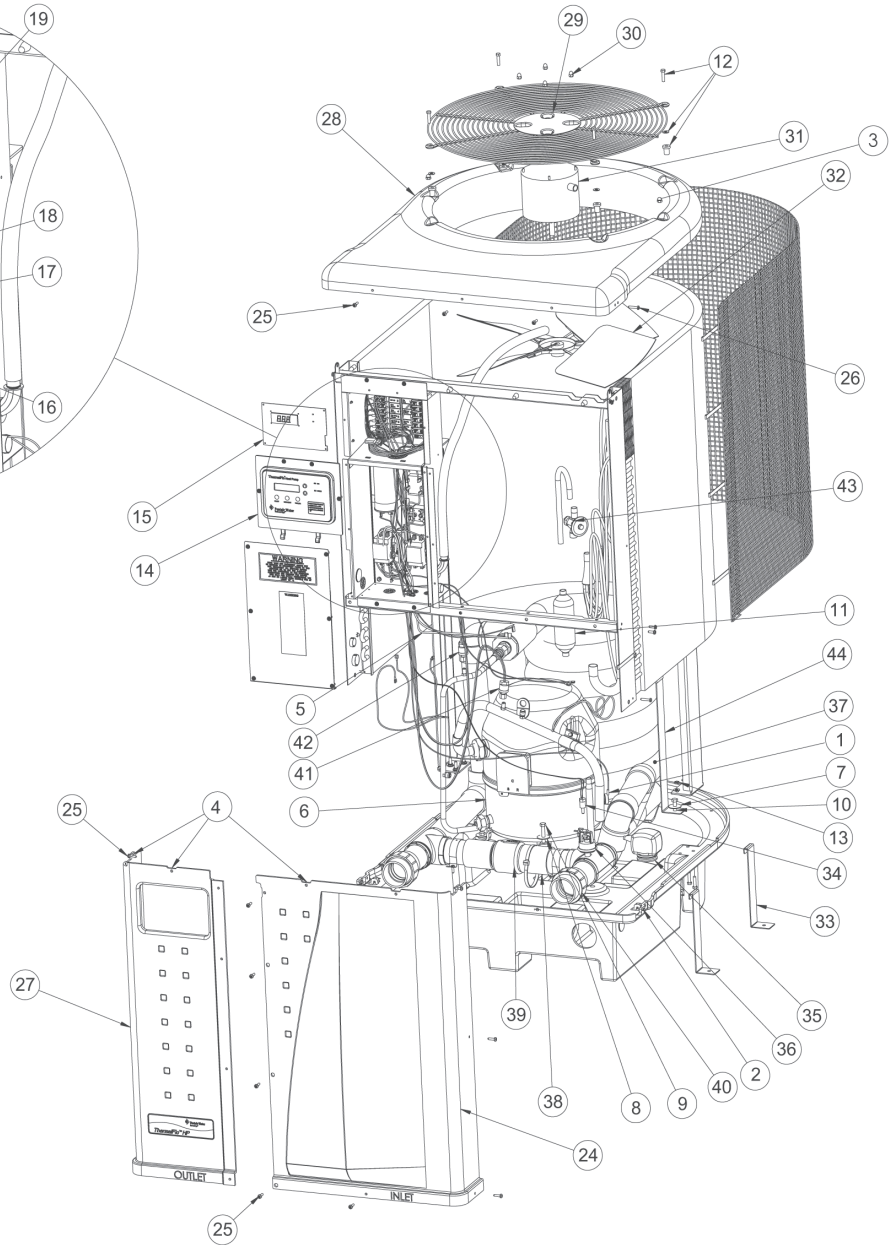
Item	Part No.	Description	US List	Can. List
ULTRATEMP REPLACEMENT PARTS				
7	473295	FENDER WASHER	1.03	1.15
8	473736	COMPRESSOR ISOLATION KIT, GROMMET AND SPACER I SET	22.29	24.96
9	473745	BOLT 5/16-18 x 2 in. SS	3.61	4.04
10	98219800	BOLT 5/16-18 x 1 in. SS	1.24	1.39
11	473121	DRIER (MODEL 110, 120, 120C, 1001, 901 HEAT ONLY)	76.81	86.03
11	473139	DRIER (MODEL 120HC)	228.20	255.58
12	470441	FAN GUARD FASTENER KIT	6.34	7.10
13	071406	NUT, 1/4-20 HEX SS	1.24	1.39
14	473777	BEZEL, CONTROL BOARD WITH LABEL	128.99	144.47
15	472734	AUTO HEAT CONTROL BOARD ASSEMBLY	354.38	396.91
16	473603	PUMP CONTACTOR AUTOHEAT (MODEL 110, 120, 120HC, 1001 ONLY)	48.08	53.85
17	473150	FAN RELAY	89.96	100.76
17	474016	FAN RELAY (3PH-50HZ ONLY)	CALL	CALL
18	473155	TRANSFORMER	131.47	147.25
18	473790	TRANSFORMER (3PH-50HZ ONLY)	CALL	CALL
19	473422	WIRE HARNESS TERMINAL BLOCK- FAN, COMPRESSOR	67.73	75.86
20	473315	WIRE HARNESS, TERMINAL BLOCK- SENSORS	82.69	92.61
21	473731	CAPACITOR (MODEL 110, 120, 120HC ONLY)	76.19	85.33
21	473154	CAPACITOR (3-PHASE MODEL 120C ONLY)	48.53	54.35
21	470146	CAPACITOR (MODEL 1001)	66.80	74.82
22	473149	CONTACTOR, HEAT PUMP (MODEL 110, 120, 120HC, 1001 ONLY)	139.69	156.45
22	473778	CONTACTOR, HEAT PUMP (3-PHASE MODELS)	358.29	401.28
23	473423	WIRE HARNESS, MAIN (MODEL 110, 120, 120HC, 1001 ONLY)	65.57	73.44
23	474021	WIRE HARNESS, MAIN (3-PHASE MODEL 120C ONLY)	119.42	133.75
23	474031	WIRE HARNESS, MAIN (3-PHASE MODEL 901 ONLY)	CALL	CALL
24	473742	PANEL, FRONT RIGHT	191.41	214.38
24	474194	PANEL, FRONT RIGHT, 36 in. BLACK	CALL	CALL
24	473431	PANEL, FRONT RIGHT (MODEL 1001 ONLY)	186.94	209.37
24	473412	PANEL, FRONT RIGHT (MODEL 901 ONLY)	164.13	183.83
25	470159	SCREW #10 x .75 in. PAN HEAD PHILLIPS, ALMOND HEAD	1.03	1.15
25	474198	SCREW #10 x .75 in. PAN HEAD PHILLIPS, BLACK HEAD	CALL	CALL
26	470161	SCREW #10 x 1 in. BUTTON HEAD TORX, ALMOND HEAD	1.03	1.15
26	474197	SCREW #10 x 1 in. BUTTON HEAD TORX, BLACK HEAD	CALL	CALL
27	473755	PANEL, FRONT LEFT, W/ DECAL	202.47	226.77

Item	Part No.	Description	US List	Can. List
27	474196	PANEL, FRONT LEFT, W/ DECAL, 36 in. BLACK	CALL	CALL
27	474202	PANEL, FRONT LEFT, W/ DECAL (MODEL 1001 ONLY)	CALL	CALL
27	474203	PANEL, FRONT LEFT, W/ DECAL (MODEL 901 ONLY)	CALL	CALL
28	473773	HP TOP	346.60	388.19
28	474193	HP TOP, BLACK	CALL	CALL
29	473786	GUARD, FAN	127.45	142.74
30	470439	NUT, #10-32 SS ACORN	4.14	4.64
31	473785	FAN MOTOR W/ ACORN NUT KIT	311.01	348.33
31	474030Z	FAN MOTOR W/ ACORN NUT KIT (MODEL 901 ONLY)	CALL	CALL
32	473783	FAN BLADE (60 Hz)	146.56	164.15
32	474230	FAN BLADE (50 Hz)	CALL	CALL
33	470137	TIE DOWN BRACKET	16.04	17.96
34	471566	PROBE THERMISTER - WATER TEMPERATURE	41.76	46.77
35	473606	WATER PRESSURE SWITCH BOOT	5.39	6.04
36	473605	WATER PRESSURE SWITCH	61.45	68.82
37	473992	TITANIUM HEAT EXCHANGER	2555.60	2862.27
37	472736	TITANIUM HEAT EXCHANGER (MODEL 1001 ONLY)	2554.18	2860.68
37	472737	TITANIUM HEAT EXCHANGER (MODEL 901 ONLY)	2246.38	2515.95
38	473774	WATER BYPASS MANIFOLD W/ 2 STREET ELBOWS	CALL	CALL
39	R172305	WATER BYPASS CHECK VALVE	26.66	29.86
40	473381	UNION PVC 2 in.	22.62	25.33
41	473656	SWITCH, LOW PRESSURE	92.81	103.95
42	473744	SWITCH, HIGH PRESSURE	75.77	84.86
43	473787	THERMOSTATIC EXPANSION VALVE (MODEL 120, 120C, 1001, 901)	199.79	223.76
43	473999	THERMOSTATIC EXPANSION VALVE (MODEL 120HC, 110)	199.79	223.76
44	473657	TITANIUM WATER COIL TIE DOWN STRAP (2 ON MODEL 901, 1 ON MODEL 1001)	28.68	32.12
44	473772	TITANIUM WATER COIL TIE DOWN STRAP (1 ON ALL MODELS EXCEPT MODEL 901)	CALL	CALL
44	473789	TITANIUM WATER COIL TIE DOWN STRAP (1 ON ALL MODELS EXCEPT MODEL 901 & 1001)	63.51	71.13
45	474089	PHASE MONITOR	200.41	224.46
NOT SHOWN				
	473135	REVERSING VALVE (Model 120HC) [not shown] FOR HEAT COOL ONLY	714.23	799.94
	473432	REVERSING SOLENOID (Model 120HC) [not shown] FOR HEAT COOL ONLY	168.98	189.26

ThermalFlo™ Heat Pump Titanium (460912, 460913, 460914, 460915, & 460922) Replacement Parts



SCALE 1 : 4



ThermalFlo™ Heat Pump Titanium (Cont'd)

Replacement Parts



Item	Part No.	Description	US List	Can. List
THERMALFLO™ HP TITANIUM				
1	473665	Probe Thermister Defrost Sensor	35.44	39.69
2	470284	Nut, J-Clip	2.48	2.78
3	473285	Nut, 1/4-20 SS Acorn	1.03	1.15
4	470281	Nut, U-Clip	2.07	2.32
5	470147	Wire Harness, Compressor	13.14	14.72
6	473024Z	Compressor, Trane GH633-LLI-G (Model # 500, 700, 900)	2072.94	2321.69
6	473025Z	Compressor, Trane GH673-LLI-G (Model # 1200, 1200R)	2072.94	2321.69
7	473295	Fender Washer	1.03	1.15
8	473026	Compressor Isolation kit, Grommet and Spacer (1 Set)	17.61	19.72
9	473294	Bolt 5/16-18 x 1-3/4 in. SS	1.03	1.15
10	98219800	Bolt 5/16-18 x 1 in. SS	1.24	1.39
11	473121	Drier (Model # 500, 700, 900, 1200)	76.81	86.03
11	473139	Drier, Reversible (Model # 1200R)	228.20	255.58
12	470441	Fan Guard Fastener Kit	6.34	7.10
13	071406	Nut, 1/4-20 Hex SS	1.24	1.39
14	473693	Bezel, Control Board w/Label	141.75	158.76
15	472734	Control Board Assembly	354.38	396.91
16	473603	Pump Contactor AutoHeat	48.08	53.85
17	473150	Fan Relay	89.96	100.76
18	473155	Transformer	131.47	147.25
19	473422	Wire Harness Terminal Block - Fan, Compressor	67.73	75.86
20	473315	Wire Harness, Terminal Block - Sensors	82.69	92.61
21	470146	Capacitor	66.80	74.82
22	473149	Contactor, Heat Pump	139.69	156.45
23	473423	Wire Harness, Main	65.57	73.44
24	473412	Panel, Front Right (Model# 500, 700)	164.13	183.83
24	473431	Panel, Front Right (Model# 900, 1200, 1200R)	186.94	209.37
25	470159	Screw #10 x 3/4 in. Pan Head Phillips, Almond Head	1.03	1.15

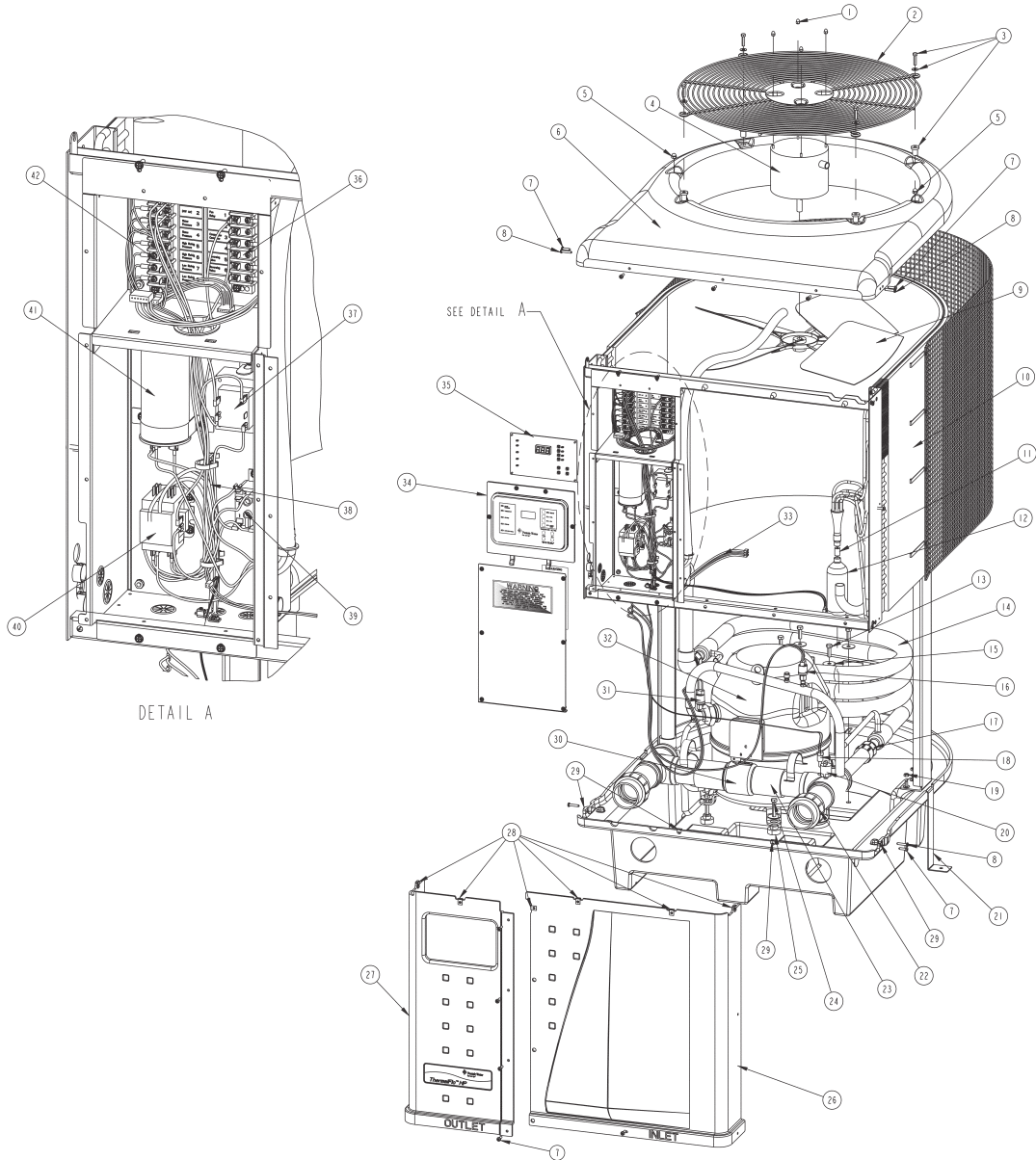
Item	Part No.	Description	US List	Can. List
26	470161	Screw #10 x 1 in. Button Head Torx, Almond Head	1.03	1.15
27	470419	Panel, Front Left, w/ Decal (Model# 500, 700)	185.79	208.08
27	470434	Panel, Front Left, w/ Decal (Model# 900, 1200, 1200R)	197.45	221.14
28	473134	HP Top	510.83	572.13
29	473368	Guard, Fan	92.70	103.82
30	470439	Nut, 10-32 SS Acorn	4.14	4.64
31	470289	Fan Motor w/Acorn nut Kit	235.55	263.82
32	473223	Fan Blade	194.89	218.28
33	470137	Tie Down Bracket	16.04	17.96
34	471566	Probe Thermister - Water Temperature	41.76	46.77
35	473606	Water Pressure Switch Boot	5.39	6.04
36	473605	Water Pressure Switch	61.45	68.82
37	472737	Titanium Heat Exchanger (Model# 500)	2246.38	2515.95
37	472736	Titanium Heat Exchanger (Model# 700, 900, 1200, 1200R)	2554.18	2860.68
38	473774Z	Water Bypass Manifold	CALL	CALL
39	R172305	Water Bypass Check Valve	26.66	29.86
40	473381	Union PVC 2 in.	22.62	25.33
41	473656	Switch, Low Pressure	92.81	103.95
42	473655	Switch, High Pressure	92.81	103.95
43	472735	Thermostatic Expansion Valve	189.53	212.27
44	473657	Titanium Water Coil Tie Down Strap	28.68	32.12
NOT SHOWN				
	473135	Reversing Valve (Model # 1200R)	714.23	799.94
	473136	Reversing Solenoid (Model # 1200R)	116.13	130.07
	473034	RotoLock Lo Side with Gasket	73.17	81.95
	473035	RotoLock Hi Side with Gasket	73.17	81.95

¹ For units manufactured after 7/1/09.

ThermalFlo™ Heat Pump (Cont'd)

(460812, 460813, 460814, 460815, & 460822)

Replacement Parts



ThermalFlo™ Heat Pump Replacement Parts

Item	Part No.	Description	US List	Can. List
THERMALFLO™ HP				
1	470439	Nut, 10-32 SS acorn ²	4.14	4.64
2	473368	Fan guard	92.70	103.82
3	470441	Fastener kit, fan guard, 1 set	6.34	7.10
4	470289	Fan motor w/acorn nuts	235.55	263.82
5	473285	Nut, 1/4-20 SS acorn	1.03	1.15
6	473134	Top	510.83	572.13
7	470159	Screw, 10 x 3/4 in. pan head phillips, almond head	1.03	1.15
8	470161	Screw, No.10 x 1 in. button head torx, almond head	1.03	1.15
9	473223	Blade, fan	194.89	218.28
11	473144	Orifice, reversing, Model No. 1200R	41.35	46.31
11	473145	Orifice, Model No. 500, 700, 900, 1200, 1200C	41.37	46.33
12	473121	Drier, Model No. 500, 700, 900, 1200, 1200C	76.81	86.03
12	473139	Drier, reversible, Model No. 1200R	228.20	255.58
13	98219800	Bolt 5/16-18 x 1 in., SS	1.24	1.39
14	473416	Coil, water, Model No. 500	1423.65	1594.49
14	473417	Coil, water, Model No. 700, 900, 1200, 1200R, 1200C	1703.79	1908.24
15	473295	Washer, fender	1.03	1.15
16	473175	Switch, low pressure	92.44	103.53
17	473116	Compression fitting, water line, Model No. 500	23.23	26.02
17	473117	Compression fitting, water line, Model No. 700, 900, 1200, 1200R, 1200C	14.64	16.40
18	471566	Probe, Thermistor	41.76	46.77
19	071406	Nut, 1/4-20 hex SS	1.24	1.39
20	473605	Switch, water pressure	61.45	68.82
21	470137	Bracket, tie down	16.04	17.96
22	473381	Union, 2 in. PVC	22.62	25.33
23	473320	Manifold, water bypass w/hartford loop, Model No. 700, 900, 1200, 1200R, 1200C	394.41	441.74
23	473424	Manifold, water bypass w/hartford loop, Model No. 500	380.19	425.81
24	473294	Bolt 5/16-18 x 1-3/4 4 in. SS	1.03	1.15
25	473026	Compressor isolation kit, grommet & spacer, 1 set	17.61	19.72
26	473412	Panel, front right, Model No. 500, 700	164.13	183.83
26	473431	Panel, front right, Model No. 900, 1200, 1200R, 1200C	186.94	209.37

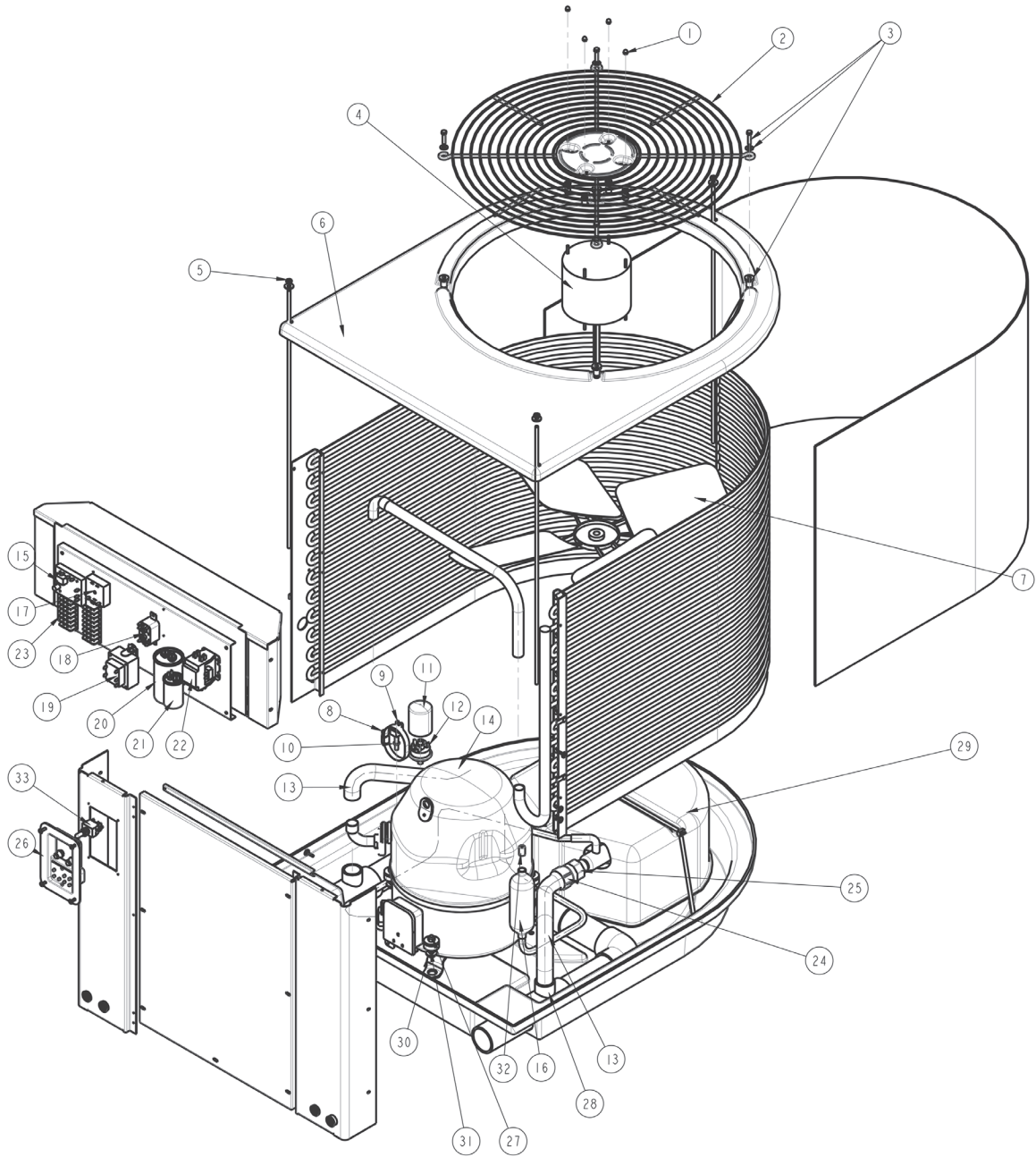
Item	Part No.	Description	US List	Can. List
27	470419	Panel, front left, w/decal, Model No. 500, 700	185.79	208.08
27	470434	Panel, front left, w/decal, Model No. 900, 1200, 1200R, 1200C	197.45	221.14
28	470281	Nut, U-clip	2.07	2.32
29	470284	Nut, J-clip	2.48	2.78
30	R172305	Valve, check	26.66	29.86
31	473172	Switch, high pressure	92.44	103.53
32	473024Z	Compressor, Trane GH633-LLI-G, Model No. 500, 700, 900	2072.94	2321.69
32	473025Z	Compressor, Trane GH673-LMI-G, Model No. 1200, 1200R, 1200C	2072.94	2321.69
33	470147	Wire harness, compressor	13.14	14.72
34	473693	Bezel, control board w/ label	141.75	158.76
35	472734	Control board assembly	354.38	396.91
36	473422	Wire harness, fan & compressor terminal block	67.73	75.86
37	473155	Transformer	131.47	147.25
38	473423	Wire harness, main	65.57	73.44
39	473150	Relay, fan	89.96	100.76
40	473149	Contactator	139.69	156.45
41	470146	Capacitor	66.80	74.82
42	473315	Wire harness, sensor terminal block	82.69	92.61
NOT SHOWN				
	473606	Rubber boot cover for water pressure switch	5.39	6.04
	473135	Reversing valve w/coil, Model No. 1200R	714.23	799.94
	473136	Solenoid, reversing, Model No. 1200R	116.13	130.07
	473432	Coil for reversing valve ¹	168.98	189.26
	473035	RotoLock Hi Side with Gasket	73.17	81.95
	473034	RotoLock Lo Side with Gasket	73.17	81.95

¹ For unit manufactured before 9-1-05.

² For units manufactured after 9-1-05.

MiniMax[®] Plus HP

Replacement Parts



MiniMax® Plus HP (Cont'd)

Replacement Parts



Item	Part No.	Description	US List	Can. List
MINIMAX® PLUS HP				
1	470439	Nut, 10-32 SS acorn	4.14	4.64
2	473368	Fan guard	92.70	103.82
3	470441	Fastener kit, fan guard, 1 set	6.34	7.10
4	473224	Motor, fan	292.41	327.50
5	473285	Nut, 1/4-20 SS acorn	1.03	1.15
6	473222	Top	268.02	300.18
7	473223	Fan blade	194.89	218.28
8	9321004	Hose clamp, 2-3/4 in.	4.10	4.59
9	520272	Temperature sensor, 10K OHM, 40 in.	61.12	68.45
10	9142109	O-ring 2-109	3.42	3.83
11	473364	Protective cap for water pressure switch	3.51	3.93
12	473070	Water pressure switch	154.86	173.44
13	473065	Hose, spa, 1 in.	5.73	6.42
14	473024	Compressor, Trane GH633-LLI-G, Model No. 400, 600, 800	CALL	CALL
14	473025	Compressor, Trane GH673-LMI-G, Model No. 1000, 1000R, CHILLR	CALL	CALL
15	473157	Circuit board, Honeywell	224.15	251.05
16	473121	Drier, Model No. 400, 600, 800, 1000, CHILLR	76.81	86.03
16	473139	Drier, Model No. 1000R	228.20	255.58
17	473156	Time delay SSAC	124.41	139.34
18	473150	Relay, fan	89.96	100.76
19	473155	Transformer	131.47	147.25
20	473198	Capacitor, 50 MFD 440V	57.31	64.19
21	473154	Capacitor, 7.5 MFD 370V	48.53	54.35
22	473149	Contact, compressor	139.69	156.45
23	473160	Terminal block 8 POS	17.78	19.91
24	473068	Adapter, male, Model No. 400, 600, 800	7.31	8.19
24	473069	Adapter, male, Model No. 1000, 1000R, CHILLR	21.95	24.58
25	473116	Quest nut, ASM 3/4 NPT, Model No. 400, 600	23.23	26.02

Item	Part No.	Description	US List	Can. List
25	473117	Quest nut, ASM 3/4 NPT, Model No. 800, 1000, 1000R, CHILLR	14.64	16.40
26	473216	Thermostat, Model No. 400, 600, 800, 1000	321.68	360.28
26	473221	Thermostat, Model No. 1000R	327.42	366.71
27	473294	Bolt, 5/16-18 x 1-3/4 in. SS	1.03	1.15
28	473059	Bypass assembly with check valve	142.85	159.99
29	473051	Water coil assembly, Model No. 400, 600	1652.11	1850.36
29	473052	Water coil assembly, Model No. 800, 1000, 1000R, CHILLR	1869.62	2093.97
30	473295	Washer, fender	1.03	1.15
31	473026	Compressor isolation kit	17.61	19.72
32	473144	Orifice, reversible, Model No. 1000R	41.35	46.31
32	473145	Orifice, reversible, Model No. 400, 600, 800, 1000, CHILLR	41.37	46.33
33	473181	Switch, 3 position toggle	62.17	69.63
NOT SHOWN				
	473135	Valve, reversing, Model No. 1000R	714.23	799.94
	473168	Wire harness electrical	52.46	58.76
	473169	Wire harness, Trane compressor	74.38	83.31
	473172	Switch 500/ 380 hi-pressure	92.44	103.53
	473175	Switch 90/120 lo-pressure, Model No. 400, 600, 800, 1000	92.44	103.53
	473176	Switch 40/80 lo-pressure, Model No. 1000R, CHILLR	92.44	103.53
	155187	Switch toggle double insulated, Model No. CHILLR	17.45	19.54
	473381	Union nuts - 2 in.	22.62	25.33
	473035	RotoLock Hi Side with Gasket	73.17	81.95
	473034	RotoLock Lo Side with Gasket	73.17	81.95

