



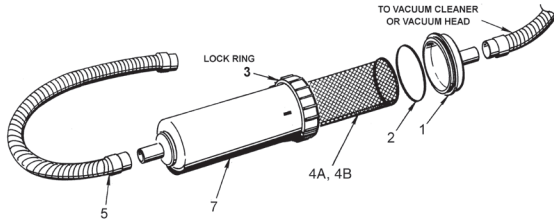
Maintenance & Safety Equipment

Replacement Parts for
Maintenance & Safety Equipment

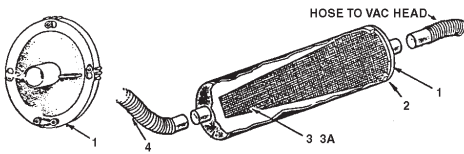


Leaf Traps - Models 179/179C, 180 & 186

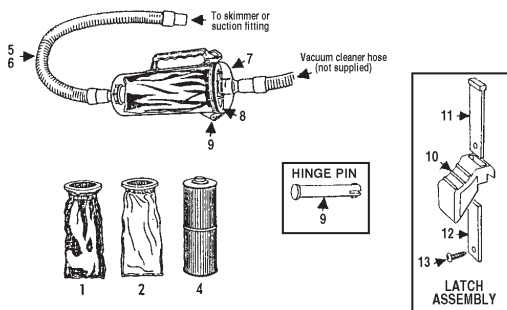
Replacement Parts



Model 179/179C



Model 180



Model 186

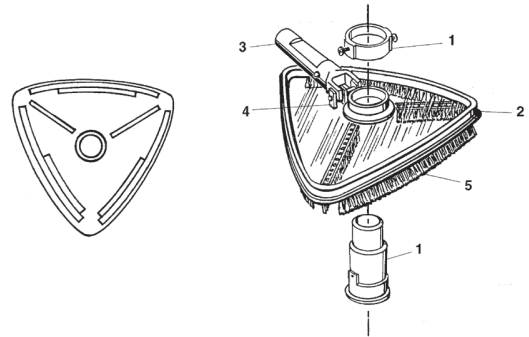
Item	Part No.	Description	US List	Can. List
Order No. :	R211006	R211008	R211010	R211011
Model No. :	179	179-HDB	179-C	179C HDB
Description:	Clear Top Leaf Trap	Heavy Duty Clear Top	"See-Thru" All Clear Leaf Trap	Heavy Duty "See Thru"
1	R211506	Lid No. 179	23.85	26.71
2	R172223	O-ring No. 360	4.68	5.24
3	R172214	Lock ring	13.95	15.62
4	R211516	Std. mesh bag No. 179	10.68	11.96
4A	R211536	Canvas bag No. 179 and No. 186	30.86	34.56
4B	R211518	Sand/silt bag No. 179 and No. 186	21.12	23.65
5	R211256	3 ft. Flexible vacuum hose	18.46	20.68
Order No. :	R211016			
Model No. :	180			
Description:	Leaf Trap			
1	R211206	Lid No. 171	10.93	12.24
2	R18608	O-ring No. 256	7.09	7.94
3	R211216	Std. mesh bag No. 181	8.82	9.88
3A	R211226	Canvas bag No. 182	22.53	25.23
4	R211256	3 ft. flexible vacuum hose	18.46	20.68
Order No. :	R211084	R211086	R211092	R211094
Model No. :	186-A	186-B	186-C	186-D
Description:	Leaf Trap	Leaf Trap	Leaf Trap	Leaf Trap
1	R211516	Std. mesh bag No. 179	10.68	11.96
2	R211536	Canvas bag No. 179, No. 186	30.86	34.56
2A	R211518	Sand/silt bag	21.12	23.65
4	R172653	25 sq. ft. cartridge w/plug	34.83	39.01
4A	R172654	50 sq. ft. cartridge w/plug	60.41	67.66
5	R211256	3 ft. of 1-1/2 in. vacuum hose	18.46	20.68
6	R211260	3 ft. of 2 in. vacuum hose	26.27	29.42
7	R18650	Lid only 1-1/2 in.	22.66	25.38
7A	R18651	Lid only 2 in.	24.25	27.16
8	R172223	O-Ring	4.68	5.24
9	R18654	Hinge pin	1.19	1.33
10	R18648	Latch handle	4.68	5.24
11	R18655	Spring latch	1.19	1.33
12	R18656	Retainer spring latch	1.19	1.33
13	R01045	Screw No. 6 x 1/2 in.	1.19	1.33
13	R211600	Latch & O-ring kit (includes No. 8 through No. 13)	7.72	8.65
14	R18680	2 in. Canister & handle only	83.03	92.99
14A	R18682	1-1/2 in. Canister & handle only	83.03	92.99

Clear View Vacuum - Model 196

Replacement Parts



Item	Part No.	Description	US List	Can. List
Order No. : R201032 R201034				
Model No. : 196 196LW				
Description: CLEAR VIEW VACUUM				
1	R03183	Swivel hose connector parts kit	6.42	7.19
2	R03132	Vinyl replacement bumper	4.68	5.24
3	R201476	No. 192 Snap adapt handle	3.15	3.53
4	R03101	2-1/4 in. connecting pin	0.68	0.76
5	R201540	Replacement brushes	9.40	10.53



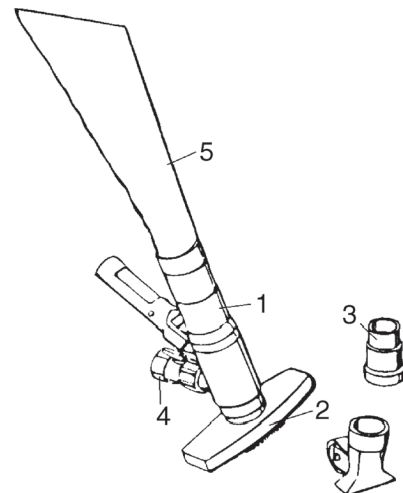
Product on page 137.

Mini Vac® - Model 204

Replacement Parts



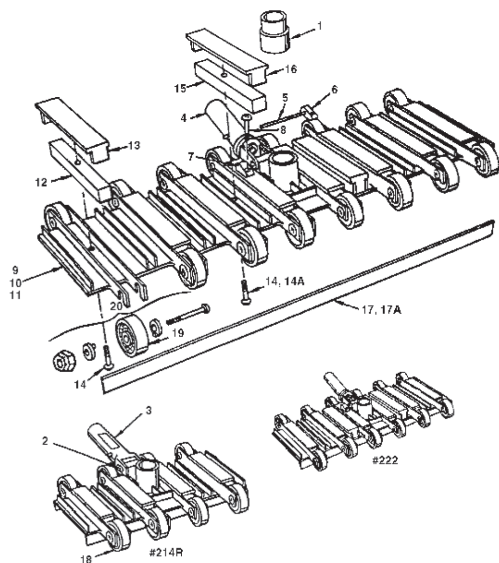
Item	Part No.	Description	US List	Can. List
Order No. : R201146				
Model No. : 204				
Description: MINI VAC®				
3	R03080	Hose adapter	CALL	CALL
5	R201696	Replacement bag	6.57	7.36
5A	R201718	Replacement bags, 2 per bubble pack	12.57	14.08
Opt.	R201716	Silt socks, 3 per bubble pack	6.26	7.01



Product on page 139.

ProVac® - Model 214R, 222R, 214, 222, 229

Replacement Parts



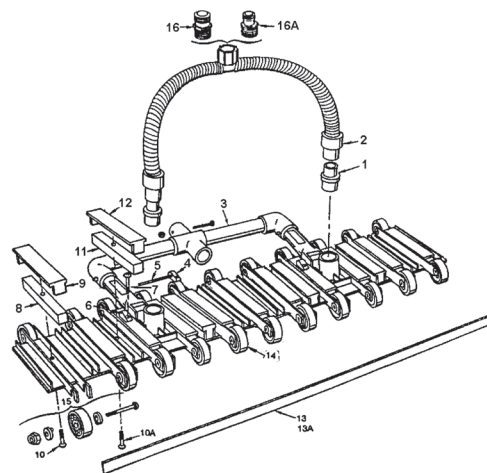
Item	Part No.	Description	US List	Can. List
Order No. :		R201270 R201276 R201286 R201290 R201296		
Model No. :		214R 214 222 222R 229		
Description:		PROVAC® FLEXIBLE VACUUM		
1	R201566	Hose swivel adapter	3.57	4.00
2	R201496	Stainless steel nut & bolt for handle (No. 214, No. 214R & No. 222R)	1.48	1.66
3	R201476	No. 192 Snap-adapt handle (No. 214R, No. 222R)	3.15	3.53
4	R201408	No. 152 Metal swivel handle (No. 214, No. 222 & No. 229)	25.87	28.97
5	R03161	Stainless steel shaft (No. 222 & No. 229)	5.18	5.80
6	R03087	Left shaft retainer	1.19	1.33
7	R03088	Right shaft retainer	1.19	1.33
8	R01023	Screw, shaft retainer	1.19	1.33
9	R03152	Flexible body only (No. 214)	6.28	7.03
10	R03153	Flexible body only (No. 222)	18.82	21.08
11	R03154	Flexible body only (No. 229)	22.77	25.50
12	R02006	Lead only	4.68	5.24
13	R03128	Lead cover only	1.19	1.33
14	R01074	Screw, lead cover 5/8 in.	CALL	CALL
14A	R01075	Screw, lead cover 3/4 in.	1.19	1.33
15	R02009	Lead, large only	9.71	10.88
16	R03160	Lead cover, large only	4.68	5.24
17	R201776	White flex strip, short leg, 5 ft. bubble pack	3.88	4.35
17A	R201778	Blue flex strip, long leg, 5 ft. bubble pack	CALL	CALL
18	R03021	No. 174 Solid plastic wheel (No. 214R, No. 222R)	1.47	1.65
19	R201557	No. 175 Ball bearing polyurethane wheel	5.89	6.60
20	R201456	Axle assembly, does not include wheel (No. 214R, No. 222R)	2.52	2.82
20A	R201458	Axle assembly, does not include wheel (No. 214, No. 222, No. 229)	1.17	1.31

Super ProVac® - Model 241

Replacement Parts



Item	Part No.	Description	US List	Can. List
Order No.:	R201298			
Model No.:	241			
Description:	SUPER PROVAC® FLEXIBLE VACUUM			
1	R201566	Hose swivel adapter	3.57	4.00
2	R201756	Manifold assembly	49.14	55.04
3	R201780	Handle joining assembly	69.82	78.20
4	R03087	Left shaft retainer	1.19	1.33
5	R03161	SS shaft	5.18	5.80
6	R03088	Right shaft retainer	1.19	1.33
7	R01023	Screws, shaft retainer	1.19	1.33
8	R02006	Lead only	4.68	5.24
9	R03128	Lead cover only	1.19	1.33
10	R01074	Screws, lead cover 5/8 in.	CALL	CALL
10A	R01075	Screws, lead cover 3/4 in.	1.19	1.33
11	R02009	Lead, large only	9.71	10.88
12	R03160	Lead cover, large only	4.68	5.24
13	R201776	White flex strip, short leg, 5 ft. bubble pack	3.88	4.35
13A	R201778	Blue flex strip, long leg, 5 ft. bubble pack	CALL	CALL
14	R201557	No. 175 Ball bearing polyurethane wheel	5.89	6.60
15	R201458	Axle assembly, does not include wheel	1.17	1.31
16	R03120	2 in. Insert male adapter	16.52	18.50
16A	R03121	1-1/2 in. Insert male adapter	4.75	5.32



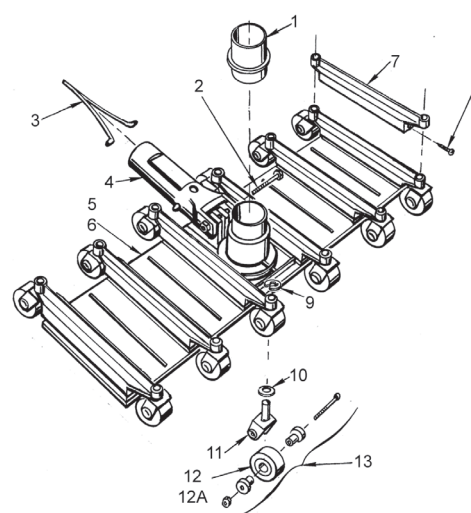
Product on page 138.

Swivel Wheel Flexible Vacuums - Models 250, 252

Replacement Parts



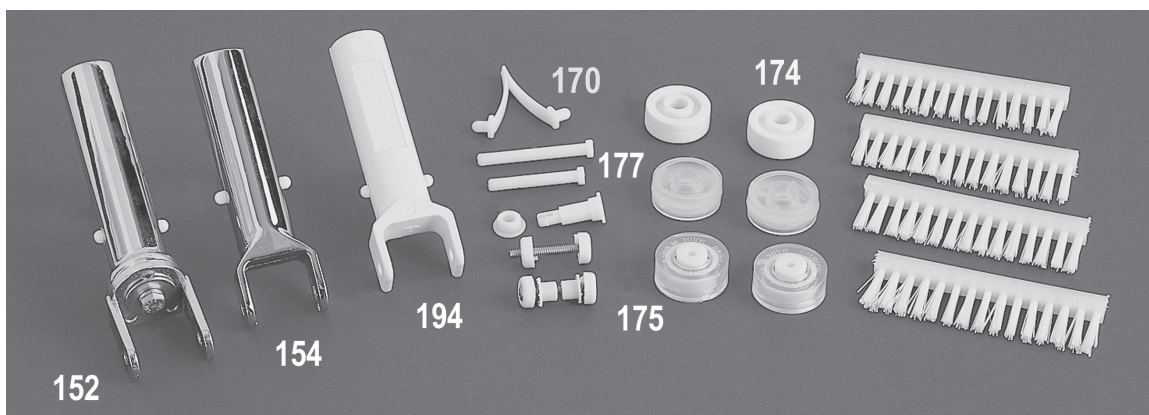
Item	Part No.	Description	US List	Can. List
Order No.:	R201126	R201136		
Model No.:	250	252		
Description:	SWIVEL WHEEL FLEXIBLE VACUUM			
1	R201566	Hose swivel adapter	3.57	4.00
2	R201496	SS bolt and nut for handle	1.48	1.66
3	R22001	Delrin® spring clip No. 170	1.19	1.33
4	R201476	Snap adapt handle w/delrin clip No. 192	3.15	3.53
5	R03012	Flexible base 19 in. model No. 250	27.49	30.79
6	R03013	Flexible base 14 in. model No. 252	CALL	CALL
7	R03032	Caster support No. 265 ¹	4.68	5.24
8	R01023	Lead retainer screw ¹	1.19	1.33
9	R03058	SS retainer clip No. 267 ¹	4.68	5.24
10	R201626	Wheel adjustment washers No. 266 ¹	1.86	2.08
11	R03026	Swivel caster No. 263 ¹	4.68	5.24
12	R03021	Solid plastic wheel model No. 252 ¹	1.47	1.65
12A	R03022	Solid polyurethane wheel model No. 250 ¹	2.84	3.18
13	R201606	Axle assembly (less wheel) No. 264 ¹	2.63	2.95
13	R201500	No. 250 Replacement kit, (4 each) No. 177 wheels, No. 263 casters, No. 264 axle assembly, No. 267 clips, bubble pack card	17.42	19.51
13	R201451	No. 250 Replacement kit, (4 each) No. 174 wheels, No. 263 casters, No. 264 axle assembly, No. 267 clips, bubble pack card	11.81	13.23



¹ Parts fit Model No. 215 Swivel wheel commercial vacuum.

Product on page 138.

Vacuum Head Parts



Product No.	Model No.	Description	Pack Qty.	Carton Wt. (Lbs.)
WHEELS				
174 SOLID MOLDED WHEEL FITS ALL VACUUMS 1-3/8 IN. WHITE WITH 3/8 IN. HOLE				
R03021	174	Molded wheel	Bulk	
R201426	174	4 per card, bubble pack	12	2
177 POLYURETHANE DELUXE WHEEL 1-3/8 IN. TRANSLUCENT WITH 3/8 IN. HOLE				
R03022	177	Wheel	Bulk	
R201446	177	4 per card, bubble pack	12	2
175 BALL BEARING WHEEL 1-3/8 IN. DIAMETER WITH 3/8 IN. HOLE, LONG WEARING POLYURETHANE WHEEL WITH DELRIN® INNER RACE AND STAINLESS STEEL BALLS				
R201557	175	Ball bearing	Bulk	
R201558	175	4 per card, bubble pack	12	2
178 AXLE ASSEMBLY FOR No. 188, No. 200, No. 201, No. 188-20, No. 214R AND No. 222R				
R201456	178	Axle assembly	Bulk	
R201466	178	4 sets per card, bubble pack	12	2
176 AXLE ASSEMBLY. FOR No. 203				
R201470	176	Axle assembly	Bulk	
R201472	176	4 sets per card, bubble pack	12	2
REPLACEMENT KITS				
R201498	203	Replacement kit, No. 174 wheels, No. 176 axle assembly (4 each) bubble pack	12	
R201500	250	Replacement kit, (4 each) No. 177 wheels, No. 263 casters, No. 264 axle assembly, No. 267 clips, bubble pack	12	
R201451	252	Replacement kit, (4 each) No. 174 wheels, No. 263 casters, No. 264 axle assembly, No. 267 clips, bubble pack	12	
152 METAL SWIVEL VACUUM HANDLE. POLISHED CHROME FINISH. SNAP-ADAPT. FITS MOST VACS.				
R201408	152	Metal swivel handle	Bulk	
R201409	152	1 per card, bubble pack.	12	
FLEX STRIPS FOR PROVAC MODELS				
R201776		White, bubble pack	12	
R201778		Blue, bubble pack	12	

Product No.	Model No.	Description	Pack Qty.	Carton Wt. (Lbs.)
154 METAL ONE PIECE HANDLE. POLISHED CHROME FINISH. SNAP-ADAPT. FITS MOST VACS.				
R201421	154	Metal handle	Bulk	
R201420	154	1 per card, bubble pack	12	
192 SNAP-ADAPT HANDLE. TOUGH ABS WITH DELRIN® SPRING CLIP. FITS ALL VACS AND TELEPOLES.				
R201476	192	Snap adapt handle	Bulk	
R201486	192	1 per card, bubble pack	12	2
R201492	192	With 2-1/4 in. pin, bubble pack	12	2
R201490	192	With 1-3/4 in. pin, bubble pack	12	2
170 DELRIN SPRING CLIP				
R22001	170	170 Spring clip	Bulk	
R201556	170	3 per card, bubble pack	12	2
190 STAINLESS STEEL NUT & BOLT.				
R201496	190	For handle mounting	Bulk	
HANDLE CONNECTION PINS				
R03086		1-3/4 in. long, For No. 193 Vac, No. 202 Vac, No. 612 Vac	Bulk	
R03101		2-1/4 in. long, For No. 196, No. 198, No. 201, No. 185, No. 203	Bulk	
STAINLESS STEEL SPRING				
R03099		For No. 198, No. 201, No. 203	Bulk	
MANIFOLD ASSEMBLY				
R201756		For No. 207, No. 215, No. 241	Bulk	
HANDLE JOINING ASSEMBLY				
R201766		For No. 207, No. 215	Bulk	
R201780		For No. 241	Bulk	
REPLACEMENT BRUSHES				
R201526	193R	For No. 193, bubble pack	12	4
R201536	194R/195R	For No. 194 and No. 195, bubble pack	12	4
R201540	196R	For No. 196, bubble pack	12	
R201302	198R	For No. 198, bubble pack	12	4

Vac-Mate® Replacement Parts



Item	Part No.	Qty.	Description	US List	Can. List
Order No. : R211100					
Description: MULTIFUNCTION VACUUM SKIMMER ATTACHMENT					
1	R36026	1	Top housing & plate assembly (large) R211100	49.23	55.14
2	R36027	1	Weir assembly	4.68	5.24
3	R36028	1	Control shaft assembly	4.68	5.24
4	R36013	1	Control handle	4.68	5.24
5	R36022	2	Thrust washer	1.19	1.33
6	R01045	1	Control handle screw	1.19	1.33
7	R36009	1	Debris basket only R211100	10.45	11.70
7H	R38012	1	Debris basket, Hayward style 1075 thru 1086	6.40	7.17
7P	R38007	1	Debris basket, Pentair style 501021-1022	5.51	6.17
8	R36017	1	Basket shaft R211100-5 1/2 in.	4.68	5.24
9	R36003	1	Lead weight	6.35	7.11
10	R01066	2	Hex nut 3/8-16	1.19	1.33
11	R36016	2	Spacer washer	1.19	1.33
12	R36024	1	Knob	4.68	5.24
13	R36002	1	Gasket, large, fits R36009 basket	4.43	4.96
13A	R36025	1	Gasket, Hayward style basket	4.44	4.97
14	R172204	1	Coupling, vacuum gauge R211101	11.77	13.18
15	R172050	1	Nipple, vacuum gauge R211101	4.68	5.24
16	R36030	2	Cuff	4.68	5.24
17	R36019	1	Cap plug	4.68	5.24
18	R36031	1	90° elbow	6.19	6.93
19	R172392	1	Plug 1/4 in. MPT	4.68	5.24
20	R172393	1	O-ring for R172392 plug	4.68	5.24
21	R36006	1	Vacuum gauge	30.30	33.94
22	R36023	1	Anti-Vortex plate	4.68	5.24
23	R36020	1	By-pass screen	4.68	5.24
24	R36018	1	Disc, by-pass	4.68	5.24
25	R36004	1	Spring, by-pass	4.68	5.24
26	R36021	1	Adjustment screw	1.19	1.33
27	R36033	1	Retainer bar, long, R211100	5.86	6.56
29	R22011	1	Threaded plug 2 in.	2.38	2.67
30	R22010	1	Threaded plug 1-1/2 in.	2.06	2.31
32	R36046	2	Gasket, Baker Hydro ring	4.85	5.43

