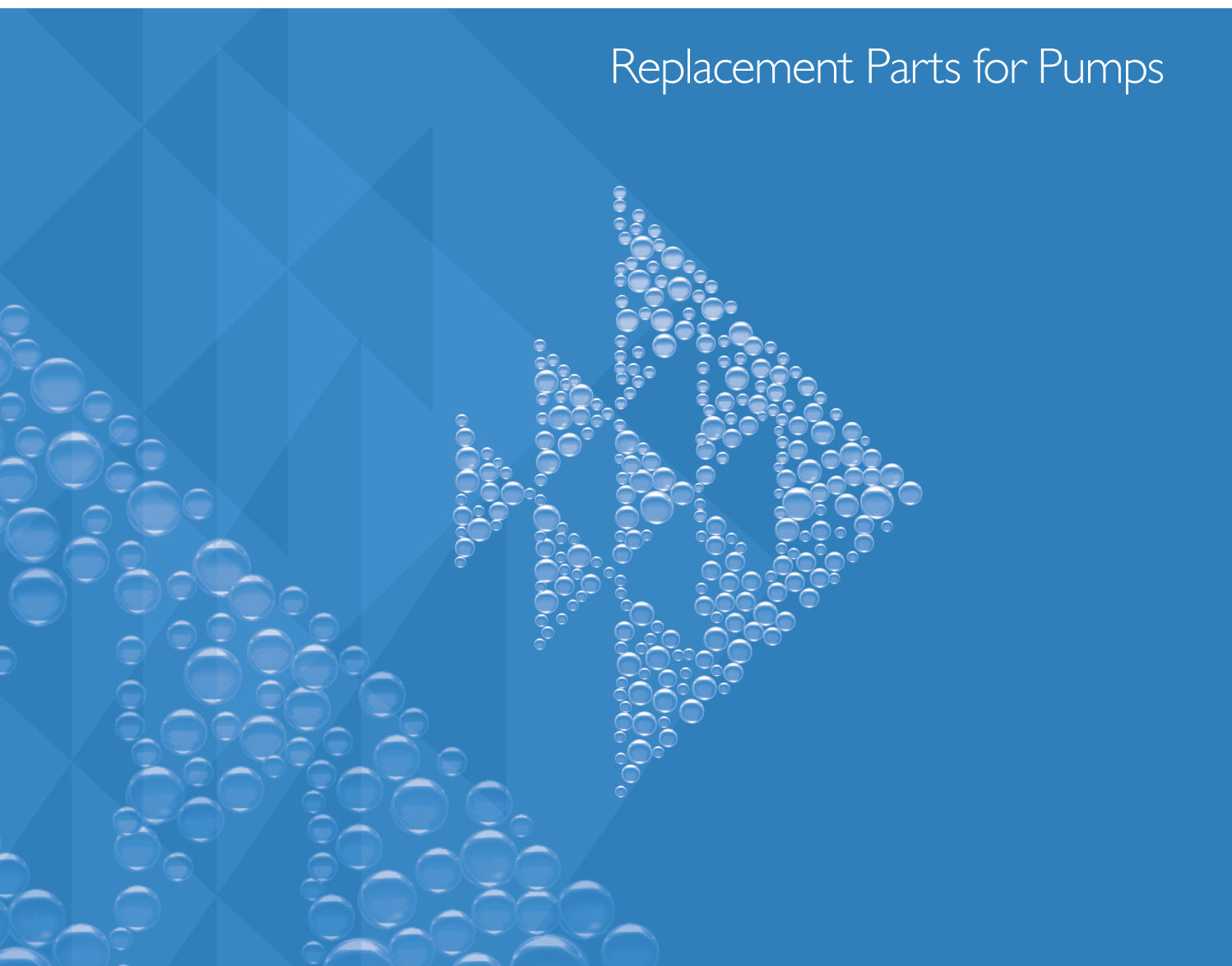


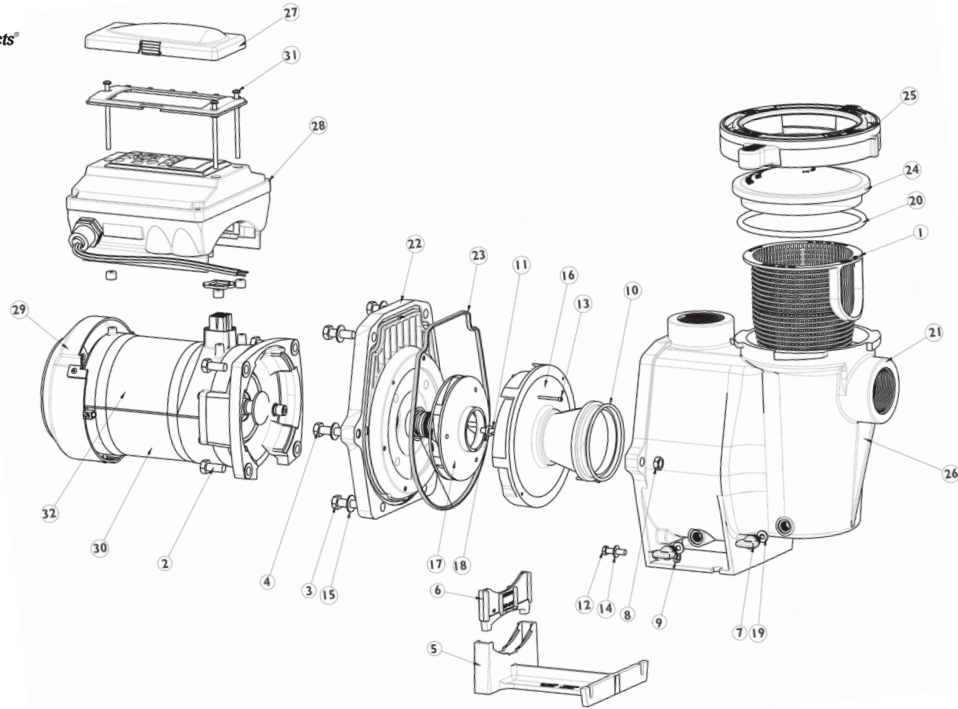


Pump Parts

Replacement Parts for Pumps



IntelliFlo® VF Pump Replacement Parts



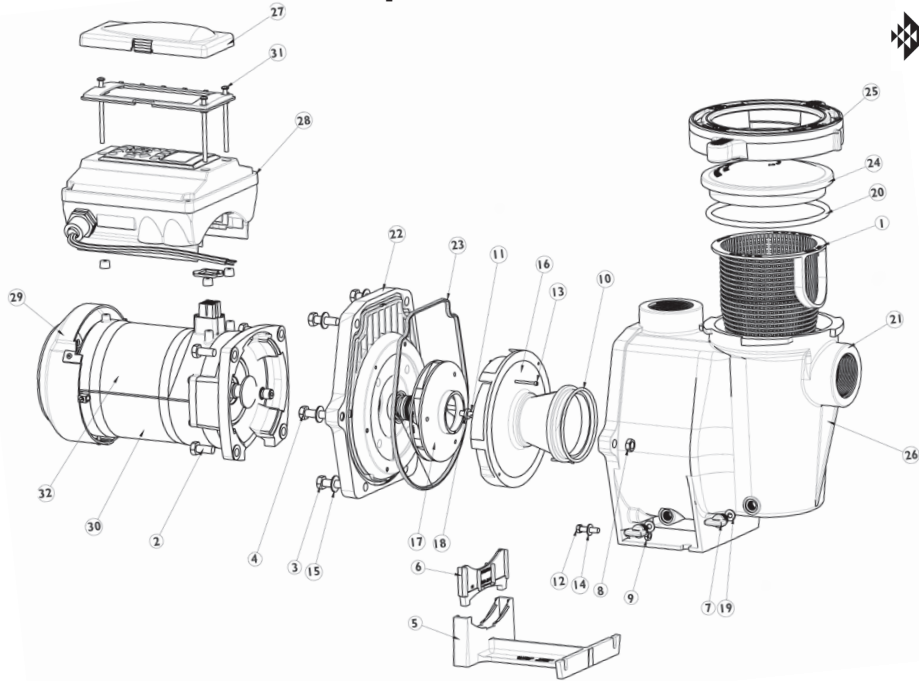
Item	Part No.	Description	US List	Can. List
INTELLIFLO VF PUMP				
1	070387	Basket WF	15.29	17.12
2	070429	Bolt, hex HD, 2-56 x .875 S/S, 4 req.	2.19	2.45
3	070430	Bolt, 3/8, 16 x 1-1/4 hex cap 18-8 S/S, 4 req.	1.99	2.23
4	070431	Bolt, 3/8-16 x 2 hex cap 18-8 S/S, 2 req.	2.19	2.45
5	070927	Foot WF, pump motor support, almond	30.52	34.18
6	070929	Foot insert WF pump, almond	15.29	17.12
7	071131	Plug drain WFE, almond, 2 req.	4.89	5.48
8	071403	Nut, 3/8, 16 brass nickel plated, 2 req.	1.24	1.39
9	071406	Nut, 1/4, 20 hex S/S, 2 req.	1.24	1.39
10	355227	O-ring #238, 3.48 x .139 buna N 70	2.60	2.91
11	071652	Screw, 1/4, 20 x 1 LH phillips pan MS 18-8 S/S, 1 req.	2.07	2.32
12	071657	Screw, 1/4, 20 x 1 in. hex cap 18-8 S/S, 2 req.	1.24	1.39
13	071660	Screw set, 4-40 x 1-1/8 WFE sckt cap 18-8 S/S, 2 req.	2.60	2.91
14	072183	Washer, flat 1/4 x 5/8 20GA thick 18-8 S/S, 2 req.	1.24	1.39
15	072184	Washer, 3/8 ID x 7/8 OD .05 thick 18-8 S/S, 6 req.	1.24	1.39
16	072928	Diffuser assembly, black	72.31	80.99
17	073131	Impeller	79.42	88.95
18	075713	Rubber washer WFE pump, 1 req.	1.24	1.39
19	192115	O-ring 112, .487 x .103 buna -N 70, 2 req.	1.00	1.12
20	350013	O-ring lid CH/WF 2-436, 1 req.	2.45	2.74
21	350015	Housing WFE, almond	181.61	203.40
22	350201	Seal plate kit, WFE, almond (Includes mechanical seal installed)	163.44	183.05
22	350202	Seal plate kit, almond w/ gasket (Includes mechanical seal installed and seal plate gasket)	160.22	179.45
23	357102	Almond Gasket for Seal plate ²	4.97	5.57

Item	Part No.	Description	US List	Can. List
23	357100	Black Gasket for Seal plate ¹	4.60	5.15
24	357151	Lid, see thru WF	28.57	32.00
24	357156	Lid, Chemical Resistant	53.86	60.32
25	357199	Clamp cam & ramp WF, almond	37.95	42.50
26	357243	Pot assy., almond (contains 1, 7 (qty. 2), 19 (qty. 2), 20, 21, 24, 25)	380.01	425.61
27	350601	Control cover assy. kit, almond (contains cover assy., hardware/ gasket kit, instr.)	172.31	192.99
28	350721	Drive IntelliFlo VF assy. kit, almond (contains drive VF-3050, control cover assy.)	1136.36	1272.72
29	352401	Motor fan kit, almond (contains fan shroud, fan, hardware)	CALL	CALL
30	350105S	Motor VFD 3.2KW PMSM replacement, almond	738.89	827.56
31	350612	Hardware/gasket assy. kit (contains 3 screws, 3 spacer caps and drive gasket)	86.00	96.32
32	070112	Power end IntelliFlo VF, almond (contains items: 2, 4, 10, 11, 13, 15, 16, 17, 19, 22, 23, 28, 30)	2361.11	2644.44
NOT SHOWN				
	350122	50 ft. Communication Cable	134.59	150.74
	357149	Almond Volute/Seal plate Replacement Kit (Items 1, 7 (Qty 2), 19 (Qty 2), 20, 21, 22, 23, 24, 25,	238.95	267.62
	350202	Seal Plate Kit with Gasket (Items 22 & 23)	160.22	179.45

¹ Used on pumps manufactured after 2/1/08.

² Used on pumps manufactured before 2/1/08.

IntelliFlo® VS 3050 & VS + SVRS Pump Replacement Parts



Item	Part No.	Description	US List	Can. List
INTELLIFLO VS 3050 & INTELLIFLO VS + SVRS				
1	070387	Basket WF	15.29	17.12
2	070429	Bolt hex HD, 2-56 x .875 S/S, 4 req.	2.19	2.45
3	070430	Bolt, 3/8-16 x 1-1/4 hex cap 18-8 S/S, 4 req.	1.99	2.23
4	070431	Bolt, 3/8-16 x 2 hex cap 18-8 S/S, 2 req.	2.19	2.45
5	070927	Foot WF, pump motor support, almond	30.52	34.18
6	070929	Foot insert WF pump, almond	15.29	17.12
7	071131	Plug drain WFE, almond, 2 req.	4.89	5.48
8	071403	Nut, 3/8-16 brass nickel plated, 2 req.	1.24	1.39
9	071406	Nut, 1/4-20 hex S/S, 2 req.	1.24	1.39
10	355227	O-ring #238, 3.484 x .139, buna N 70	2.60	2.91
11	071652	Screw, 1/4, 20 x 1 LH phillips pan MS 18-8 S/S, 1 req.	2.07	2.32
12	071657	Screw, 1/4-20 x 1 in. hex cap 18-8 S/S, 2 req.	1.24	1.39
13	071660	Screw set, 4-40 x 1-1/8 WFE sckt cap 18-8 S/S, 2 req.	2.60	2.91
14	072183	Washer, flat 1/4 x 5/8 20GA thick 18-8 S/S, 2 req.	1.24	1.39
15	072184	Washer, 3/8 ID x 7/8 OD .05 thick 18-8 S/S, 6 req.	1.24	1.39
16	072928	Diffuser assembly I2, black	72.31	80.99
17	073131	Impeller, IntelliFlo	79.42	88.95
18	175713	Rubber washer, WFE pump, 1 req..	CALL	CALL
19	192115	O-ring I12, .487 x .103 buna -N 70, 2 req.	1.00	1.12
20	350013	O-ring lid CH/WF 2-436, 1 req.	2.45	2.74
21	350015	Housing WFE, almond	181.61	203.40
22	350201	Seal plate kit, WFE, almond (Includes mechanical seal installed)	163.44	183.05
22	350202	Sealplate Kit, Almond w/ gasket (includes mechanical seal installed and seal plate gasket)	160.22	179.45
23	357102	Almond Gasket for Seal plate ²	4.97	5.57
23	357100	Black Gasket for Seal plate ¹	4.60	5.15

Item	Part No.	Description	US List	Can. List
24	357151	Lid, see thru WF.	28.57	32.00
24	357156	Lid, Chemical Resistant	53.86	60.32
25	357199	Clamp cam & ramp WF, almond	37.95	42.50
26	357243	Pot WF assy., almond (contains 1, 7 (qty. 2), 19 (qty. 2), 20, 21, 24, 25)	380.01	425.61
27	350601	Control cover assy. kit, almond (contains cover assy., hardware/gasket kit, instr.)	172.31	192.99
28	350921	Drive VS-3050 assy. kit, almond (contains drive VS-3050, control cover assy.) ³	1120.58	1255.05
28	351021	Drive, IntelliFlo VS + SVRS Assembly Kit (Contains Drive VS and Control Cover Assembly)		Pump Serial Number required for ordering this part
29	352401	Motor fan kit, almond (contains fan, shroud, hardware).	CALL	CALL
30	350105S	Motor VFD 3.2KW PMSM replacement, almond	738.89	827.56
31	350612	Hardware/gasket assy. kit (contains 3 screws, 3 spacer caps and drive gasket)	86.00	96.32
32	070114	Power end IntelliFlo VS 3050, almond (contains items 2, 4, 10, 11, 13, 15, 16, 17, 19, 22, 23, 28, 30) ³	1952.90	2187.25
32	070117	Power end IntelliFlo VS + SVRS (Contains items 2, 4, 10, 11, 13, 15, 16, 17, 19, 22, 23, 28, 30)	CALL	CALL
NOT SHOWN				
	350122	50 ft. Communication Cable	134.59	150.74
	357149	Almond Volute/Seal plate Replacement Kit (Items 1, 7 (Qty 2), 19 (Qty 2), 20, 21, 22, 23, 24, 25,	238.95	267.62
	350202	Seal Plate Kit with Gasket (Items 22 & 23)	160.22	179.45
	350621	Junction Box Cover - Almond	78.57	88.00

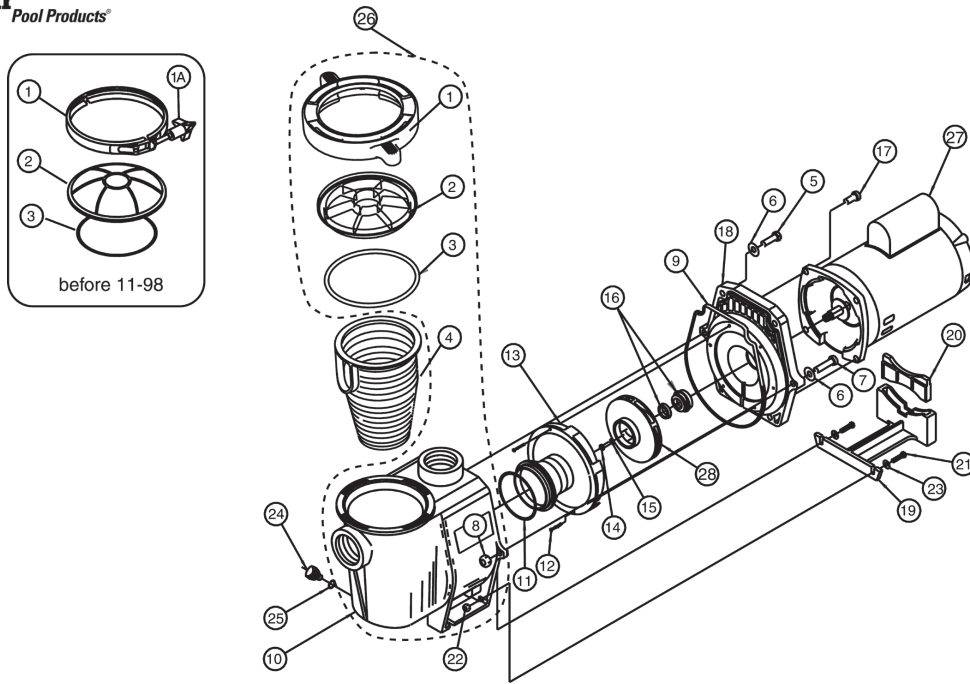
¹ Used on pumps manufactured after 2/1/08.

² Used on pumps manufactured before 2/1/08.

³ Contact factory for IntelliFlo VS + SVRS.

WhisperFlo® Pump

Replacement Parts for Swimming Pool Pumps



Item	Part No.	Description	US List	Can. List
WHISPERFLO PUMPS				
1	070711	Clamp band assembly, SS, WF/AQ ⁵ (old style)	70.25	78.68
1	357150	Clamp, Cam & Ramp™, plastic, black, WF ⁷	37.95	42.50
1	357199	Clamp, Cam & Ramp, plastic, almond, WF ⁸	37.95	42.50
1A	071136Z	Knob, only ⁵	CALL	CALL
2	070795	Cover, clear, AQ/WFE pump ⁵ (old style)	39.73	44.50
2	357151	Cover, clear, WFE pump ⁶	28.57	32.00
2	357156	Cover, chemical resistant Cam & Ramp	53.86	60.32
3	071422	O-ring, AQ/WFE cover ⁵	5.50	6.16
3	350013	O-ring, WFE cover ⁶	2.45	2.74
4	070387	Basket	15.29	17.12
5	070430	Bolt, 3/8, 16 x 1-1/4 hex hd. SS, 4 req.	1.99	2.23
6	072184	Washer, 3/8 x 13/16 o.d. SS, 6 req.	1.24	1.39
7	070431	Bolt, 3/8, 16 x 1-3/4 hex hd. SS, 2 req.	2.19	2.45
8	071403	Nut, 3/8, 16 hex hd., 2 req.	1.24	1.39
9	071445	O-ring parker No.2-265, WFE pump ^{1,4}	13.72	15.37
9	357100	Black Gasket for Seal Plate ¹⁴	4.60	5.15
9	357102	Almond Gasket for Seal Plate ¹⁵	4.97	5.57
10	357149	Volute & Sealplate, Almond Replacement Kit ⁶	238.95	267.62
10	350015	Volute, almond ⁶	181.61	203.40
10	357157	Volute, black ⁹	181.61	203.40
11	355227	O-ring parker No.2-238, WFE pump	2.60	2.91
12	071660	Set screw, 4-40 x 1-1/8 WFE, 2 req.	2.60	2.91
13	072928	Diffuser assembly, WFE-12, 3 HP only	72.31	80.99
13	072927	Diffuser assembly, WFE-2-8, 1/2 HP - 2-1/2 HP	60.49	67.75
14	071652	Set screw, 1/4, 20 x 1 lh. phillips	2.07	2.32

15	075713	Rubber washer, WFE pump	1.24	1.39
16	071734S	Seal PA-7 w/ceramic seat, PSI000	24.12	27.01
17	070429	Bolt, 3/8, 16 x 7/8 SS hex hd., 4 req.	2.19	2.45
18	350202	Seal Plate Kit, Almond with Gasket (Includes Mechanical Seal Installed and Seal Plate Gasket) Items 9, 16 & 18	160.22	179.45
18	350201	Seal Plate Kit WFE Almond (Includes Mechanical Seal installed) Items 16 & 18	163.44	183.05
18	350101	Seal Plate Kit WFE Black (Includes Mechanical Seal installed) Items 16 & 18	CALL	CALL
19	070927	Foot, WFE-4 pump, almond	30.52	34.18
19	357159	Foot, black ⁹	30.52	34.18
20	070929	Foot insert, WFE pump, almond	15.29	17.12
20	357160	Foot insert, WFE pump, black ⁹	15.29	17.12
21	071657	Screw, 1/4, 20 x 1 in. hh. SS, 2 req.	1.24	1.39
22	071406	Nut, 1/4, 20 hex. hd. SS, 2 req.	1.24	1.39
23	072183	Washer, flat 1/4 x 5/8, 2 req.	1.24	1.39
24	071131	Knob plug drain, 2 req. almond	4.89	5.48
24	357161	Knob plug drain, 2 req., black ⁹	3.19	3.57
25	192115	O-Ring drain plug, 2 req.	1.00	1.12
26	357149	Almond Volute/Seal plate replacement kit ⁶	238.95	267.62
MOTORS				
27	071313S	3/4 HP, 60 Hz, WFE-2, 3 & 24, 2 l sp, almond 9 lbs. ³	290.91	325.82
27	071314S	1 HP, 60 Hz, WFE-4 & 26, 1 sp, almond, 33 lbs. ³	315.89	353.80
27	071315S	1-1/2 HP, 60 Hz, WFE-6 & 28, 1 sp, almond 39 lbs. ³	372.09	416.74
27	071316S	2 HP, 60 Hz, WFE-8 & 30, 1 sp, almond 40 lbs. ³	443.33	496.53

WhisperFlo® Pump (Cont'd)

Replacement Parts



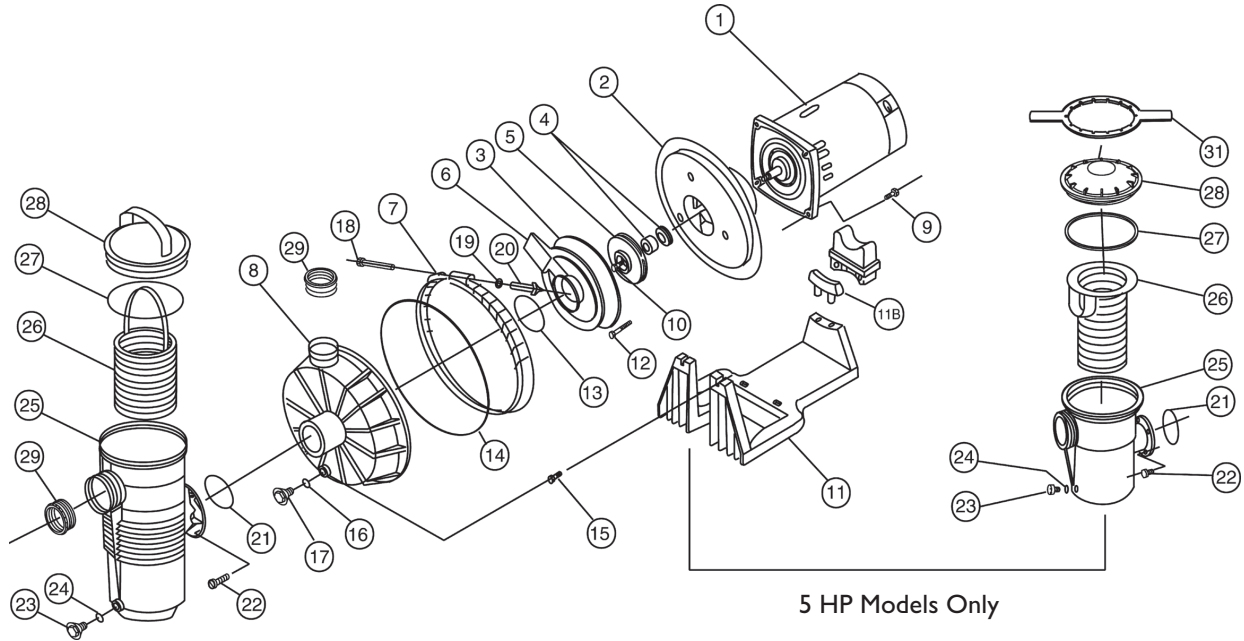
Item	Part No.	Description	US List	Can. List
MOTORS				
27	071317S	3 HP, 60 Hz, WFE-12, 1 sp, almond 40 lbs. ³	579.31	648.83
27	356630S	1 HP, 2 sp., WFDS-4 & 26, 34 lbs. ¹¹	407.43	456.32
27	071320S	1-1/2 HP, 2 sp., WFDS-6 & 28, 36 lbs. ¹¹	493.30	552.50
27	071321S	2 HP, 2 sp., WFDS-8 & 30, 45 lbs. ¹¹	616.68	690.68
27	075232S	1/2 HP, WF-2, 23, 1 sp, almond, 39 lbs. ¹⁰	240.09	268.90
27	075233S	3/4 HP, WF-3, 24, 1 sp, almond, 26 lbs. ¹⁰	272.30	304.98
27	075234S	1 HP, WF-4, 26, 1 sp, almond, 28 lbs. ¹⁰	302.72	339.05
27	075235S	1-1/2 HP, WF-6, 28, 39 lbs. ¹⁰	375.08	420.09
27	075236S	2 HP, WF-8, 30, 32 lbs. ¹⁰	443.02	496.18
27	075237S	3 HP, 1 sp, WF-12, 1 sp, almond, 40 lbs. ¹⁰	576.42	645.59
27	355203S	WFK-4 motor, 28 lbs., 3 ph, 1 sp, black	351.59	393.78
27	355204S	WFK-6 motor, 30 lbs., 3 ph, 1 sp, black	438.58	491.21
27	355205S	WFK-8 motor, 37 lbs., 3 ph, 1 sp, black	487.72	546.25
27	355398S	WFK-12 motor, 35 lbs., 3 ph, 1 sp, black	590.39	661.24
27	356626S	1 HP, 3 ph, 1 sp, sq. flg. almond	351.59	393.78
27	356627S	1.5 HP, 3 ph, 1 sp, sq. flg. almond	437.17	489.63
27	356628S	2 HP, 3 ph, 1 sp, sq. flg. almond	487.72	546.25
27	356629S	3 HP, 3 ph, 1 sp, sq. flg. almond	590.39	661.24
27	356630S	1 HP, 1.5A, 2 spd., 1 ph, 1 sp, sq. flg., almond	407.43	456.32
IMPELLERS				
28	073126	Impeller (WF-2, WF-23, WFE-2, WFK-2)	79.42	88.95
28	073127	Impeller (WFE-3, WFE-24, WF-3, WF-24, WFK-3, WFDS-3, WFDS-24)	79.42	88.95
28	073128	Impeller (WFE-4, WFE-26, WF-4, WF-26, WFK-4, WFDS-4, WFDS-26)	79.42	88.95
28	073129	Impeller (WF-6, WF-28, WFE-6, WFE-28, WFK-6, WFDS-6, WFDS-28)	79.42	88.95
28	073130	Impeller (WF-8, WF-30, WFE-8, WFE-30, WFK-8, WFDS-8, WFDS-30)	79.42	88.95
28	073131	Impeller (WFE-12, WF-12)	79.42	88.95
POWER END SUBASSY. INCLUDES ITEMS No. 12 THRU 18, 27, 28				
	072521	WF-2, WF-23	30.99	34.71
	075145	WFDS-3, WFDS-24	1008.67	1129.71
	075136	WFE-2	791.54	886.52
	075137	WFE-3, WFE-24 ³	799.59	895.54
	075138	WFE-4, WFE-26 ³	851.23	953.38
	075139	WFE-6, WFE-28 ³	997.31	1116.99
	075140	WFE-8, WFE-30 ³	1146.92	1284.55
	075141	WFE-12 ³	1423.68	1594.52
	075142	WFDS-4, WFDS-26 ¹¹	1051.69	1177.89
	075143	WFDS-6, WFDS-28 ¹¹	1228.80	1376.26
	075144	WFDS-8, WFDS-30 ¹¹	1494.96	1674.36
	075252	WF-3, WF-24 ¹⁰	783.25	877.24
	075253	WF-4, WF-26 ¹⁰	827.28	926.55
	075254	WF-6, WF-28 ¹⁰	981.71	1099.52
	075255	WF-8, WF-30 ¹⁰	1128.28	1263.67
	075256	WF-12 ¹⁰	1414.13	1583.83

Item	Part No.	Description	US List	Can. List
FLUID ENDS-ALL PARTS, W/O MOTOR				
	075452	WFE-3 fluid end, 3/4 HP	623.97	698.85
	075453	WFE-4 fluid end, 1 HP	612.23	685.70
	075454	WFE-6 fluid end, 1-1/2 HP	617.96	692.12
	075455	WFE-8 fluid end, 2 HP	612.62	686.13
	075456	WFE-12 fluid end, 3 HP	610.59	683.86
NOT SHOWN				
	79129900	2-Speed Toggle Switch	38.83	43.49
	350202	Seal Plate Kit: Seal plate (almond), Gasket (black), with installed Seal (Includes items 9, 16, & 18)	160.22	179.45
	350203	Seal Plate Kit: Seal plate (black), Gasket (black), with installed Seal (Includes items 9, 16, & 18)	160.22	179.45
	357243	Pot Assembly, Almond NPT. (Includes items 1-4, 10, 24 (qty. 2), 25 (qty. 2))	380.01	425.61
	357244	Pot Assembly, Black NPT. (Includes items 1-4, 10, 24 (qty. 2), 25 (qty. 2))	CALL	CALL

- ¹ Used on pumps manufactured before 6-94.
- ² Used on pumps manufactured after 6-94.
- ³ Energy efficient single phase.
- ⁴ Pumps manufactured before 11-98 require a volute replacement kit (357149) when replacing items No.9-gasket, No.10-volute, or No.18-seal plate. This kit will update the pump to the new configuration using the "Cam and Ramp" lid design.
- ⁵ Used on pumps manufactured before 11-98.
- ⁶ Used on pumps manufactured after 11-98. Includes items 1-4, 9, 10, 16, 18, 24, 25.
- ⁷ Used on pumps manufactured between 11-98 thru 12-17-99.
- ⁸ Used on pumps manufactured after 12-17-99.
- ⁹ CSA/CUL (only) for Canada.
- ¹⁰ Standard efficiency, single phase.
- ¹¹ Two Speed, single phase.
- ¹² Includes items 16 & 18.

Challenger® High Flow Pump

Replacement Parts for Swimming Pool Pumps



Item	Part No.	Description	US List	Can. List
CHALLENGER HIGH FLOW PUMPS				
MOTORS				
I	355371S	1/2F, 1/4A std. sq. fig., 115/230, 25 lbs.	240.09	268.90
I	355339S	3/4F, 1A std. sq. fig., 115/230, 25 lbs.	272.30	304.98
I	355340S	1F, 1-1/2A std. sq. fig., 115/230, 28 lbs.	302.72	339.05
I	355342S	1-1/2F, 2A std. sq. fig., 230 only, 32 lbs.	375.08	420.09
I	355702S	2F, 2-1/2A std. sq. fig., 230 only, 32 lbs.	443.02	496.18
I	355703S	3F std. sq. fig. 230 only	576.36	645.52
I	355391S	3/4FE, 1AE sq. fig. 115/208/230, 32 lbs.	290.91	325.82
I	355392S	1FE, 1-1/2AE sq. fig. 115/208/230, 34 lbs.	315.89	353.80
I	355393S	1-1/2FE, 2AE sq. fig. 208/230, 30 lbs.	384.53	430.67
I	355394S	2FE, 2-1/2AE sq. fig. 208/230, 36 lbs.	458.31	513.31
I	355395S	3FE, 1 ph sq. fig. 208/230, 40 lbs.	579.31	648.83
I	355398S	3FE, 3 ph sq. fig. 208/230/460, 22 lbs., black	590.39	661.24
I	355375S	3/4F, 1A std. sq. fig. 2 sp. 115 only, 28 lbs.	396.04	443.56
I	355232S	3/4F, 1A std. sq. fig. 2 sp. 230 only, 28 lbs.	359.79	402.96
I	355376S	1F, 1-1/2A std. sq. fig. 2 sp. 230 only, 33 lbs., black	407.43	456.32
I	355377S	1-1/2F, 2A std. sq. fig. 2 sp. 230 only, 36 lbs.	493.26	552.45
I	355378S	2F, 2-1/2A std. sq. fig. 2 sp. 230 only, 39 lbs.	616.63	690.63
I	355704S	5FE, 3 ph, 5 HP, 230/460 sq. fig. only	717.63	803.75

Item	Part No.	Description	US List	Can. List
I	355705S	5FE, 1 ph, 5 HP	723.00	809.76
I	355201S	3/4 HP, 3 ph sq. fig. CHII-NI	310.47	347.73
I	355203S	1 HP, 3 ph sq. fig. CHII-NI	351.59	393.78
I	355204S	1-1/2 HP, 3 ph sq. fig. CHII-NI	438.58	491.21
I	355205S	2 HP, 3 ph sq. fig. CHII-NI	487.72	546.25
2	355004	Plate, seal, black (all models except 5HP)	80.86	90.56
2	355497	Plate, seal 5F, black (5HP only)	80.86	90.56
2	355528	Plate, seal (almond)	116.06	129.99
3	355028	Plate, mounting 1/2F, 3/4F, 3/4A, 1A	18.85	21.11
3	355078	Plate, mounting 1F, 1-1/2F, 1-1/2A, 2A	11.86	13.28
3	355095	Plate, mounting 2F, 2-1/2A	20.47	22.93
3	355495	Plate, mounting 5F	10.95	12.26
4	354545S	Seal, 5/8 in. mechanical	22.77	25.50
5	355043	Impeller, 1/2F, 3/4A	43.29	48.48
5	355067	Impeller, 3/4F, 1A	44.15	49.45
5	355074	Impeller, 1F, 1-1/2A	44.69	50.05
5	355086	Impeller, 1-1/2F, 2A	44.99	50.39
5	355093	Impeller, 2F, 2-1/2A	45.81	51.31
5	355068	Impeller, 3F 50 Hz/5F 60 Hz	44.15	49.45
6	355029	Diffuser, 1/2F, 3/4F, 3/4A, 1A	32.17	36.03
6	355077	Diffuser, 1F, 1-1/2F, 1-1/2A, 2A	32.17	36.03
6	355094	Diffuser, 2F, 2-1/2A	34.48	38.62
6	355069	Diffuser, 3F, 50 Hz/5F 60 Hz	29.76	33.33
7	355320	Band clamp assembly, complete	68.93	77.20

Challenger® High Flow Pump (Cont'd)

Replacement Parts



Item	Part No.	Description	US List	Can. List
CHALLENGER HIGH FLOW PUMPS				
8	355468	Housing, front, black ⁴	118.00	132.16
8	355469	Housing, front, almond ⁴	118.00	132.16
9	354290	Screw, 3/8 in., 16 hex hd., 4 req.	2.11	2.36
10	355389	Screw, impeller locking	1.24	1.39
11	355305	Base, pump ¹	39.35	44.07
11B	355385	Adapter, 5-5/8 in. dia. motor ²	10.05	11.26
12	355334	Screw, No.8, 32 hex wsh. hd., 3 req.	1.24	1.39
13	355030	O-ring, diffuser (all except 5 HP)	7.45	8.34
13	355331	O-ring diffuser, 5 HP only	1.33	1.49
14	355329	O-ring, front housing	13.35	14.95
15	355335	Screw, 5/16, 18 x 1/2 in. SS hex hd., 2 req.	1.24	1.39
16	192115	O-ring, drain plug	1.00	1.12
17	154699	Plug, 1/4 in. drain	CALL	CALL
18	152060	Bolt, 5/16, 18 x 4 in. carriage ²	8.52	9.54
19	072173	Washer, 5/16 in. SS flat	1.40	1.57
20	174882	Knob (fits clamp w/removable bolt only)	27.99	31.35
20	175025	Knob (fits clamp w/captured T-bolt only)	27.99	31.35
21	355330	O-ring, strainer pot flange	1.40	1.57
22	354265	Screw, 5/16, 18 hex wsh. hd., 4 req.	1.70	1.90
23	154699	Plug, 1/4 in. drain	CALL	CALL
24	192115	O-ring, drain plug	1.00	1.12
25	355300	Strainer, pot, black ³	116.33	130.29
25	355900	Strainer, pot, 5F 3 in. suction for all large strainer pot models, black	416.65	466.65
26	355318	Basket, plastic strainer	32.65	36.57
26	355441	Basket, SS Strainer (3F Only)	150.37	168.41
26	355901	Basket, SS strainer, 5F	325.98	365.10
27	350013	O-ring, lid	2.45	2.74
27	152509	Square ring, 8-1/2 in. (5 HP only)	5.83	6.53
28	355301	Lid, strainer pot	51.22	57.37
28	354112	Lid, strainer pot, chemical resistant	51.22	57.37
28	355902	Lid, strainer pot, 5F, clear	59.41	66.54
28	355914	Lid, strainer pot, 5F, black, chemical resistant	49.97	55.97
29	552377	Bushing, reducer 1/2F, 3/4F, 3/4A, 1A, 2 req.	11.38	12.75
31	154527	Wrench, 8-1/2 in.	23.32	26.12

Item	Part No.	Description	US List	Can. List
POWER END ASSEMBLIES (INCLUDES ITEMS 1-6, 9, 12 AND 13)				
	355636	CF-NI-1/2F, 3/4A std., 115/230	785.07	879.28
	355637	CF-NI-3/4F, 1A std., 115/230	850.53	952.59
	355638	CF-NI-1F, 1-1/2A std., 115/230	911.41	1020.78
	355520	CF-NI-1-1/2F, 2A std., 230 only	1073.68	1202.52
	355984	CF-NI-3/4FE, IAE 115/208/230	875.13	980.15
	355985	CF-NI-1FE, 1-1/2AE 115/208/230	1010.95	1132.26
	355639	CF-NI-1-1/2FE, 2AE 208/230	1078.32	1207.72
	355986	CF-NI-2FE, 2-1/2AE 208/230	1366.93	1530.96
	355640	CF-N2-3/4F, 1A 2 sp. std., 115 only	1094.95	1226.34
	355641	CF-N2-1F, 1-1/2A 2 sp. std., 230 only	1125.53	1260.59
	355642	CF-N2-1-1/2F, 2A 2 sp. std., 230 only	1306.10	1462.83
	355987	CF-N2-2F, 2-1/2A 2 sp. std., 230 only	1553.34	1739.74
	345211	CFII-NI-5FE, power end	1562.32	1749.80
	345301	CFII-NI-5F, 3 ph, power end	1490.73	1669.62
NOT SHOWN				
	355309	Union kit	87.19	97.65
	357391	Pot Assembly, Black with SS basket (3F Only) Includes items 23-28	548.53	614.35
	359507	Pot Assembly, Black with plastic bracket (all models except 3F and 5F) Includes items 23-28.	205.31	229.95

- ¹ Pump base (item 11) includes dual radius motor support adapter (item 11B) which fits both 5-5/8 in. & 6-1/2 in. dia. motors.
- ² Item 18, carriage bolt is a replacement part for old style clamp band assembly (item 7).
- ³ Includes items 23 & 24.
- ⁴ Includes items 16 & 17.

Note: Challenger booster pumps consist of 1-20.

Note: Challenger pumps consist of all items except No.15.

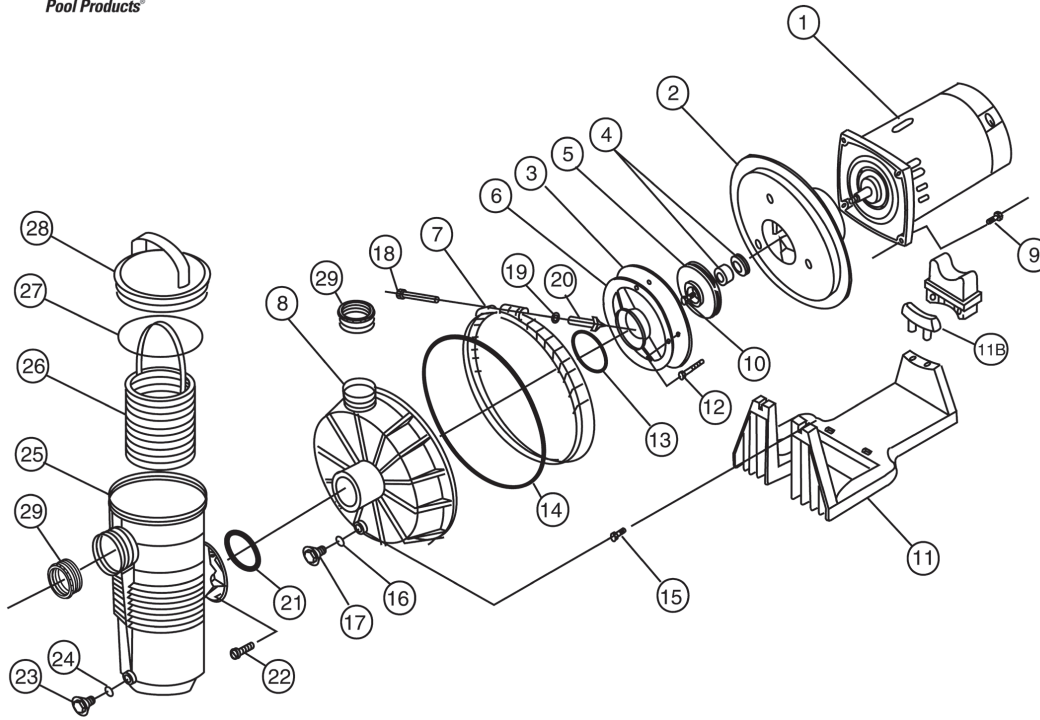
Note: When ordering replacement motor, give all information on motor name plate.

Product on pages 148-149.

Replacement baskets on page 125.

Challenger® High Pressure Pump

Replacement Parts for Swimming Pool Pumps



Item	Part No.	Description	US List	Can. List
CHALLENGER HIGH PRESSURE PUMPS				
MOTORS				
I	355371S	1/2F, 3/4A std. sq. flg., 115/230, 25 lbs.	240.09	268.90
I	355339S	3/4F, 1A std. sq. flg., 115/230, 25 lbs.	272.30	304.98
I	355340S	1F, 1-1/2A std. sq. flg., 115/230, 28 lbs.	302.72	339.05
I	355342S	1-1/2F, 2A std. sq. flg., 230 only, 32 lbs.	375.08	420.09
I	355702S	2F, 2-1/2A std. sq. flg., 230 only, 32 lbs.	443.02	496.18
I	355703S	3F std. sq. flg., 230 only	576.36	645.52
I	355391S	3/4FE, 1AE sq. flg., 115/208/230, 32 lbs.	290.91	325.82
I	355392S	1FE, 1-1/2AE sq. flg., 115/208/230, 34 lbs.	315.89	353.80
I	355393S	1-1/2FE, 2AE sq. flg., 208/230, 30 lbs.	384.53	430.67
I	355394S	2FE, 2-1/2AE sq. flg., 208/230, 36 lbs.	458.31	513.31
I	355395S	3FE, 1 ph sq. flg., 208/230, 40 lbs.	579.31	648.83
I	355398S	3FE, 3 ph sq. flg., 208/230/460, 35 lbs.	590.39	661.24
I	355375S	3/4F, 1A std. sq. flg., 2 sp. 115 only, 28 lbs.	396.04	443.56
I	355376S	1F, 1-1/2A std. sq. flg., 2 sp. 230 only, 33 lbs.	407.43	456.32
I	355377S	1-1/2F, 2A std. sq. flg., 2 sp. 230 only, 36 lbs.	493.26	552.45
I	355378S	2F, 2-1/2A std. sq. flg., 2 sp. 230 only, 39 lbs.	616.63	690.63
2	355004	Plate, seal	80.86	90.56

Item	Part No.	Description	US List	Can. List
3	355384	Plate, mounting 1/2F, 3/4A	24.14	27.04
3	355317	Plate, mount 3/4F thru 3F, 1A thru 2-1/2A	11.86	13.28
4	354545S	Seal, 5/8 in. mechanical PS 200	22.77	25.50
5	355147	Impeller, 1/2F, 3/4A	43.29	48.48
5	355187	Impeller, 3/4F, 1A	44.15	49.45
5	355369	Impeller, 1F, 1-1/2A	44.81	50.19
5	355315	Impeller, 1-1/2F, 2A	44.99	50.39
5	355604	Impeller, 2F, 2-1/2A ¹	45.51	50.97
5	355544	Impeller, 3F	58.75	65.80
6	355148	Diffuser, 1/2F, 3/4A	26.38	29.55
6	355188	Diffuser, 3/4F, 1F, 1A, 11/2A	25.71	28.80
6	355270	Diffuser, 1-1/2F, 2A	26.58	29.77
6	355545	Diffuser, 3F, 2.5A, 2F ²	74.04	82.92
7	355320	Band, clamp assembly complete	68.93	77.20
8	355468	Housing, front, black	118.00	132.16
8	355469	Housing, front, almond	118.00	132.16
9	354290	Screw, 3/8 in., 16 SS hex hd.	2.11	2.36
10	355389	Screw, imp. locking	1.24	1.39
11	355305	Base, pump ³	39.35	44.07
11B	355385	Adapter, 5-5/8 in. dia. motor ⁴	10.05	11.26
12	355334	Screw, 8-32 x 1 in. SS hex wsh. hd., 3 req.	1.24	1.39
13	355331	O-ring, diffuser	1.33	1.49

Challenger® High Pressure Pump (Cont'd)

Replacement Parts



Item	Part No.	Description	US List	Can. List
CHALLENGER HIGH PRESSURE PUMPS				
14	355329	O-ring, front housing	13.35	14.95
15	355335	Screw, 5/16 in., 18 x 1/2 in. SS hex wsh. hd., 2 req.	1.24	1.39
16	192115	O-ring, drain plug	1.00	1.12
17	154699	Plug, 1/4 in. drain	CALL	CALL
18	152060	Bolt, 5/16 in., 18 x 4 in. carriage ⁵	8.52	9.54
19	072173	Washer, 5/16 in. SS flat	1.40	1.57
20	174882	Knob (fits clamp w/removable bolt only)	27.99	31.35
20	175025	Knob (fits clamp w/captured t-bolt only)	27.99	31.35
21	355330	O-ring, strainer pot flange	1.40	1.57
22	354265	Screw, 5/16 in., 18 x 3/4 in. SS hex wsh. hd., 4 req.	1.70	1.90
23	154699	Plug, 1/4 in. drain	CALL	CALL
24	192115	O-ring, drain plug	1.00	1.12
25	355300	Pot strainer	116.33	130.29
26	355318	Basket, plastic strainer (all except 3F)	32.65	36.57
26	355441	Basket, SS strainer (3F only)	150.37	168.41
27	350013	O-ring, lid	2.45	2.74
28	355301	Lid, strainer pot	51.22	57.37
28	354112	Lid, strainer pot chemical resistant	51.22	57.37
29	552377	Bushing, reducer 1/2F, 3/4F, 3/4A, 1A	11.38	12.75
POWER END ASSEMBLIES (INCLUDES ITEMS 1-6, 9, 10, 12 AND 13)				
	355670	CH-NI-1/2F, 3/4A std. power end 115/230	797.84	893.58
	355671	CH-NI-3/4F, 1A std. power end 115/230	845.21	946.64
	355672	CH-NI-1F, 1-1/2A std. power end 115/230	906.77	1015.58
	355669	CH-NI-11/2F, 2A std. power end 230 only	1067.95	1196.10
	355673	CH-NI-3/4FE, 1AE power end 115/208/230 ¹	918.93	1029.20

Item	Part No.	Description	US List	Can. List
	355674	CH-NI-1FE, 1-1/2AE power end 115/208/230 ¹	1010.95	1132.26
	355675	CH-NI-1-1/2FE, 2AE power end 208/230 ¹	1084.09	1214.18
	355676	CH-NI-2FE, 2-1/2AE power end 208/230 ¹	1366.93	1530.96
	355677	CH-NI-3FE, 1 ph power end 208/230 ¹	1803.41	2019.82
	355678	CH11-NI-3FE, 3 ph power end 208/230/460 ¹	1740.33	1949.17
	355679	CH-N2-3/4F, 1A 2 sp. std. power end 115 only	1089.65	1220.41
	355680	CH-N2-1F, 1-1/2A 2 sp. std. power end 230 only	1120.85	1255.35
	355681	CH-N2-1-1/2F, 2A 2 sp. std. power end 230 only	1311.87	1469.29
	355682	CH-N2-2F, 2-1/2A 2 sp. std. power end 230 only	1559.29	1746.40
NOT SHOWN				
	355302	Housing booster pump	163.26	182.85
	355309	Union Kit	87.19	97.65
	357391	Pot Assembly, Black with SS basket (3F Only) Includes items 23–28	548.53	614.35
	359507	Pot Assembly, Black with plastic bracket (all models except 3F and 5F) Includes items 23–28.	205.31	229.95

¹ Used on 2F, 2-1/2A pumps built after 10-1-92.

² Used on 2F, 2-1/2A pumps built prior to 10-1-92. Must replace w/both diffuser 355545 & impeller 355604.

³ Pump base, (item 11) includes dual radius motor support adapter (item 11B), which fits both 5-5/8 in. & 6-1/2 in. dia. motors.

⁴ Item 11A motor support is a replacement part that fits only older style pump bases with rectangular opening.

⁵ Carriage bolt (item 18) fits prev. style clamp band assembly (item 7).

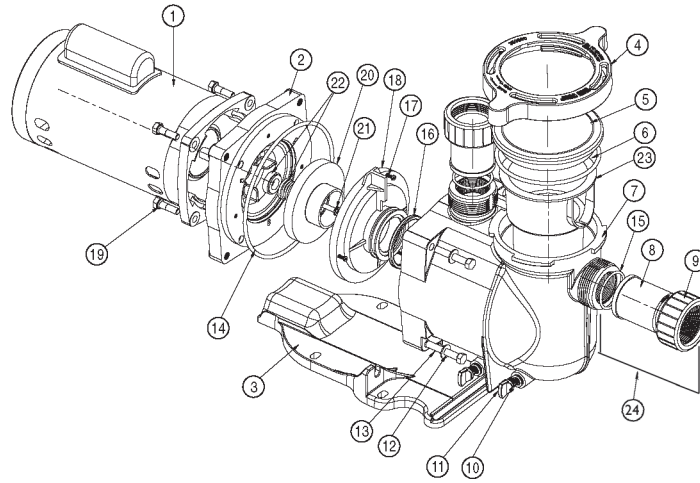
Note: Challenger booster pumps consist of items 1–20.

Note: Challenger pool pumps consist of all items except item 15.

Product on pages 150–151.

Replacement baskets on page 125.

SuperFlo® Pump Replacement Parts

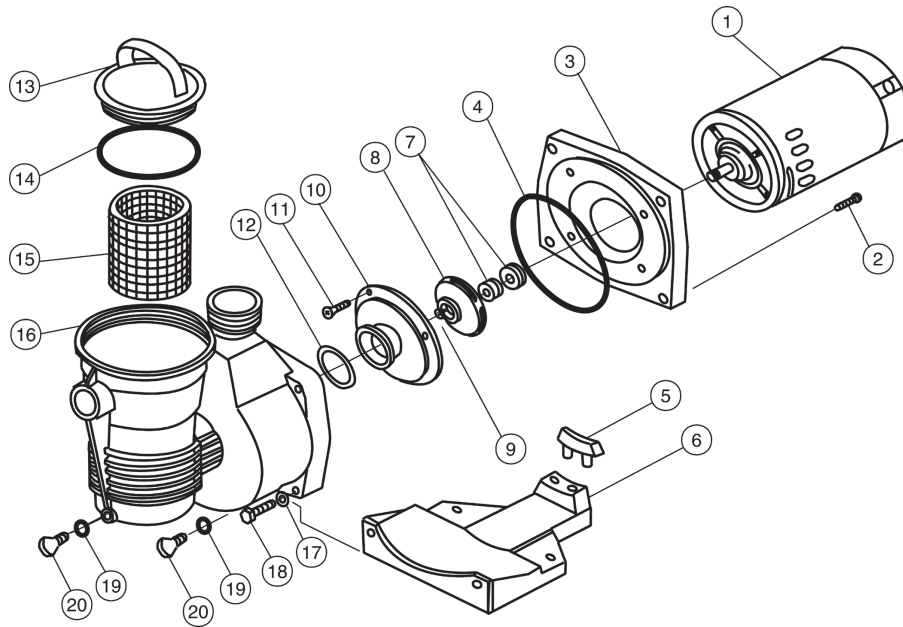


Item	Part No.	Description	US List	Can. List
SINGLE SPEED STANDARD SUPERFLO MOTORS				
1	075232S	1/2 HP Motor SQFL, 1 Speed, 1 phase, 60 Hz, 230/115V, almond	240.09	268.90
1	075232S	3/4 HP Motor SQFL, 1 Speed, 1 phase, 60 Hz, 230/115V, almond	240.09	268.90
1	075233S	1 HP Motor SQFL, 1 Speed, 1 phase, 60 Hz, 230/115V, almond	272.30	304.98
1	075234S	1-1.2 HP Motor SQFL, 1 Speed, 1 phase, 60 Hz, 230/115V, almond	302.72	339.05
1	075235S	2 HP Motor SQFL, 1 Speed, 1 phase, 60 Hz, 230/115V, almond	375.08	420.09
1	075236S	2-1/2 HP Motor SQFL, 1 Speed, 1 phase, 60 Hz, 230V, almond	443.02	496.18
DUAL SPEED SUPERFLO MOTORS				
1	355003S	1 HP Motor SQFL, 2 Speed, 1 phase, 60 Hz	359.79	402.96
1	356630S	1-1/2 HP Motor SQFL, 2 Speed, 1 phase, 60 Hz	407.43	456.32
1	071320S	2 HP Motor SQFL, 2 Speed, 1 phase, 60 Hz	493.30	552.50
ENERGY EFFICIENT SUPERFLO MOTORS				
1	071313S	SF-NI-1-AE	290.91	325.82
1	071314S	SF-NI-1-1/2 -AE	315.89	353.80
1	071315S	SF-NI-2-AE	372.09	416.74
1	071316S	SF-NI-2-1/2 -AE	443.33	496.53
SUPERFLO PUMPS				
2	356012	Seal plate	92.19	103.25
3	350094	Base	76.56	85.75
4	350090	Clamp, Cam & Ramp®	32.20	36.06
5	350091	Lid	25.84	28.94
6	357255	O-ring, lid No. 2-357	4.39	4.92
7	350089	Volute	233.99	262.07
8	350093	Adaptor, 2 req.	14.46	16.20
9	350092	Nut, 2 req.	15.51	17.37

Item	Part No.	Description	US List	Can. List
10	192115	O-ring drain plug, 2 req.	1.00	1.12
11	071131	Drain plug, 2 req.	4.89	5.48
12	355621	Screw, 3/4-16 x 2-1/4 Hex hd, 4 req.	3.97	4.45
13	072184	Washer, 3/8 in. SS, 4 req.	1.24	1.39
14	355619	O-ring, 1 req.	8.60	9.63
15	6020018	O-ring adaptor No.2-226, 2 req.	0.26	0.29
16	355030	Seal diffuser	7.45	8.34
17	355334	Screw, No.8-32 hex washer HD, 3 req.	1.24	1.39
SUPERFLO DIFFUSERS				
18	355617	Diffuser, 1/2 HP	76.36	85.52
18	355617	Diffuser, 3/4 HP	76.36	85.52
18	355617	Diffuser, 1 HP	76.36	85.52
18	355618	Diffuser, 1-1/2 HP	76.36	85.52
18	355618	Diffuser, 2 HP	76.36	85.52
18	350170	Diffuser, 2-1/2 HP	75.21	84.24
19	354290	Hex head screw, 3/8, 16, 4 req.	2.11	2.36
SUPERFLO IMPELLERS				
20	355043	Impeller 1/2 HP	43.29	48.48
20	355043	Impeller 3/4 HP	43.29	48.48
20	355067	Impeller 1 HP	44.15	49.45
20	355074	Impeller 1-1/2 HP	44.69	50.05
20	355086	Impeller 2 HP	44.99	50.39
20	355093	Impeller 2-1/2 HP	45.81	51.31
21	355389	Screw, impeller locking	1.24	1.39
22	354545S	Seal set	22.77	25.50
23	355667	Basket, large	17.82	19.96
KITS				
24	350157	Union Kit, items 8, 9 & 15 (2 of each included)	67.31	75.39

Pinnacle® High Flow Pump

Replacement Parts for Swimming Pool Pumps



Item	Part No.	Description	US List	Can. List
PINNACLE HIGH FLOW PUMPS				
MOTORS				
I	355371S	3/4A std. sq. flg., black	240.09	268.90
I	075232S	3/4A std. sq. flg. ⁴	240.09	268.90
I	355339S	1A std. sq. flg., 115/230, 25 lbs., black	272.30	304.98
I	075233S	1A std. sq. flg., 115/230, 25 lbs., almond	272.30	304.98
I	355340S	1-1/2A std. sq. flg., 115/230, 28 lbs., black	302.72	339.05
I	075234S	1-1/2A std. sq. flg., 115/230, 28 lbs., almond	302.72	339.05
I	355342S	2A std. sq. flg., 230 only, 32 lbs., black	375.08	420.09
I	075235S	2A std. sq. flg., 230 only, 32 lbs., almond	375.08	420.09
I	356438S	3/4 std. 48 frame thru-bolt 115 only, black ²	CALL	CALL
I	356439S	1 std. 48 frame thru-bolt 115 only, black ²	CALL	CALL
I	356440S	1-1/2 std. 48 frame thru-bolt 115/230, 23 lbs., black ²	263.39	295.00
2	354290	Hex hd. screw, 3/8-16, 4 req. ²	2.11	2.36
3	355666	Seal bracket thru-bolt, black ²	98.18	109.96
3A	356012	Seal plate, almond	92.19	103.25
4	355619	O-ring, seal bracket	8.60	9.63
5	355385	Motor support 48 frame ¹	10.05	11.26
6	355613	Pump base	40.30	45.14
7	354545S	Mechanical seal, 5/8 in., PS 200	22.77	25.50
8	355258	Impeller 3/4A	47.45	53.14
8	355263	Impeller 1A	40.92	45.83
8	355278	Impeller 1-1/2A	44.69	50.05
8	355225	Impeller 2A	45.02	50.42

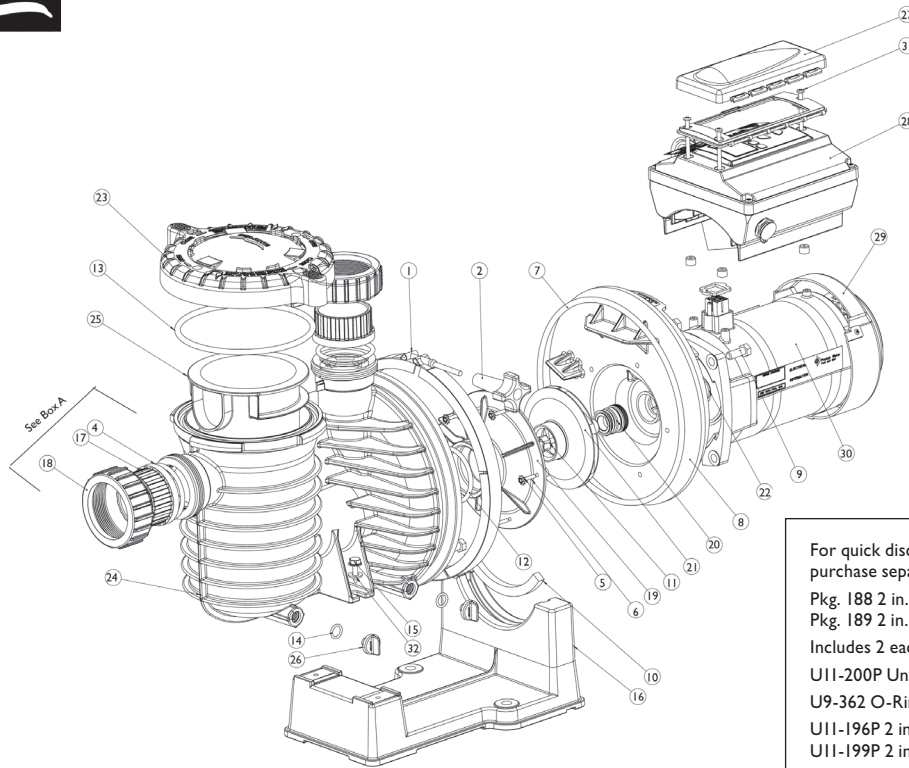
Item	Part No.	Description	US List	Can. List
8A	355043	Impeller 1/2F, 3/4A ²	43.29	48.48
8A	355067	Impeller 3/4F, 1A ²	44.15	49.45
8A	355074	Impeller 1F, 1-1/2A ²	44.69	50.05
9	355389	Screw, impeller locking	1.24	1.39
10	355618	Diffuser, 1F, 1-1/2A Pinnacle ²	76.36	85.52
10	355617	Diffuser, 1/2F, 3/4A and 3/4F, 1A ²	76.36	85.52
11	355334	Screw, No.8-32 hex wsh. hd., 3 req.	1.24	1.39
12	355030	Seal, diffuser	7.45	8.34
13	355301	Lid, strainer pot, clear	51.22	57.37
13	354112	Lid, chemical resistant, black	51.22	57.37
14	350013	O-ring, lid	2.45	2.74
15	355667	Basket, large	17.82	19.96
16	356002	Pump housing, almond	268.38	300.59
17	072184	Washer, 3/8 in. SS, 4 req.	1.24	1.39
18	355621	Screw, 3/4, 16 x 2-1/4 hex hd., 4 req.	3.97	4.45
19	192115	O-ring, drain plug, 2 req.	1.00	1.12
20	154699	Drain plug, 2 req.	CALL	CALL
POWER ENDS INCLUDES ITEMS 1-4, AND 7-12				
	356813	1F, 1-1/2A power end, almond	815.29	913.12
	356814	3/4F, 1A power end, almond	741.16	830.10
	356815	1/2F, 3/4A power end, almond	667.03	747.07

Note: When ordering replacement motor, give all information contained on motor name plate.

¹ This item, motor support P/N 355385 is required on 5/8 in. diameter motors.

² Items 2, 3A, 8A and 9, used on pumps built after November 1, 1994.

IntelliPro® VS 3050 Pump Replacement Parts



Box A

For quick disconnect pipe connections, purchase separately:
 Pkg. 188 2 in. Slip 1/2 Union Kit or
 Pkg. 189 2 in. NPT 1/2 Union Kit.
 Includes 2 each:
 U11-200P Union Collar
 U9-362 O-Ring
 U11-196P 2 in. Slip adapter or
 U11-199P 2 in. NPT adapter.

Item	Part No.	Description	US List	Can. List
INTELLIPRO VS 3050 PUMP				
1	C19-37A	V-Clamp	82.85	92.79
2	WC36-22	Clamp, Knob	10.52	11.78
3	350122	Cable 50ft 2 COND, IntelliFlo to IntelliTouch (Not Shown).	134.59	150.74
4	U9-362	Orng #2- 231 buna N 70 DU	CALL	CALL
5	U43-21SS	#8 Ext Tooth Wshr, 5 req.	CALL	CALL
6	U30-922SS	Mach SCR HX HD 8- 32, 5 req.	CALL	CALL
7	U9-228A	O- Ring Sealplate, 1 req.	CALL	CALL
8	C103-194P	Sealplate.	CALL	CALL
9	U30-99SS	3/8-16 x 1 in. SOC CAP SCR	CALL	CALL
10	C35-11	Motor Pad	CALL	CALL
11	37337-6080	Impeller Screw	CALL	CALL
12	U9-374	O-Ring Diffuser	CALL	CALL
13	35505-1440	O-Ring 6.90 O. D 6.35 I. D	14.75	16.52
14	U9-359	ORNG #2 - 112 N674- 70 Drain Plug	CALL	CALL
15	U30-918SS	SCR 5/16-14 x 1 in. LG HI-LO Hex	4.04	4.52
16	C4-78P	Base	36.05	40.38
17	U11-196PS	Adaptor Union 2 in. Slip	7.14	8.00
18	U11-200PS	Collar Union 2 in.	8.65	9.69
19	C1-271P	Diffuser	24.50	27.44
20	37400-0028S	Shaft Seal, Viton	30.82	34.52
21	C105-238PLA	Imp. Assy. 3 Phase	66.59	74.58
22	17351-0009	Slinger. Pump Shaft 1/16 in.	1.49	1.67

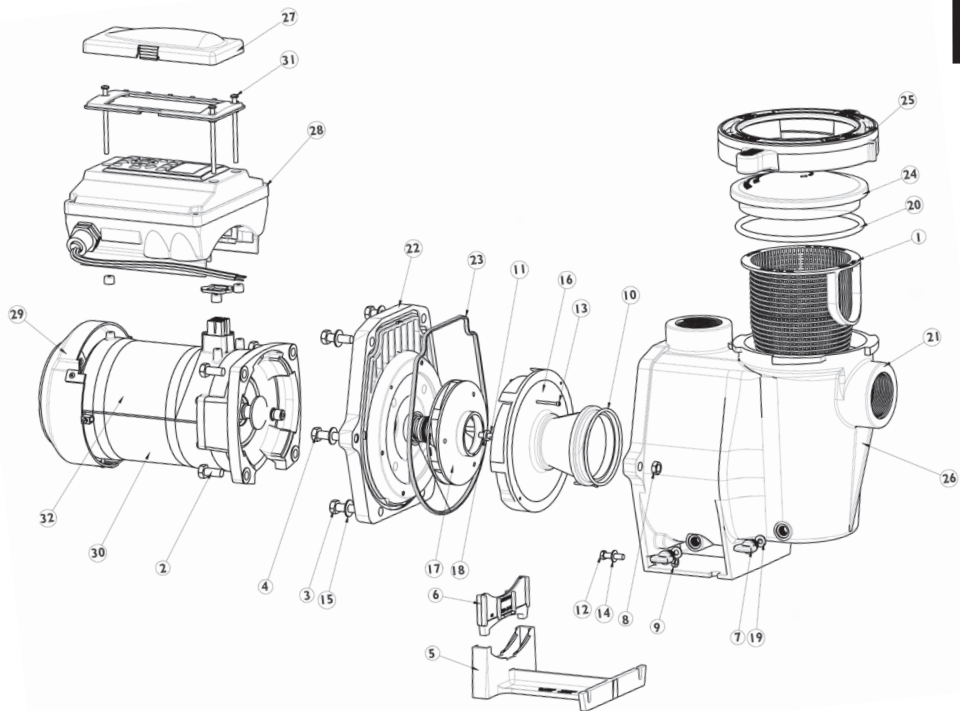
Item	Part No.	Description	US List	Can. List
23	17307-0111S	Trap Cover Assy. (Contains: Trap Cover, Trap Ring and Cover O- Ring)	55.81	62.51
24	17307-0110S	Tank Body Assy. Max- E- Pro Pump SVC 18 (Trap Body, Basket, Drain Plugs and Trap Cover Assy.)	246.79	276.40
25	C8-58P	Trap Basket	10.95	12.26
26	U78-920P	Drain Plug	1.57	1.76
27	350701	Cover Control Assy. Kit, Black (Contains: Cover Assy., Hardware/ Gasket Kit, Inst.)	172.31	192.99
28	350821	Drive Assy. IntelliFlo VS-3050 Kit, Black (Contains: Drive VS- 3050, Control Cover Assy. Kit Black.)	1471.59	1648.18
29	352501	Fan Motor Kit Black IntelliFlo (Contains: Fan Shroud, Fan, Hardware)	CALL	CALL
30	357294S	Motor VFD 3.2KW PMSW, Black	865.63	969.51
31	350612	Hardware/Gasket Kit (Contains: 3 Screws, 3 Spacer, and Drive Gasket)	86.00	96.32
32	U43-41SS	Washer 5/16 in.	1.75	1.96
33	357295	Power End Max-E-Flo (Contains Items: 5, 6, 7, 8, 9, 11, 12, 19, 20, 21, 22, 28, 30)	1971.15	2207.69

¹ Includes Trap Cover, Trap Ring and Cover O-Ring.

² Includes Trap Body, Basket, Drain Plugs and Trap Cover Assembly.

IntelliPro® VS + SVRS Pump

Replacement Parts



Item	Part No.	Description	US List	Can. List
INTELLIPRO VS + SVRS				
1	070387	Basket WF	15.29	17.12
2	070429	Bolt hex HD, 2-56 x .875 S/S, 4 req.	2.19	2.45
3	070430	Bolt, 3/8-16 x 1-1/4 hex cap 18-8 S/S, 4 req.	1.99	2.23
4	070431	Bolt, 3/8-16 x 2 hex cap 18-8 S/S, 2 req.	2.19	2.45
5	357159	Foot WF, pump motor support, black	30.52	34.18
6	357160	Foot insert WF pump, black	15.29	17.12
7	357161	Plug drain WFE, black, 2 req.	3.19	3.57
8	071403	Nut, 3/8-16 brass nickel plated, 2 req.	1.24	1.39
9	071406	Nut, 1/4-20 hex S/S, 2 req.	1.24	1.39
10	355227	O-ring #238, 3.484 x .139, buna N 70	2.60	2.91
11	071652	Screw, 1/4, 20 x 1 LH phillips pan MS 18-8 S/S, 1 req.	2.07	2.32
12	071657	Screw, 1/4-20 x 1 in. hex cap 18-8 S/S, 2 req.	1.24	1.39
13	071660	Screw set, 4-40 x 1-1/8 WFE sckt cap 18-8 S/S, 2 req.	2.60	2.91
14	072183	Washer, flat 1/4 x 5/8 20GA thick 18-8 S/S, 2 req.	1.24	1.39
15	072184	Washer, 3/8 ID x 7/8 OD .05 thick 18-8 S/S, 6 req.	1.24	1.39
16	072928	Diffuser assembly 12, black	72.31	80.99
17	073131	Impeller, IntelliPro VS + SVRS	79.42	88.95
18	175713	Rubber washer, WFE pump, 1 req.	CALL	CALL
19	192115	O-ring 112, .487 x .103 buna -N 70, 2 req.	1.00	1.12
20	350013	O-ring lid CH/WF 2-436, 1 req.	2.45	2.74
21	357157	Housing WFE, black	181.61	203.40
22	350101	Seal plate kit, WFE, black (Includes mechanical seal installed - No Gasket)	CALL	CALL

Item	Part No.	Description	US List	Can. List
22	350203	Sealplate Kit, Black w/ gasket (includes mechanical seal installed and seal plate gasket)	160.22	179.45
23	357102	Almond Gasket for Seal plate ²	4.97	5.57
23	357100	Black Gasket for Seal plate ¹	4.60	5.15
24	357151	Lid, see thru WF.	28.57	32.00
24	357150	Lid, Chemical Resistant	37.95	42.50
25	357199	Clamp cam & ramp WF, black	37.95	42.50
26	357244	Pot WF assy., black (contains 1, 7 (qty. 2), 19 (qty. 2), 20, 21, 24, 25)	CALL	CALL
27	357290	Control cover assy. kit, black (contains cover assy., hardware/ gasket kit, instr.)	CALL	CALL
28	353250	Drive, IntelliPro VS + SVRS Assembly Kit, black (Contains Drive VS and Control Cover Assembly)		Pump Serial Number required for ordering this part
29	352501	Motor fan kit, black (contains fan, shroud, hardware).	CALL	CALL
30	357294S	Motor VFD 3.2KW PMSM replacement, black	865.63	969.51
31	350612	Hardware/gasket assy. kit (contains 3 screws, 3 spacer caps and drive gasket)	86.00	96.32
NOT SHOWN				
	350122	50 ft. Communication Cable	134.59	150.74
	350310	Junction Box Cover - Black	78.57	88.00

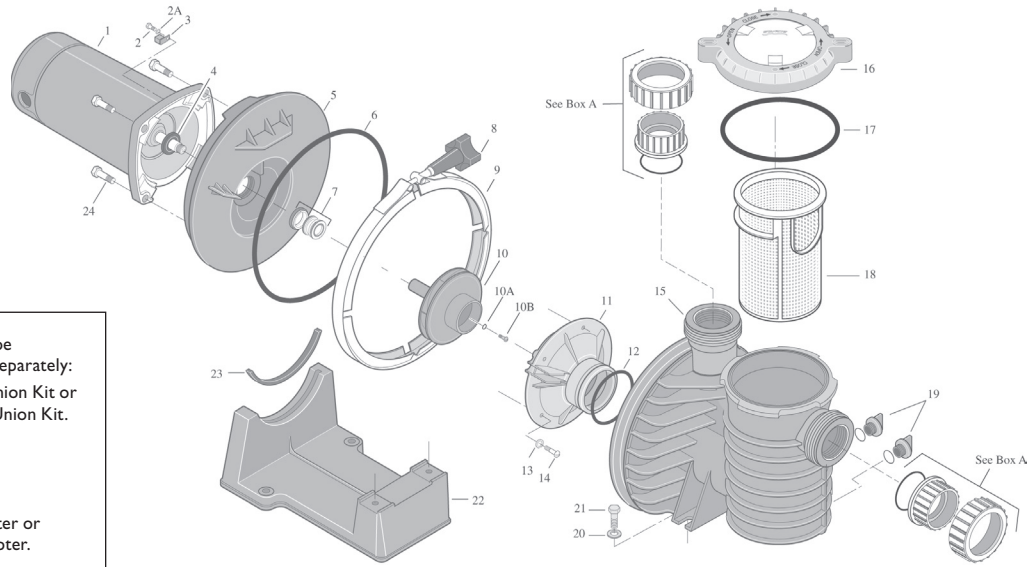
¹ Used on pumps manufactured after 2/1/08.

² Used on pumps manufactured before 2/1/08.

³ Contact factory for IntelliFlo VS + SVRS.

* Not serviceable parts.

Max-E-Pro™ Series Replacement Parts



Box A

For quick disconnect pipe connections, purchase separately:
 Pkg. 188 2 in. Slip 1/2 Union Kit or
 Pkg. 189 2 in. NPT 1/2 Union Kit.
 Includes 2 each:
 U11-200P Union Collar
 U9-362 O-Ring
 U11-196P 2 in. Slip adapter or
 U11-199P 2 in. NPT adapter.

Model No.	HP	Motor No. (Item No. 1)	Impeller (Item No. 10)	Diffuser (Item No. 11)
I PHASE 60 HZ PUMPS - 115/230 V 1-Speed				
P6E6C-204L	1/2	AEI00CHL	CI05-238PX	CI-271PI
P6E6D-205L	3/4	AEI00DHL	CI05-238P	CI-271PI
P6R6D-205L	3/4	35502IS	CI05-238P	CI-271PI
P6E6E-206L	1	AEI00EHL	CI05-238PB	CI-271PI
P6EA6E-205L	1	AEI00ELL	CI05-238P	CI-271PI
P6RA6E-205L	1	A100ELL	CI05-238P	CI-271PI
P6R6E-206L	1	355023S	CI05-238PB	CI-271PI
P6EA6F-206L	1-1/2	AEI00FLL	CI05-238PB	CI-271PI
P6RA6F-206L	1-1/2	A100FLL	CI05-238PB	CI-271PI
P6R6F-207L	1-1/2	355025S	CI05-238PDBA	CI-271P
I PHASE 60 HZ PUMPS - 230V 1-Speed				
P6E6F-207L *	1-1/2	AEI00FHL	17307-0116 ⁵ , CI05-238PDBA ⁶	CI-271PA
P6EAA6F-216L *	1-3/4	AEI00F5LL	CI05238PDCA	CI-271P
P6RAA6F-216L *	1-3/4	A100F5LL	CI05-238PDCA	CI-271P
P6E6G-208L *	2	AEI00GHL	17307-0117 ⁵ , CI05-238PEBA ⁶	CI-271PA
P6EA6G-207L *	2	AEI00GLL	17307-0116 ⁵ , CI05-238PDBA ⁶	CI-271PA
P6RA6G-207L *	2	A100GHL	17307-0116 ⁵ , CI05-238PDBA ⁶	CI-271PA
P6R6G-208L	2	355027S	CI05-238PEBA	CI-271P
P6EAA6G-208L *	2-1/2	AEI00G5LL	17307-0117 ⁵ , CI05-238PEBA ⁶	CI-271PA
P6E6H-209L *	3	AEI00HLL	17307-0118 ⁵ , CI05-238PLA ⁶	CI-271PA
P6EAA6G-208L	2-1/2		CI05-238PEBA	CI-271P
P6R6H-209L	3	355034S	17307-0118 ⁵ , CI05-238PLA ⁶	CI-271PA
I PHASE 60 HZ PUMPS - 2-Speed				
P6RA6YF-206L **	1-1/2 (Hi Speed), 1/4 (Low Speed)	A100FLL-Y	CI05-238PBA	CI-271PI
P6RA6YG-207L *	2 (Hi Speed), 1/3 (Low Speed)	AEI00GLL-Y	17307-0116 ⁵ , CI05-238PDBA ⁶	CI-271PA

⁵ Pumps built after 8/29/07.

⁶ Pumps built on or before 8/29/07.

Max-E-Pro™ Series (Cont'd)

Replacement Parts



Model No.	HP	Motor No. (Item No. 1)	Impeller (Item No. 10)	Diffuser (Item No. 11)
3 PHASE 60 HZ PUMPS - 230/115 V Speed				
P6R6C3-204	1/2	355206S	CI05-238PXA	CI-271PI
P6R6D3-205	3/4	355201S	CI05-238PA	CI-271PI
P6R6E3-206	1	355203S	CI05-238PBA	CI-271PI
P6R6F3-207	1-1/2	355204S	CI05-238PDBA	CI-271IP
3 PHASE 60 HZ PUMPS - 230 V Speed				
P6R6G3-208	2	355205S	CI05-238PEBA	CI-271IP
P6R6H3-209	3	355398S	I7307-0118 ⁵ , CI05-238PLA ⁶	CI-271PA
3 PHASE 60 HZ PUMPS - 200/400v Speed				
P6R62D3-186	3/4	API00DH2	CI05-238A	CI-271PI
P6R62E3-187	1	API00EH2	CI05-238PBA	CI-271PI
P6R62F3-188	1-1/2	API00FH2	CI05-238PDBA	CI-271IP
P6R62G3-189	2	API00GH2	CI05-238PEBA	CI-271IP

Model No.	HP	Motor No. (Item No. 1)	Impeller (Item No. 10)	Diffuser (Item No. 11)	Motor Base
575 Volts, 3-Phase Models:					
P6EA6D36-204 *	3/4	I6502-0024	CI05-238PX	CI-271PI	CI04-79P
P6EA6E36-205 *	1	I6503-0024	CI05-238P	CI-271PI	CI04-79P
P6EA6G36-207	2	62001-1020	I7307-0116 ⁵ , CI05-238PDBA ⁶	CI-271IP	CI04-79P
P6E6H36-209	3	62001-1021	I7307-0118 ⁵ , CI05-238PLA ⁶	CI-271PA	CI04-79P

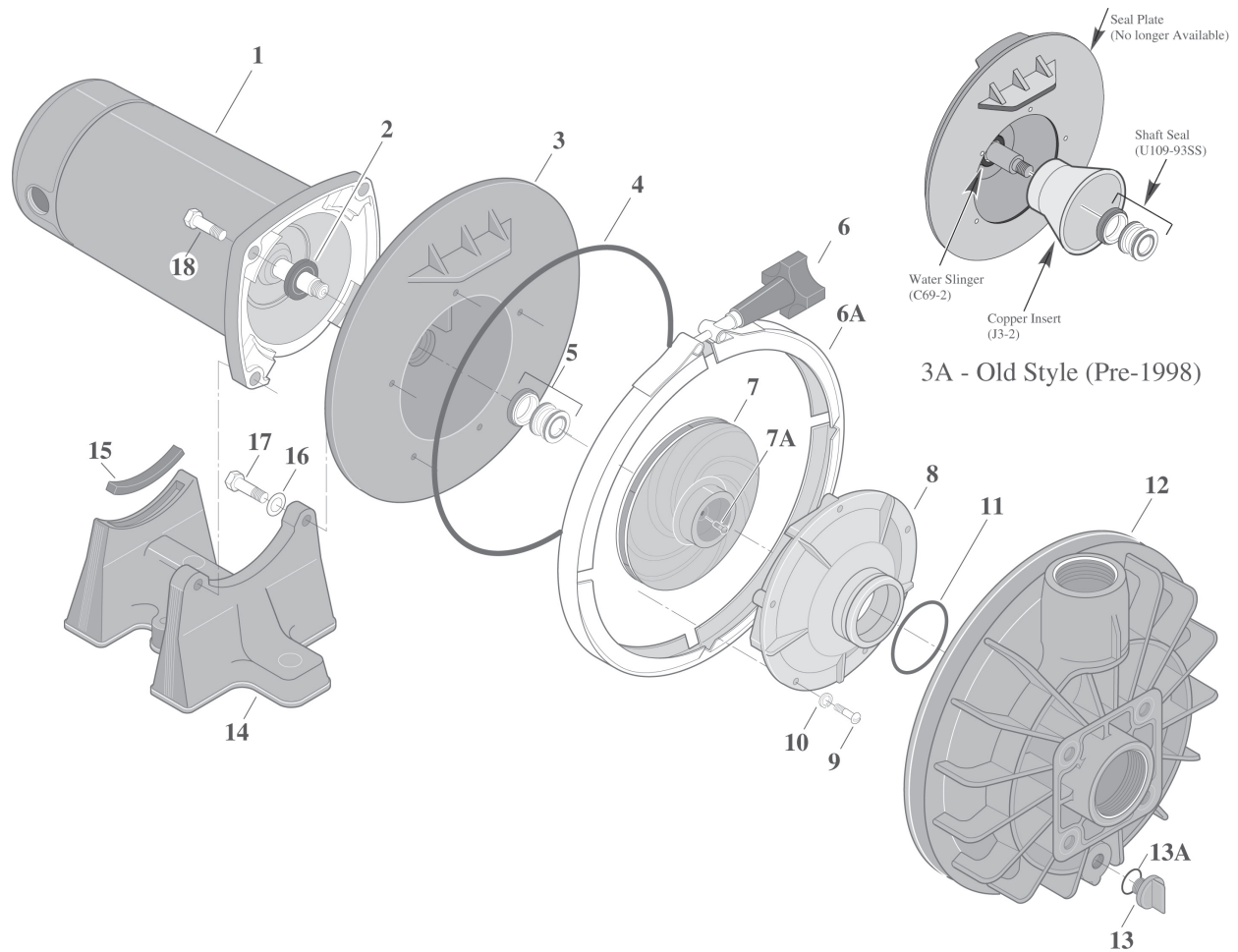
Item	Part No.	Description	US List	Can. List
MAX-E-PRO SERIES REPLACEMENT PARTS				
1	Chart	Motor	CALL	CALL
2	U30-692SS	#10-32 x 1/2 in. Screw	1.75	1.96
2A	U43-22SS	Lock Washer	1.52	1.70
3	U17-568	Bonding Lug	8.65	9.69
4	I7351-0009	Water Slinger	1.49	1.67
5	C203-194P	Seal Plate Kit (Incl. Part Nos. 6, 7)	132.99	148.95
6	U9-228A	O-Ring	7.75	8.68
7	37400-0028S	Shaft Seal, Viton	30.82	34.52
8	WC36-22	Clamp Knob	10.52	11.78
9	CI9-37A	Clamp	82.85	92.79
10	Chart	Impeller	CALL	CALL
10A	35505-1426	Impeller Screw O-Ring	0.86	0.96
10B	Chart	Impeller Screw	CALL	CALL
11	Chart	Diffuser	CALL	CALL
12	U9-374	Diffuser O-Ring	4.63	5.19
13	U43-21SS	#8 Lock Washer	1.49	1.67
14	U30-542SS	Screw (w/CI-271PI Diffuser)	1.79	2.00
15	I7307-0110S	Tank Body Assembly ²	246.79	276.40
16	I7307-0111S	Trap Cover Assembly ¹	55.81	62.51
17	35505-1440	Trap O-Ring	14.75	16.52

Item	Part No.	Description	US List	Can. List
18	C8-58P	Basket	10.95	12.26
19	UI78-920P	1/4 in. NPT Drain Plug	2.64	2.96
19	U9-359	Drain Plug O-Ring	CALL	CALL
20	U43-41SS	Base Washer	1.75	1.96
21	U30-918SS	Base Screw	4.04	4.52
22	C4-78P	Base w/Motor Pad ***	36.05	40.38
22	CI04-79P	Base w/Motor Pad (3 HP only)	36.89	41.32
23	C35-43	Motor Pad	4.32	4.84
23	C35-44	Motor Pad (3 HP only)	6.37	7.13
24	U30-74SS	3/8-16 x 1 in. Hex Hd. Screw	3.49	3.91
24	U30-99SS	3/8-16 x 1 in. Hex Hd. Screw (3 HP only)	6.95	7.78
NOT SHOWN				
	U27-68	Voltage Sticker - 230 Volts (Single voltage models only)	0.28	0.31
	U27-153	Voltage Sticker - 115/230 Volts (Dual voltage models only)	0.74	0.83

¹ Includes Trap Cover, Trap Ring and Trap Cover O-Ring.
² Includes Trap Body, Basket, Drain Plugs, and Trap Cover Assembly.
³ Uses Key No. 10B Impeller Screw No. 37337-6080.
⁴ Uses Key No. 10B Impeller Screw No. 37337-6081.

Max-E-Glas® / Dura-Glas® Series

“Full Rate” Models - Replacement Parts



POINT-OF-SALE, STOCK ROOM, SERVICE VEHICLE

Attractive, clamshell packaging contains recommended parts for seal/gasket servicing or complete overhaul of most swimming pool/spa pumps. Eliminate the need for large parts inventories, protect parts from damage, and reduce paperwork.

SEAL/GASKET KITS - Include Shaft Seal, Gaskets, and O-Rings

Pump Series	Parts Pak #
PE, PEA, PR, PRA, P2R, P2RA (Models with copper insert pre 1998)	PP1000
PE, PEA, PR, PRA, P2R, P2RA (Models without copper insert 1998)	PP1200

OVERHAUL KITS - Include Impeller, Shaft Seals, Gaskets, O-Rings, Diffuser, Diffuser Screws and other appropriate hardware.

Pump Series	HP	Parts Pak #
PE, P2R	1/3	PP1010
PE, P2R	1/2	PP1011
PE, P2R	3/4	PP1014
PE, P2R	1	PP1016
PE, P2R	1-1/2	PP1018
PE, P2R	2	PP1017
PE, P2R	3	PP1019

Max-E-Glas® / Dura-Glas® Series (Cont'd)

“Full Rate” Models - Replacement Parts



Parts are common to all models except as noted:
Part Nos. 1, Motor; and 7, Impeller, are listed below.

Model No.	Pumps with Copper Insert	HP	Motor No. (Key No. 1)	Impeller No. (Key No. 7)
MAX-E-GLAS				
115/230 Volt				
PE5C-180L	(-120L)	1/2	AEI00CHL	CI05-92PS
PE6C-120L		1/2	AEI00CHL	CI05-92PS
PE5D-181L	(-124L)	3/4	AEI00DHL	CI05-138PEB
PE6D-124L		3/4	AEI00DHL	CI05-138PEB
PE6E-182L	(-125L)	1	AEI00EHL	CI05-137PEB
230 Volt				
PE5F-126L ⁵		1-1/2	AEI00FHL	CI05-137PDBA
PE6F-183L ⁵	(-126L)	1-1/2	AEI00FHL	CI05-137PDBA
PE5G-122L ⁵		2	AEI00GHL	CI05-137PDA
PE6G-184L ⁵	(-122L)	2	AEI00GHL	CI05-137PDA
PE6H-185L ⁵	(-139L)	3	AEI00HHL	CI05-137PKBA
PE6H-139LC ⁵		3	AEI00HHL	CI05-137PKBA
100/200 Volt				
PE52C-180L	(-120)	1/2	AEI00CH2	CI05-92PS
PE52D-181L	(-124)	3/4	AEI00DH2	CI05-138PEB
PE52E-182L	(-125)	1	AEI00EH2	CI05-137PEB
PE52F-183L ⁵	(-126)	1-1/2	AEI00FH2	CI05-137PDBA
PE52G-184	(-122)	2	AEI00GH2	CI05-137PDA
230 Volt				
PE52G-185 ⁵	(-122)	2	AEI00GH2	CI05-137PDA
PE62H-139 ⁵		3	AEI00HL2	CI05-137PKBA
200/230/460 Volt - 3 Phase				
PE6H3-185 ⁵	(-139)	3	API00HL	CI05-137PKBA
DURA-GLAS				
115 Volt - 2 Speed				
P2R5YD-133L		3/4-1/8	A100DShL-Y	CI05-138PEB
P2R5YE-133L		1	A100ESLl-Y	CI05-137PEB
115/230 Volt				
P2R5C-180L	(-120L)	1/2	A100CHL	CI05-92PS
P2R5D-181L	(-124L)	3/4	A100DHL	CI05-138PEB
P2R5E-182L	(-125L)	1	A100EHL	CI05-137PEB
115/230 Volt				
P2R5F-126L ⁵		1-1/2	A100FLL	CI05-137PDBA
230 Volt - 2 Speed				
P2R5YD-124L		3/4-1/8	NLA	CI05-138PEB
P2R5YE-125L		1-1/8	NLA	CI05-137PEB
P2R5YF-126L ⁵		1-1/2-1/4	NLA	CI05-137-PDBA
200/400 Volt - 3 Phase				
P2R52D3-181 ⁵	(-124)	3/4	API00DH2	CI05-138PEBA
P2R52E3-181 ⁵	(-125)	1	API00EH2	CI05-137PEBA
P2R52F3-183 ⁵	(-126)	1-1/2	API00FH2	CI05-137PDBA
P2R52G3-184 ⁵	(-122)	2	API00GH2	CI05-137PDA
230/460 Volt - 3 Phase				
P2R5D3-181 ⁵	(-124)	3/4	API00DH	CI05-138PEBA
P2R5E3-182 ⁵	(-125)	1	API00EH	CI05-137PEBA
P2R5F3-183 ⁵	(-126)	1-1/2	API00FH	CI05-137PDBA
P2R5G3-184 ⁵	(-122)	2	API00GH	CI05-137PDA

Item	Part No.	Description	US List	Can. List
MAX-E-GLAS / DURA-GLAS SERIES REPLACEMENT PARTS				
1	See Table	Motor	CALL	CALL
2	I7351-0009	Water Slinger ⁴	1.49	1.67
3	C203-193P	Seal Plate Kit ^{1,2}	132.99	148.95
4	U9-228A	O-Ring	7.75	8.68
5	I7304-0100S	Shaft Seal (For Seal Plate Design without Copper Insert)	10.34	11.58
6	WC36-22	Clamp Knob	10.52	11.78
6A	CI9-37A	Clamp	82.85	92.79
7	See Table	Impeller	CALL	CALL
7A	C30-12	Impeller Screw – 1-1/2 thru 3 HP ³	6.15	6.89
8	CI-216P	Diffuser – 1/2 HP (Full Rate)	23.36	26.16
8	CI-200PA	Diffuser – 3/4 thru 2-1/2 HP (Full Rate)	24.81	27.79
8	CI-259P	Diffuser – 3 HP (Full Rate)	24.81	27.79
9	U30-542SS	Screw, 8-32 x 7/8 in.	1.79	2.00
9	U30-869SS	Screw, 8-32 x 1 in. (Model PE6H3)	CALL	CALL
10	U43-21SS	Washer, #8 Lock	1.49	1.67
11	U9-226	Diffuser O-Ring	1.79	2.00
12	CI76-47PI	Tank Body	105.89	118.60
13	UI78-920P	Drain Plug 1/4 in. NPT with O-Ring	2.64	2.96
13A	U9-359	Drain Plug O-Ring	CALL	CALL
14	CI04-42P	Base with Motor Pad	35.17	39.39
14	CI04-41P	Base with Motor Pad (3 HP Only)	38.67	43.31
15	C35-11	Motor Pad	2.56	2.87
16	U43-42SS	Washer, Flat	1.75	1.96
17	U30-74SS	Capscrew, 3/8-16 x 1 in. Hex Head (3 HP Only)	3.49	3.91
17	U30-99SS	Capscrew, 3/8-16 x 1 in. Soc. Head	6.95	7.78
18	U30-77SS	Capscrew, 3/8-16 x 1-3/4 in. Hex Head	4.68	5.24
18	U30-778SS	Capscrew, 3/8-16 x 1-3/4 in. Soc. Head (3 HP Only)	7.52	8.42
NOT SHOWN				
	C78-7P	Reducer 2 in. x 1-1/2 in.	15.49	17.35

¹ Includes Seal Plate, Shaft Seal and Seal Plate O-Ring.

² New Seal Plate design. See insert drawing on opposite page for models with Copper Insert, see Figure 3A.

³ C30-12 Impeller Screw is required on all pumps using a 3-phase motor.

⁴ Replaces C69-2 (effective 9/00).

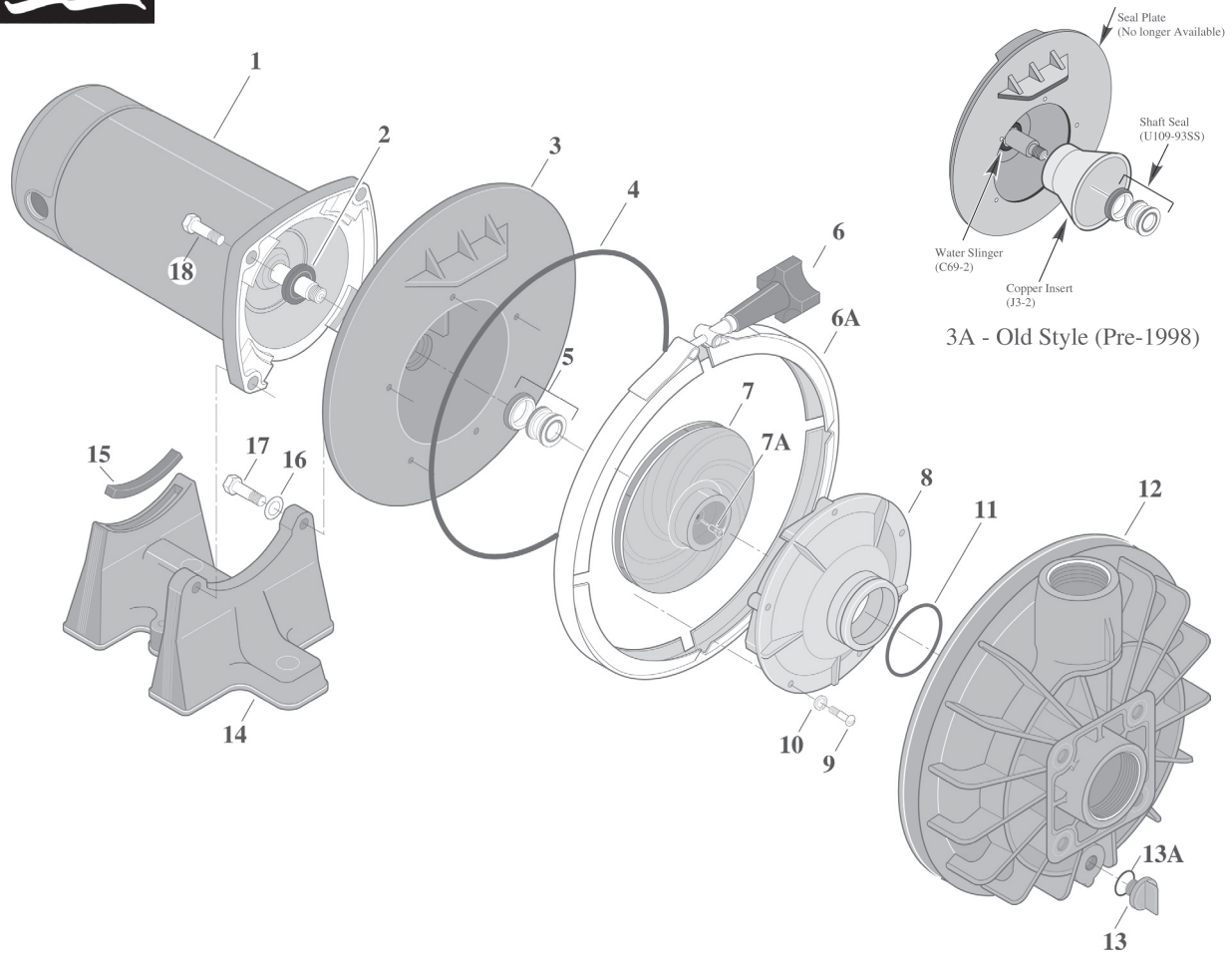
⁵ Requires one Impeller Screw, Part No. C30-12.

Note: PE5 and P2R5 models include 5 in. trap, PKG. 115.

Note: PE6 models include 6 in. trap, PKG. 161.

Max-E-Glas® / Dura-Glas® Series

“Up-Rate” Models - Replacement Parts



POINT-OF-SALE, STOCK ROOM, SERVICE VEHICLE

Attractive, clamshell packaging contains recommended parts for seal/gasket servicing or complete overhaul of most swimming pool/spa pumps. Eliminate the need for large parts inventories, protect parts from damage, and reduce paperwork.

SEAL/GASKET KITS - Include Shaft Seal, Gaskets, and O-Rings

Pump Series	Parts Pak #
PE, PEA, PR, PRA, P2R, P2RA (Models with copper insert pre 1998)	PP1000
PE, PEA, PR, PRA, P2R, P2RA (Models without copper insert 1998)	PP1200

OVERHAUL KITS - Include Impeller, Shaft Seals, Gaskets, O-Rings, Diffuser, Diffuser Screws and other appropriate hardware.

Pump Series	HP	Parts Pak #
PEA, P2RA	1/2	PP1010
PEA, P2RA	3/4	PP1011
PEA, P2RA	1	PP1014
PEA, P2RA	1-1/2	PP1016
PEA, P2RA	2	PP1018
PEA, P2RA	2-1/2	PP1017

Max-E-Glas® / Dura-Glas® Series (Cont'd)

“Up-Rate” Models - Replacement Parts



Parts are common to all models except as noted:
Part Nos. 1, Motor; and 7, Impeller, are listed below.

Model No.	Pumps with Copper Insert	HP	Motor No. (Key No. 1)	Impeller No. (Key No. 7)
MAX-E-GLAS				
115 Volt				
P2RA5YE-194L	(-133L)	1-1/6	AI00ESLL-Y	CI05-138PEB
115/230 Volt				
PEA5D-180L	(-120L)	3/4	AEI00DLL	CI05-92PS
PEA6D-120L		3/4	AEI00DLL	CI05-92PS
PEA5E-181L	(-124L)	1	AEI00ELL	CI05-138PEB
PEA6E-124L		1	AEI00ELL	CI05-138PEB
PEA5F-182L	(-125L)	1-1/2	AEI00FLL	CI05-137PEB
PEA6F-182L	(-125L)	1-1/2	AEI00FLL	CI05-137PEB
230 Volt				
PEA5G-126L ⁵		2	AEI00GLL	CI05-137PDBA
PEA6G-183L ⁵	(-126L)	2	AEI00GLL	CI05-137PDBA
PEAA5G-122L ⁵		2-1/2	AEI00G5LL	CI05-137PDA
PEAA6G-184L ⁵	(-122L)	2-1/2	AEI00G5LL	CI05-137PDA
200 Volt				
PEA52F-125†		1-1/2	AEI00FL2	CI05-137PEBA
PEA52G-126†		2	AEI00GL2	CI05-137PDBA
DURA-GLAS				
115 Volt				
P2RA5YF-182L	(-162L)	1-1/2-1/4	AI00F5LL-Y	CI05-137PEBA
115/230 Volt				
P2RA5C-179L	(-119L)	1/2	AI00CLL	CI05-92PR
P2RA5D-180L	(-120L)	3/4	AI00DLL	CI05-92PS
P2RA5E-181L	(-124L)	1	AI00ELL	CI05-138PEB
P2RA5F-182L	(-125L)	1-1/2	AI00FLL	CI05-137PEB
P2RAXF-182LS		1-1/2	AI00FLL	CI05-137PEB
P2RA6F-125L		1-1/2	AI00FLL	CI05-137PEB
230 Volt				
P2RA5G-126L ⁵		2	AI00GLL	CI05-137PDBA
P2RA6G-183L ⁵	(-126L)	2	AI00GLL	CI05-137PDBA
230/460 Volt - 3 Phase				
P2RA5C3-179	(-119)	1/2	API00CL	CI05-92PRA
230 Volt - 2 Speed				
P2RA5YE-181L, LC	(-124L)	1-1/6	AI00ELL-Y	CI05-138PEB
P2RA5YF-182L ⁵	(-125L)	1-1/2-1/4	AI00FLL-Y	CI05-137PEBA
P2RA5YG-183L ⁵	(-126L)	2-1/3	AEI00GLL-Y	CI05-137PDBA
P2RA6YG-183L ⁵	(-126L)	2-1/3	AEI00GLL-Y	CI05-137PDBA

Item	Part No.	Description	US List	Can. List
MAX-E-GLAS / DURA-GLAS SERIES REPLACEMENT PARTS				
1	See Table	Motor	CALL	CALL
2	I7351-0009	Water Slinger ^{3,4}	1.49	1.67
3	C203-193P	Seal Plate Kit ^{1,2}	132.99	148.95
4	U9-228A	O-Ring	7.75	8.68
5	I7304-0100S	Shaft Seal	10.34	11.58
6	WC36-22	Clamp Knob	10.52	11.78
6A	C19-37A	Clamp	82.85	92.79
7	See Table	Impeller	CALL	CALL
7A	C30-12	Impeller Screw – 1/2 thru 2-1/2 HP	6.15	6.89
8	C1-217P	Diffuser – 1/2 HP (Up-Rate)	23.08	25.85
8	C1-216P	Diffuser – 3/4 HP* (Up-Rate)	23.36	26.16
8	C1-200PA	Diffuser – 1 thru 2-1/2 HP (Up-Rate)	24.81	27.79
9	U30-542SS	Capscrew, 8-32 x 7/8 in.	1.79	2.00
10	U43-21SS	Washer, #8 Lock	1.49	1.67
11	U9-226	Diffuser O-Ring	1.79	2.00
12	CI76-47PI	Tank Body	105.89	118.60
13	U178-920P	Drain Plug 1/4 in. NPT with O-Ring	2.64	2.96
13A	U9-359	Drain Plug O-Ring	CALL	CALL
14	C104-42P	Base with Motor Pad	35.17	39.39
14	J104-9C	Base, Metal (Model P2RAXF-182LS Only)	34.69	38.85
15	C35-11	Motor Pad	2.56	2.87
16	U43-42SS	Washer, Flat	1.75	1.96
17	U30-74SS	Capscrew, 3/8 -16 x 1 in.	3.49	3.91
18	U30-77SS	Capscrew, 3/8 -16 x 1-3/4 in.	4.68	5.24
NOT SHOWN				
	C78-7P	Reducer 2 in. x 1-1/2 in.	15.49	17.35

Note: P2RA5 and PEA5 models include 5 in. trap, PKG. 115.

Note: P2RA6 and PEA6 models include 6 in. trap, PKG. 161.

Note: P2RAX model does not include a trap.

¹ Includes Seal Plate, Shaft Seal and Seal Plate O-Ring.

² New Seal Plate design. See insert drawing on opposite page for models with Copper Insert, see Figure 3A.

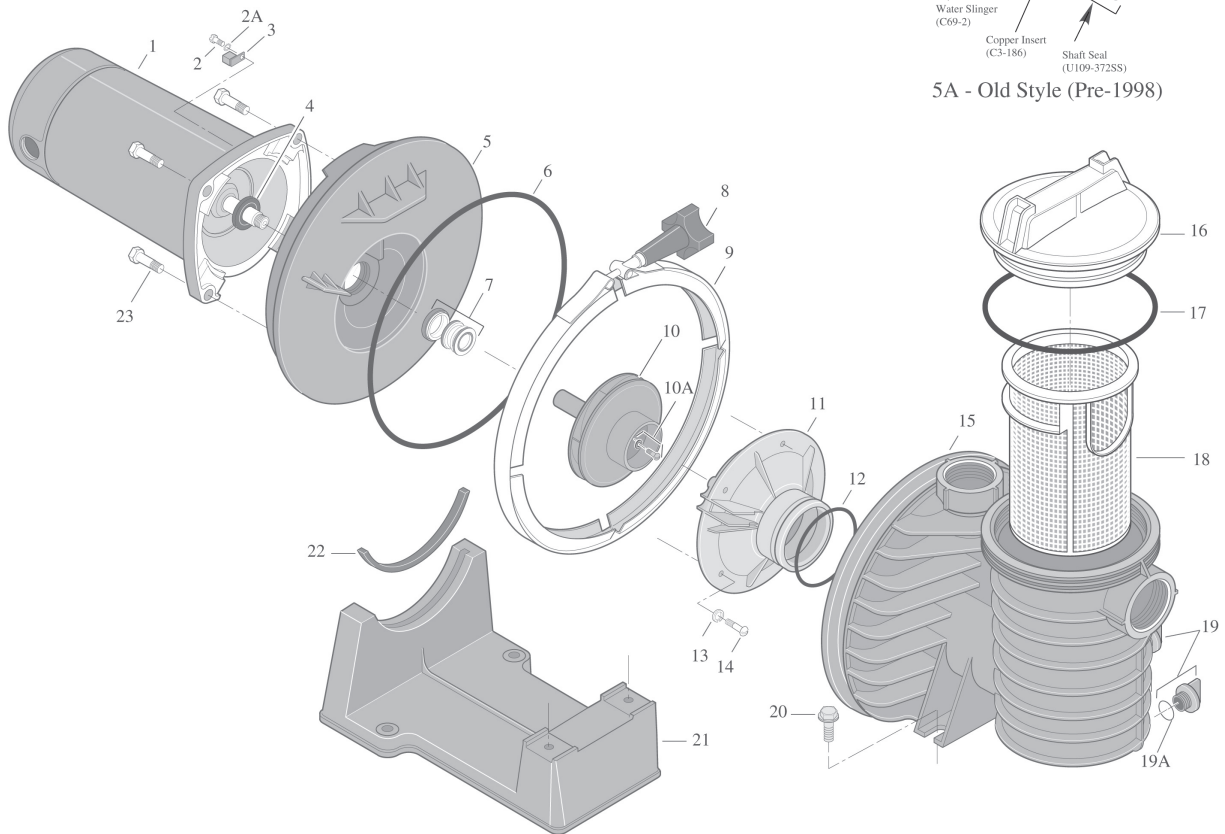
³ Replaces C69-2 (effective 9/00).

⁴ P2RA5YE and P2RA5YF use C69-2.

⁵ Requires one Impeller Screw, Part No. C30-12.

Max-E-Glas® II / Dura-Glas® II Series

“Up-Rate” Models - Replacement Parts



POINT-OF-SALE, STOCK ROOM, SERVICE VEHICLE

Attractive, clamshell packaging contains recommended parts for seal/gasket servicing or complete overhaul of most swimming pool/spa pumps. Eliminate the need for large parts inventories, protect parts from damage, and reduce paperwork.

SEAL/GASKET KITS - Include Shaft Seal, Gaskets, and O-Rings

Pump Series	Parts Pak #
P4E, P4EA, P4R, P4RA (Models with copper insert pre 1998)	PP4000
P4E, P4EA, P4R, P4RA (Models without copper insert 1998)	PP4200

OVERHAUL KITS - Include Impeller, Shaft Seals, Gaskets, O-Rings, Diffuser, Diffuser Screws and other appropriate hardware.

Pump Series	HP	Parts Pak #
P4EA, P4RA	1	PP4010
P4EA, P4RA	1-1/2	PP4011
P4EA, P4RA	2	PP4012
P4EA, P4RA	2-1/2	PP4013

Max-E-Glas® II / Dura-Glas® II Series (Cont'd)

“Up-Rate” Models - Replacement Parts



Parts are common to all models except as noted:
Part Nos. 1, Motor; Pump Models without Copper Insert; and 10, Impeller, are listed below.

Model No.	Pumps with Copper Insert	HP	Motor No. (Key No. 1)	Impeller No. (Key No. 7)
MAX-E-GLAS II				
115/230 Volt				
P4EA6E-186L	(-150L)	1	AE100ELL	C105-238P
P4EA6F-187L	(-151L)	1-1/2	AE100FLL	C105-238PB
230 Volt				
P4EAA6F-198L	(-177L)	1-3/4	AE100F5LL	C105-238PDCA
P4EA6G-188L ⁵	(-152L)	2	AE100GLL	C105-238PDBA
P4EAA6G-189L ⁵	(-153L)	2-1/2	AE100G5LL	C105-238PEBA
DURA-GLAS II				
115/230 Volt				
P4RA6E-186L		1	A100ELL	C105-238P
P4RA6F-187L	(-151L)	1-1/2	A100FLL	C105-238PB
230 Volt				
P4EAA6F-198L	(-177L)	1-3/4	AE100F5LL	C105-238PDCA
P4RA6G-188L ⁵	(-152L)	2	A100GLL	C105-238PDBA
P4RAA6G-189L ⁵	(-153L)	2-1/2	AE100G5LL	C105-238PEBA
230 Volt - 2 Speed				
P4RA6YF-187L ⁵	(-151L)	1-1/2	A100FLL-Y	C105-238PBA
P4RA6YG-188L ⁵	(-152L)	2	AE100GLL-Y	C105-238PDBA

Item	Part No.	Description	US List	Can. List
MAX-E-GLAS II / DURA-GLAS II SERIES REPLACEMENT PARTS				
1	See Table	Motor	CALL	CALL
2	U30-692SS	Screw, 10-32 x 1/2 in.	1.75	1.96
2A	U43-22SS	Lockwasher	1.52	1.70
3	U17-568	Bonding Lug	8.65	9.69
4	17351-0009	Water Slinger ⁴	1.49	1.67
5	C203-194P	Seal Plate Kit ^{1,3}	132.99	148.95
6	U9-228A	O-Ring	7.75	8.68
7	37400-0027S	Shaft Seal, Buna ²	22.99	25.75
7	37400-0028S	Shaft Seal, Viton	30.82	34.52
8	WC36-22	Clamp Knob	10.52	11.78
9	C19-37A	Clamp	82.85	92.79
10	See Table	Impeller	CALL	CALL
10A	37337-6081	Impeller Screw (Model C105-238PBA)	17.87	20.01
10A	37337-6080	Impeller Screw (All models except C105-238PBA)	15.30	17.14
11	CI-271PI	Diffuser - 1 HP & 1-1/2 HP	25.37	28.41
11	CI-271P	Diffuser - 1-3/4 thru 2-1/2 HP	24.50	27.44
12	U9-374	Diffuser O-Ring	4.63	5.19
13	U43-21SS	Lockwasher, #8	1.49	1.67
14	U30-542SS	Diffuser Screw, 3/4 HP & 1 HP	1.79	2.00
14	U30-922SS	Diffuser Screw, 1-1/2, thru 3 HP	0.86	0.96
15	C176-59P	Tank Body Assembly (includes Trap Cover, O-Ring, Basket)	223.83	250.69
16	C3-185P	Trap Cover	48.87	54.73
16	C3-185P3	Trap Cover - (Biguanide Resistant)	64.98	72.78
17	U9-375	Trap Cover O-Ring	13.25	14.84
18	C8-58P	Basket	10.95	12.26
19	U178-920P	Drain Plug 1/4 in. NPT with O-Ring	2.64	2.96
19A	U9-359	Drain Plug O-Ring	CALL	CALL
20	U30-918SS	Screw, Base	4.04	4.52
21	C4-78P	Base without Motor Pad	36.05	40.38
21	CI04-79P	Base with Motor Pad (3 HP only)	36.89	41.32
22	C35-43	Motor Pad	4.32	4.84
23	U30-74SS	Capscrew, 3/8-16 x 1 in.	3.49	3.91
23	U30-99SS	Capscrew, Socket Head, 3/8-16 x 1 in. (3 HP only)	6.95	7.78
NOT SHOWN				
	35505-1426	Impeller O-Ring	0.86	0.96

¹ Includes Seal Plate, Shaft Seal and Seal Plate O-Ring.

² Replaces U109-358SS (effective 6/00).

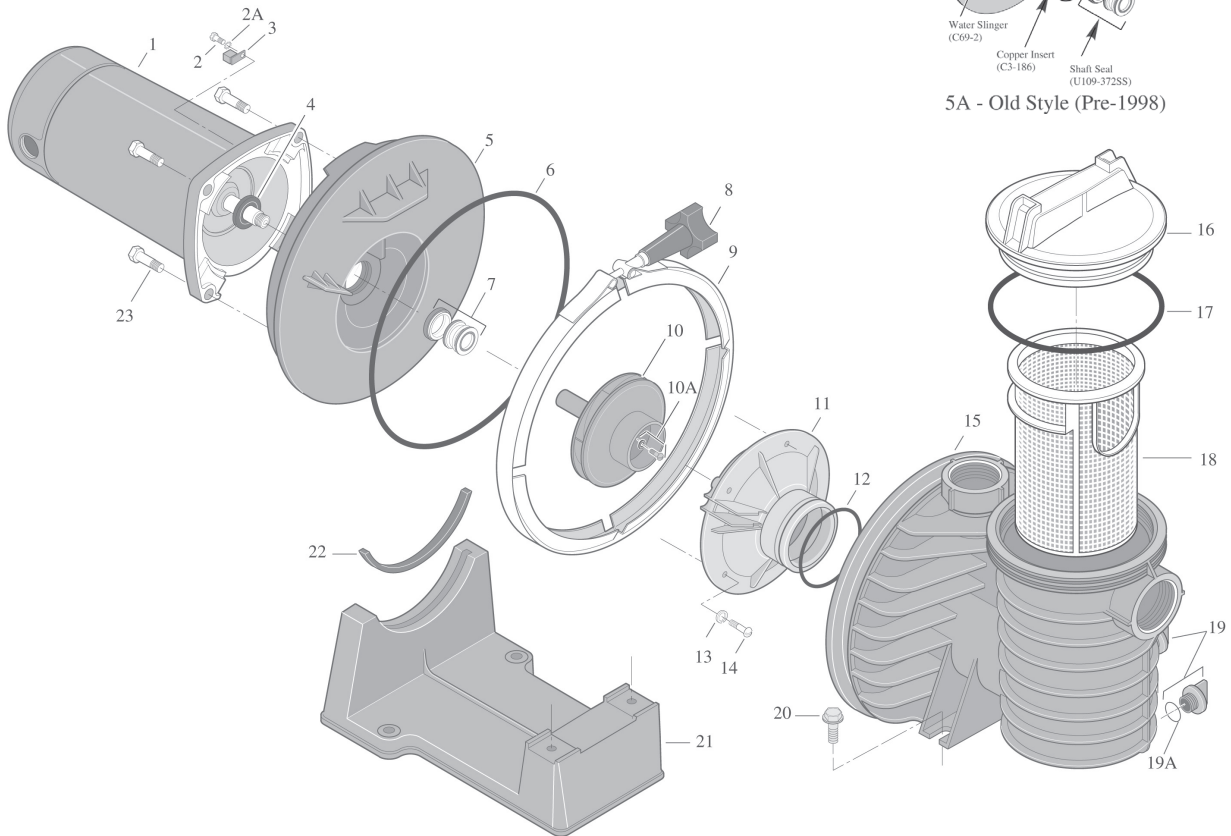
³ New Seal Plate design. See inset drawing on opposite page for models with Copper Insert, see Figure 5A.

⁴ Replaces C69-2 (effective 9/00).

⁵ Requires one Impeller Screw.

Max-E-Glas® II / Dura-Glas® II Series

“Full Rate” Models - Replacement Parts



POINT-OF-SALE, STOCK ROOM, SERVICE VEHICLE

Attractive, clamshell packaging contains recommended parts for seal/gasket servicing or complete overhaul of most swimming pool/spa pumps. Eliminate the need for large parts inventories, protect parts from damage, and reduce paperwork.

SEAL/GASKET KITS - Include Shaft Seal, Gaskets, and O-Rings

Pump Series	Parts Pak #
P4E, P4EA, P4R, P4RA (Models with copper insert pre 1998)	PP4000
P4E, P4EA, P4R, P4RA (Models without copper insert 1998)	PP4200

OVERHAUL KITS - Include Impeller, Shaft Seals, Gaskets, O-Rings, Diffuser, Diffuser Screws and other appropriate hardware.

Pump Series	HP	Parts Pak #
P4E, P4R	3/4	PP4010
P4E, P4R	1	PP4011
P4E, P4R	1-1/2	PP4012
P4E, P4R	2	PP4013
P4E, P4R	3	PP4014

Max-E-Glas® II / Dura-Glas® II Series (Cont'd)

“Full Rate” Models - Replacement Parts



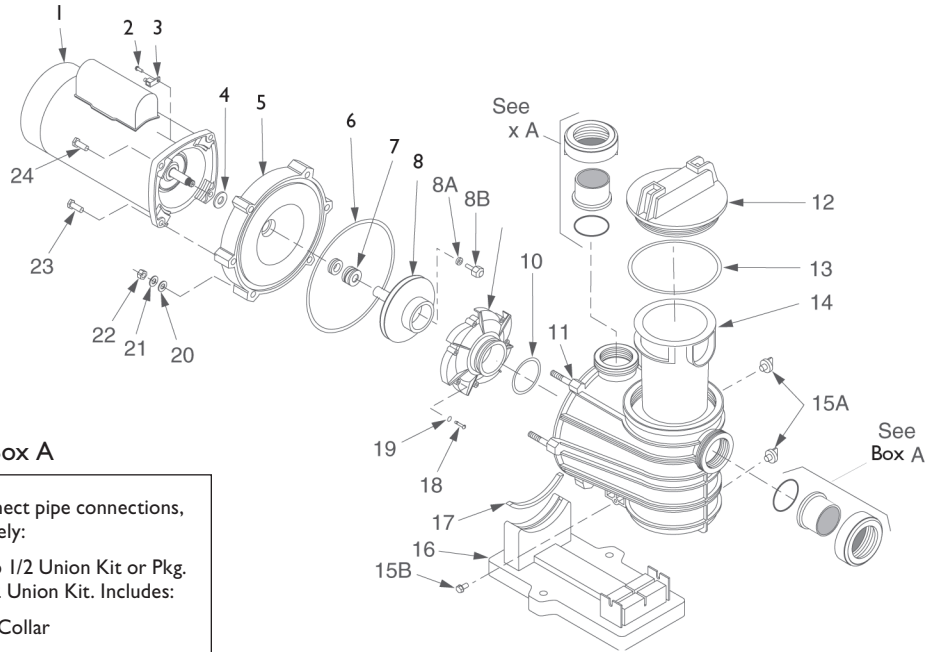
Parts are common to all models except as noted:
Part Nos. I, Motor; and IO, Impeller, are listed below.

Model No.	Pumps with Copper Insert	HP	Motor No. (Key No. I)	Impeller No. (Key No. 7)
MAX-E-GLAS II				
I15/230 Volt				
P4E6D-186L	(-150L)	3/4	AEI00DHL	CI05-238P
P4E6E-187L	(-151L)	1	AEI00EHL	CI05-238PB
230 Volt				
P4E6F-188L ⁵	(-152L)	1-1/2	AEI00FHL	CI05-238PDBA
P4E6G-189L ⁵	(-153L)	2	AEI00GHL	CI05-238PEBA
P4E6H-190L ⁵	(-154L)	3	AEI00HHL	CI05-238PLA
200 Volt				
P4E62D-186L	(-150L)	3/4	AEI00DH2	CI05-238P
P4E62E-187L	(-151L)	1	AEI00EH2	CI05-238PB
P4E62F-188L ⁵	(-152L)	1-1/2	AEI00FH2	CI05-238PDBA
P4E62G-189L ⁵	(-153L)	2	AEI00GH2	CI05-238PEBA
P4E62H-190L ⁵	(-154L)	3	AEI00HL2	CI05-238PLA
DURA-GLAS II				
I15/230 Volt				
P4R6E-187L	(-151L)	1	AI00EHL	CI05-238PB
230 Volt				
P4R6F-188L ⁵	(-152L)	1-1/2	AI00FHL	CI05-238PDBA
P4R6G-189L		2	AEI00GHL	CI05-238PEBA
200/400 Volt - 3 Phase				
P4R62D3-186L ⁵	(-150)	3/4	API00DH2	CI05-238PA
P4R62E3-187 ⁵	(-151)	1	API00EH2	CI05-238PBA
P4R62F3-188 ⁵	(-152)	1-1/2	API00FH2	CI05-238PDBA
P4R62G3-189 ⁵	(-153)	2	API00GH2	CI05-238PEBA
208-230/460 Volt - 3 Phase				
P4R6D3-186 ⁵	(-150)	3/4	API00DH	CI05-238PA
P4R6E3-187 ⁵	(-151)	1	API00EH	CI05-238PBA
P4R6F3-188 ⁵	(-152)	1-1/2	API00FH	CI05-238PDBA
P4R6G3-189 ⁵	(-153)	2	API00GH	CI05-238PEBA
200/230/460 Volt - 3 Phase				
P4R6H3-190 ⁵	(-154)	3	API00HL	CI05-238PLA

Item	Part No.	Description	US List	Can. List
MAX-E-GLAS II / DURA-GLAS II SERIES REPLACEMENT PARTS				
1	See Table	Motor	CALL	CALL
2	U30-692SS	Screw, 10-32 x 1/2 in.	1.75	1.96
2A	U43-22SS	Lockwasher	1.52	1.70
3	U17-568	Bonding Lug	8.65	9.69
4	I7351-0009	Water Slinger ⁴	1.49	1.67
5	C203-194P	Seal Plate Kit ^{1,3}	132.99	148.95
6	U9-228A	O-Ring	7.75	8.68
7	37400-0027S	Shaft Seal, Buna ²	22.99	25.75
7	37400-0028S	Shaft Seal, Viton	30.82	34.52
8	WC36-22	Clamp Knob	10.52	11.78
9	C19-37A	Clamp	82.85	92.79
10	See Table	Impeller	CALL	CALL
10A	37337-608I	Impeller Screw (Model CI05-238PBA)	17.87	20.01
10A	37337-6080	Impeller Screw (All models except CI05-238PBA)	15.30	17.14
11	CI-271PI	Diffuser - 1 HP & 1-1/2 HP	25.37	28.41
11	CI-271P	Diffuser - 1-3/4 thru 2-1/2 HP	24.50	27.44
12	U9-374	Diffuser O-Ring	4.63	5.19
13	U43-21SS	Lockwasher, #8	1.49	1.67
14	U30-542SS	Diffuser Screw, 3/4 HP & 1 HP	1.79	2.00
14	U30-922SS	Diffuser Screw, 1-1/2, thru 3 HP	0.86	0.96
15	C176-59P	Tank Body Assembly (includes Trap Cover, O-Ring, Basket)	223.83	250.69
16	C3-185P	Trap Cover	48.87	54.73
16	C3-185P3	Trap Cover - (Biguanide Resistant)	64.98	72.78
17	U9-375	Trap Cover O-Ring	13.25	14.84
18	C8-58P	Basket	10.95	12.26
19	U178-920P	Drain Plug 1/4 in. NPT with O-Ring	2.64	2.96
19A	U9-359	Drain Plug O-Ring	CALL	CALL
20	U30-918SS	Screw, Base	4.04	4.52
21	C4-78P	Base without Motor Pad	36.05	40.38
21	CI04-79P	Base with Motor Pad (3 HP only)	36.89	41.32
22	C35-43	Motor Pad	4.32	4.84
23	U30-74SS	Capscrew, 3/8-16 x 1 in.	3.49	3.91
23	U30-99SS	Capscrew, Socket Head, 3/8-16 x 1 in. (3 HP only)	6.95	7.78
NOT SHOWN				
	35505-1426	Impeller O-Ring	0.86	0.96

¹ Includes Seal Plate, Shaft Seal and Seal Plate O-Ring.
² Replaces U109-358SS (effective 6/00).
³ New Seal Plate design. See inset drawing on opposite page for models with Copper Insert, see Figure 5A.
⁴ Replaces C69-2 (effective 9/00).
⁵ Requires one Impeller Screw. See Repair Parts list.

Dyna-Glas® / Dyna-Max™ Series Replacement Parts



Box A

For quick disconnect pipe connections, purchase separately:

Pkg. 188-2 in. Slip 1/2 Union Kit or Pkg. 189-2 in. NPT 1/2 Union Kit. Includes:

U11-200P Union Collar

U9-362 O-Ring

U11-196P 2 in. Slip Adapter or
U11-199P 2 in. NPT Adapter.

POINT-OF-SALE, STOCK ROOM, SERVICE VEHICLE

Attractive, clamshell packaging contains recommended parts for seal/gasket servicing or complete overhaul of most swimming pool/spa pumps. Eliminate the need for large parts inventories, protect parts from damage, and reduce paperwork.

SEAL/GASKET KITS - Include Shaft Seal, Gaskets, and O-Rings

Pump Series		Parts Pak #
MPRA, MPEA		PP3000

OVERHAUL KITS - Include Impeller, Shaft Seals, Gaskets, O-Rings, Diffuser, Diffuser Screws and other appropriate hardware.

Pump Series	HP	Parts Pak #
MPRA, MPEA	3/4	PP3010
MPRA, MPEA	1	PP3011
MPRA, MPEA	1-1/2	PP3012
MPRA, MPEA	2	PP3013

Motor Chart

Model No.	HP	Motor No. (Key No. 1)
Single Speed 115/230/60/1		
MPRA6D-146L	3/4	A100DLL
MPRA6E-147L	1	A100ELL
MPRA6F-148L	1-1/2	A100FLL
MPEA6D-146L	3/4	AE100DLL
MPEA6E-147L	1	AE100ELL
MPEA6F-148L	1-1/2	AE100FLL
MPFA6D-176L	3/4	A100DLL
MPFA6E-146L	1	A100ELL
MPFA6F-147L	1-1/2	A100FLL
230/60/1		
MPRA6G-155L	2	A100GLL
MPEA6G-155L	2	AE100GLL
MPEAA6G-168L	2-1/2	AE100G5LL
Two Speed 230/60/1		
MPRA6YF-174L	1-1/2	A100FLL-Y
MPRA6YF-174LS	1-1/2	A100FLL-Y
MPEA6YG-175L	2	AE100GLL-Y
MPEA6YG-175LS	2	AE100GLL-Y
MPEAA6YG-168L	2-1/2	AE100G5LL-Y
MPEAA6YG-168LS	2-1/2	AE100G5LL-Y

Dyna-Glas® / Dyna-Max™ Series (Cont'd)

Replacement Parts



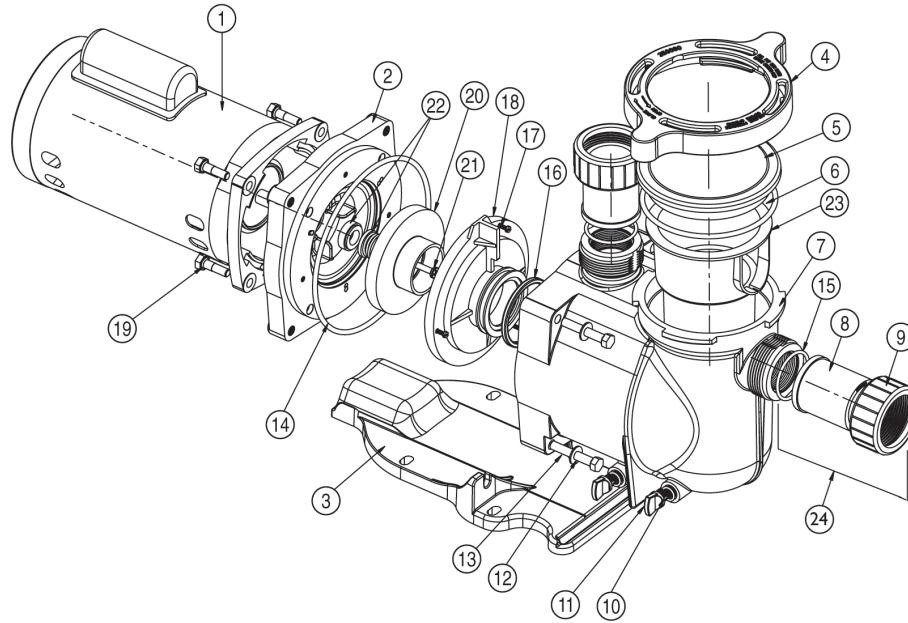
Item	Part No.	Description	US List	Can. List
DYNA-GLAS / DYNA-MAX REPLACEMENT PARTS				
1	Chart	Motor	CALL	CALL
2	U30-692SS	Screw #10-32 x 1/2 in.	1.75	1.96
3	U17-568	Bonding Lug	8.65	9.69
4	1735I-0009	Slinger	1.49	1.67
5	C3-184P	Seal Plate	93.32	104.52
6	U9-373	Seal Plate Cord Ring	7.52	8.42
7	37400-0027S	Shaft Seal ²	22.99	25.75
8	CI05-236P	Impeller, 3/4 HP - Models MPFA6D-176L, MPEA6D-146L, MPRA6D-146L, MPRA6D-146LC	37.67	42.19
8	CI05-236PB	Impeller, 1 HP - Models MPEA6F-148L, MPEA6E-147L, MPFA6E-146L, MPRA6E-147L, MPRA6E-147LC	37.67	42.19
8	CI05-236PC	Impeller, 1-1/2 HP - Models MPFA6F-147L, MPRA6F-148L, MPRA6F-148LC, MPRA6YF-174L, MPRA6YF-174LS	37.67	42.19
8	CI05-236PDA	Impeller, 2 HP - Models MPEA6G-155L, MPRA6G-155L, MPR6AG-155LC, MPEA6YG-175L, MPEA6YG-175LS	37.67	42.19
8	CI05-236PEA	Impeller, 2-1/2 HP - Models MPEAA6G-168L, MPEAA6YG-168L, MPEAA6YG-168LS	37.67	42.19
8	CI05-236PF	Impeller, 1-1/2 HP (MPRA6Y, MPEA6Y and MPEAA6Y only)	37.67	42.19
8	CI05-236GAB	Impeller, 2 HP (MPRA6Y, MPEA6Y and MPEAA6Y only)	37.67	42.19
8	CI05-236PEA	Impeller, 2-1/2 HP (MPRA6Y, MPEA6Y and MPEAA6Y only)	37.67	42.19
8	CI05-236PJ	Impeller, 3/4 HP (MPFA6D, MPFA6E, MPFA6F only)	37.67	42.19
8	CI05-236P	Impeller, 1 HP (MPFA6D, MPFA6E, MPFA6F only)	37.67	42.19
8	CI05-236PB	Impeller, 1 HP (MPFA6D, MPFA6E, MPFA6F only)	37.67	42.19
8A	33455-1047	Gasket - 2 HP, 2-1/2 HP	5.50	6.16
8B	37337-6080	Impeller Lock Screw	15.30	17.14

Item	Part No.	Description	US List	Can. List
9	CI-270P	Diffuser - 1-1/2 HP, 2 HP, 2-1/2 HP	23.36	26.16
9	CI-270PB	Diffuser - 3/4 HP, 1 HP (MPFA6D, MPFA6E, MPFA6F only)	23.36	26.16
9	CI-270PC	Diffuser - 1-1/2 HP (MPFA6D, MPFA6E, MPFA6F only)	23.36	26.16
10	U9-374	Diffuser O-Ring	4.63	5.19
11	C76-58P	Tank and Trap Body (Only)	194.41	217.74
12	C3-185P	Trap Cover	48.87	54.73
12A	C3-185P3	Trap Cover (Biquanide Resistant)	64.98	72.78
13	U9-375	Trap Cover O-Ring	13.25	14.84
14	C8-58P	Trap Basket	10.95	12.26
15A	U78-920P	Drain Plug without O-ring	1.57	1.76
15B	U30-919SS	Mounting Screw 5/16-14 x 5/8 in.	3.47	3.89
16	C4-77P	Base - Plastic	39.46	44.20
17	C35-45	Motor Pad - for Plastic Base	3.58	4.01
17	C35-5	Motor Pad - for Steel Base (LS Suffix)	19.99	22.39
18	U30-542SS	Screw #8-32 x 7/8 in. Rd. Hd.	1.79	2.00
19	U43-21SS	Lock Washer #8 Ext. Tooth	1.49	1.67
20	U43-62SS	Flat Washer 3/8 in.	1.49	1.67
21	U43-12SS	Lock Washer 3/8 in.	2.33	2.61
22	U36-38SS	Nut 3/8-16 Hex	2.20	2.46
23	U30-75SS	Cap Screws 3/8 x 16 x 1-3/4 in. Hex. (LS Suffix)	2.28	2.55
24	U30-74SS	Cap Screws 3/8 x 16 x 1 in. Hex ¹	3.49	3.91
NOT SHOWN				
	U43-12SS	Lock Washer 3/8 in. (LS Suffix)	2.33	2.61
	U9-359	Drain Plug O-Ring	CALL	CALL
	I7303-0113	Base - Steel (LS Suffix)	37.19	41.65
	U27-153	Voltage Sticker	0.74	0.83
	C63-12	Tag. "WARNING/CAUTION/Instructions..."	3.98	4.46

¹ Models with "LS" suffix use 2 only.

² Replaces U109-358SS (effective 6/00).

SuperMax® Pump Replacement Parts



Item	Part No.	Description	US List	Can. List
SINGLE SPEED MOTORS				
1	355371S	1/2 HP Motor, SQFL, 1 sp, 1 ph, 60 hz, 230/115V, Black	240.09	268.90
1	355371S	3/4 HP Motor, SQFL, 1 sp, 1 ph, 60 hz, 230/115V, Black	240.09	268.90
1	355339S	1 HP Motor, SQFL, 1 sp, 1 ph, 60 hz, 230/115V, Black	272.30	304.98
1	355340S	1-1/2 HP Motor, SQFL, 1 sp, 1 ph, 60 hz, 230/115V, black	302.72	339.05
1	355342S	2 HP Motor, SQFL, 1 sp, 1 ph, 60 hz, 230/115V, Black	375.08	420.09
1	355702S	2-1/2 HP Motor, SQFL, 1 sp, 1 ph, 60 hz, 230V, Black	443.02	496.18
2 SPEED MOTORS				
1	355232S	1 HP Motor, SQFL, 2 sp, 1 ph, 60 hz, 230V, Black	359.79	402.96
1	355376S	1-1/2 HP Motor, SQFL, 2 sp, 1 ph, 60 hz, 230V, Black	407.43	456.32
1	355377S	2 HP Motor, SQFL, 2 sp, 1 ph, 60 hz, 230V, Black	493.26	552.45
SUPERMAX HIGH PRESSURE PUMPS				
2	355612	Seal Plate, Black	69.31	77.63
3	351094	Base, Black	76.58	85.77
4	351090	Clamp, Ramp & Cam, Black	32.21	36.08
5	350091	Lid	25.84	28.94
6	357255	O-ring, Lid #2-357	4.39	4.92
7	351089	Volute, Black	217.66	243.78
8	350093	Adapter, 2 req.	14.46	16.20
9	270141	Nut, 2 req.	15.51	17.37
10	192115	O-Ring Drain Plug, 2 req.	1.00	1.12
11	357161	Drain Plug, 2 req.	3.19	3.57
12	355621	Scew 3/4-16 x 2-1/4 HEX HD,4 req.	3.97	4.45
13	072184	Washer 3/8 in. S/S, 4 req.	1.24	1.39

Item	Part No.	Description	US List	Can. List
14	355619	O-Ring Seal Bracket	8.60	9.63
15	350099	O-Ring Adapter #2-226, 2 req.	CALL	CALL
16	355030	Seal Diffuser	7.45	8.34
17	355334	Screw #8-32 HEX Washer HD, 3 req.	1.24	1.39
DIFFUSERS				
18	355617	Diffuser, 1/2 HP	76.36	85.52
18	355617	Diffuser, 3/4 HP	76.36	85.52
18	355617	Diffuser, 1 HP	76.36	85.52
18	355618	Diffuser, 1-1/2 HP	76.36	85.52
18	355618	Diffuser, 2 HP	76.36	85.52
18	350170	Diffuser, 2-1/2 HP	75.21	84.24
19	354290	Hex head screw, 3/8, 16, 4 req.	2.11	2.36
IMPELLERS				
20	355043	Impeller 1/2 HP	43.29	48.48
20	355043	Impeller 3/4 HP	43.29	48.48
20	355067	Impeller 1 HP	44.15	49.45
20	355074	Impeller 1-1/2 HP	44.69	50.05
20	355086	Impeller 2 HP	44.99	50.39
20	355093	Impeller 2-1/2 HP	45.81	51.31
20	355067	Impeller 1 HP, 2-SPD	44.15	49.45
20	355074	Impeller 1-1/2 HP, 2-SPD	44.69	50.05
20	355086	Impeller 2 HP, 2-SPD	44.99	50.39
21	355389	Screw, Impeller Locking	1.24	1.39
22	354545S	Seal Set	22.77	25.50
23	355667	Basket, Large	17.82	19.96
24	351157	SuperMax Union Kit (includes 2 of Items 8, 9, & 15)	67.31	75.39

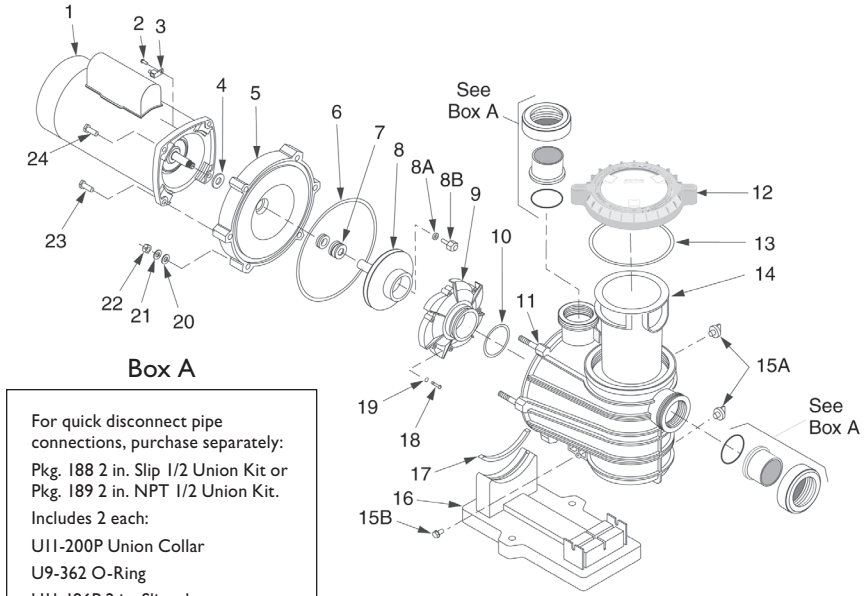
Dyna-Pro® / Dyna-Pro® E Pumps

1/2 through 2-1/2 HP Models, Single Speed and Two Speed Replacement Parts



Motor Chart

Model No.	HP	Motor No. (Key No. I)
Single Speed 115/230/60/1		
MPRA6D-204L	3/4	A100DLL
MPRA6E-205L	1	A100ELL
MPRA6F-206L	1-1/2	A100FLL
MPEA6D-204L	3/4	AEI00DLL
MPEA6E-205L	1	AEI00ELL
MPEA6F-206L	1-1/2	AEI00FLL
MPE6C-204L	1/2	AEI00CHL
MPE6D-205L	3/4	AEI00DHL
MPE6E-206L	1	AEI00EHL
230/60/1		
MPRA6G-207L	2	A100GLL
MPEA6G-207L	2	AEI00GLL
MPEAA6G-208L	2-1/2	AEI00G5LL
MPE6F-207L	1-1/2	AEI00FHL
MPE6G-208L	2	AEI00G5HL
Two Speed 230/60/1		
MPRA6YF-206L	1-1/2	A100FLL-Y
MPEA6YG-207L	2	AEI00GLL-Y
MPEAA6YG-208L	2-1/2	AEI00G5LL-Y
MPE6YF-207L	1-1/2	AEI00GLL-Y
MPE6YG-208L	2	AEI00G5LL-Y



Box A

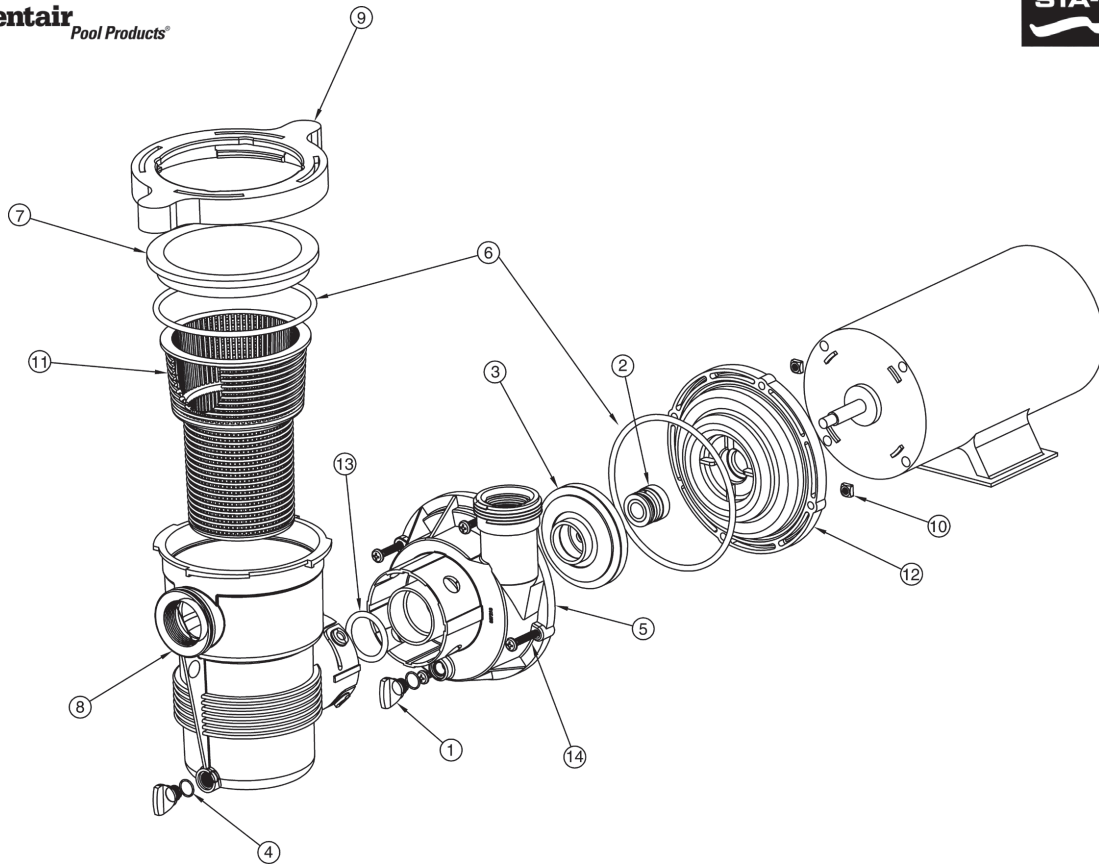
For quick disconnect pipe connections, purchase separately:
 Pkg. 188 2 in. Slip 1/2 Union Kit or
 Pkg. 189 2 in. NPT 1/2 Union Kit.
 Includes 2 each:
 U11-200P Union Collar
 U9-362 O-Ring
 U11-196P 2 in. Slip adapter or
 U11-199P 2 in. NPT adapter.

Item	Part No.	Description	US List	Can. List
DYNA-PRO REPLACEMENT PARTS				
2	U30-692SS	Screw #10-32 x 1/2 in.	1.75	1.96
3	U17-568	Bonding Lug	8.65	9.69
4	I7351-0009	Slinger	1.49	1.67
5	C3-184P9	Seal Plate	CALL	CALL
6	U9-373	Seal Plate Cord Ring	7.52	8.42
7	37400-0027S	Shaft Seal	22.99	25.75
8	CI05-236P	Impeller, 1/2 HP - Models MPEA6D-204L, MPE6C-204L, MPRA6D-204L	37.67	42.19
8	CI05-236PB	Impeller, 1 HP - Models MPEA6E-205L, MPE6D-205L, MPRA6E-205L, MPRA6E-147L, MPRA6E-147LC	37.67	42.19
8	CI05-236PC	Impeller, 1-1/2 HP - Models MPEA6F-206L, MPE6E-206L, MPRA6F-206L, MPRA6YF-206L,	37.67	42.19
8	CI05-236PDA	Impeller, 2 HP - Models MPEA6G-207L, MPE6F-207L, MPEA6YG-207L, MPE6YF-207L, MPRA6G-207	37.67	42.19
8	CI05-236PEA	Impeller, 2-1/2 HP - Models MPEAA6G-208L, MPA6G-208L, MPEAA6YG-208L, MPE6G-208L	37.67	42.19
8A	33455-1047	Gasket, Models MPEA6G-207L, MPE6F-207L, MPEA6YG-207L, MPE6YF-207L, MPRA6G-207	5.50	6.16
8A	33455-1047	Gasket, Models MPEAA6G-208L, MPA6G-208L, MPEAA6YG-208L, MPE6G-208L	5.50	6.16
8B	37337-6080	Impeller Lock Screw, Models MPEA6G-207L, MPE6F-207L, MPEA6YG-207L, MPE6YF-207L, MPRA6G-207	15.30	17.14
8B	37337-6080	Impeller, Models MPEAA6G-208L, MPA6G-208L, MPEAA6YG-208L, MPE6G-208L	15.30	17.14
9	CI-270PB	Diffuser - 1/2 HP	23.36	26.16

Item	Part No.	Description	US List	Can. List
9	CI-270PC	Diffuser - 1 HP	23.36	26.16
9	CI-270P	Diffuser - 1-1/2 HP	23.36	26.16
9	CI-270P	Diffuser - 2 HP	23.36	26.16
9	CI-270P	Diffuser - 2-1/2 HP	23.36	26.16
10	U9-374	Diffuser O-Ring	4.63	5.19
11	C76-71P	Tank and Trap Body (Only)	217.01	243.05
12	C3-185P	Trap Cover	48.87	54.73
12	17307-0111	Trap Lid and Ring Assembly	CALL	CALL
13	35505-1440	Trap Cover O-Ring	14.75	16.52
14	C8-58P	Trap Basket	10.95	12.26
15A	U178-920P	Drain Plug	2.64	2.96
15B	U30-919SS	Mounting Screw 5/16-14 x 5/8 in.	3.47	3.89
16	C4-77P	Base - Plastic	39.46	44.20
17	C35-45	Motor Pad - for Plastic Base	3.58	4.01
18	U30-542SS	Screw #8-32 x 7/8 in. Rd. Hd.	1.79	2.00
19	U43-21SS	Lock Washer #8 Ext. Tooth.	1.49	1.67
20	U43-62SS	Flat Washer 3/8 in.	1.49	1.67
21	U43-12SS	Lock Washer 3/8 in.	2.33	2.61
22	U36-38SSW	Nut 3/8-16 Hex	CALL	CALL
23	U30-75SS	Cap Screws 3/8-16 x 1-1/4 in. Hex. (LS Suffix)	2.28	2.55
24	U30-74SS	Cap Screws 3/8-16 x 1 in. Hex.	3.49	3.91
NOT SHOWN				
	32155-4071	Nameplate	CALL	CALL
	61002-0012	Tag, "CAUTION This pump equipped with mechanical shaft seal..."	CALL	CALL
	U27-153	Voltage Sticker	0.74	0.83
	C63-12	Tag, "WARNING/CAUTION/Instructions..."	3.98	4.46

OptiFlo® Pumps

Replacement Parts for Swimming Pool Pumps

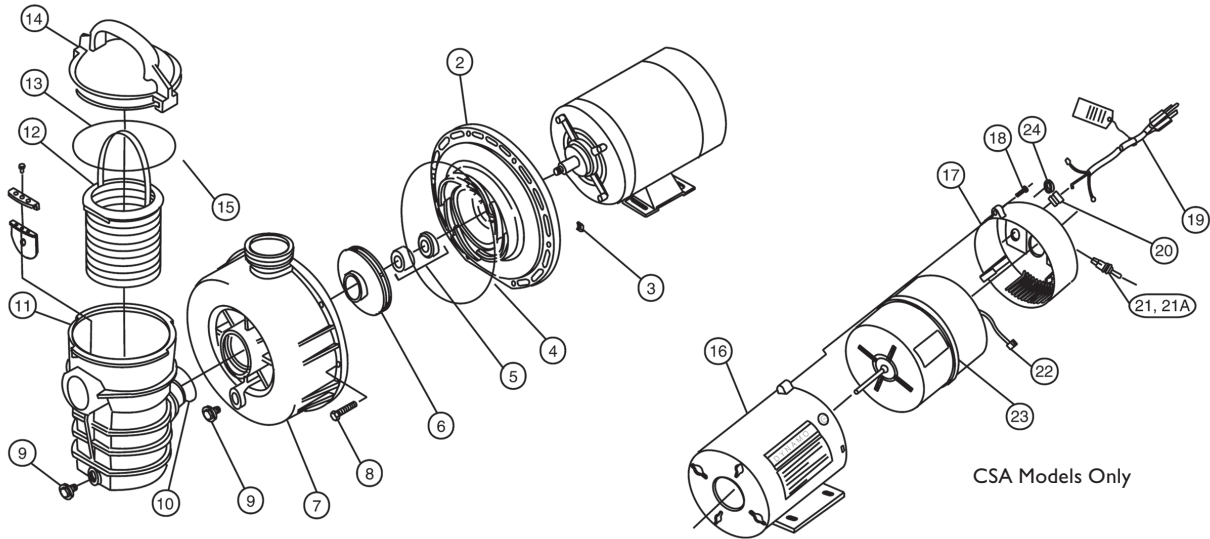


Item	Part No.	Description	US List	Can. List
OPTIFLO PUMPS				
1	357161	Drain plug	3.19	3.57
2	354545S	Mechanical seal	22.77	25.50
3	350017	Impeller, 1 HP	48.03	53.79
3	354552	Impeller, 3/4 HP	23.44	26.25
3	350018	Impeller, 1-1/2 HP	52.42	58.71
4	192115	O-ring	1.00	1.12
5	357213	Volute ¹	CALL	CALL
6	357255	O-ring 2-357	4.39	4.92
7	357227	Lid	9.49	10.63
8	357228	Pot ¹	CALL	CALL
9	357239	Clamp ring	11.50	12.88
10	357254	1/4-20 Square nut	1.12	1.25
11	355667	Basket	17.82	19.96
12	357215	Seal plate	27.16	30.42
13	350103	O-ring 2-130	4.39	4.92
14	98209000	1/4-20 x 1-1/2 Machine screw	1.63	1.83
NOT SHOWN				
	79137800	3 ft. cord - standard	51.18	57.32
	155234	3 ft. cord - TW	64.46	72.20

¹ Includes drain plugs.

Dynamo® Pumps

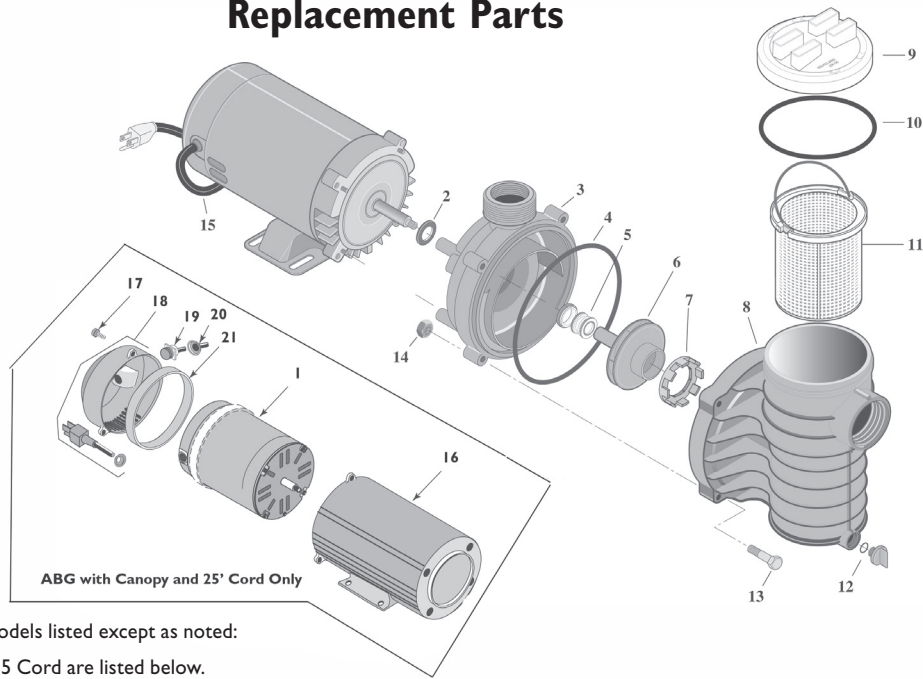
Replacement Parts for Swimming Pool Pumps



Item	Part No.	Description	US List	Can. List
DYNAMO PUMPS				
MOTORS				
2	354632	Diffuser, 3/4 HP bracket	85.16	95.38
2	354633	Diffuser, 1, 1-1/2 HP bracket	85.16	95.38
3	354542	Nut, 10-24 SS, 6 req.	1.24	1.39
4	354634	O-ring, 3/16 in. bracket diffuser	6.41	7.18
5	354545S	Seal, 5/8 in. mechanical	22.77	25.50
6	353002	Impeller, 1/2 HP	28.83	32.29
6	354552	Impeller, 3/4 HP	23.44	26.25
6	355122	Impeller, 1 HP	27.21	30.48
7	354630	Housing, body	94.46	105.80
8	354541	Screw, 10-24-1-1/2 in. slotted hex, 6 req.	1.70	1.90
9	154481	Plug, 1/4 in. drain, 2 req.	1.33	1.49
10	273062	O-ring	1.28	1.43
11	354530	Pot	83.69	93.73
12	354548	Basket w/handle	15.29	17.12
13	354533	O-ring, lid	7.16	8.02
14	354531	Lid, universal	45.39	50.84
14	354113	Chemical Resistant Lid	45.39	50.84
15	354103	Pot assembly	180.49	202.15
16	354621	Body, motor enclosure	39.15	43.85
17	354881	Cap, motor enclosure	50.93	57.04

Item	Part No.	Description	US List	Can. List
18	154716	Screw, No.10 self tapping	0.58	0.65
19	155371	Cord, 25 ft.	61.60	68.99
20	41412700	Bushing connector	8.52	9.54
21	155187	Switch, on/off toggle (CSA)	17.45	19.54
21A	356546	Switch, three position toggle (Hi/Low/Off)	44.48	49.82
22	155193	Wire, 6 in. jumper	5.13	5.75
23	354658	Insulation, foam strip adhesive backing	1.70	1.90
24	350024	Locknut, steel 1-1/2 in.	0.70	0.78
NOT SHOWN				
	352256	Nut, 1-1/2 in. quick connect, 2 req.	7.93	8.88
	354571	O-ring, 2 req.	2.77	3.10
	79137800	3 ft. cord standard assembly	51.18	57.32
	352245	Strain relief bushing for cords	2.21	2.48
	155295	Photo sensor add-on, used on 3/4 & 1 HP only	163.62	183.25
	350444	Motor switch assembly, on/off	37.95	42.50
	153263	Base CSA 4 in.	67.88	76.03
	155234	3 ft. cord TW	64.46	72.20

ABG Series Replacement Parts



Parts are common to all models listed except as noted:

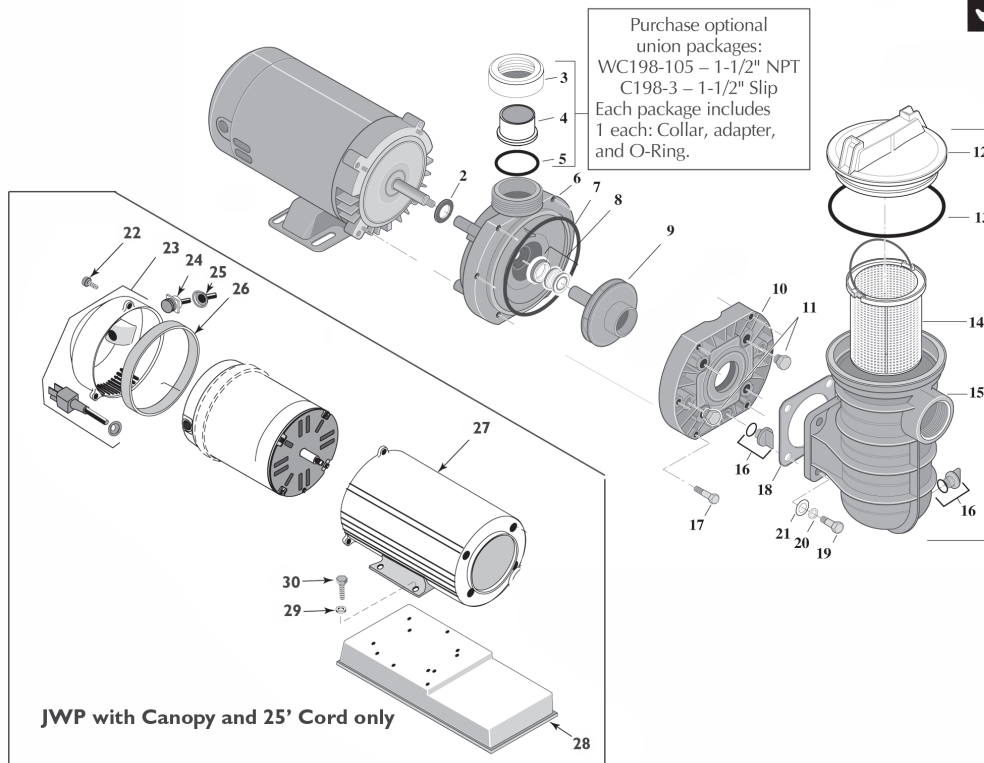
Key Nos. 6, Impeller; and 15 Cord are listed below.

Model No.	HP	Impeller No. Key No. 6	Cord No. Key No. 15
115 Volt/1-Speed, Top Discharge			
ABG4C-3A4	1/2	17301-0114	31953-0116
ABG4C7-3A4	1/2	17301-0114	31953-0116
ABG4DL-2A1	3/4	17301-0113	31953-0101
ABG4D-2A4	3/4	17301-0113	31953-0116
ABGS4D-3A4	3/4SPL	17301-0114	31953-0116
ABGS4DL-3A4	3/4SPL	17301-0114	31953-0116
ABG4EL-2A1	1	17301-0112	31953-0101
ABG4EL-2A2	1	17301-0112	U117-1117
ABG4E-2A4	1	17301-0112	31953-0116
ABG4E-2A4SP	1	17301-0112	31953-0116
ABGS4E-3A4	1SPL	17301-0113	31953-0116
ABG4FL-A2	1SPL	17301-0111	U117-1117
ABG4FL-2A1	1-1/2	17301-0111	31953-0101
ABGS4F-2A4	1-1/2SPL	17301-0112	31953-0116
ABGS4F-A2	1-1/2SPL	17301-0112	U117-1117
115 Volt/1-Speed, Side Discharge			
ABG4D7L-2A1	3/4	17301-0113	31953-0101
ABG4D7-2A4	3/4	17301-0113	31953-0116
ABGS4D7-3A4	3/4SPL	17301-0114	31953-0116
ABG4E7L-2A1	1	17301-0112	31953-0101
ABG4E7L-2A2	1	17301-0112	U117-1117
ABG4E7-2A4	1	17301-0112	31953-0116
ABG4E7-2A4SP	1	17301-0116	31953-0116
ABG4E7-2A4SPH	1	17301-0113	31953-0116
ABGS4E7-3A4	1SPL	17301-0113	31953-0116
ABG4F7L-2A1	1-1/2	17301-0111	31953-0101
ABGS4F7-2A4	1-1/2SPL	17301-0112	31953-0116
115 Volt/2-Speed, Top Discharge			
ABG4YD-A1	3/4	17301-0113	31953-0101
ABG4YD-A2	3/4	17301-0113	U117-1117
ABG4YE-2A4	1	17301-0112	31953-0116
ABG4YF-A2	1-1/2	17301-0112	U117-1117
ABGS4YF-A1	2SPL	17301-0111	31953-0101
ABGS4YF-A2	2SPL	17301-0111	U117-1117
115 Volt/2-Speed, Side Discharge			
ABG4YE7-2A4	1	17301-0112	31953-0116
ABGS4YE7-A1	1SPL	17301-0113	31953-0101
ABGS4YE7-A2	1SPL	17301-0113	U117-1117
ABG4YF7-A2	1-1/2	17301-0111	U117-1117
ABGS4YF7-A1	1-1/2SPL	17301-0112	31953-0101
ABGS4YF7-A2	1-1/2SPL	17301-0112	U117-1117
115 Volt with 25 ft cord, canopy and on/off switch			
ABG-4EC-2A3	1	17301-0112	See parts list

Item	Part No.	Description	US List	Can. List
ABG SERIES REPLACEMENT PARTS				
2	C69-2	Slinger	5.54	6.20
3	17500-0001	Seal Plate	41.85	46.87
4	35505-1438	Seal Plate O-Ring	7.16	8.02
5	37400-0027S	Shaft Seal	22.99	25.75
6	See Chart	Impeller	CALL	CALL
7	17500-0004	Floating Wear Ring	7.16	8.02
8	17500-0002	Trap Body	62.17	69.63
9	17500-0003	Trap Lid	23.91	26.78
10	35505-1437	Trap Lid O-Ring	2.92	3.27
11	17350-0100	Trap Basket	20.31	22.75
12	U178-920P	Drain Plug	2.64	2.96
13	30787-0005	Hex Head Bolt, 1/4-20 x 1-3/4 in.	3.70	4.14
14	35402-0071	Hex Nut	0.31	0.35
15	See Chart	Cord	CALL	CALL
ABG WITH CANOPY AND 25 ft. CORD				
16	17190-0021	Motor Cover	59.07	66.16
17	154716	End Cap Screw	0.58	0.65
18	17190-0026	End Cap and Cord Assembly	125.22	140.25
19	16920-0511	Toggle Switch	19.58	21.93
20	32800-0107	Toggle Switch Boot	13.71	15.36
21	17290-0004	Baffle Ring	5.45	6.10
NOT SHOWN				
	17290-0001	Base Mount Hardware Kit ¹ (2 Bolts, 2 Washers)	7.14	8.00
	U33-155	Nameplate	1.86	2.08
	C63-12	Caution Tag	3.98	4.46
	U27-558	Decal - "GFCI Required"	CALL	CALL

¹ Included with top discharge pumps only.

JWP Series Replacement Parts

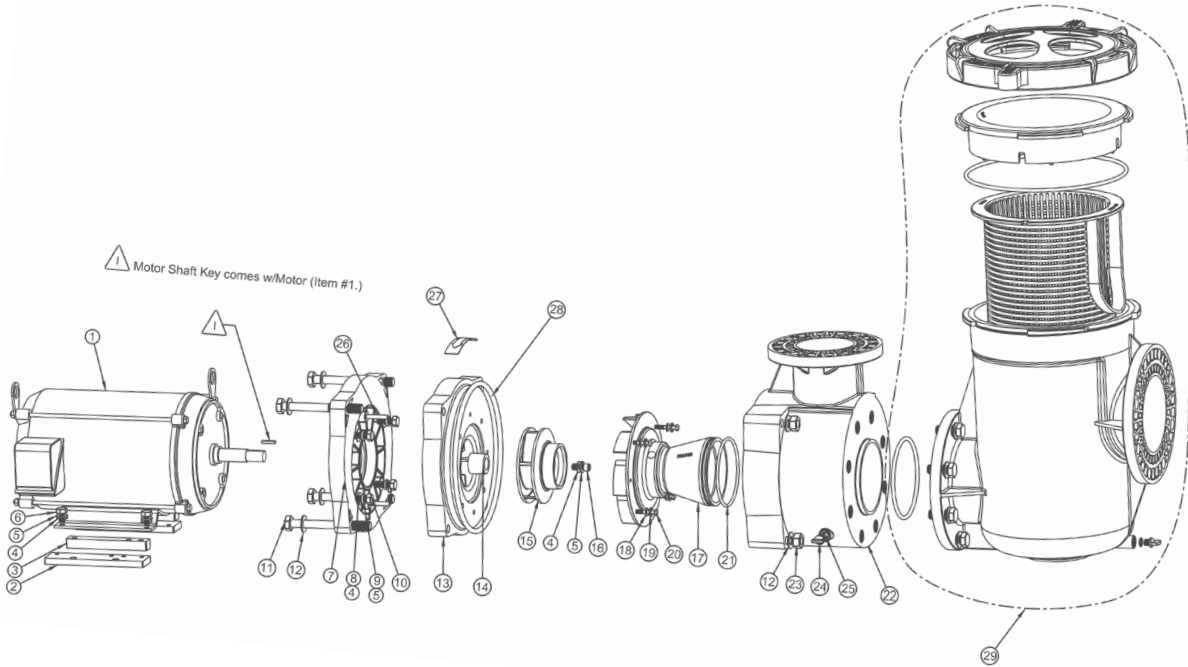


JWP with Canopy and 25' Cord only

Item	Part No.	Description	US List	Can. List
JWP SERIES PUMPS				
2	17351-0009	Water Slinger	1.49	1.67
3	U11-182PM	Collar, Union	11.81	13.23
4	U11-183PM	Adapter, Union	9.53	10.67
5	U9-226	O-Ring	1.79	2.00
6	17301-0150	Seal Plate	53.89	60.36
7	35505-1438	O-Ring	7.16	8.02
8	37400-0027S	Shaft Seal	22.99	25.75
9	CI05-228PJ	Impeller - 1/2 HP	49.25	55.16
9	CI05-228PH	Impeller - 3/4 HP	44.32	49.64
9	CI05-228PG	Impeller (1 HP, 1-1/2 HP)	44.32	49.64
9	CI05-228PWBS	Impeller, Model JWPA5DC-2A3	57.09	63.94
9	CI05-228PWS	Impeller, Model JWPA5EC-2A3, JWPS5FC-2A3, 17290-J1002, JWPA5YEL-4A3, JWPS5YFL-4A3	57.09	63.94
10	CI01-272PS	Front Plate Assembly	71.42	79.99
11	WC78-40T	Drain Plug, 1/4 in., taped	2.64	2.96
12	CI03-139PI	Trap Cover, w/ O-Ring	CALL	CALL
12	C3-139P3	Trap Cover (Biguanide Resistant)	59.30	66.42
13	U9-229	O-Ring, Trap Cover	10.71	12.00
14	CI08-33P	Strainer Basket	10.14	11.36
15	CI53-53PI	Trap Body	88.39	99.00
16	U178-920P	Pipe Plug, 1/4 in. NPT (with O-Ring)	2.64	2.96
17	30787-0005	Bolt, Hx Head, 1/4-20 x 1-3/4 in.	3.70	4.14
18	C20-123	Gasket, Suction	7.13	7.99

Item	Part No.	Description	US List	Can. List
19	U30-64SS	Capscrew, 5/16-18 x 1-1/4 in.	3.20	3.58
20	U43-11SS	Lockwasher, 5/16 in.	1.79	2.00
21	U43-11SS	Washer, 5/16 in. Flat	1.79	2.00
JWP SERIES WITH CANOPY AND 25 ft. CORD				
22	I54716	End Cap Screw	0.58	0.65
23	17190-0026	End Cap and Cord Assembly, 1 SP Models	125.22	140.25
23	17190-0028	End Cap and Cord Assembly, 2 SP Models	CALL	CALL
24	I6920-0511	Toggle Switch	19.58	21.93
25	32800-0107	Toggle Switch Boot	13.71	15.36
26	17290-0004	Baffle Ring	5.45	6.10
27	17190-0021	Motor Cover	59.07	66.16
28	17190-0023	Mounting Foot	65.40	73.25
29	U43-117SS	Plain Washer	CALL	CALL
30	U30-52SS	Cap Screw	0.78	0.87
NOT SHOWN				
	U117-1117	Cord Assembly, Straight Plug	28.45	31.86
	31953-0101	Cord Assembly, Twist-Lok Plug	39.41	44.14
	31953-0116	Cord Assembly, 6 ft. Non-UL	14.21	15.92
	32155-4073	Nameplate	CALL	CALL
	U27-558	Decal - "GFCI Required"	CALL	CALL
	61002-0002	Tag - Do Not Use Pipe Dope	CALL	CALL

EQ Series® Commercial Plastic Pump Replacement Parts



Part No.	Model No.	HP	Phase	Motor Support (Item No. 2)	Additional Motor Support (Item No. 3)	Motor No. (Item No. 1)	Impeller (Item No. 15)	Diffuser (Item No. 17)
340019, 340030	EQ500	5	1	356713	356712	357065S	350030	350032
340020, 340031	EQK500	5	3	356713	356712	357068S	350030	350032
340021, 340032	EQ750	7-1/2	1	356713	N/A	357066S	350029	350033
340022, 340033	EQK750	7-1/2	3	356713	356712	357069S	350029	350033
340237, 340238	EQ1000	10	1	356713	N/A	357063S	350028	350033
340023, 340034	EQK1000	10	3	356713	N/A	357070S	350028	350033
340024, 340035	EQK1500	15	3	356713	N/A	357071S	350027	356735
340045, 340047	EQK1000 EXPL PF	10	3	356713	N/A	350112S	350027	356735
340046, 340048	EQK750 EXPL PF	7-1/2	3	356713	N/A	350113S	350028	350033
340049, 350083	EQK1000	10	3	356713	N/A	350153S	350027	356735
340080, 340084	EQK750	7-1/2	3	356713	N/A	350154S	350028	350033
340081, 340085	EQK500	5	3	356713	356712	350155S	350029	350033
340082, 340086	EQK300	3	3	356713	356712	350156S	350030	350032
340018, 340029	EQK500	5	3	356713	356712	350158S	350070	357273
340017, 340028	EQ500	5	1	356713	356712	350159S	350070	357273
340148, 340155	EQK500 575V	5	3	356713	356712	355038S	350030	350032
340149, 340156	EQK750 575V	7-1/2	3	356713	356712	355039S	350029	350033
340150, 340157	EQK1000 575V	10	3	356713	N/A	355042S	350028	350033
340151, 340159	EQK1500 575V	15	3	356713	N/A	355044S	350027	356735
340014, 340026	EQ300	3	1	356713	356712	357064S	350027	356735
340016, 340027	EQK300	3	3	356713	356712	357067S	350027	356735

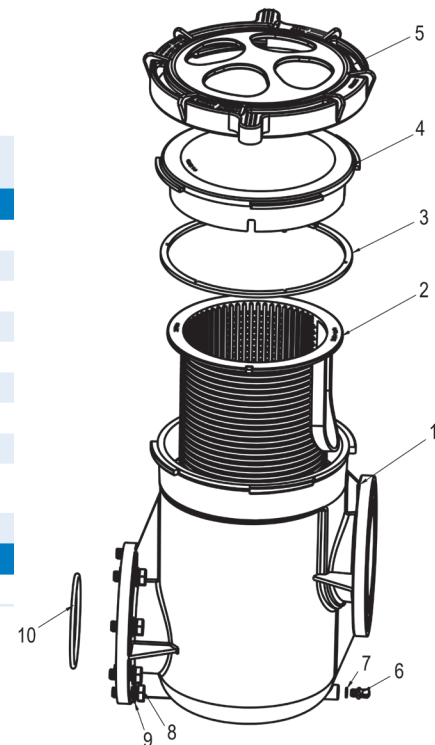
EQ Series® Commercial Plastic Pump

Replacement Parts

Item	Part No.	Description	US List	Can. List
EQ SERIES PUMP				
1		Motor - See Table on Prev Page	CALL	CALL
2		Support - Motor - See Table on Prev Page	CALL	CALL
3		Support Adapter - See Table on Prev Page	CALL	CALL
4	072184	Washer, Flat 3/8 in. ID x 7/8 in. OD .05 Thk 18-8 s/s - (qty.51 & qty.9)	1.24	1.39
5	98220600	Washer Split Lock 3/8 in. 18-8 s/s - (qty. 51 & qty. 9)	1.24	1.39
6	A135	Screw 3/8 in.-16 x 3/4 in. Hx Hd Cap 18-8 s/s (EQ750...1PH, EQ1000, EQ1500) - (qty. 4)	9.87	11.05
6	350073	Screw 3/8 in.-16 x 1-1/2 Hx Hd Cap 18-8 s/s (EQ300, EQ500, EQ750...3PH) - (qty.4)	4.55	5.10
7	356790	Adapter - Motor - EQ Series	816.51	914.49
8	075842	Washer, Flat 1/2 in. ID x 1-1/4 in. OD .125 Thk 300 s/s - (qty. 4)	1.24	1.39
9	350063	Washer Split Lock 1/2 in. 18-8 s/s - (qty.4)	5.83	6.53
10	354290	Screw 3/8 in.-16 x 1 in. Hx Hd Cap 18-8 s/s (EQ300, EQ500, EQ750...3PH) - (qty. 4)	2.11	2.36
10	071687	BLT 1/2-13 x 1.25 STL HH SS (qty. 4)	5.13	5.75
11	356710	Screw 5/8 in.-11 x 6-1/2 in. Hx Hd Cap 18-8 s/s - (qty. 4)	CALL	CALL
12	356789	Washer, Flat 11/16 in. IDx1 - 5/16 in. OD .078 Thk 300 s/s (qty. 8)	111.50	124.88
13	356795	Seal Plate - EQ Series	1.24	1.39

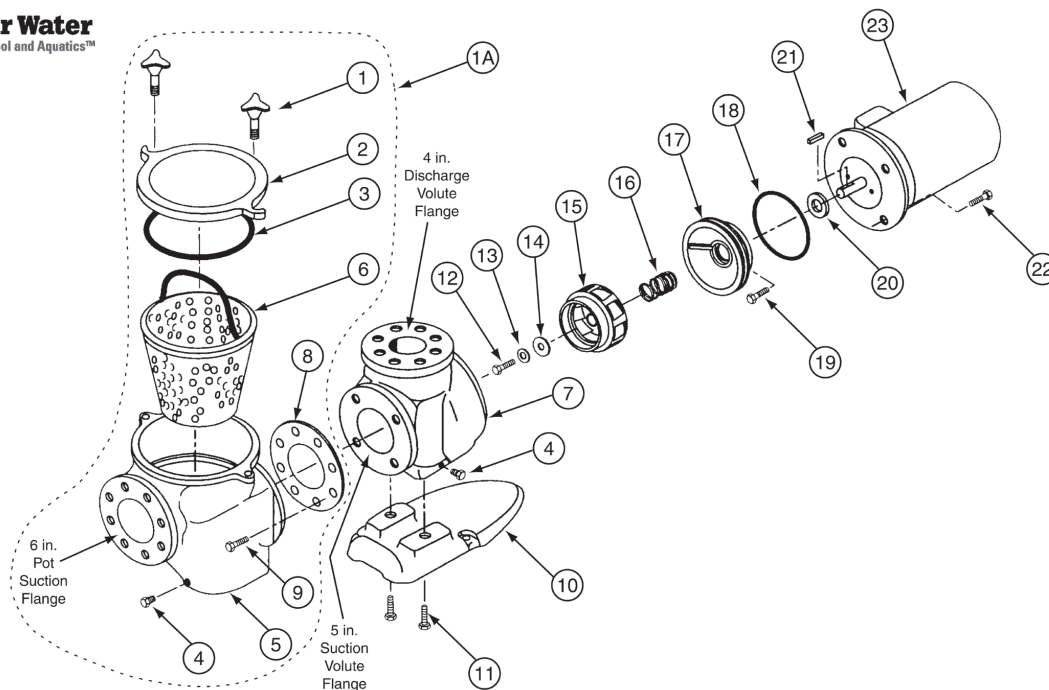
Item	Part No.	Description	US List	Can. List
14	071725S	Seal Set	964.96	1080.76
15		Impeller - See Table on Prev Page	40.51	45.37
16	071037	Screw 3/8 in.-16 x 1 in. Sckt. Hd Cap 18-8 s/s	5.26	5.89
17		Diffuser - See Table on Prev Page	CALL	CALL
18	51008500	Washer, Flat 1/4 in. 300 s/s - (qty. 4)	3.31	3.71
19	072172	Washer Split Lock 1/4 in. 18-8 s/s - (qty. 4)	0.20	0.22
20	350035	Screw 1/4 in.-20 x 1-1/2 in. Hx Hd Cap 18-8 s/s (EQ500, EQ750, EQ1000) - (qty. 4)	4.34	4.86
20	356797	Screw 1/4 in.-20 x 1-3/4 in. Hx Hd Cap 18-8 s/s (EQW300, EQ1500) - (qty. 4)	4.89	5.48
21	350037	O-ring Diffuser 3/16 in. x 4-7/8 in.	15.13	16.95
22	356755	Housing - EQ Series	2903.70	3252.14
23	356776	Nut 5/8 in.-11 Hx Brass - (qty. 5)	14.27	15.98
24	357161	Drain Plug	3.19	3.57
25	192115	O-ring Drain Plug	1.00	1.12
26	350060	Pin Dowel 5/16 in. x 1-3/4 in. 18-8 s/s - (qty. 2)	20.92	23.43
28	356780	O-ring Seal Plate 3/8 in. x 11 in. dia.	44.95	50.34
29	340013	Strainer Pot, Complete EQ 6 in. x 6 in.	2500.62	2800.69

Item	Part No.	Description	US List	Can. List
EQ SERIES HAIR & LINT STRAINER				
1	356725	Pot EQ strainer	1943.53	2176.75
2	357184	Basket EQ strainer	181.00	202.72
3	350166	Gasket, EQ lid	18.23	20.42
4	356750	Lid EQ clear	410.19	459.41
5	350171	Clamp Cam & Ramp™ EQ	566.75	634.76
6	357161	Drain Plug	3.19	3.57
7	192115	O-ring drain plug	1.00	1.12
8	356788	Screw, 5/8 in., 11 x 1-3/4 in. hx hd cap 18-8 SS (qty. 8)	8.98	10.06
9	356789	Washer, flat 11/16 in. ID x 1-5/16 in. OD 0.078 thk 300 SS (qty. 8)	1.24	1.39
10	350013	O-ring pot flange	2.45	2.74
NOT SHOWN				
	350087	Pressure relief valve, 1/4 in. NPT	55.98	62.70



C Series® Pump

Replacement Parts for Commercial High Performance Pumps



Item	Part No.	Ref. No.	Description	US List	Can. List
C SERIES PUMPS					
1	075280	54475280618	Hand nut assembly, bronze, 2 req.	112.74	126.27
1A	072747		C series pot assembly ¹	5113.63	5727.27
2	075275	26075275219	Cover, C16, bronze	817.75	915.88
3	071433	3640525457	O-ring, C-18	7.73	8.66
4	071551	6000002190	Plug pipe, 1/4 in. bronze, 1 req.	4.59	5.14
5	075271	79675271199	Pot mach. bronze	3874.00	4338.88
6	072795	70472795100	Basket, C-29 SS 11 in.	384.73	430.90
7	075273	18075273199	Volute, C-2 bronze	3821.73	4280.34
8	070943	36470943603	Gasket flange, P-135, 5 in.	23.70	26.54
9	071683	1680634104	Screw, 3/4, 10 x 1-3/4 hh. brs. P-12, 4 req.	29.60	33.15
10	075287	82075287632	Foot, C-4 coated	85.16	95.38
11	071688	1680558359	Screw, 5/8, 11 x 1 stl. hh., 2 req.	1.56	1.75
12	071037	1680115104	Impeller, C-35 lock screw	5.26	5.89
13	071048	90871048212	Impeller, washer, C-71	11.90	13.33
14	075713	3642034603	Impeller, washer gasket	1.24	1.39
15	073828	44473328208	Impeller, CH-50/CHK-50/CHKL-50, 5HP, 1PH, 3PH, high hd.	1262.00	1413.44
15	070228	44470228208	Impeller, CM-50/CMK-50/CMKL-50, 5HP, 1PH, 3PH, med. hd.	1262.00	1413.44
15	073829	44473829208	Impeller, CH-75/CHK-75/CHKL-75, 7.5HP, 1PH, 3PH, high hd.	1262.00	1413.44
15	070227	44470227208	Impeller, CM-75/CMK-75/CMKL-75, 7.5HP, 1PH, 3PH, med. hd.	1262.00	1413.44
15	073830	44473830208	Impeller, CH-100/CHK-100/CHKL-100, 10HP, 1PH, 3PH, high hd.	1262.00	1413.44
15	070226	44470226208	Impeller, CM-100/CMK-100/CMKL-100, 10HP, 1PH, 3PH, med. hd.	1262.00	1413.44

Item	Part No.	Ref. No.	Description	US List	Can. List
15	073831	44473831208	Impeller, CHK-150/CHKL-150, 15HP, 3PH, high hd.	1262.00	1413.44
15	070225	44470225208	Impeller, CMK-150/CMKL-150, 15HP, 3PH, med. hd.	1262.00	1413.44
15	073832	44473832208	Impeller, CHK-200/CHKL-200, 20HP, 3PH, high hd.	1262.00	1413.44
16	0717255	71271725753	Seal, C-7, PS-360	40.51	45.37
17	070906	11670906199	Flange, mach., C-52 brass	549.64	615.60
18	071423	3640508457	O-ring, C-70	3.06	3.43
19	071681	1680378104	Screw, 3/8, 16 x 7/8 in. CS hh., 2 req.	1.15	1.29
20	072185	7641043478	Water slinger, C-115	8.16	9.14
21	071046	4720201104	Impeller, key, 3/16 in.	20.67	23.15
22	071687	1680155113	Screw, 1/2, 13 x 1-1/4 stl. hh., 4 req.	5.13	5.75
60 HERTZ MOTORS					
23	3572055		Motor package, 5HP, 1PH, 200/208V	3100.52	3472.58
23	0713665	52571366999	Motor package, 5HP, 1PH, 230V	3100.52	3472.58
23	3572065		Motor package, 5HP, 3PH, 200/208V	2490.17	2788.99
23	0713645	52571364999	Motor package, 5HP, 3PH, 208-220/440	2490.19	2789.01
23	3572075		Motor package, 7-1/2 HP, 1PH, 200/208V	3381.93	3787.76
23	3572045	525357204999	Motor package, 7-1/2 HP, 1PH, 230V	3381.93	3787.76
23	3572085		Motor package, 7-1/2 HP, 3PH, 200/208V	2726.77	3053.98
23	0713655	52571365999	Motor package, 7-1/2 HP, 3PH, 208-220/440V	2726.76	3053.97

C Series® Pump (Cont'd)

Replacement Parts for Commercial Performance Pumps

Item	Part No.	Ref. No.	Description	US List	Can. List
C SERIES PUMPS					
60 HERTZ MOTORS (Cont'd)					
23	357247S		Motor package, 7.5HP, 3PH, 575V	2726.77	3053.98
23	357209S		Motor package, 10HP, 3PH, 200/208V	3922.19	4392.85
23	357249		Motor package, 10HP, 1PH, 230V	3460.88	3876.19
23	071363S	52571363999	Motor package, 10HP, 3PH, 208-220/440V	3922.19	4392.85
23	357238S		Motor package, 10HP, 3PH, 575V	3922.19	4392.85
23	357210S		Motor, package 15HP, 3PH, 200/208V	4594.77	5146.14
23	071361S	52571361999	Motor package, 15HP, 3PH, 208-220/440V	4594.77	5146.14
23	357245S		Motor package, 15HP, 3PH, 575V	4594.77	5146.14
23	357211S		Motor package, 20HP, 3PH, 200/208V	7555.95	8462.66
23	071362S	52571362999	Motor package, 20HP, 3PH, 208-220/440V	7555.95	8462.66
23	357246S		Motor, package 20HP, 3PH, 575V	7555.95	8462.66
50 HERTZ MOTORS					
23	072737S	52572737999	Motor, 5HP, 3PH, 380/415V	2490.17	2788.99
23	072739S	52572739999	Motor, 7.5HP, 3PH, 380/415V	2726.77	3053.98
23	072740S	52572740999	Motor, 10HP, 3PH, 380/415V	CALL	CALL
23	072742S	52572742999	Motor, 15HP, 3PH, 380/415V	4375.99	4901.11
23	072744S	52572744999	Motor, 20HP, 3PH, 380/415V	7555.95	8462.66
Motor subassemblies include items No.12 -21 and 23					
	073262	A073262	Motor, sub assembly, CMK-50 ²	5744.11	6433.40
	073265	A073265	Motor, sub assembly, CHK-50 ²	5891.39	6598.36
	073263	A073263	Motor, sub assembly CMK-75 ²	5896.95	6604.58
	073266	A073266	Motor, sub assembly CHK-75 ²	6048.37	6774.17
	073680	A073680	Motor, sub assembly CMK-100 ²	7570.38	8478.83
	073267		Motor, sub assembly CHK-100 ²	6417.98	7188.14

Item	Part No.	Ref. No.	Description	US List	Can. List
	073261	A073261	Motor, sub assembly CMK-150 ²	7984.26	8942.37
	073268	A073268	Motor, sub assembly CHK-150 ²	8341.85	9342.87
	073269	A073269	Motor, sub assembly CHK-200 ²	11906.17	13334.91
	357910	A357910	Motor, sub assembly CH-75, 1PH, 230V ³	5276.76	5909.97
	357930	A357930	Motor, sub assembly CM-75, 1PH, 200V ³	5276.76	5909.97
	357935	A357935	Motor, sub assembly CH-75, 1PH, 200V ³	5276.76	5909.97
	357250		Motor, sub assembly CH-100, 10HP, 1PH, 230V	7675.27	8596.30
	357251		Motor, sub assembly CM-100, 1PH, 230V	7675.27	8596.30
	014700	A014700	Motor, sub assembly CMKL-50 380/415V ⁴	5689.43	6372.16
	014801	A014801	Motor, sub assembly CHKL-50 380/415V ⁴	5689.43	6372.16
	014701	A014701	Motor, sub assembly CMKL-75 380/415V ⁴	5840.80	6541.70
	014802	A014802	Motor, sub assembly CHKL-75 380/415V ⁴	5840.80	6541.70
	014702	A014702	Motor, sub assembly CMKL-100 ⁴	7499.67	8399.63
	014803	A014803	Motor, sub assembly CHKL-100 ⁴	7499.67	8399.63
	014703	A014703	Motor, sub assembly CMKL-150 ⁴	8262.38	9253.87
	014804	A014804	Motor, sub assembly CHKL-150 ⁴	8262.38	9253.87
	014805	A014805	Motor, sub assembly CHKL-200 ⁴	11792.81	13207.95

¹ Includes: 2 of item No. 1, 1 each of items No. 2 thru No. 6, 1 of item No. 8 and 4 of item No. 9.

² All motor subassemblies are 60 Hertz 220/440V, 3 phase.

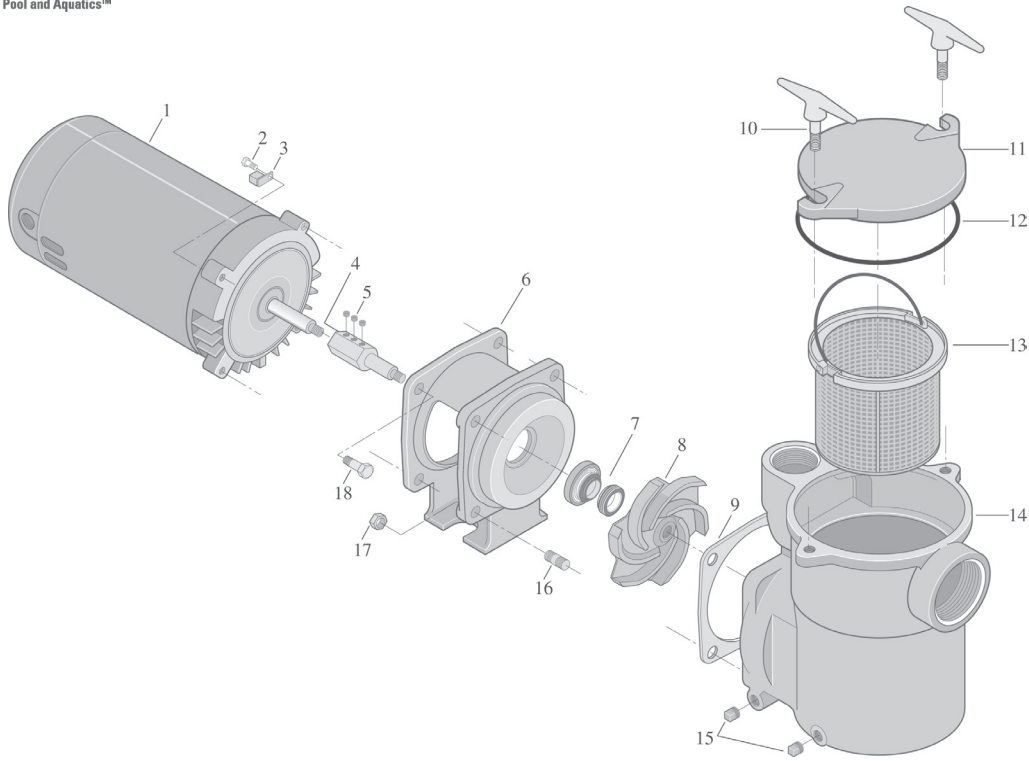
³ All motor subassemblies are single phase 60 Hertz.

⁴ All motor subassemblies are 50 Hertz 380/415V, 3 phase.

Notes:

- All bronze C-series parts will retrofit older cast iron models.
- Standard flange not included with pump.
- For all 200/208V applications, use 200/208V motors only.

CF6 Series™ Pump Replacement Parts



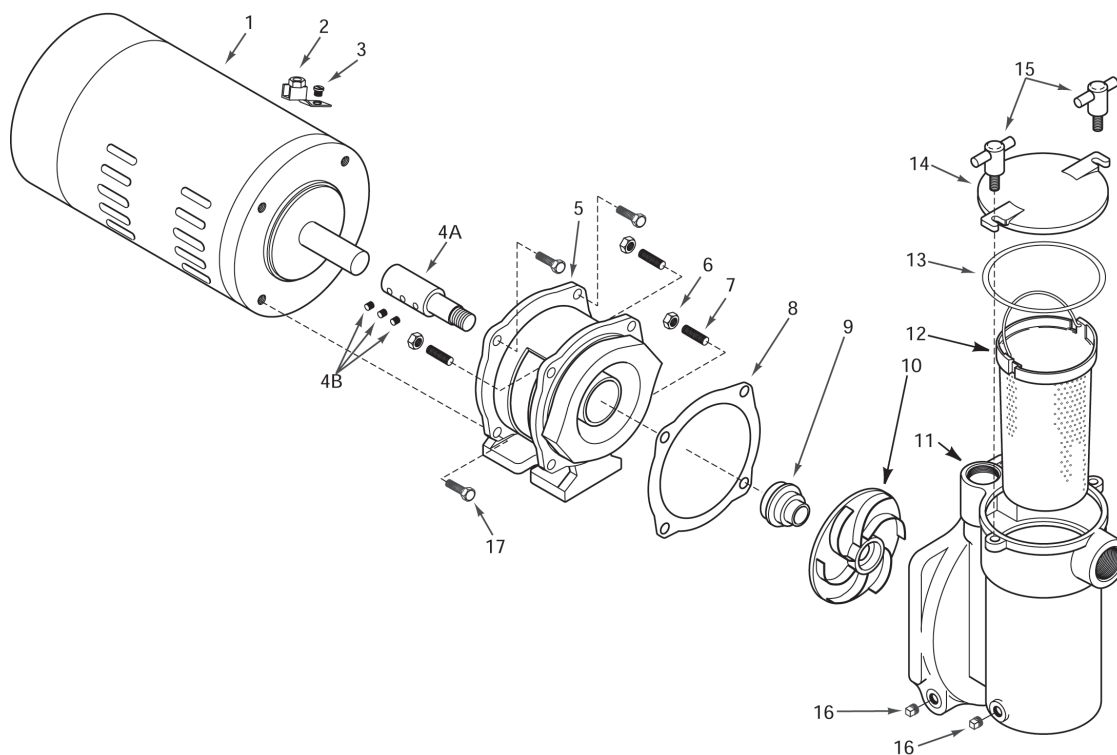
Item	Part No.	Description	US List	Can. List
CF6 SERIES				
1	AE600FHL	Motor - CF6EF-81L - 1-1/3 HP 230V	540.62	605.49
1	AE600GHL	Motor - CF6EG-82L - 2 HP 230V	735.79	824.08
1	C218-195	Motor - CF6H-123 - 3 HP 230V	CALL	CALL
1	C218-194	Motor - CF6H3-123 - 3 HP 230/460V	CALL	CALL
2	U30-692SS	Screw	1.75	1.96
3	U17-568	Bonding Lug	8.65	9.69
4	C110-17	Stub Shaft Assembly (w/Set Screws) ¹	61.97	69.41
4	C10-17A	Stub Shaft Assembly - MODEL # CF6H3-123 - 3 HP 230/460V (Does Not Include Set Screws)	74.93	83.92
5	U30-754SS	Set Screw, 1/4-20 x 5/16 in.	11.43	12.80
6	C2-57D	Adapter	329.16	368.66
7	U109-136SS	Shaft Seal	23.82	26.68
8	C5-181D	Impeller - Model # CF6EF-811 1-1/4 HP 230V	165.62	185.49
8	C5-182D	Impeller - Model # CF6EG-821 2 HP 230V	154.70	173.26
8	C5-203D	Impeller - Model # CF6H-123 - 3 HP 230V, Model # CF6H3-123 - 3 HP 230/460V	186.10	208.43
9	C20-72	Gasket	3.47	3.89

Item	Part No.	Description	US List	Can. List
10	C154-18D	Trap Handle	27.69	31.01
11	C3-78D	Trap Cover	177.47	198.77
12	U9-46	Cord Ring	10.12	11.33
13	C108-11P	Strainer Basket	26.28	29.43
14	C1-201DB	Volute & Trap Body	938.66	1051.30
15	U78-57DT	Pipe Plug, 1/4 in. NPT	3.20	3.58
16	U30-22SS	Stud, 3/8-16 x 1-1/4 in.	6.03	6.75
18	U30-72SS	Capscrew, 3/8-16 x 5/8 in.	3.49	3.91

NOT SHOWN				
	C30-20	Impeller Screw	17.59	19.70
	U43-51D	Impeller Washer	1.15	1.29

¹ C10-17A does not include set screws.

CFA Series™ Pump Replacement Parts

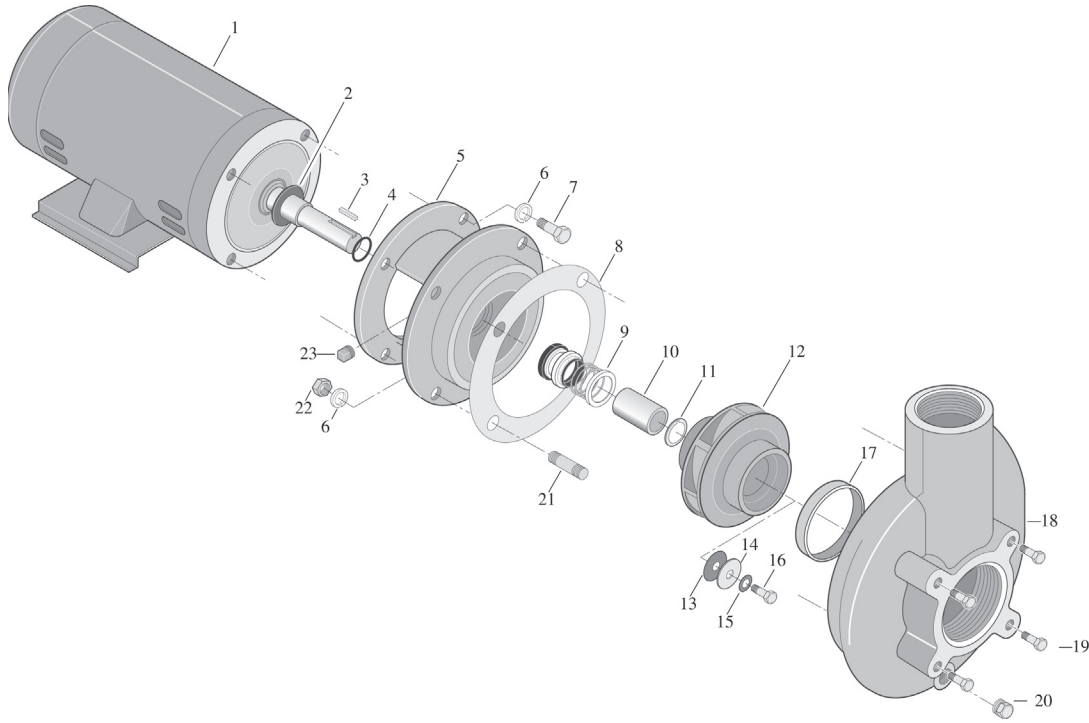


Item	Part No.	Description	US List	Can. List
CFA SERIES				
1	A600DLL	Motor 115/230V - MODEL # CFAD-75DL - 3/4 HP	304.46	341.00
1	A600ELL	Motor 115/230V - MODEL # CFAE-79DL - 1 HP	351.31	393.47
1	A600FLL	Motor 115/230V - MODEL # CFAF-80DL - 1-1/2 HP	334.81	374.99
1	AE600GLL	Motor 230V - MODEL # CFAEG-81DL - 2 HP	542.58	607.69
1	AE600G5LL	Motor 230V - MODEL # CFAAEG-82DL - 2-1/2 HP	735.79	824.08
2	U17-568	Bonding Lug	8.65	9.69
3	U30-692SS	Screw, #10-32 x 1/2	1.75	1.96
4A	C110-17	Stub Shaft Assembly	CALL	CALL
4B	U30-754SS	Set Screw 1/4-20 x 5/16 in.	11.43	12.80
5	C2-57D	Adapter	329.16	368.66
7	U30-225S	Stud, 3/8 x 1-1/4 in.	6.03	6.75
8	C20-72	Gasket	3.47	3.89
9	U109-136SS	Shaft Seal Package ¹	23.82	26.68

Item	Part No.	Description	US List	Can. List
10	C5-164D	Impeller - MODEL # CFAD-75DL - 3/4 HP	149.24	167.15
10	C5-166D	Impeller - MODEL # CFAE-79DL - 1 HP	155.84	174.54
10	C5-183D	Impeller - MODEL # CFAF-80DL - 1-1/2 HP	165.06	184.87
10	C5-181D	Impeller - MODEL # CFAEG-81DL - 2 HP	165.62	185.49
10	C5-182D	Impeller - MODEL # CFAAEG-82DL - 2-1/2 HP	154.70	173.26
11	C1-185DB	Volute and Trap Body	795.23	890.66
12	C108-33P	Trap Basket	10.14	11.36
13	U9-161	Cord Ring	8.37	9.37
14	C3-140DC	Trap Cover	CALL	CALL
15	C154-18D	Trap Handle	27.69	31.01
16	U78-57DT	Pipe Plug, 1/4 in. NPT	3.20	3.58
17	U30-72SS	Capscrew 3/8-16 x 3/4 in.	3.49	3.91

CC/C Series™ Centrifugal Pump

3 HP Model Replacement Parts



Item	Part No.	Description	US List	Can. List
CENTRIFUGAL PUMP - CC/C SERIES - 3 HP				
1	C218-177	Motor 230V/60H/1 Ph.	867.83	971.97
1	C218-178	Motor 200V/60H/3 Ph.	722.59	809.30
1	C218-179	Motor 230/460V/60H/3 Ph.	722.59	809.30
1	C218-191	Motor 200V/60H/1 Ph.	867.83	971.97
3	U65-42A	Key, Impeller	9.97	11.17
4	U9-265	O-Ring	2.03	2.27
5	C2-81	Adapter (Models: CCMH-136, CCM2H-136, CCM2H-136S, CCMH3-136S, CCM2H3-136, CCM2H3--136S, CCHH-137S, CCHH3-137S, CCH2H-137S, CCH2H3-137, CCH2H3-137S)	184.79	206.96
5	C2-81D	Adapter (Models: CMH-136, CMH3-136, CM2H-136, CM2H3-136, CHH-137, CHH3-137, CH2H3-137)	672.82	753.56
6	U43-12ZP	Lockwasher, 3/8 in.	1.27	1.42
7	U30-73ZP	Capscrew, 3/8-16 x 7/8 in.	CALL	CALL
8	C20-77	Gasket	4.26	4.77
9	U109-433SS	Shaft Seal (Replaces U109-220, effective 8/00)	106.20	118.94
10	C23-58	Shaft Sleeve	100.49	112.55
11	C20-101	Gasket, Sleeve	2.59	2.90
12	CI05-224DG	Impeller (Silicon Brass) (Models: CCMH-136, CCM2H-136, CCM2H-136S, CCMH3-136S, CCM2H3-136, CCM2H3-136S, CMH-136, CMH3-136, CM2H-136, CM2H3-136)	611.57	684.96
12	CI05-224DF	Impeller (Silicon Brass) (Models: CCHH-137S, CCHH3-137S, CCH2H-137S, CCH2H3-137, CCH2H3-137S, CHH-137, CHH3-137, CH2H3-137)	587.02	657.46

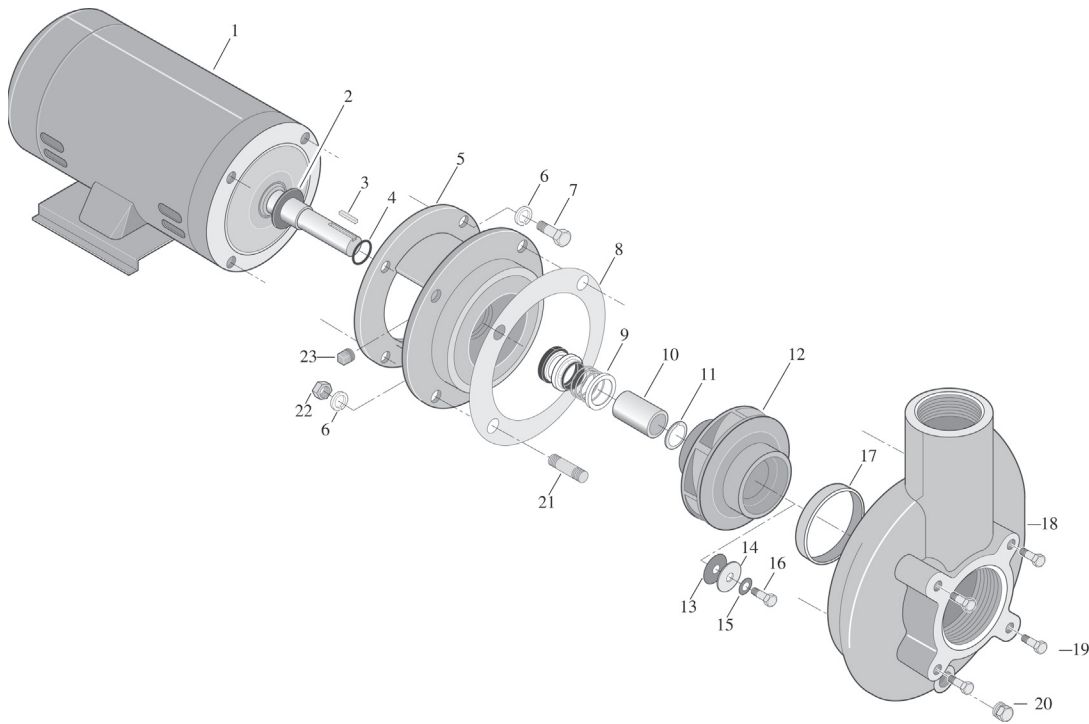
Item	Part No.	Description	US List	Can. List
13	C20-100	Gasket, Impeller	2.59	2.90
14	C43-45SS	Washer, Impeller	4.99	5.59
15	C43-46	Washer, Stat-O-Seal	4.43	4.96
16	U30-72SS	Screw, Impeller 3/8-16 x 3/4 in.	3.49	3.91
17	C23-40	Wear Ring Only	82.15	92.01
18	CI01-167	Volute Assembly (Incl. 17 Only) (Models CCMH-136, CCM2H-136, CCM2H-136S, CCMH3-136S, CCM2H3-136, CCM2H3-136S, CCHH-137S, CCHH3-137S, CCH2H-137S, CCH2H3-137, CCH2H3-137S)	373.44	418.25
18	CI01-167D	Volute Assembly (Incl. 17 Only) (Models CMH-136, CMH3-136, CM2H-136, CM2H3-136, CHH-137, CHH3-137, CH2H3-137)	1146.90	1284.53
20	U78-941ZPV	Pipe Plug, 1/4 in. NPT, Hex Head	1.29	1.44
21	U30-22SS	Stud, 3/8-16 x 1/16 in.	6.03	6.75
22	U36-38ZP	Nut, Hex 3/8 x 16 - (Models CCMH-136, CCM2H-136, CCM2H-136S, CCMH3-136S, CCM2H3-136, CCM2H3--136S, CCHH-137S, CCHH3-137S, CCH2H-137S, CCH2H3-137, CCH2H3-137S)	CALL	CALL
23	U78-57SSS	Pipe Plug, 1/4 in. NPT	6.95	7.78

Note: Model numbers with a "3" in them indicate a 3-Phase motor. Model numbers with a "2" in them indicate a 200V motor.

Note: C Series with different hydraulic numbers (CCMH-93) are older models that use different parts. Consult factory for older models.

CC/C Series™ Centrifugal Pump

5 HP Model Replacement Parts



Item	Part No.	Description	US List	Can. List
CENTRIFUGAL PUMP - CC/C SERIES 5 HP				
1	C218-180	Motor 230V/60H/1 Ph.	1092.96	1224.12
1	C218-182	Motor 230/460V/60H/3 Ph.	904.14	1012.64
1	C218-181	Motor 200V/60H/3 Ph.	904.14	1012.64
3	U65-42A	Key, Impeller	9.97	11.17
4	U9-265	O-Ring	2.03	2.27
5	C2-81	Adapter (Models: CCHJ-138, CCHJ138S, CCHJ3-138S, CCH2J3-138S)	184.79	206.96
5	C2-81D	Adapter (Models: CHJ-138, CH2J3-138, CH2J3-138)	672.82	753.56
6	U43-12ZP	Lockwasher, 3/8 in.	1.27	1.42
7	U30-73ZP	Capscrew, 3/8-16 x 7/8 in.	CALL	CALL
8	C20-77	Gasket	4.26	4.77
9	U109-433SS	Shaft Seal	106.20	118.94
10	C23-58	Shaft Sleeve	100.49	112.55
11	C20-101	Gasket, Sleeve	2.59	2.90
12	CI05-224DE	Impeller (Silicon Brass)	601.23	673.38
13	C20-100	Gasket, Impeller	2.59	2.90

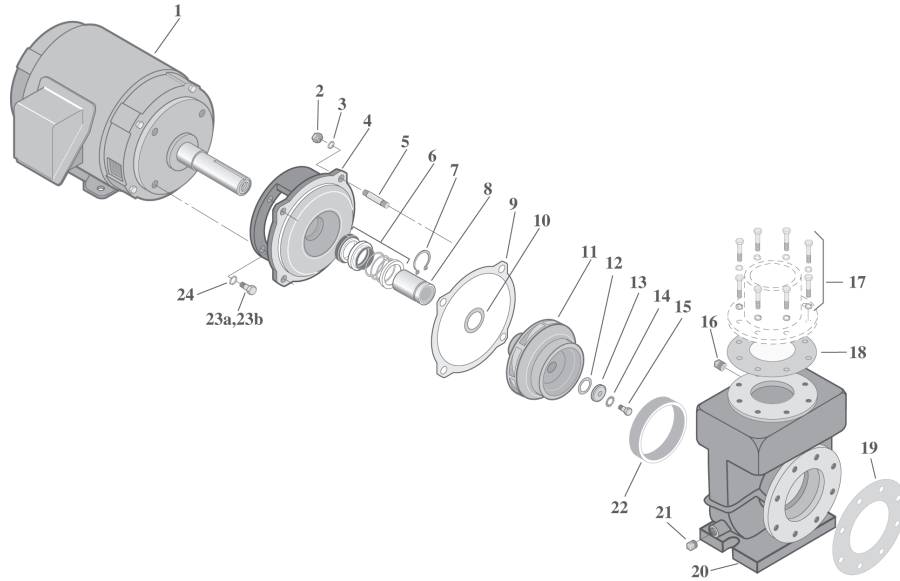
14	C43-45SS	Washer, Impeller	4.99	5.59
15	C43-46	Washer, Stat-O-Seal	4.43	4.96
16	U30-72SS	Screw, Impeller 3/8-16 x 3/4 in.	3.49	3.91
17	C23-40	Wear Ring Only	82.15	92.01
18	CI01-167	Volute Assembly (Incl. 17 Only) (Models: CCHJ-138, CCHJ138S, CCHJ3-138S, CCH2J3-138S)	373.44	418.25
18	CI01-167D	Volute Assembly (Incl. 17 Only) (Models: CHJ-138, CH2J3-138, CH2J3-138)	1146.90	1284.53
20	U78-941ZPV	Pipe Plug, 1/4 in. NPT, Hex Head	1.29	1.44
21	U30-22SS	Stud, 3/8 - 16 x 1-1/4 in.	6.03	6.75
22	U36-38ZP	Nut, Hex 3/8 x 16 in. (Models: CCHJ-138, CCHJ138S, CCHJ3-138S, CCH2J3-138S)	CALL	CALL
23	U78-57SSS	Pipe Plug, 1/4 in. NPT	6.95	7.78

Note: Model numbers with a "3" in them indicate a 3-Phase motor. Model numbers with a "2" in them indicate a 200V motor.

Note: C Series with different hydraulic numbers (CCMH-93) are older models that use different parts. Consult factory for older models.

CSPH/CCSPH Series™

Replacement Parts



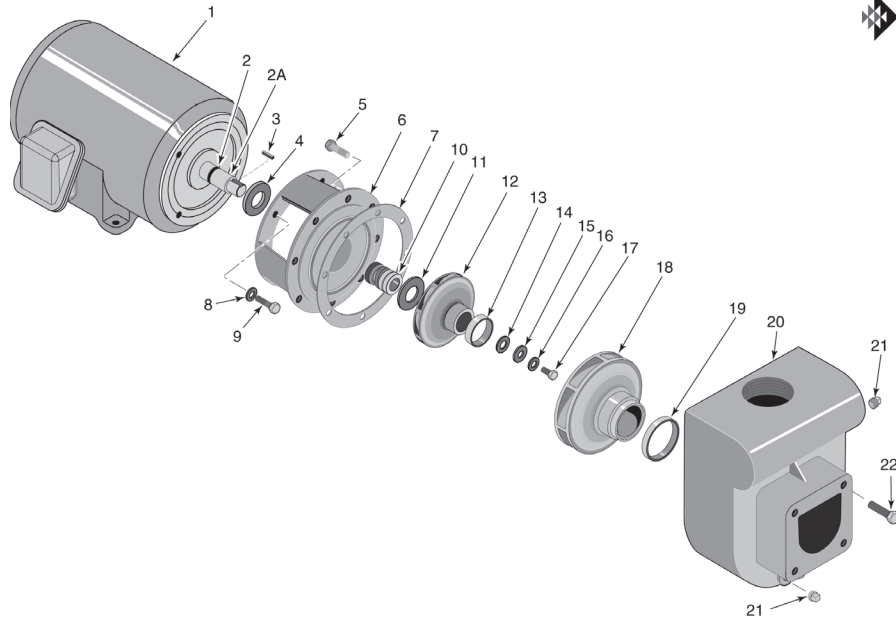
Item	Part No.	Description	US List	Can. List
230 VOLT/1 PHASE OR 230/460 VOLT/3 PHASE				
1	S22351	Motor 230V/1 Ph. - 7-1/2 HP (Models: CSPHK-1421, CCSPHK-1421, CSPHK3-1422, CCSPHK3-1422)	1995.27	2234.70
1	62500-0101	Motor 230V/1 Ph. - 10 HP (Models: CSPHL-143, CCSPHL-143M, CSPHL3-1431, CCSPHL3-1431)	2470.86	2767.36
1	S22353	Motor 230V/3 Ph. - 7-1/2 HP (Models: CSPHK-1421, CCSPHK-1421, CSPHK3-1422, CCSPHK3-1422)	993.09	1112.26
1	S22356	Motor 230V/3 Ph. - 10 HP (Models: CSPHL-143, CCSPHL-143M, CSPHL3-1431, CCSPHL3-1431)	CALL	CALL
1	S22357	Motor 230V/3 Ph. - 15 HP (Models: CSPHM3-1441, CCSPHM3-1441)	1639.44	1836.17
1	S28574	Motor 230V/3 Ph. - 20 HP (Models: CSPHN3-1451, CCSPHN3-1451)	CALL	CALL
1	16830-0320	Motor 230V/3 Ph. 7-1/2 HP (Models: CSPH2K3-142, CSPH2K3-142)	1147.99	1285.75
1	16831-0320	Motor 200V/3 Ph. - 10 HP (Models: CSPH2L3-143, CCSPH2L3-143)	1633.58	1829.61
1	16832-0320	Motor 200V/3 Ph. - 15 HP (Models: CSPH2M3-144, CCSPH2M3-144)	1889.52	2116.26
1	16833-0320	Motor 200V/3 Ph. - 20 HP (Models: CSPH2N3-145, CCSPH2N3-145)	2855.74	3198.43
2	S23488	Nut, 1/2 in.	3.49	3.91
3	U43-13SS	Lockwasher, 1/2 in.	1.29	1.44
3	U43-12SS	Lockwasher, 3/8 in. ²	2.33	2.61
4	L05329	Bracket - 7-1/2 HP (3 Ph. Models)	239.58	268.33
4	L05328	Bracket - 10 HP (CSPH, CSPH2 Models) - 15 HP (CSPH, CSPH2 Models) - 7-1/2 HP (CSPH, CSPH2 Models)	265.18	297.00
4	L05779	Bracket - 20 HP (CSPH, CSPH2 Models)	475.52	532.58
4	16830-2201	Bracket - 7-1/2 HP (3 Ph. Models)	1058.45	1185.46
4	16830-2203	Bracket - 10 HP (CCSPH, CCSPH2 Models) - 15 HP (CCSPH, CCSPH2 Models) - 7-1/2 HP (CCSPH, CCSPH2 Models)	1136.99	1273.43
4	16830-2202	Bracket - 20 HP (CCSPH, CCSPH2 Models)	829.09	928.58
5	30747-0152	Stud, 1/2-13 x 1-1/2 in.	23.36	26.16

Item	Part No.	Description	US List	Can. List
6	S32014	Mechanical Shaft Seal	118.14	132.32
6	S32015	Mechanical Shaft Seal - 20 HP	254.74	285.31
7	S11207	Retaining Ring	16.62	18.61
7	S16767	Retaining Ring - 20 HP (Models: CSPHN3-1451, CCSPHN3-1451)	36.92	41.35
8	37447-0001L	Shaft Sleeve	CALL	CALL
8	37447-0002L	Shaft Sleeve - 20 HP	CALL	CALL
9	S04757	Gasket (Volute to Bracket)	12.92	14.47
10	33455-8044	Gasket (Impeller to Shaft Sleeve)	5.80	6.50
10	33455-8046	Gasket (Impeller to Shaft Sleeve) - 20 HP	5.80	6.50
11	16830-0209	Impeller - 7-1/2 HP	1168.22	1308.41
11	16830-0210	Impeller- 10 HP	1053.29	1179.68
11	16830-0211	Impeller - 15 HP	1203.65	1348.09
11	16830-0212	Impeller - 20 HP	1445.54	1619.00
12	33455-8043	Gasket (Impeller to Washer)	5.80	6.50
12	33455-8045	Gasket (Impeller to Washer) - 20 HP	5.80	6.50
13	38917-0203	Impeller Washer	53.20	59.58
13	38917-0204	Impeller Washer - 20 HP (Models: CSPHN3-1451, CCSPHN3-1451)	63.85	71.51
14	C43-46SS	Stat-O-Seal Washer	13.41	15.02
14	C43-46SSA	Stat-O-Seal Washer - 20 HP (Models: CSPHN3-1451, CCSPHN3-1451)	17.08	19.13
15	S23566	Capscrew, 3/8-16 x 1 in. ¹	3.70	4.14
15	S23619	Capscrew, 1/2-13 x 1 in. ²	5.54	6.20
16	U78-57DT	Pipe Plug 1/4 in. NPT	3.20	3.58
17	16830-0400	Hardware Kit	60.72	68.01
18	33450-8042	Gasket (Volute Discharge)	14.15	15.85
19	33450-8041	Gasket (Volute Suction)	19.90	22.29
20	16830-0100	Volute (CSPH, CSPH2)	2844.72	3186.09
20	16830-2102	Volute (CCSPH) - 7-1/2 HP, 10 HP	5173.03	5793.79
20	16830-2103	Volute (CCSPH) - 15 HP, 20 HP ¹	5207.89	5832.84
20	16830-0100	Volute (CSPH2, CSPH2)	2844.72	3186.09
20	16830-2102	Volute (CCSPH2) - 7-1/2 HP, 10 HP	5173.03	5793.79
21	U78-59D	Drain Plug, 1/2 in. NPT	7.80	8.74
22	16830-0120	Wear Ring	89.87	100.65
23A	S23619	Capscrew, 1/2-13 x 1 in. ¹	5.54	6.20
23B	S23566	Capscrew, 3/8-16 x 1 in. ²	3.70	4.14
24	U43-13SS	Lockwasher, 1/2 in.	1.29	1.44

¹ 7-1/2 HP; 1 Phase only.

² 3 Phase only.

D Series™ Replacement Parts



Item	Part No.	Description	US List	Can. List
Self Priming Centrifugal Pump - D Series				
1	C218-177	Motor 230V/60H/1 Ph. DMH Medium Head: 3 HP, High Head: 3 HP	867.83	971.97
1	C218-180	Motor 230V/60H/1 Ph. DMJ Medium Head: 5 HP, High Head: 5 HP	1092.96	1224.12
1	C218-179	Motor 230/460V/60H/3 Ph. DMH Medium Head: 3 HP, High Head: 3 HP	722.59	809.30
1	C218-182	Motor 230/460V/60H/3 Ph. DMJ Medium Head: 5 HP, High Head: 5 HP	904.14	1012.64
1	C218-191	Motor 200V/60H/1 Ph. DMH Medium Head: 3 HP, High Head: 3 HP	867.83	971.97
1	C218-192	Motor 200V/60H/1 Ph. DMJ Medium Head: 5 HP, High Head: 5 HP	1092.96	1224.12
1	C218-178	Motor 200V/60H/3 Ph. DMH Medium Head: 3 HP, High Head: 3 HP	722.59	809.30
1	C218-181	Motor 200V/60H/3 Ph. DMJ Medium Head: 5 HP, High Head: 5 HP	904.14	1012.64
2	U9-265	O-Ring	2.03	2.27
2A	C23-58	Sleeve	100.49	112.55
3	U65-42A	Key, Square 3/16 x 3/16 x 7/8 in.	9.97	11.17
4	N/A			
5	071681	Screw 3/8 x 16 x 7/8 in. HH	1.15	1.29
6	C2-66	Motor Adapter	CALL	CALL
7	C20-46	Gasket, Adapter	6.64	7.44
8	U43-12ZP	Lockwasher, 3/8 in. ¹	1.27	1.42
9	U30-73ZP	Capscrew, 3/8-16 x 7/8 in.	CALL	CALL
10	U109-433SS	Shaft Seal ³	106.20	118.94
11	C20-101	Gasket, Seal	2.59	2.90
12	C5-246	Impeller ² - Medium Head: 3 HP	631.87	707.69
12	C5-247	Impeller ² - Medium Head: 5 HP	625.96	701.08

Item	Part No.	Description	US List	Can. List
Self Priming Centrifugal Pump - D Series				
12	C5-248	Impeller ² - High Head: 3 HP	621.73	696.34
12	C5-249	Impeller ² - High Head: 5 HP	587.02	657.46
13	J23-5	Wear Ring (Only)	25.29	28.32
13	C23-14	Wear Ring (Only) - Medium Head: 5 HP	28.61	32.04
14	C20-100	Gasket	2.59	2.90
15	C43-45SS	Washer, Impeller	4.99	5.59
16	C43-46	Gasket	4.43	4.96
17	U30-72SS	Screw, Impeller 3/8-16 x 3/4 in. ¹	3.49	3.91
18	C101-126	Volute Diffuser w/Wear Ring Medium Head: 3 HP	143.82	161.08
18	C101-126B	Volute Diffuser w/Wear Ring Medium Head: 5 HP	150.08	168.09
18	C101-132	Volute Diffuser w/Wear Ring High Head: 3 HP, High Head: 5 HP	150.08	168.09
19	C21-2	Diffuser Ring	4.61	5.16
20	C76-12	Pump Body Medium Head: 3 HP, High Head: 5 HP	640.18	717.00
20	C76-12C	Pump Body - Medium Head: 5 HP	691.31	774.27
20	C76-12B	Pump Body - High Head: 3 HP	636.12	712.45
21	U78-941ZPV	Pipe Plug, 1/4 in. NPT ¹	1.29	1.44
22	U30-60ZP	Capscrew 5/16-18 x 3/4 in.	1.11	1.24
NOT SHOWN				
	U212-68T	Draincock, 1/4 in. NPT *	4.68	5.24

¹ Purchase locally.
² Change effective 6/97.
³ Replaces U109-220 (effective 8/00).

Note: D Series with different numbers (i.e. DMH-64) use different parts. Consult factory for older models.

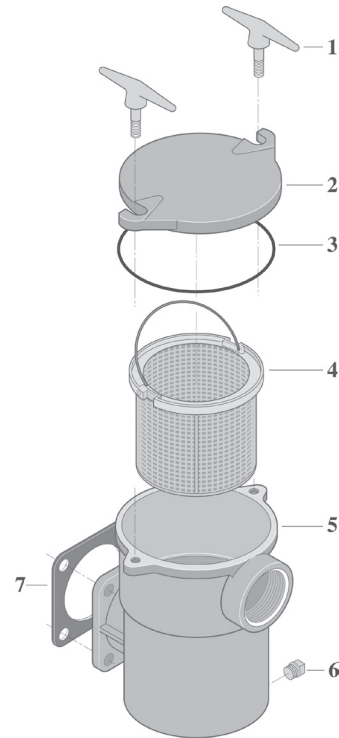
Cast Iron Suction Trap Assembly Replacement Parts



Item	Part No.	Description	US List	Can. List
PKG. 51 6-IN. TRAP REPLACEMENT PARTS				
1	CI54-18D	Handle Assembly ¹	27.69	31.01
2	C3-30	Cover	63.13	70.71
3	U9-46	Cord Ring	10.12	11.33
4	CI08-11P	Strainer Basket	26.28	29.43
5	C53-5B	Trap Body	207.41	232.30
6	U78-57DT	Pipe Plug, 1/4 in. NPT	3.20	3.58
7	C20-19	Gasket	2.33	2.61
PKG. 98 8-IN. TRAP REPLACEMENT PARTS				
1	CI54-18D	Handle Assembly ¹	27.69	31.01
2	C3-105	Cover	154.74	173.31
3	U9-171	Cord Ring	13.55	15.18
4	16401-0030	Strainer Basket	328.85	368.31
5	C53-21	Trap Body	632.42	708.31
6	U78-57DT	Pipe Plug, 1/4 in. NPT	3.20	3.58
7	C20-19	Gasket	2.33	2.61
PKG. 74 11-IN. TRAP REPLACEMENT PARTS				
1	CI54-18D	Handle Assembly ¹	27.69	31.01
2	C3-76	Cover	211.39	236.76
3	U9-105	Cord Ring	CALL	CALL
4	CI08-25SS	Strainer Basket	CALL	CALL
5	-	Trap Body	CALL	CALL
6	U78-57DT	Pipe Plug, 1/4 in. NPT	3.20	3.58
7	C20-19	Gasket	2.27	2.54

¹ 6 in. - Pkg. 51 has 2 each; 8 in. - Pkg. 98 has 4 each; 11 in. - Pkg. 74 has 4 each.

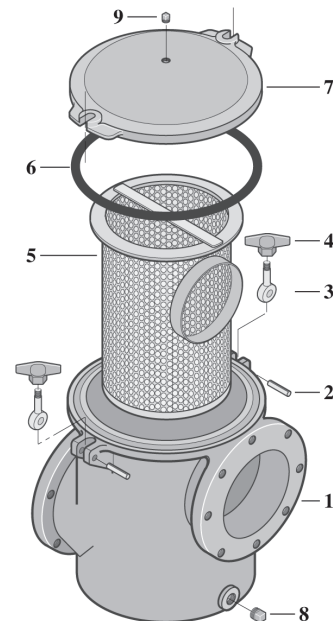
PACKAGE
No. 51
No. 98
No. 74



Item	Part No.	Description	US List	Can. List
STANDARD FLANGE REPLACEMENT PARTS				
1	16401-0010	Strainer Body (Pkg. 184, 184E)	2713.40	3039.01
1	16401-2015	Strainer Body (Pkg. 184C, 184CE) ¹	4409.22	4938.33
2	35857-0031	Spring Pin	14.15	15.85
3	30767-0011	Toggle Bolt	233.91	261.98
4	35404-0319	Wing Nut	59.07	66.16
5	16401-0102	Strainer Basket	1074.90	1203.89
6	35505-0421	O-Ring	73.18	81.96
7	16401-0210	Strainer Cover (Pkg. 184, 184E)	583.55	653.58
7	16401-2215	Strainer Cover (Pkg. 184C, 184CE) ¹	1256.63	1407.43
8	U78-59D	Pipe Plug, 1/2 in. Square Head Brass	7.80	8.74
NOT SHOWN				
	33450-8041	Gasket, 6 in. Pipe Flange	19.90	22.29
	16830-0401	Hardware Kit (includes 16 each 3/4 in. lockwashers, 3/4-10 x 2 in. Capscrews)	176.61	197.80
	61002-0012	Tag, Hazardous Suction	CALL	CALL

¹ Epoxy coated.

PACKAGE
No. 184
No. 184C
No. 184E
No. 184CE

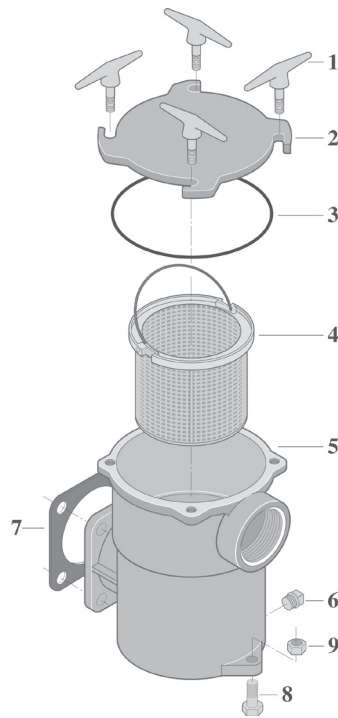


Bronze Suction Trap Assembly

Replacement Parts

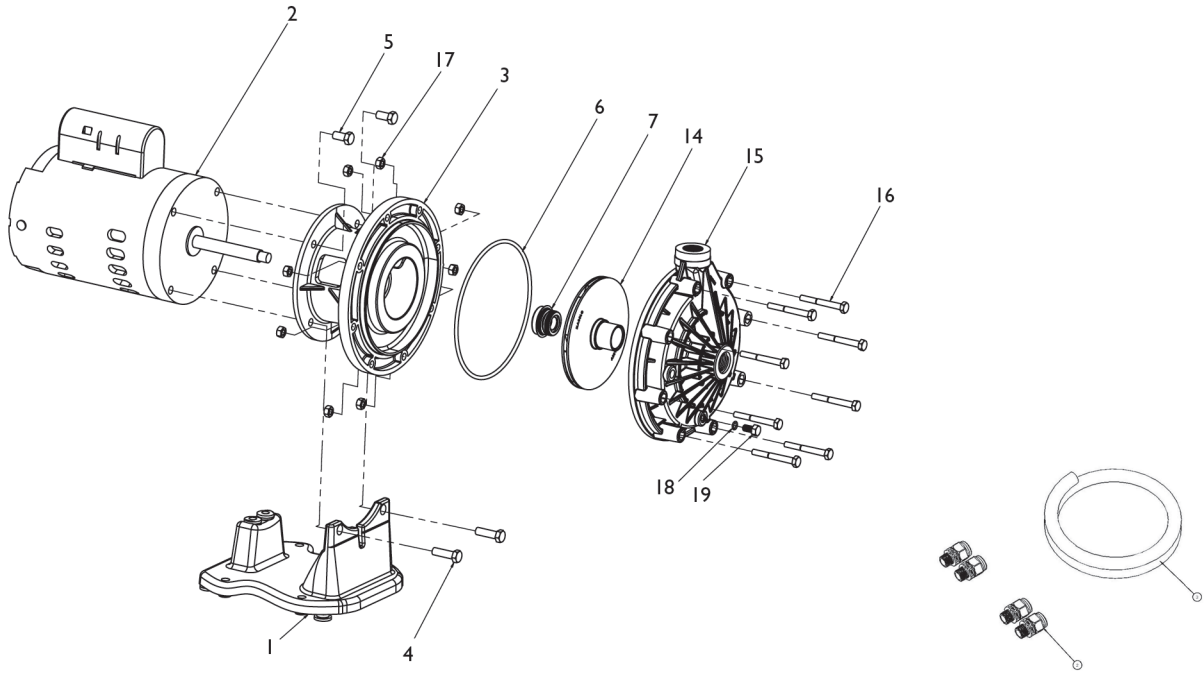


PACKAGE
No. 56
No. 99



Item	Part No.	Description	US List	Can. List
BRONZE TRAP REPLACEMENT PARTS				
1	C154-18D	Lock Handle Assembly	27.69	31.01
2	C3-78D	Cover (Pkg. 56)	177.47	198.77
2	C3-105D	Cover (Pkg. 99)	491.09	550.02
3	U9-46	O-Ring (Pkg. 56)	10.12	11.33
3	U9-171	O-Ring (Pkg. 99)	13.55	15.18
4	C108-11P	Strainer Basket (Pkg. 56)	26.28	29.43
4	16401-0030	Strainer Basket (Pkg. 99)	328.85	368.31
5	C53-5D	Suction Trap Body (Pkg. 56)	718.62	804.85
5	C53-21D	Suction Trap Body (Pkg. 99)	2370.26	2654.69
6	U78-57DT	Pipe Plug, 1/4 in. NPT	3.20	3.58
7	C20-19	Gasket, Flange	2.33	2.61
8	U30-77SS	Capscrew, 3/8-16 x 1-3/4 in.	4.68	5.24
9	U36-38ZP	Nut, Hex 3/8-16	CALL	CALL

Booster Pump Replacement Parts

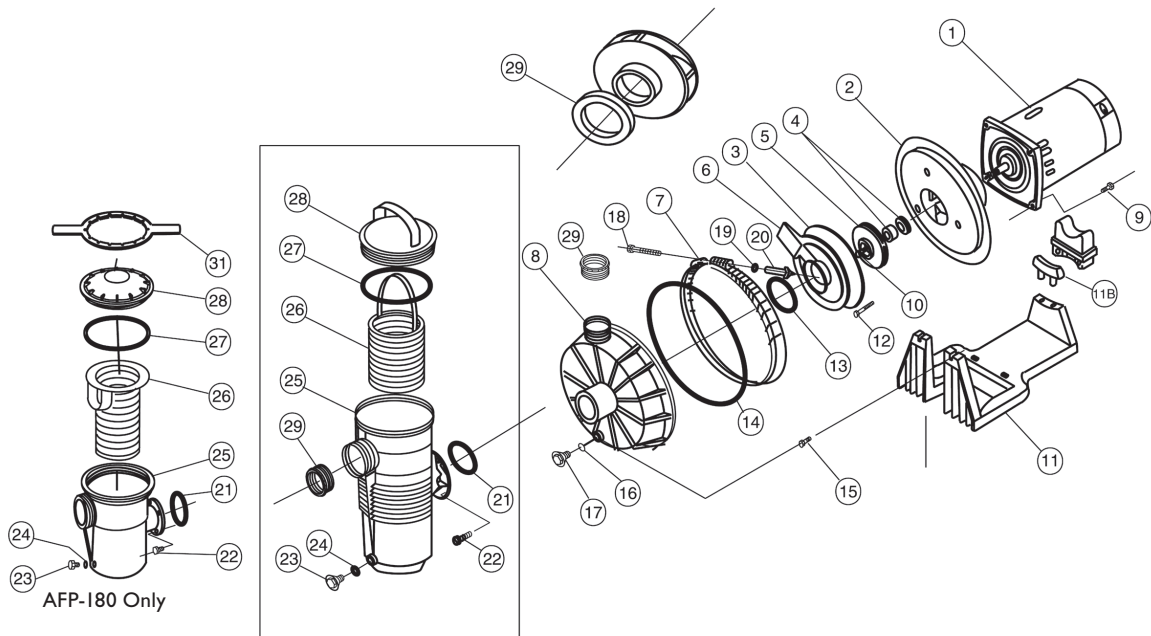


Item	Part No.	Qty.	Description	US List	Can. List
BOOSTER PUMP					
1	LA41	1	Pump stand 99, complete with rubber grommets	26.63	29.83
2	LA10NS	1	Motor, 230/115 V, 1 ph, 60 hz, 6.5/13 A	292.26	327.33
3	LA295 *	1	Seal bracket	110.88	124.19
4	LA136	2-PK	Bolt 3/8-16 x 1-1/4 in., 2 req.	CALL	CALL
5	LA135	2-PK	Bolt 3/8-16 x 3/4 in., 2 req.	CALL	CALL
6	LA415 *	1	O-ring for seal bracket	3.02	3.38
7	071734S	1	Seal (PS1000) - Set includes both cap and bellows	24.12	27.01
14	LA05L *	1	Impeller (new style)	34.35	38.47
14	LA02L	1	Impeller (old style)	32.29	36.16
15	LA39534 *	1	Volute	137.34	153.82
16	LA115	2-PK	Bolt	2.81	3.15
17	LA125	2-PK	Nut	2.68	3.00
18	LA375 *	1	O-ring for drain plug	0.86	0.96
19	EB20 *	2-PK	Drain plug	2.63	2.95
NOT SHOWN					
	353020	1	Hose kit: 2 plastic fittings and 1-6 ft. white hose. (built after 2005)	38.54	43.16
	LD10	2-PK	Hose washer (built prior to 2005), steel with black hose	1.22	1.37

* Recommended for stock.

WaterFall™ Pump

Replacement Parts for Specialty Pumps



Item	Part No.	Description	US List	Can. List
WATERFALL PUMPS				
1	355218	Motor, AF-75 & 120, AFP-75 & 120, 37 lbs.	38.54	43.16
1	355222	Motor, AF-180, AFP-150 & 180, 35 lbs.	1.22	1.37
2	355004	Plate, seal, AF-75 & 120, AFP-75 & 120	80.86	90.56
2	355497	Plate, seal, AF-180, AFP-150 & 180	CALL	CALL
3	355317	Plate, mounting AF-75, AFP-75	CALL	CALL
3	355495	Plate, mounting AF-120 & 180, AFP-120, 150 & 180	CALL	CALL
4	3545455	Seal, 5/8 in. mechanical, PS 200	CALL	CALL
5	355544	Impeller AF-75, AFP-75	80.86	90.56
5	355068	Impeller AF-120, AFP-120	80.86	90.56
5	355221	Impeller AF-180, AFP-150 & 180	11.86	13.28
6	355545	Diffuser AF-75, AFP-75	10.95	12.26
6	355069	Diffuser AF-120, AFP-120	22.77	25.50
6	355140	Diffuser AF-180, AFP-150 & 180	58.75	65.80
7	355320	Band, clamp assembly complete	44.15	49.45
8	355302	Housing, front	42.91	48.06
9	354290	Screw, 3/8 in.-16 hex hd., 4 req.	74.04	82.92
10	355389	Screw, impeller locking	29.76	33.33
11	355305	Base, pump ¹	40.10	44.91
11B	355385	Adapter, 5-5/8 in. dia. motor ²	68.93	77.20
12	355334	Screw, No. 8-32 x 1 in. AF-75 & 120, AFP-75 & 120, 3 req.	163.26	182.85
12	355141	Screw, No. 8-32 x 1-1/2 in. AF-180, AFP-150 & 180	2.11	2.36
13	355331	O-ring, diffuser	1.24	1.39
14	355329	O-ring, front housing	39.35	44.07
15	355335	Screw, 5/16, 18 x 1/2 in. SS hex wsh. hd., (AF models only)	1.24	1.39
16	192115	O-ring, drain plug	1.00	1.12
17	154699	Plug, 1/2 in. drain	CALL	CALL

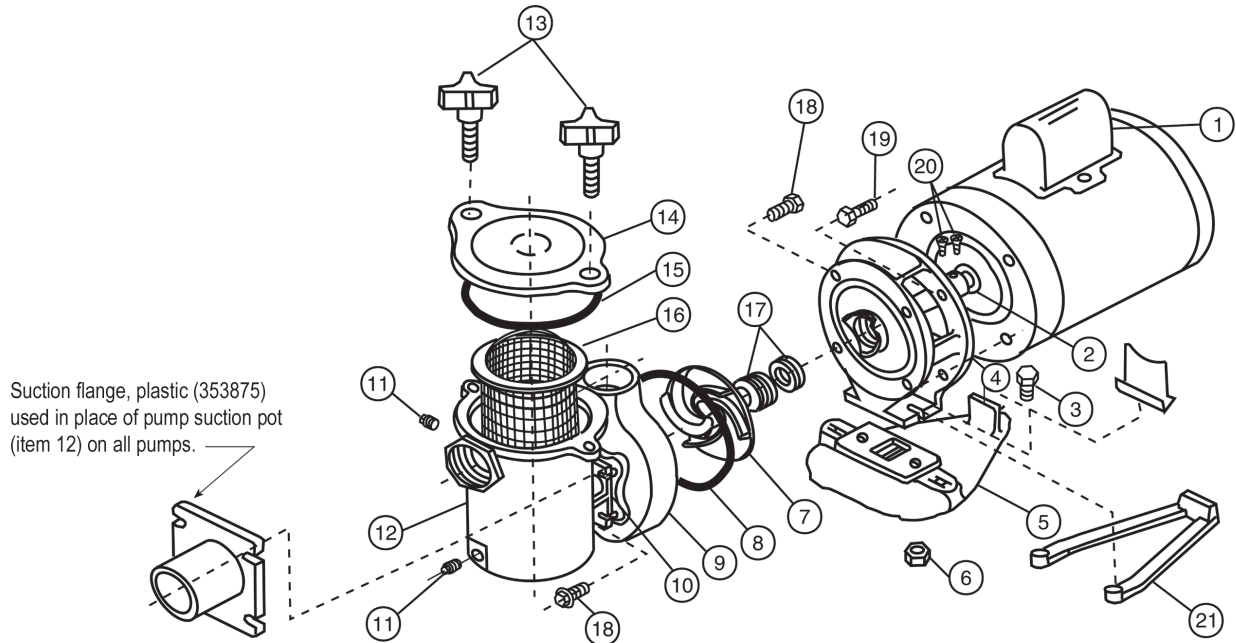
Item	Part No.	Description	US List	Can. List
20	175025	Knob (fits clamp w/captured T-bolt only)	27.99	31.35
21	355330	O-ring, strainer pot flange	1.40	1.57
22	354265	Screw, 5/16 in., 18 hex wsh. hd., 4 req.	1.70	1.90
23	154699	Plug, 1/4 in. drain	CALL	CALL
24	192115	O-ring, drain plug	1.00	1.12
25	355300	Strainer pot AFP-75, AFP-120 & 150	116.33	130.29
25	355900	Strainer pot AFP-180	416.65	466.65
26	355318	Basket, plastic strainer AFP-75 & 120	32.65	36.57
26	355441	Basket, SS strainer AFP-150	150.37	168.41
26	355901	Basket, SS strainer AFP-180	325.98	365.10
27	350013	O-ring, lid AFP-75, AFP-120 & 150	2.45	2.74
27	152509	Seal, lid AFP-180	5.83	6.53
28	355301	Lid, strainer pot AFP-75, AFP-120 & 150	51.22	57.37
28	355902	Lid, strainer pot AFP-180	59.41	66.54
29	355142	Bushing, impeller nose AF-180, AFP-150 & 180	54.79	61.36
31	154527	Wrench, 8-1/2 in., strainer pot AFP-180	23.32	26.12
NOT SHOWN				
	355914	Lid strainer pot AFP-75, AFP-120 & 150 Chemical resistant black lid	49.97	55.97

¹ Pump base (item 11) include's dual radius motor support.
² Item 11A, motor support is a replacement part that fits only older style pump bases with rectangular opening.

Product on pages I52–I53.
 Replacement baskets on page I25.

Hydropump®

Replacement Parts for Swimming Pool Pumps



Item	Part No.	Description	US List	Can. List
HYDROPUMPS				
MOTORS				
1	356400	1/2F, 3/4A std. CFR key 115/230, 23 lbs.	CALL	CALL
1	356401	3/4F, 1A std. CFR key 115/230, 23 lbs.	CALL	CALL
1	356402	1F, 1-1/2A std. CFR key 115/230, 25 lbs.	CALL	CALL
1	356403	1-1/2F, 2A std. CFR key 115/230, 33 lbs.	CALL	CALL
1	356404	2F, 2-1/2A std. CFR key 230 only, 31 lbs.	857.05	959.90
1	356405	3F std. CFR key 230 only, 40 lbs.	1157.52	1296.42
2	353750	Extension, bronze shaft	34.19	38.29
3	354294	Screw, 3/8, 16 x 1-1/4 in. cap, 2 req.	2.14	2.40
4	353775	Bracket seal ¹	84.30	94.42
5	354894	Base, tri-pod pump	27.99	31.35
6	154445	Nut, 3/8, 16 hex, 2 req.	1.70	1.90
7	353043	Impeller, 1/2F, 3/4A, white ²	53.54	59.96
7	353044	Impeller, 3/4F, 1A, no color ²	53.54	59.96
7	353013	Impeller, 1F, 1-1/2A, yellow ²	53.54	59.96
7	353049	Impeller, 1-1/2F, 2A, green ²	53.54	59.96
7	353050	Impeller, 2F, 2-1/2A, red ²	53.54	59.96
7	353220	Impeller, 3F, blue ²	56.01	62.73
8	352626	O-ring, volute	6.11	6.84
9	353912	Volute	216.76	242.77
10	192323	O-ring	5.01	5.61

Item	Part No.	Description	US List	Can. List
11	154481	Plug, 1/4 in., drain plug, black	1.33	1.49
12	354125	Pot, 590 plastic strainer	146.06	163.59
12	354127	Pot, 700 plastic strainer	309.52	346.66
13	354280	Knob, pot, 2 req.	13.76	15.41
14	353625	Lid, 590 clear plastic	51.29	57.44
14	353525	Lid, 700 clear plastic	70.86	79.36
14	354114	Lid, 700 strainer pot Baquacil	CALL	CALL
15	352602	O-ring, 590 lid	5.26	5.89
15	352600	O-ring, 700 lid	6.73	7.54
16	352656	Basket w/handle, 590 plastic	12.39	13.88
16	352670	Basket w/handle, 700 plastic	29.93	33.52
17	354001	Seal, 3/4 in. mechanical, PS201	CALL	CALL
18	354265	Screw, 5/16, 18 hex wsh. hd., 8 req.	1.70	1.90
19	354290	Screw, 3/8, 16 x 1 in. SS cap, 4 req.	2.11	2.36
20	354256	Screw, 1/4, 20 x 3/8 in. SS, 2 req.	1.40	1.57
21	154909	Outrigger, motor	10.17	11.39

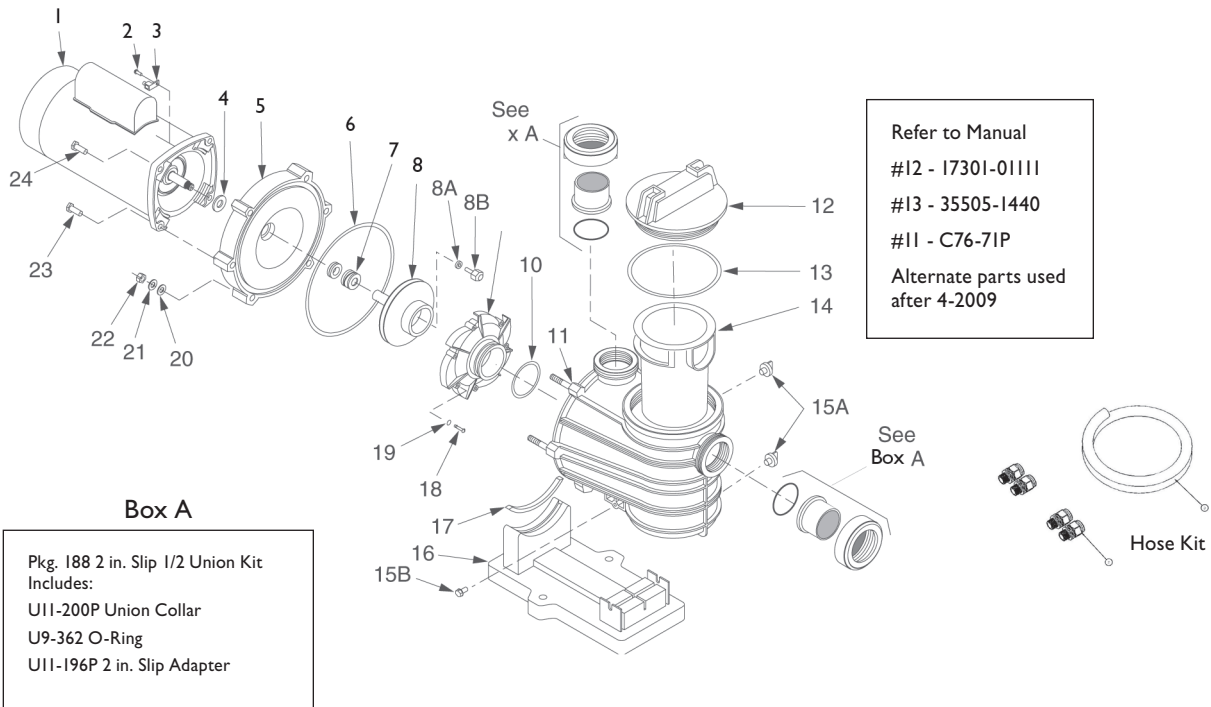
Note: When ordering replacement motor, give all information on motor name plate.

¹ Prior to 1981, use P/N 353728.

² Color coded dots indicate impeller HP.

Dyna-Wave® Series

Replacement Parts

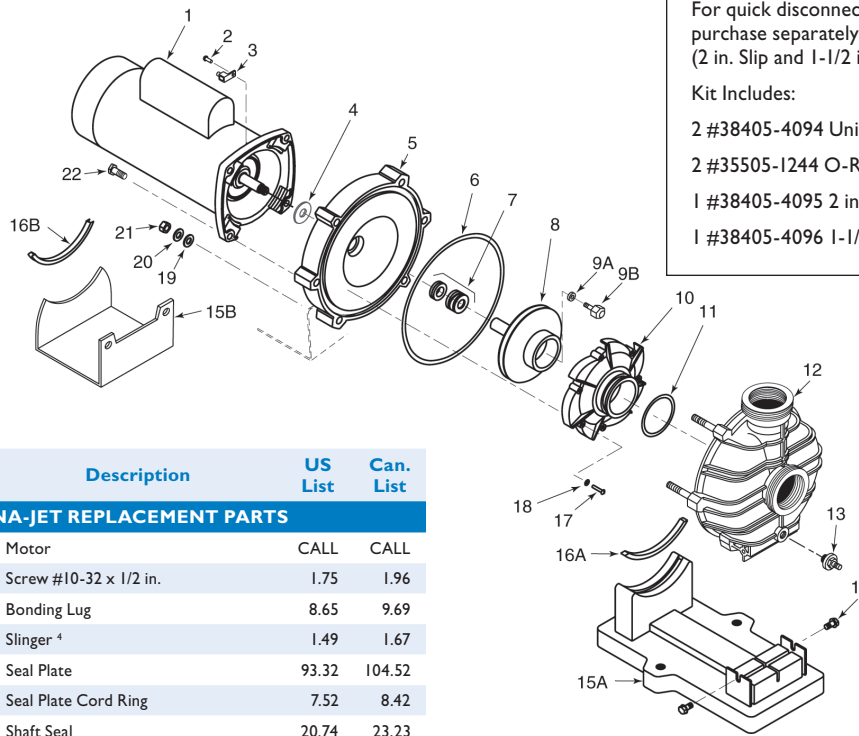


Item	Part No.	Description	US List	Can. List
DYNA-WAVE REPLACEMENT PARTS				
1	62003-2088	Motor, 115/230V 1750 RPM	314.98	352.78
2	U30-692SS	Screw #10-32 x 1/2 in.	1.75	1.96
3	U17-568	Bonding Lug	8.65	9.69
4	C69-2	Slinger	5.54	6.20
5	C3-184P	Seal Plate	93.32	104.52
6	U9-373	Seal Plate Cord Ring	7.52	8.42
7	37400-0027S	Shaft Seal	22.99	25.75
8	CI05-236PDA	Impeller	37.67	42.19
9	C1-270P	Diffuser	23.36	26.16
10	U9-374	Diffuser O-Ring	4.63	5.19
11	C76-58P	Tank and Trap Body (Only)	194.41	217.74
12	C3-185P	Trap Cover	48.87	54.73
13	U9-375	Trap Cover O-Ring	13.25	14.84
14	C8-58P	Trap Basket	10.95	12.26
15A	U178-920P	Drain Plug	2.64	2.96
15B	U30-919SS	Mounting Screw 5/16-14 x 5/8 in.	3.47	3.89

Item	Part No.	Description	US List	Can. List
16	C4-77P	Base	39.46	44.20
17	C35-45	Motor Pad	3.58	4.01
18	U30-542SS	Screw #8-32 x 7/8 in. Rd. Hd.	1.79	2.00
19	U43-21SS	Lock Washer #8 Ext. Tooth	1.49	1.67
20	U43-62SS	Flat Washer 3/8 in.	1.49	1.67
21	U43-12SS	Lock Washer 3/8 in.	2.33	2.61
22	U36-38SS	Nut 3/8-16 Hex	2.20	2.46
23	U30-74SS	Cap Screws 3/8-16 x 1 in. Hex.	3.49	3.91
NOT SHOWN				
	32155-4071	Nameplate	CALL	CALL
	U63-13	Tag, "CAUTION This pump equipped with mechanical shaft seal..."	0.71	0.80
	U27-153	Voltage Sticker	0.74	0.83
	C63-12	Tag, "WARNING/CAUTION/Instructions..."	3.98	4.46

Dyna-Jet™ Series

TPE Series Replacement Parts



For quick disconnect pipe connections, purchase separately Part No. 77703-0105 (2 in. Slip and 1-1/2 in. Slip Union Kit).

Kit Includes:

- 2 #38405-4094 Union Collars
- 2 #35505-1244 O-Ring
- 1 #38405-4095 2 in. Slip Adapter
- 1 #38405-4096 1-1/2 in. Slip Adapter

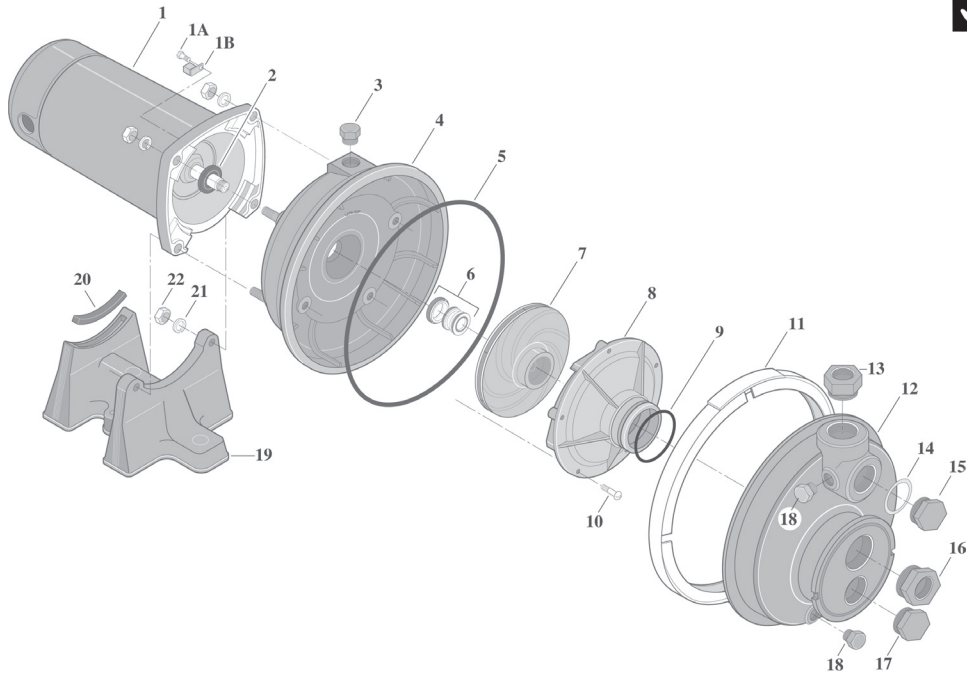
Item	Part No.	Description	US List	Can. List
DYNA-JET REPLACEMENT PARTS				
1	See Chart	Motor	CALL	CALL
2	U30-692SS	Screw #10-32 x 1/2 in.	1.75	1.96
3	U17-568	Bonding Lug	8.65	9.69
4	I7351-0009	Slinger ⁴	1.49	1.67
5	C3-184P	Seal Plate	93.32	104.52
6	U9-373	Seal Plate Cord Ring	7.52	8.42
7	I7351-0101S	Shaft Seal	20.74	23.23
8	See Chart	Impeller	CALL	CALL
9A	33455-1047	Impeller Lock Screw Gasket ¹	5.50	6.16
9B	37337-6080	Impeller Lock Screw ¹	15.30	17.14
10	CI-270P	Diffuser ²	23.36	26.16
11	U9-374	Diffuser O-Ring	4.63	5.19
12	I7303-0001	Pump Body (Only)	149.80	167.78
13	U178-920P	Drain Plug	CALL	CALL
14	U30-919SS	Hi-Lo Screw 5/16-14 x 5/8 in.	3.47	3.89
15A	C4-77P	Base - Corrosion Resistant	39.46	44.20
15B	I7303-0113	Base - Steel ³	37.19	41.65
16A	C35-4S	Motor Pad - for Corrosion Resistant Base	CALL	CALL
16B	C35-5	Motor Pad - for Steel Base ³	19.99	22.39
17	U30-542SS	Screw #8-32 x 7/8 in. Rd. Hd.	1.79	2.00
18	U43-21SS	Lock Washer #8 Ext. Tooth	1.49	1.67
19	U43-62SS	Flat Washer 3/8 in.	1.49	1.67
20	U43-12SS	Lock Washer 3/8 in.	2.33	2.61
21	U36-38SSW	Nut 3/8-16 Hex	CALL	CALL
22	U30-74SS	Cap Screws 3/8-16 x 1 in. Hex.	3.49	3.91
NOT SHOWN				
	U33-174	Nameplate	CALL	CALL
	U27-635	Decal, "Tested for use with spas..."	CALL	CALL
	U27-153	Voltage Sticker 115/230 Volts (1-1/2 HP only)	0.74	0.83
	U27-68	Voltage Sticker 230 Volts (2, 2-1/2, HP and 3 Ph. only)	CALL	CALL
	61002-0004	Decal - "GFCI Required"	0.28	0.31
	U9-359	Drain Plug O-Ring	CALL	CALL

Parts are common to all models except as noted:
Key Nos. 1, Motor; and 8, Impeller, are listed below.

Model No.	HP	Motor No. (Key No. 1)	Impeller (Key No. 8)
I15/230/60/1			
TPEAE-165L	1	62003-2025	CI05-236PB
TPEAF-166L	1-1/2	AEI00FLL	CI05-236PC
TPRAF-174L	1-1/2	AI00FLL	CI05-236PF
230/60/1			
TPEAG-167LS	2	AEI00GLL	CI05-236PDA
TPRAG-175L	2	AI00GLL	CI05-236PGA
TPEAAG-168LS	2-1/2	AEI00G5LL	CI05-236PEA
230/60/1 (2 Speed)			
TPRAYF-174S	1-1/2	AI00FLL-Y	CI05-236PF
TPEAYG-175L	2	AEI00GLL-Y	CI05-236PGAB
TPEAYG-175LS	2	AEI00GLL-Y	CI05-236PGAB
TPEAYG-167LS	2	AEI00GLL-Y	CI05-236PDA
TPEAAYG-168L	2-1/2	AEI00G5LL-Y	CI05-236PHA
TPEAAYG-168LS	2-1/2	AEI00G5LL-Y	CI05-236PHA

¹ Models TPEAG-167L, TPEAAG-168L, and TPRAG-167L only.
² Model TPEAE-165L and TPRAE3-165 use Part No. CI-270PC.
³ Models with LS suffix only.
⁴ Replaces C69-24 (effective 9/00).

PLBC Series Replacement Parts



Item	Part No.	Description	US List	Can. List
PLBC REPLACEMENT PARTS				
1	A100CHL	Motor 115/230V/60H/1 Ph.	253.49	283.91
1A	U30-692SS	Screw, 10-32 x 1/2 in.	1.75	1.96
1B	U17-568	Lug, Bonding	8.65	9.69
2	I735I-0009	Slinger ¹	1.49	1.67
3	WC78-39T	Pipe Plug, 1/2 in. NPT	5.80	6.50
4	LI76-47P	Tank Body - Back Half	86.21	96.56
5	U9-389	O-Ring	11.08	12.41
6	U109-93SS	Shaft Seal (Pre-1995)	18.50	20.72
6	I735I-0102S	Shaft Seal	23.51	26.33
7	J105-8PACN	Impeller	61.06	68.39
8	J1-40P	Diffuser	48.83	54.69
9	U9-199	O-Ring, Diffuser	2.59	2.90
10	U30-542SS	Screw, 10-32 x 7/8 in.	1.79	2.00
11	C19-54SS	Clamp, Tank Body	72.18	80.84
12	L76-37P	Tank Body - Front Half	172.60	193.31
13	U78-118P	Reducer Bushing, 1 in. x 3/4 in.	5.37	6.01
14	L20-40	Gasket	2.77	3.10
15	L23-4PI	Bushing	6.83	7.65
16	U78-123PT	Reducer Bushing, 1-1/4 in. x 3/4 in.	10.71	12.00
17	U78-830PT	Pipe Plug, 1 in. NPT	8.53	9.55
18	WC78-40T	Pipe Plug, 1/4 in. NPT	2.64	2.96
19	C4-42P	Base	35.45	39.70
20	C35-1I	Motor Pad	2.56	2.87
21	U43-11SS	Lockwasher	1.79	2.00
22	U36-37SS	Nut, Hex 5/16 in.-18	CALL	CALL
NOT SHOWN				
	J3-2	Insert (Pre-1995)	10.63	11.91
	J104-9C	Base (Pre-1995)	34.69	38.85
	C35-5	Motor Pad (Pre-1995)	19.99	22.39
	WC78-41T	Pipe Plug, 1/8 in. NPT	3.02	3.38

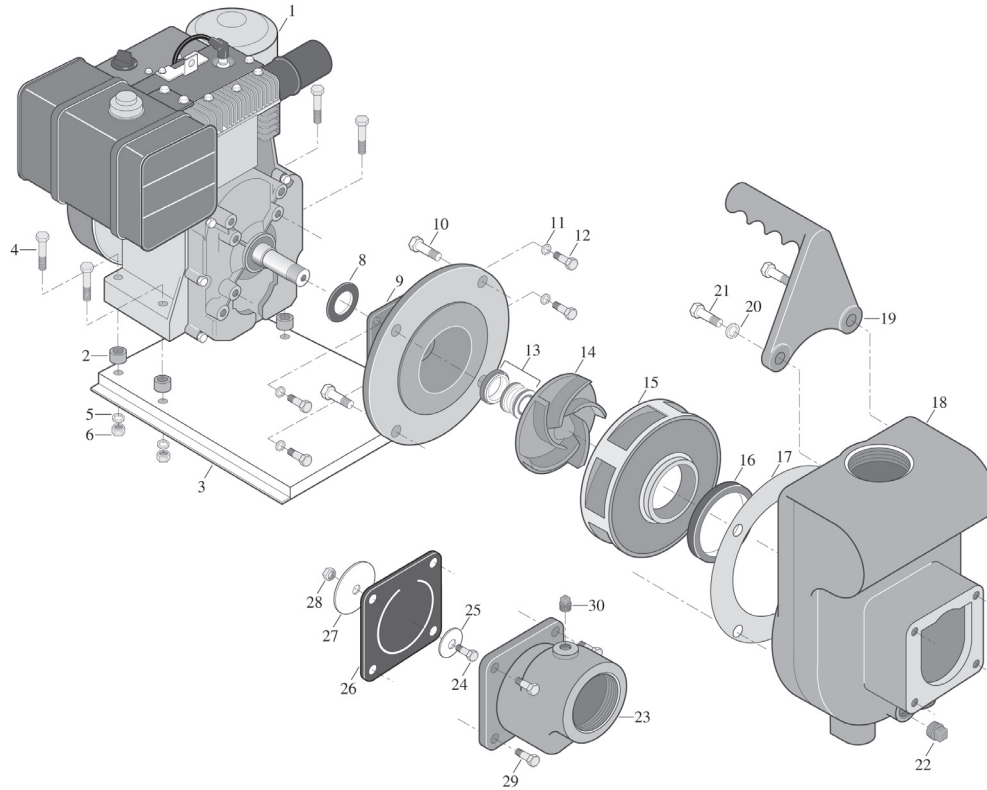
¹ Replaces C69-2 (effective 9/00).

Gas Engine Self Priming Centrifugal Pump

ED Series Replacement Parts



**MODEL
EDPH-29R**



Item	Part No.	Description	US List	Can. List
ED SERIES REPLACEMENT PARTS				
1	U277-24R	Gas Engine - 3 HP ¹	691.37	774.33
2	C43-20	Engine Pads	CALL	CALL
3	C104-9	Pump Base	63.56	71.19
4	U30-665FTZP	Capscrew, 5/16-18 x 1-3/4 in.	CALL	CALL
5	U43-11ZP	Lockwasher	CALL	CALL
6	U36-37ZP	Nut, Hex 5/16-18	CALL	CALL
8	I7351-0009	Water Slinger	1.49	1.67
9	C2-14B	Adapter	117.03	131.07
10	U30-72SS	Capscrew, 3/8-16 x 3/4 in.	3.49	3.91
11	U43-11ZP	Lockwasher	CALL	CALL
12	U30-777ZP	Capscrew, 5/16-24 x 7/8 in.	CALL	CALL
13	U109-106SS	Shaft Seal	32.49	36.39
14	C5-60	Impeller	86.21	96.56
15	C1-51	Volute Diffuser	106.88	119.71
16	C21-2	Diffuser Ring	4.61	5.16
17	C20-21	Gasket	4.05	4.54
18	C76-1	Tank Body w/Capscrews	295.55	331.02
19	C54-9	Handle	CALL	CALL
20	U43-12ZP	Lockwasher, 3/8 in.	1.27	1.42
21	U30-74ZP	Capscrew, 3/16-16 x 1 in.	2.04	2.28
22	U78-57SSS	Pipe Plug, 1/4 in. NPT	6.95	7.78
29	U30-60SS	Capscrew, 5/16-18 x 3/4 in.	3.09	3.46

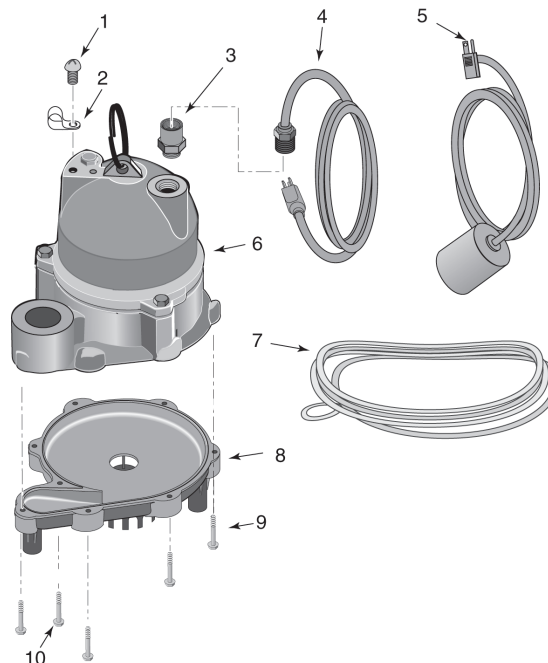
¹ For repair service to engines, always give the engine model number and any other data found on the engine model plate or stamped on engine housing.

Submersible Swimming Pool Drainer Replacement Parts



**MODEL
DC250120T
DC250120T - G**

Item	Part No.	Description	US List	Can. List
SWIMMING POOL DRAINER REPLACEMENT PARTS				
1	U30-539SS	Screw, #8-1/2 in. self-tapping	2.21	2.48
2	CC0030-13	Cable Clamp	2.12	2.37
3	PSI7-46P	Cord Connector	7.02	7.86
4	PW17-122	Power Cord - 20 ft. - Model DC250120T	72.18	80.84
5	PSI7-111	Float Switch	88.61	99.24
7	U97-21A	Rope - 24 ft.	26.29	29.44
8	PSI-34P	Lower Pump Body	28.80	32.26
9	U30-966SS	Lower Pump Body Screw #10-32 x 1 in. Hex Washer, self-tapping	0.92	1.03
10	U30-967SS	Lower Pump Body Screw #10-32 x 1/8 in. Hex Washer, self-tapping	2.12	2.37



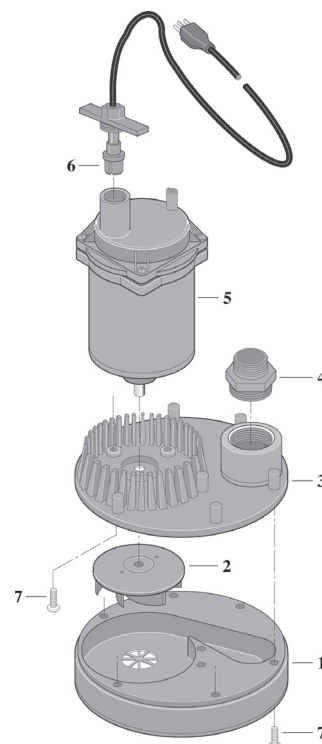
¹ If motor fails, replace entire pump.

Submersible Swimming Pool Drainer Replacement Parts



**MODEL
PSD3**

Item	Part No.	Description	US List	Can. List
PSD3 SERIES REPLACEMENT PARTS				
1	FP0005797A	Lower Pump Body	6.54	7.32
2	FT1074	Impeller	CALL	CALL
3	FP0005796A	Upper Pump Body	6.54	7.32
4	FT0013-43	Garden Hose Adapter	5.72	6.41
6	OV-ELCOR8	Power Cord	59.82	67.00
NOT SHOWN				
	FP003414S	Service Kit (PSD - I Cyclone Only)	CALL	CALL
	RP4940-21	Pump Head Assembly (PSD - I Cyclone Only)	CALL	CALL
	FP003415S	Brush Kit (PSD - I Cyclone Only)	CALL	CALL

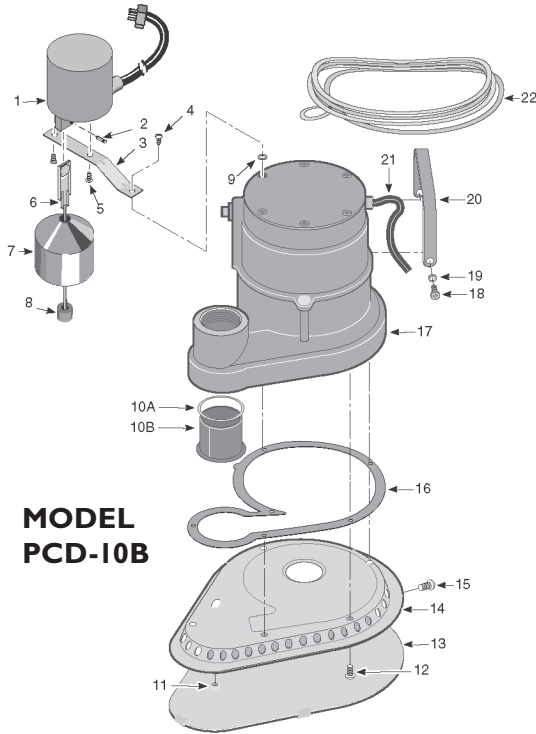


¹ Standard hardware item, purchase locally.

² If motor fails, replace entire pump.

Note: PSD-2 Typhoon is not consumer serviceable.

Submersible Swimming Pool Drainer Replacement Parts



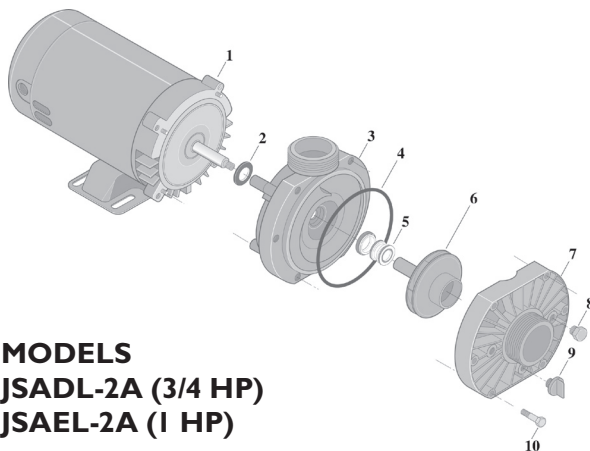
**MODEL
PCD-10B**

Item	Part No.	Description	US List	Can. List
SWIMMING POOL DRAINER REPLACEMENT PARTS				
1	PS17-89	Switch (Incl. Key Nos. 2-9)	CALL	CALL
2	PS30-3	Pin	CALL	CALL
3	PS19-10ISS	Bracket	CALL	CALL
4	U30-539	Screw	CALL	CALL
5	U30-955SS	Screw	CALL	CALL
6	PS28-17	Float Rod	CALL	CALL
7	PS28-18	Float	CALL	CALL
8	RP0005248	Rubber Rod Stop	CALL	CALL
9	RP0001616	Rubber Gasket	CALL	CALL
10A	PS43-10	Retainer Ring	4.12	4.61
10B	PS20-12	Check Valve	8.31	9.31
11	U36-129DN	Locknut, 8-32	CALL	CALL
12	U30-539SS	Machine Screw 8-32 x 1/2 in.	2.21	2.48
13	PS4-11D	Base Plate Cover	84.37	94.49
14	PS4-9D	Base Plate	101.44	113.61
15	U30-692SS	Machine Screw 10 x 1/2 in.	1.75	1.96
16	PS20-22	Gasket	2.48	2.78
18	U30-694SS	Screw, 1/4-20 x 1/2 in.	CALL	CALL
19	PS43-15	Spacer	CALL	CALL
20	PS54-11	Handle	13.01	14.57
21	UI7-505	Cord	41.53	46.51
22	U97-21A	Rope - 24 Feet	26.29	29.44

U30-955S?

Product on page 201.

Dura-Jet™ Spa Pump JS Series Replacement Parts



**MODELS
JSADL-2A (3/4 HP)
JSAEL-2A (1 HP)**

Item	Part No.	Description	US List	Can. List
DURA-JET SPA PUMP REPLACEMENT PARTS				
1	AS920DLL	Motor 115V/60H/1 Ph. Model JSADL-2A	219.53	245.87
1	AS920ELL	Motor 115V/60H/1 Ph. Model JSAEL-2A	229.07	256.56
2	C69-23	Slinger	2.34	2.62
3	CI-260P	Seal Plate	53.89	60.36
4	35505-1438	O-Ring ²	7.16	8.02
5	37400-0027S	Seal ¹	22.99	25.75
6	CI05-228PE	Impeller - Model JSADL-2A	44.32	49.64
6	CI05-228PF	Impeller - Model JSAEL-2A	44.32	49.64
7	CI01-262P	Front Plate	69.46	77.80
8	WC78-40T	Pipe Plug, 1/4 in. NPT	2.64	2.96
9	UI78-920P	Drain Plug w/O-Ring	2.64	2.96
10	30787-0005	Capscrew, 1/4-20 x 1-3/4 in.	3.70	4.14
NOT SHOWN				
	U9-359	Drain Plug O-Ring	CALL	CALL
	CI98-2	Union Half Package	CALL	CALL

¹ Replaces UI09-358SS (effective 1/01).

² Replaces U9-357 (effective 11/01).

Dura-Jet™ Spa Pump

JS Series Replacement Parts



1/2 HP Models:

JSACL-A
JSACL-C

3/4 HP Models:

JSADL-A
JSADL-C

3/4 HP/2 Speed Models:

JSAYDL-230A
JSAYDL-A
JSAYDL-C

1 HP Models:

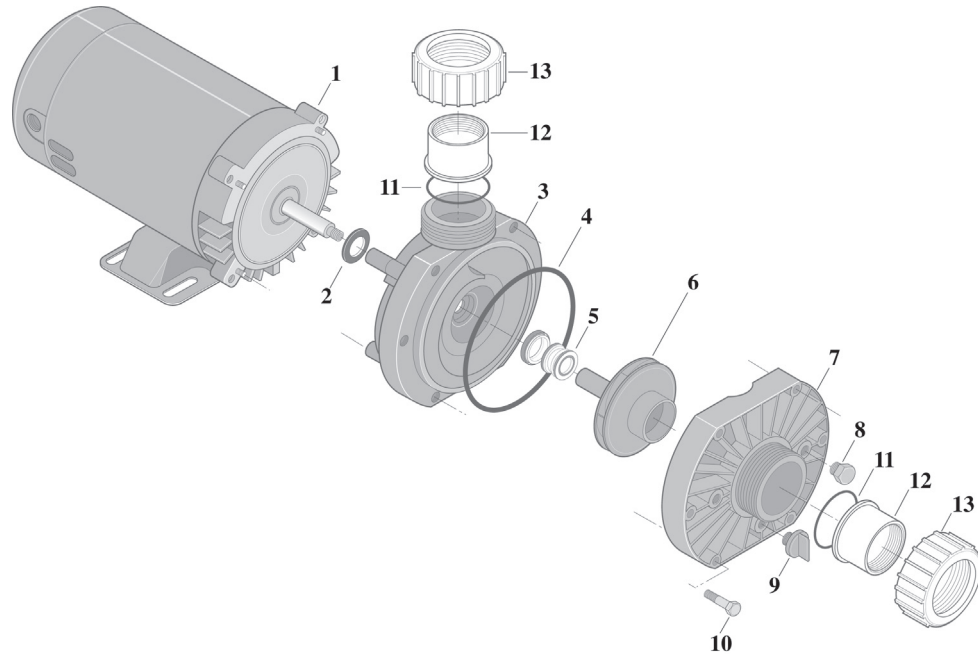
JSAEL-230A
JSAEL-A
JSAEL-C

1 HP/2 Speed Models:

JSAYELC-A
JSAYEL-230A
JSAYEL-A
JSAYEL-C

1-1/2 HP Models:

JSAYFL-230A



Item	Part No.	Description	US List	Can. List
JS SERIES PUMPS				
1	AS900CLL	Motor 115V/60H/1 Ph. (-A) - 1/4 HP	220.75	247.24
1	AS900DLL-Y	Motor 115V/60H/1 Ph. (-A) 3/4 HP/2 Speed	304.82	341.40
1	AS900ELL-Y	Motor 115V/60H/1 Ph. (-A) 1 HP/2 Speed	368.88	413.15
1	AS923DL	Motor 230V/60H/1 Ph. - 3/4 HP	224.14	251.04
1	AS923EL	Motor 230V/60H/1 Ph. - 1 HP	250.51	280.57
2	C69-23	Slinger	2.34	2.62
3	CI-260P	Seal Plate	53.89	60.36
4	35505-1438	O-Ring ²	7.16	8.02
5	37400-0027S	Seal ¹	22.99	25.75
6	CI05-228PC	Impeller - 1/2 HP	45.56	51.03
6	CI05-228PB	Impeller - 3/4 HP, 3/4 HP/2 Speed	45.56	51.03
6	CI05-228P	Impeller - 1 HP	34.02	38.10
7	CI01-262P	Front Plate	69.46	77.80
8	WC78-40T	Pipe Plug, 1/4 in., NPT	2.64	2.96
9	UI78-920P	Drain Plug W/ O-Ring	2.64	2.96
10	30787-0005	Capscrew, 1/4-20 x 1-3/4 in.	3.70	4.14
11	U9-226	O-Ring	1.79	2.00
12	UI1-183PM	Adapter, Union	9.53	10.67
13	UI1-182PM	Collar, Union	11.81	13.23
NOT SHOWN				
	U9-359	Drain Plug O-Ring	CALL	CALL

¹ Replaces UI09-358SS (effective 1/01).

² Replaces U9-357 (effective 11/01).

LT Series Replacement Parts



3/4 - 1/8 HP Models:

LTAYDRL

1/8 HP Models:

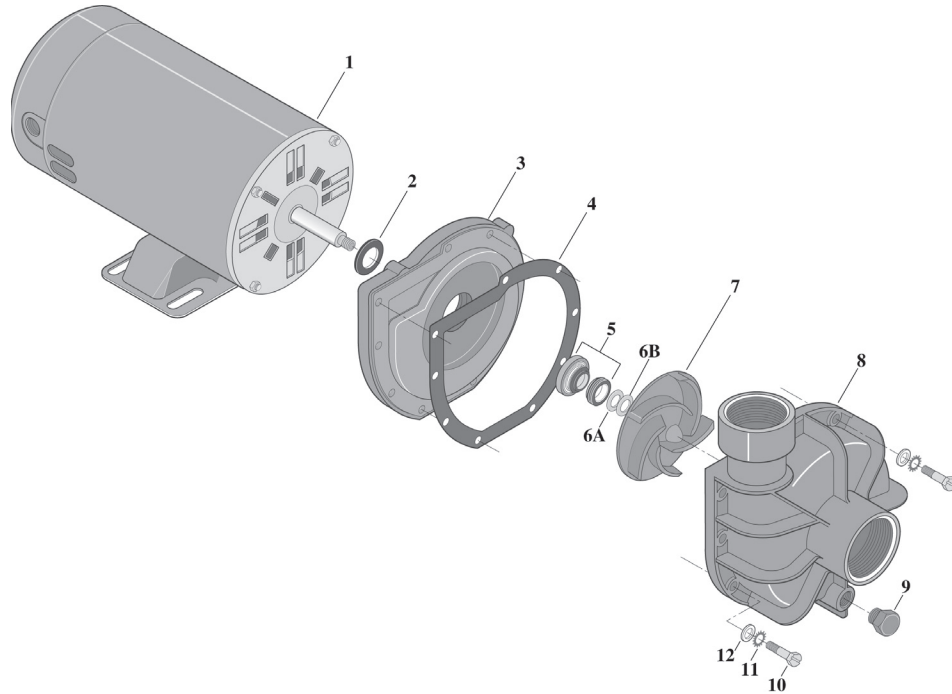
LT1/6L

1/2 HP Models:

LTACL

3/4 HP Models:

LTADL



Item	Part No.	Description	US List	Can. List
LT SERIES PUMPS				
1	A800DLL-Y	Motor 115V/60H/1 Ph. ¹ - 3/4-1/8 HP	292.47	327.57
1	A800A16L	Motor 115V/60H/1 Ph. ¹ - 1/8 HP	196.01	219.53
1	A800CL	Motor 115V/60H/1 Ph. ¹ - 1/2 HP	280.75	314.44
1	A800DL	Motor 115V/60H/1 Ph. ¹ - 3/4 HP	253.85	284.31
2	C69-7	Slinger	2.10	2.35
3	CI-84P2	Seal Plate	120.70	135.18
4	C20-31B	Gasket	10.97	12.29
5	U109-68SS	Shaft Seal	38.38	42.99
6A	C43-21D	Shim. (.010 Thick) As Required	2.03	2.27
6B	C43-22D	Shim. (.029 Thick) As Required	2.33	2.61
7	C5-175P	Impeller - 3/4-1/8 HP	41.80	46.82
7	C5-151P2	Impeller - 1/8 HP	51.00	57.12
7	C5-151P1	Impeller - 1/2 HP	26.83	30.05
7	C5-175P	Impeller - 3/4 HP	41.80	46.82
8	CI01-247P	Volute	60.80	68.10
9	WC78-40T	Pipe Plug, 1/4 in. NPT	2.64	2.96
10	U30-871SS	Capscrew, 10 x 5/8 in.	1.49	1.67
11	U43-22SS	Lockwasher	1.52	1.70
12	U43-113SS	Washer, Flat	1.49	1.67
NOT SHOWN				
	PPI075	Seal and Gasket Kit	53.97	60.45
	PPI082	Overhaul Kit - 3/4-1/8 HP, 3/4 HP	76.35	85.51
	PPI080	Overhaul Kit - 1/8 HP	76.35	85.51
	PPI081	Overhaul Kit - 1/2 HP	68.86	77.12
	U11-183PM	Adapter, Union - 1-1/2 in. Slip	9.53	10.67
	U11-182PM	Collar Union	11.81	13.23
	U9-226	O-Ring, Union	1.79	2.00

¹ For SK110 or SK220 Series Cabinet Spa, order Motor No. C218-221E.

Dura-Jet™ Tub Pump

JT Series Replacement Parts



1/2 HP Models:

JTACL-A
JTACL-A
JTACL-AA

3/4 HP Models:

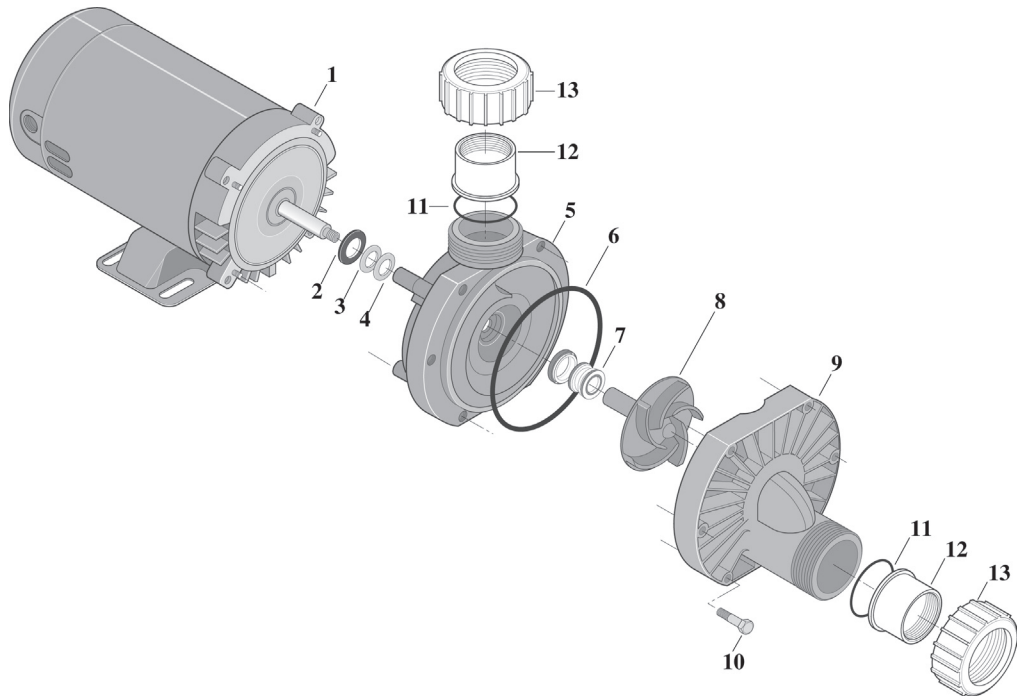
JTADLC-2A
JTADL-A, -2A
JTADL-AA
JTADL-220AA
JTAD-230A

1 HP

JTAELC-2A
JTAEL-A, -2A
JTAEC-AA
JTAEL-220AA
JTAE-230A

1-1/2 HP Models:

JTAFLC-2A
JTAF-2A



Item	Part No.	Description	US List	Can. List
JT SERIES PUMPS				
1	AS900CLL	Motor 115V/60H/1 Ph. (-A, -AA) 1/2 HP	220.75	247.24
1	AS920DLL	Motor 115V/60H/1 Ph. (-A, -AA) 3/4 HP	219.53	245.87
1	AS920ELL	Motor 115V/60H/1 Ph. (-A, -AA) 1 HP	229.07	256.56
1	AS920FLL	Motor 115V/60H/1 Ph. (-2A) 1-1/2 HP	247.88	277.63
1	AS923DL	Motor 230V/60H/1 Ph. (-230A) 3/4 HP	224.14	251.04
1	AS923EL	Motor 230V/60H/1 Ph. (-230A) 1 HP	250.51	280.57
2	C69-23	Slinger	2.34	2.62
3	C43-21D	Impellar Shim. (.10) ¹	2.03	2.27
4	C43-22D	Impellar Shim. (.0299) ¹	2.33	2.61
5	CI-260P	Seal Plate	53.89	60.36
6	35505-1438	O-Ring ³	7.16	8.02
7	37400-0027S	Seal ²	22.99	25.75
8	C5-228PC	Impeller - 1/2 HP	29.13	32.63
8	C5-228PB	Impeller - 3/4 HP	29.13	32.63
8	C5-229P	Impeller - 1 HP	28.82	32.28
8	17301-0001	Impeller - 1-1/2 HP	CALL	CALL
9	CI-261P	Front Plate	76.08	85.21
10	30787-0005	Capscrew, 1/4-20 x 1-3/4 in.	3.70	4.14
11	U9-226	O-Ring, Union	1.79	2.00
12	U11-183PM	Adapter, Union	9.53	10.67
13	U11-182PM	Collar, Union	11.81	13.23
NOT SHOWN				
	62002-0001	Air Switch - 1/4 HP, 3/4 HP, 1 HP	145.17	162.59

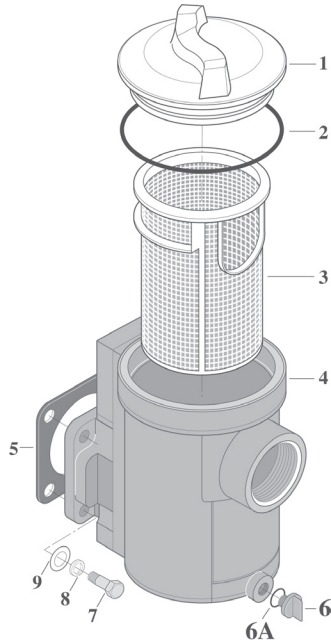
¹ As needed for proper impeller spacing.

² Replaces U109-358SS (effective 1/01).

³ Replaces U9-357 (effective 11/01).

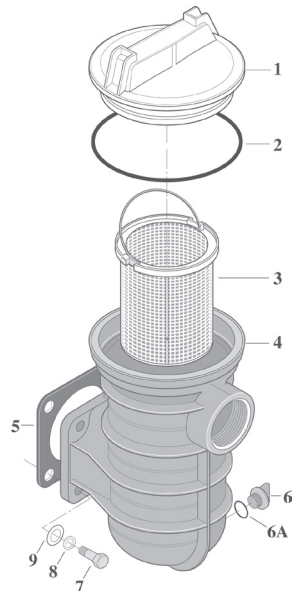
Plastic Suction Trap Assembly

Package No 161 - 6 in. Replacement Parts



Item	Part No.	Description	US List	Can. List
PKG. 181 6-IN. TRAP REPLACEMENT PARTS				
1	I6920-0011	Lid	CALL	CALL
2	I6920-0012	O-Ring	16.16	18.10
3	I6920-0017	Strainer Basket	23.36	26.16
4	C253-58P	Trap and Adapter Assembly	233.91	261.98
5	C20-123	Gasket	7.13	7.99
6	UI78-920P	Drain Plug, 1/4 in. NPT	2.64	2.96
6A	U9-359	O-Ring	CALL	CALL
7	U30-64SS	Capscrew, 5/16-18 x 1-1/4 in.	3.20	3.58
8	U43-11SS	Lockwasher, 5/16 in.	1.79	2.00
9	U43-41SS	Washer, 5/16 in. Flat	1.75	1.96
NOT SHOWN				
	C2-82P	Adapter Bracket	CALL	CALL
	U9-285	Adapter O-Ring	3.47	3.89

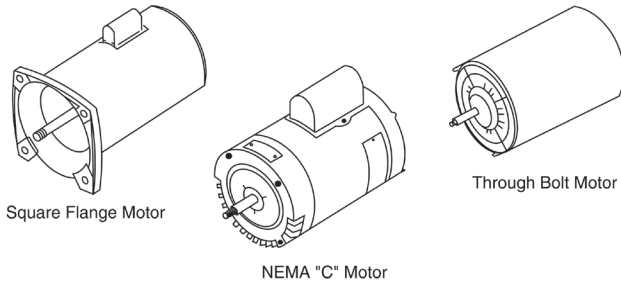
Package No 115 - 5 in. Replacement Parts



Item	Part No.	Description	US List	Can. List
PKG. 115 5-IN. TRAP REPLACEMENT PARTS				
1	C3-139PI	Cover	45.88	51.39
1A	C3-139P3	Cover (Biguanide Resistant)	59.30	66.42
2	U9-229	O-Ring, Cover	10.71	12.00
3	CI08-33P	Strainer Basket *	10.14	11.36
4	CI53-53PI	Trap Body	88.39	99.00
5	C20-123	Gasket	7.13	7.99
6	UI78-920P	Pipe Plug, 1/4 in. NPT	2.64	2.96
6A	U9-359	O-Ring	CALL	CALL
7	U30-64SS	Capscrew, 5/16 - 18 x 1-1/4 in.	3.20	3.58
8	U43-11SS	Lockwasher	1.79	2.00
9	U43-41SS	Washer, Flat	1.75	1.96
NOT SHOWN				
	I7304-0161	Fine Mesh Bag	17.23	19.30
	PKG115	Complete Suction Trap Assembly	CALL	CALL

Motors

Replacement Parts



Please note: Pentair Inground Pumps only. Does not include Pentair or StaRite Commercial, StaRite Inground, Pentair or StaRite Aboveground or Sump motors

Part No.	Description	US List	Can. List
SQUARE FLANGE MOTORS, SINGLE SPEED STD., 60 HZ			
355371S	1/2 HP F, 3/4A, 115/230 Volt, black	CALL	CALL
075232S	1/2 HP F, 3/4A, 115/230 Volt, almond	CALL	CALL
355339S	3/4 HP F, 1A, 115/230 Volt, black	CALL	CALL
075233S	3/4 HP F, 1A, 115/230 Volt, almond	CALL	CALL
355340S	1 HP F, 1/2A, 115/230 Volt, black	CALL	CALL
075234S	1 HP F, 1/2A, 115/230 Volt, almond	CALL	CALL
355342S	1-1/2 HP F, 2A, 115/230 Volt, black	CALL	CALL
075235S	1-1/2 HP F, 2A, 115/230 Volt, almond	CALL	CALL
075236S	2 HP F, 2-1/2A, 230 Volt, almond	CALL	CALL
355702S	2 HP F, 2-1/2A, 230 Volt, black	CALL	CALL
075237S	3 HP F, 230 Volt, almond	CALL	CALL
355703S	3 HP F, 230 Volt, black	CALL	CALL
SQUARE FLANGE MOTORS, SINGLE SPEED, ENERGY EFFICIENT, 50 HZ			
355513S	3/4 HP, 120/240 Volt	CALL	CALL
355514S	1 HP, 120/240 Volt	CALL	CALL
355515S	1-1/2 HP, 240 Volt	CALL	CALL
355516S	2 HP, 240 Volt	CALL	CALL
355517S	3 HP, 240 Volt	CALL	CALL
SQUARE FLANGE MOTORS, SINGLE SPEED, ENERGY EFFICIENT, 60 HZ			
355391S	3/4 HP F, 1A, 115/208/230 Volt, black	CALL	CALL
071313S	3/4 HP F, 1A, 115/208/230 Volt, almond	CALL	CALL
355392S	1 HP F, 1-1/2A, 115/208/230 Volt, black	CALL	CALL
071314S	1 HP F, 1/2A, 115/208/230 Volt, almond	CALL	CALL
356626S	1 HP F, 1/2A, 115/208/230 Volt, almond	CALL	CALL
355393S	1-1/2 HP F, 2A, 208/230 Volt, black	CALL	CALL
071315S	1-1/2 HP F, 2A, 208/230 Volt, almond	CALL	CALL
355394S	2 HP F, 2-1/2A, 208/230 Volt, black	CALL	CALL
071316S	2 HP F, 2-1/2A, 208/230 Volt, almond	CALL	CALL
355395S	3 HP F, 208/230 Volt, black	CALL	CALL
071317S	3 HP F, 208/230 Volt, almond	CALL	CALL
355705S	5 HP F, 208/230 Volt	CALL	CALL
SQUARE FLANGE MOTORS, TWO SPEED, 60 HZ			
355375S	3/4 HP F, 1A, 115 Volt, black	CALL	CALL
355232S	3/4 HP F, 1A, 230 Volt, black	CALL	CALL
355376S	1 HP F, 1/2A, 230 Volt, black	CALL	CALL
355377S	1-1/2 HP F, 2A, 230 Volt, black	CALL	CALL
355378S	2 HP F, 2-1/2A, 230 Volt, black	CALL	CALL
356630S	1 HP F, 1/2A, 230 Volt, almond	CALL	CALL
071320S	1-1/2 HP F, 2A, 230 Volt, almond	CALL	CALL
071321S	2 HP F, 2-1/2A, 230 Volt, almond	CALL	CALL

Part No.	Description	US List	Can. List
SQUARE FLANGE MOTORS, 3 PHASE, ENERGY EFFICIENT, 60 HZ			
355201S	1/2 HP F, 208/230 Volt, black	CALL	CALL
356626S	1 HP F, 208/230/460 Volt, almond	CALL	CALL
355203S	1 HP F, 208/230 Volt, black	CALL	CALL
356627S	1-1/2 HP F, 208/230/460 Volt, almond	CALL	CALL
355204S	1-1/2 HP F, 208/230 Volt, black	CALL	CALL
356628S	2 HP F, 208/230/460 Volt, almond	CALL	CALL
355205S	2 HP F, 208/230 Volt, black	CALL	CALL
356629S	3 HP F, 208/230/460 Volt, almond	CALL	CALL
355398S	3 HP F, 208/230/460 Volt, black	CALL	CALL
355704S	5 HP F, 208/230/460 Volt, black	CALL	CALL
FULL RATED NEMA "C" MOTORS, 60 HZ, BLACK			
39610200S	1/2 HP, 115/230 Volt	CALL	CALL
39611300S	3/4 HP, 115/230 Volt	CALL	CALL
39612400S	1 HP, 115/230 Volt	CALL	CALL
39613600S	1-1/2 HP, 115/230 Volt	CALL	CALL
THROUGH BOLT MOTORS, SINGLE SPEED STD., 60 HZ, BLACK			
356470S	1/2 HP, 3/4 SPL, 115 Volt, w/o switch	CALL	CALL
356597S	3/4 HP, ISPL, 115 Volt, w/switch	CALL	CALL
356497S	3/4 HP, ISPL, 115 Volt, w/o switch	CALL	CALL
356436S	3/4 HP, CSA, 115 Volt, w/o switch	CALL	CALL
356595S	1 HP, 1-1/2 SPL, 115 Volt, w/switch	CALL	CALL
356495S	1 HP, 1-1/2 SPL, 115 Volt, w/o switch	CALL	CALL
356437S	1 HP, CSA, 115 Volt, w/o switch	CALL	CALL
356469S	1-1/2 HP, 2 SPL, 115/230 Volt, w/o switch	CALL	CALL
356440S	1-1/2 HP, CSA, 115 Volt, w/o switch	CALL	CALL
39610300S	2 HP, 115/230 Volt	CALL	CALL
THROUGH BOLT MOTORS, TWO SPEED, STANDARD, 60 HZ, BLACK			
39607200S	1/2 HP, 115 Volt	CALL	CALL
356485S	3/4 HP, 115 Volt	CALL	CALL
356550S	3/4 HP, 1 SPL, 115 Volt, w/switch	CALL	CALL
356551S	1 HP, 1-1/2 SPL, 115 Volt, w/switch	CALL	CALL
39607600S	1-1/2 HP, 230 Volt	CALL	CALL
39610600S	2 HP, 230 Volt	CALL	CALL

