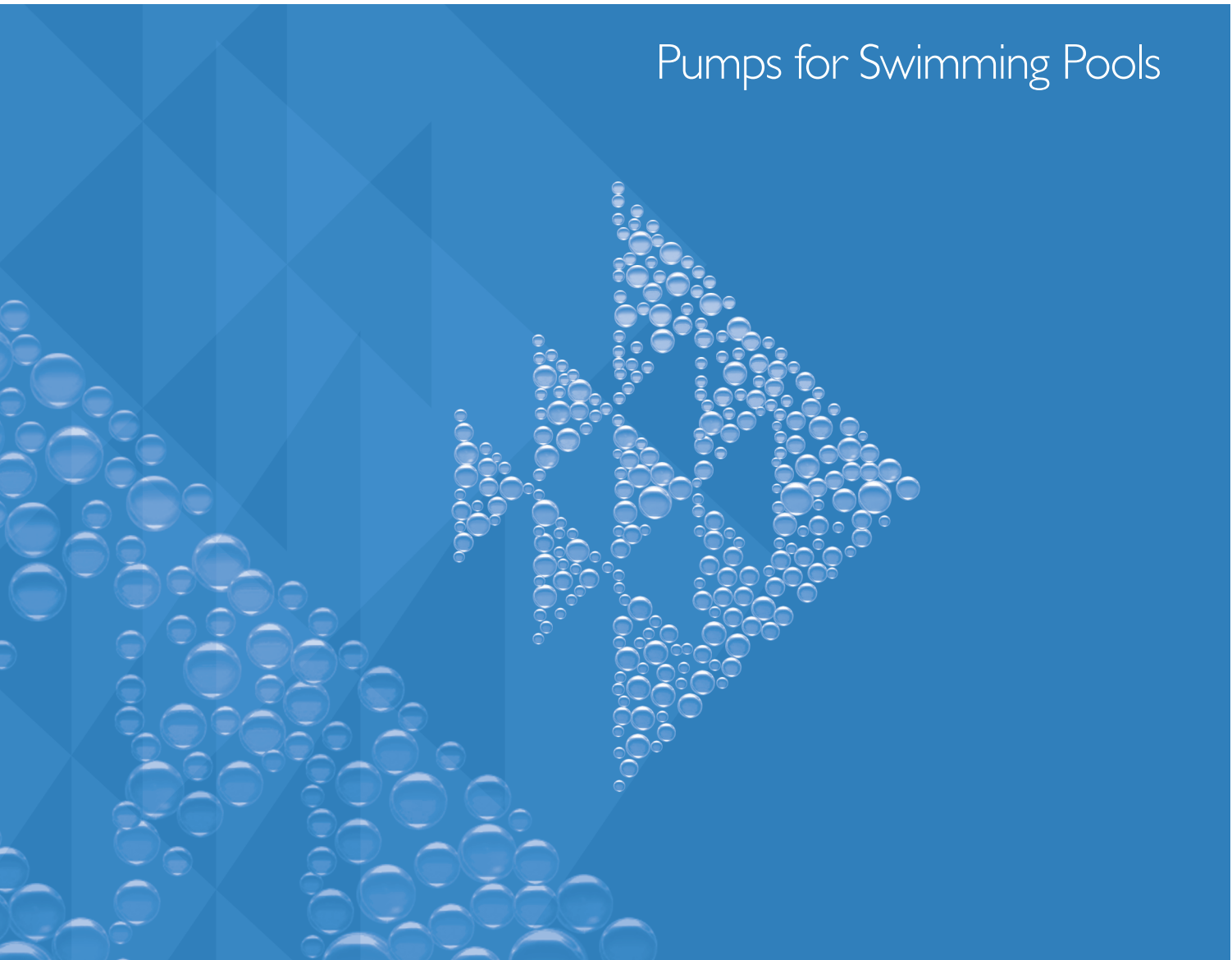


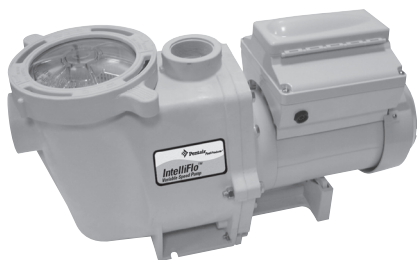


# Pumps

Pumps for Swimming Pools



# IntelliFlo® vF High Performance Pump



## IntelliFlo vF High Performance Pump

Protected by U.S. Patent No., 7,572,108, 7,612,510, 7,686,587, 7,686,589, 7,704,051, 7,751,159, D567,189, D568,340, D606,562, D611,430, D618,182 and Patent Pending and all corresponding foreign counterparts.

The IntelliFlo Variable Flow pump is the world's smartest swimming pool pump. Its onboard computer and intelligent software automatically calculate and program the minimum flow requirements for every pool task—filtering, heating, cleaning, spa jets, water features and more—to optimize performance and minimize energy use. As functions/tasks change, IntelliFlo self-adjusts to maintain optimal flow rates for further energy savings.

## Featured Highlights

- Automatically monitors and adjusts flow rates to optimize performance and minimize energy use – reduces energy consumption by up to 90%
- Built-in diagnostics protect the IntelliFlo pump from the most common causes of premature failure—loss of prime, overheating, freezing, and voltage irregularities
- Permanent magnet motor and TEFC (totally enclosed fan cooled) design assure quietest operation of any pool pump
- Super-efficient permanent magnet motors produce far less heat and vibration, resulting in less stress and wear on pump components for longer life
- Compatible with IntelliTouch®, EasyTouch®, and SunTouch® pool control systems
- CE Certified, NSF Certified, UL and CSA Listed
- Robust On Board Power Factor Correction

## Ordering Information

| Product  | Model   | Voltage | Full Load Amps | kW  | HP | SF   | SFHP | Primary Listings and Certifications <sup>4</sup>      | Port Size (NPT)                                   | Carton Wt. (Lbs.) |
|--|---|---------|----------------|-----|----|------|------|---|---|-------------------|
| <b>INTELLIFLO VF ULTRA ENERGY EFFICIENT PUMP</b> |   |         |                |     |    |      |      |   |   |                   |
| 011012   | IntelliFlo VF   | 230     | 16             | 3.2 | 3  | 1.32 | 3.95 | UL <sup>1</sup> , NSF <sup>2</sup> , CSA <sup>3</sup> | 2 in. x 2 in.                                     | 47                |
| <b>ACCESSORIES</b>                               |   |         |                |     |    |      |      |   |   |                   |
| 520641   | IntelliCom 4 - Rated 15 - 240 VAC 15-100 VDC With 4 Inputs            |         |                |     |    |      |      |   |   | 8                 |
| 521109   | IntelliCom 2 - Rated 9 - 30 V DC WITH 4 Inputs                        |         |                |     |    |      |      |   |   |                   |
| 350122   | Communication Cable - Included with IntelliFlo VF                     |         |                |     |    |      |      |   |   | 2                 |
| <b>UNIONS</b>                                    |   |         |                |     |    |      |      |   |   |                   |
| 11201-0154                                       | 2 in. x 2 in. Union (2 in. NPT male x 2 in. female NPT quick connect) |         |                |     |    |      |      |   | * Note: two required per pump (sold individually) | 2                 |

<sup>1</sup> 'UL' indicates that pump bears a specific UL mark signifying evaluation to U.S. Standards UL1081 for Permanently Connected Swimming Pool and Spa Pumps and to Canadian Standards CAN/CSA C22.2 No. 108-01 Liquid Pumps For Swimming Pools Only (Enclosure 3).

<sup>2</sup> 'NSF' indicates that pump bears a NSF mark signifying evaluation to NSF Standard 50 For Self-Priming Centrifugal Pumps For Swimming Pools Only.

<sup>3</sup> 'CSA' indicates that pump bears a CSA mark signifying evaluation to Canadian Standards CAN/CSA C22.2 No. 108-01 Liquid Pumps For Swimming Pools Only (Enclosure 3).

<sup>4</sup> Product may have been evaluated to other state and local regulatory standards. Listing status may change. Always confirm status with appropriate agency if in doubt.

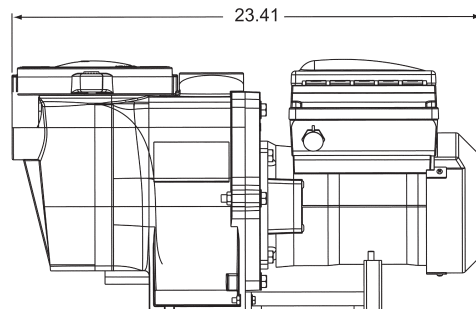
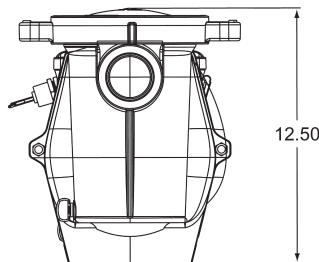
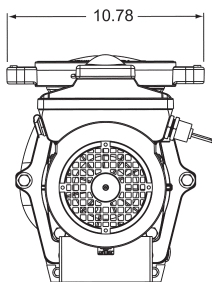
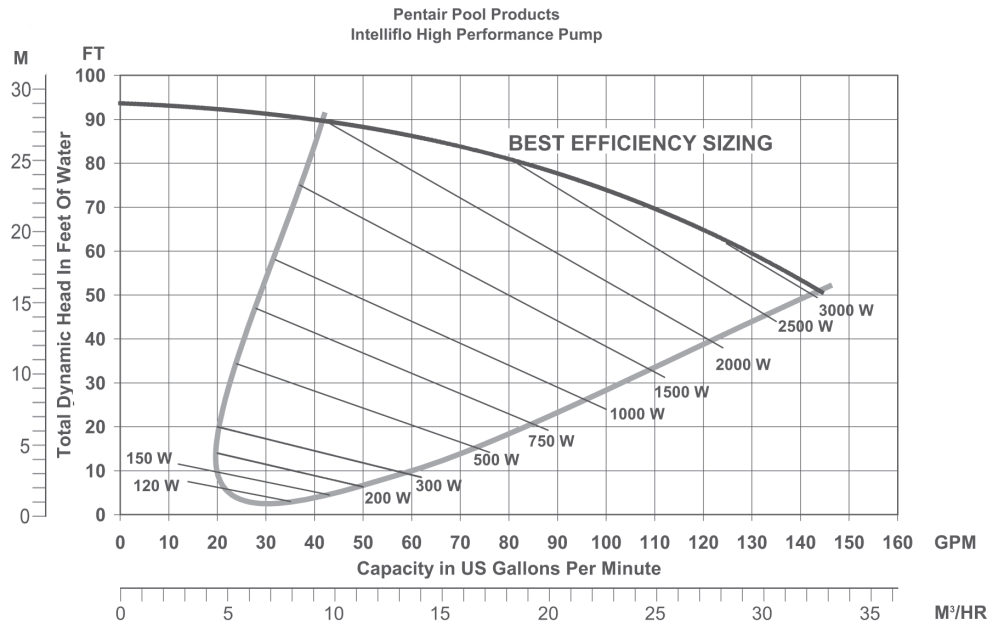
Refer to catalog page 33 for a selection of 1-and-2-Pole GFCI breakers which offer 6 milliamp personnel protection while meeting NEC 2008 Standards for Pool Pumps.

# IntelliFlo® VF High Performance Pump (Cont'd)

- Displays inform you of run time, mode and current status
- It tells you when and how to backwash your filter media
- Manual mode lets you override programming and run the pump using RPM or flow settings of your choice
- Programming is push-button easy—simple menus lead the way
- Capable of linking and communicating with IntelliTouch®\* control systems for even greater automation possibilities. Plus, IntelliFlo provides these expanded control capabilities while achieving levels of energy and cost-efficiency never available before



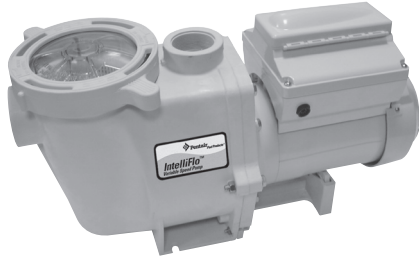
## Dimensions and Performance



Refer to catalog page 33 for a selection of 1-and-2-Pole GFCI breakers which offer 6 milliamp personnel protection while meeting NEC 2008 Standards for Pool Pumps.

See page 456 for replacement parts.

# IntelliFlo® VS-3050 & IntelliFlo VS+SVRS High Performance Pumps



## IntelliFlo VS 3050 High Performance Pump

Protected by U.S. Patent No., 7,572,108, 7,612,510, 7,686,587, 7,704,051, 7,751,159, D568,340, D606,562 and Patent Pending and all corresponding foreign counterparts.

IntelliFlo VS+SVRS only - Protected by U.S. Patent No., D567,189, D611,430, D618,182 and Patent Pending and all corresponding foreign counterparts.

IntelliFlo Variable Speed pumps combine variable drive technology, onboard digital intelligence, and permanent magnet motors (used in hybrid cars) to reduce pump-related energy costs by up to 90%. The new IntelliFlo VS+SVRS model is the first swimming pool pump to feature a built-in Safety Vacuum Release System that detects drain blockage and automatically shuts the pump off.

## Featured Highlights

- Ability to program exact pump speeds for specific operations – filtering, heating, cleaning, spa jets, water features and more – slashes energy costs up to 90%
- SVRS model complies with Virginia Graeme Baker Safety Act
- Built-in diagnostics protect the IntelliFlo pump from the most common causes of premature failure – overheating, freezing, and voltage irregularities (SVRS model includes priming protection as well)
- No SVRS calibrations needed. Built-in SVRS cannot be turned off.
- Safety lock-out feature (password protected) on SVRS model prevents pump speed settings from being changed by unauthorized personnel
- Ability to set minimum and maximum speeds on SVRS model so IntelliFlo will only operate within the ranges set to help assure safe operation and long life
- Compatible with IntelliTouch®, EasyTouch®, and SunTouch® pool control systems
- NSF Certified, UL and ETL Listed as an ASME A112.19.17.2002 Device

## Ordering Information

| Product   | Model  | Voltage | Full Load Amps | kW  | HP | SF   | SFHP | Primary Listings and Certifications <sup>5</sup>                                | Port Size (NPT) | Carton Wt. (Lbs.) |
|---|--|---------|----------------|-----|----|------|------|---|-----------------|-------------------|
| <b>ULTRA ENERGY EFFICIENT VARIABLE SPEED (NON-SVRS MODEL)</b>                 |  |         |                |     |    |      |      |   |                 |                   |
| 011013  | IntelliFlo VS-3050   | 230     | 16             | 3.2 | 3  | 1.32 | 3.95 | UL <sup>1</sup> , NSF <sup>2</sup> , CSA <sup>3</sup>                           | 2 in. x 2 in.   | 47                |
| <b>ULTRA ENERGY EFFICIENT VARIABLE SPEED WITH SAFETY VACUUM RELIEF SYSTEM</b> |  |         |                |     |    |      |      |   |                 |                   |
| 011017  | IntelliFlo VS+SVRS   | 230     | 16             | 3.2 | 3  | 1.32 | 3.95 | UL <sup>1</sup> , NSF <sup>2</sup> , CSA <sup>3</sup> , ASME <sup>4</sup> , ETL | 2 in. x 2 in.   | 47                |
| <b>ACCESSORIES</b>  |  |         |                |     |    |      |      |   |                 |                   |
| 520641  | IntelliCom 4 - Rated 15 - 240 VAC 15-100 VDC With 4 Inputs                               |         |                |     |    |      |      |   |                 | 8                 |
| 521109  | IntelliCom 2 - Rated 9 - 30 V DC WITH 4 Inputs   |         |                |     |    |      |      |   |                 | 1                 |
| 350122  | Communication Cable - 50 ft. - Included with IntelliFlo VS 3050 and IntelliFlo VS + SVRS |         |                |     |    |      |      |   |                 | 2                 |
| 350250Z   | SVRS KIT - Allows use of discharge checks with SVRS pump                                 |         |                |     |    |      |      |   |                 | 1                 |
| <b>UNIONS</b>   |  |         |                |     |    |      |      |   |                 |                   |
| 11201-0154  | 2 in. x 2 in. Union (2 in. NPT male x 2 in. female NPT quick connect)                    |         |                |     |    |      |      | * Note: two required per pump (sold individually)                               |                 | 2                 |

<sup>1</sup> 'UL' indicates that pump bears a UL mark signifying evaluation to U.S. Standards ULI081 for Permanently Connected Swimming Pool and Spa Pumps and to Canadian Standards CAN/CSA C22.2 No. 108-01 Liquid Pumps For Swimming Pools Only (Enclosure 3).

<sup>2</sup> 'NSF' indicates that pump bears a NSF mark signifying evaluation to NSF Standard 50 For Self-Priming Centrifugal Pumps For Swimming Pools Only.

<sup>3</sup> 'CSA' indicates that pump bears a CSA mark signifying evaluation to Canadian Standards CAN/CSA C22.2 No. 108-01 Liquid Pumps For Swimming Pools Only (Enclosure 3).

<sup>4</sup> 'ASME' indicates that pump bears a specific mark signifying evaluation to ASME/ANSI Standard A.112.19.17.2002 Manufactured Safety Vacuum Relief System (SVRS).

<sup>5</sup> Product may have been evaluated to other state and local regulatory standards. Listing status may change. Always confirm status with appropriate agency if in doubt.

Note: Pump must be used with current collectors when installed on spas or hot tubs in Canada.

Refer to catalog page 33 for a selection of 1-and-2-Pole GFCI breakers which offer 6 milliamp personnel protection while meeting NEC 2008 Standards for Pool Pumps.

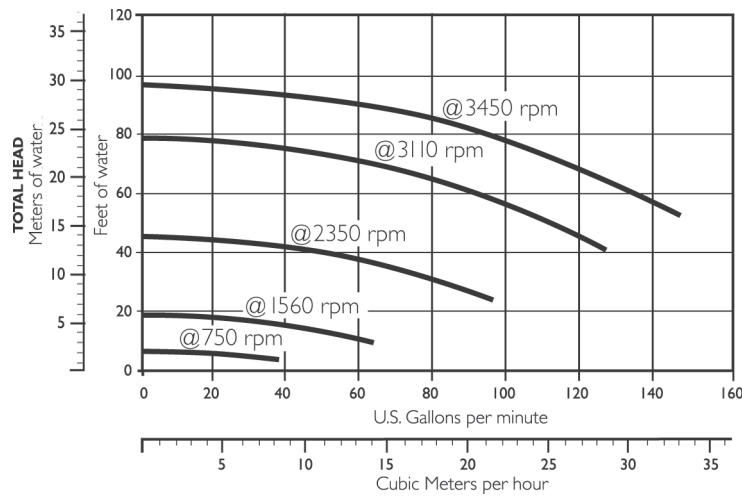
Refer to catalog page 148 for the SVRS Test Mat Kit which saves time and helps to determine if a vacuum release system is functioning properly in a pool and spa.

# IntelliFlo® VS-3050 & IntelliFlo VS+SVRS High Performance Pumps (Cont'd)



Note: This photo shows keypad for VS-3050 only.

## Dimensions and Performance\*



Refer to catalog page 33 for a selection of 1-and-2-Pole GFCI breakers which offer 6 milliamp personnel protection while meeting NEC 2008 Standards for Pool Pumps.

\* Note: For dimensions, see IntelliFlo VF.

See page 457 for replacement parts.

# WhisperFlo® High Performance Pumps

## Energy Efficient Swimming Pool Pumps



WhisperFlo High Performance Pumps

40% glass-filled thermoplastic with the Cam & Ramp™ “see thru” lid design. Self-priming, high flow with patented Funnel-Flo™ diffusers. 2 in. suction and discharge ports. Motor features threaded shaft and durable commercial duty 56 frame motor with NEMA square flange.

### Featured Highlights

- Oversized strainer basket and volute – industry standard in pool pumps
- Standard and Energy-efficient Square Flange Motors available
- Lower HP's deliver higher performance than industry standard
- Compatible with all cleaning systems, various filters and jet action spas
- Heavy-duty/durable construction is designed for long life
- Designed for residential and commercial applications
- New motor increases life, energy, efficiency, ease of installation and better cooling for long service life

### Ordering Information

| Product  | Model  | Voltage     | Full Load Amps | HP    | SF   | SFHP | Primary Listings and Certifications <sup>3</sup> | Port Size (NPT) | Carton Wt. (Lbs.) | Curve Key |
|--|--------|-------------|----------------|-------|------|------|--|-----------------|-------------------|-----------|
| <b>ENERGY EFFICIENT SINGLE SPEED FULL RATED</b>          |        |             |                |       |      |      |  |                 |                   |           |
| 011511   | WFE-2  | 115/208-230 | 8.8/4.5-4.4    | 1/2   | 1.90 | 0.95 | UL <sup>1</sup> , NSF <sup>2</sup>               | 2 in. x 2 in.   | 41                | E         |
| 011512   | WFE-3  | 115/208-230 | 11.2/6.0-5.6   | 3/4   | 1.67 | 1.25 | UL <sup>1</sup> , NSF <sup>2</sup>               | 2 in. x 2 in.   | 41                | F         |
| 011513   | WFE-4  | 115/208-230 | 14.8/7.8-7.4   | 1     | 1.65 | 1.65 | UL <sup>1</sup> , NSF <sup>2</sup>               | 2 in. x 2 in.   | 46                | G         |
| 011514   | WFE-6  | 208-230     | 9.6-8.8        | 1-1/2 | 1.47 | 2.20 | UL <sup>1</sup> , NSF <sup>2</sup>               | 2 in. x 2 in.   | 54                | H         |
| 011515   | WFE-8  | 208-230     | 11.0-10.2      | 2     | 1.30 | 2.60 | UL <sup>1</sup> , NSF <sup>2</sup>               | 2 in. x 2 in.   | 55                | I         |
| 011516   | WFE-12 | 208-230     | 15.0-13.6      | 3     | 1.15 | 3.45 | UL <sup>1</sup> , NSF <sup>2</sup>               | 2 in. x 2 in.   | 56                | J         |
| <b>ENERGY EFFICIENT SINGLE SPEED UP RATED</b>            |        |             |                |       |      |      |  |                 |                   |           |
| 011517   | WFE-24 | 115/208-230 | 11.2/6.0-5.6   | 1     | 1.25 | 1.25 | UL <sup>1</sup> , NSF <sup>2</sup>               | 2 in. x 2 in.   | 41                | F         |
| 011518   | WFE-26 | 115/208-230 | 14.8/7.8-7.4   | 1-1/2 | 1.10 | 1.65 | UL <sup>1</sup> , NSF <sup>2</sup>               | 2 in. x 2 in.   | 46                | G         |
| 011519   | WFE-28 | 208-230     | 9.6-8.8        | 2     | 1.10 | 2.20 | UL <sup>1</sup> , NSF <sup>2</sup>               | 2 in. x 2 in.   | 54                | H         |
| 011520   | WFE-30 | 208-230     | 11.0-10.2      | 2-1/2 | 1.04 | 2.60 | UL <sup>1</sup> , NSF <sup>2</sup>               | 2 in. x 2 in.   | 55                | I         |
| <b>STANDARD EFFICIENCY SINGLE SPEED FULL RATED</b>       |        |             |                |       |      |      |  |                 |                   |           |
| 011578   | WF-2   | 115/230     | 10.8/5.4       | 1/2   | 1.95 | 0.95 | UL <sup>1</sup> , NSF <sup>2</sup>               | 2 in. x 2 in.   | 41                | E         |
| 011579   | WF-3   | 115/230     | 14.2/7.1       | 3/4   | 1.67 | 1.25 | UL <sup>1</sup> , NSF <sup>2</sup>               | 2 in. x 2 in.   | 41                | F         |
| 011580   | WF-4   | 115/230     | 16.0/8.0       | 1     | 1.65 | 1.65 | UL <sup>1</sup> , NSF <sup>2</sup>               | 2 in. x 2 in.   | 46                | G         |
| 011581   | WF-6   | 115/230     | 22.4/11.2      | 1-1/2 | 1.50 | 2.25 | UL <sup>1</sup> , NSF <sup>2</sup>               | 2 in. x 2 in.   | 54                | H         |
| 011582   | WF-8   | 230         | 11.5           | 2     | 1.30 | 2.60 | UL <sup>1</sup> , NSF <sup>2</sup>               | 2 in. x 2 in.   | 55                | I         |
| 011583   | WF-12  | 230         | 14.1           | 3     | 1.15 | 3.45 | UL <sup>1</sup> , NSF <sup>2</sup>               | 2 in. x 2 in.   | 56                | J         |
| <b>STANDARD EFFICIENCY SINGLE SPEED UP RATED</b>         |        |             |                |       |      |      |  |                 |                   |           |
| 011771   | WF-23  | 115/230     | 10.8/5.4       | 3/4   | 1.24 | 0.93 | UL <sup>1</sup> , NSF <sup>2</sup>               | 2 in. x 2 in.   | 41                | E         |
| 011772   | WF-24  | 115/230     | 14.2/7.1       | 1     | 1.24 | 1.24 | UL <sup>1</sup> , NSF <sup>2</sup>               | 2 in. x 2 in.   | 41                | F         |
| 011773   | WF-26  | 115/230     | 16.0/8.0       | 1-1/2 | 1.10 | 1.65 | UL <sup>1</sup> , NSF <sup>2</sup>               | 2 in. x 2 in.   | 46                | G         |
| 011774   | WF-28  | 115/230     | 22.4/11.2      | 2     | 1.10 | 2.20 | UL <sup>1</sup> , NSF <sup>2</sup>               | 2 in. x 2 in.   | 54                | H         |
| 011775   | WF-30  | 230         | 11.5           | 2-1/2 | 1.04 | 2.60 | UL <sup>1</sup> , NSF <sup>2</sup>               | 2 in. x 2 in.   | 55                | I         |
| <b>ENERGY EFFICIENT SINGLE SPEED FULL RATED- 3 PHASE</b> |        |             |                |       |      |      |  |                 |                   |           |
| 340061   | WFK-2  | 208-230/460 | 3.2-3.0/1.5    | 1/2   | 1.90 | 0.95 | NSF <sup>2</sup>                                 | 2 in. x 2 in.   | 39                | E         |
| 011021   | WFK-3  | 208-230/460 | 3.8-3.6/1.8    | 3/4   | 1.65 | 1.25 | NSF <sup>2</sup>                                 | 2 in. x 2 in.   | 42                | F         |
| 011568   | WFK-4  | 208-230/460 | 5.0-4.6/2.3    | 1     | 1.65 | 1.65 | NSF <sup>2</sup>                                 | 2 in. x 2 in.   | 46                | G         |
| 011569   | WFK-6  | 208-230/460 | 6.4-5.8/2.9    | 1-1/2 | 1.47 | 2.20 | NSF <sup>2</sup>                                 | 2 in. x 2 in.   | 54                | H         |
| 011570   | WFK-8  | 208-230/460 | 7.1-6.8/3.4    | 2     | 1.30 | 2.60 | NSF <sup>2</sup>                                 | 2 in. x 2 in.   | 56                | I         |
| 011571   | WFK-12 | 208-230/460 | 11.0-10.4/5.2  | 3     | 1.15 | 3.45 | NSF <sup>2</sup>                                 | 2 in. x 2 in.   | 58                | J         |

# WhisperFlo® High Performance Pumps (Cont'd)

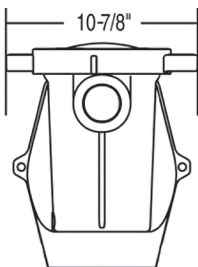
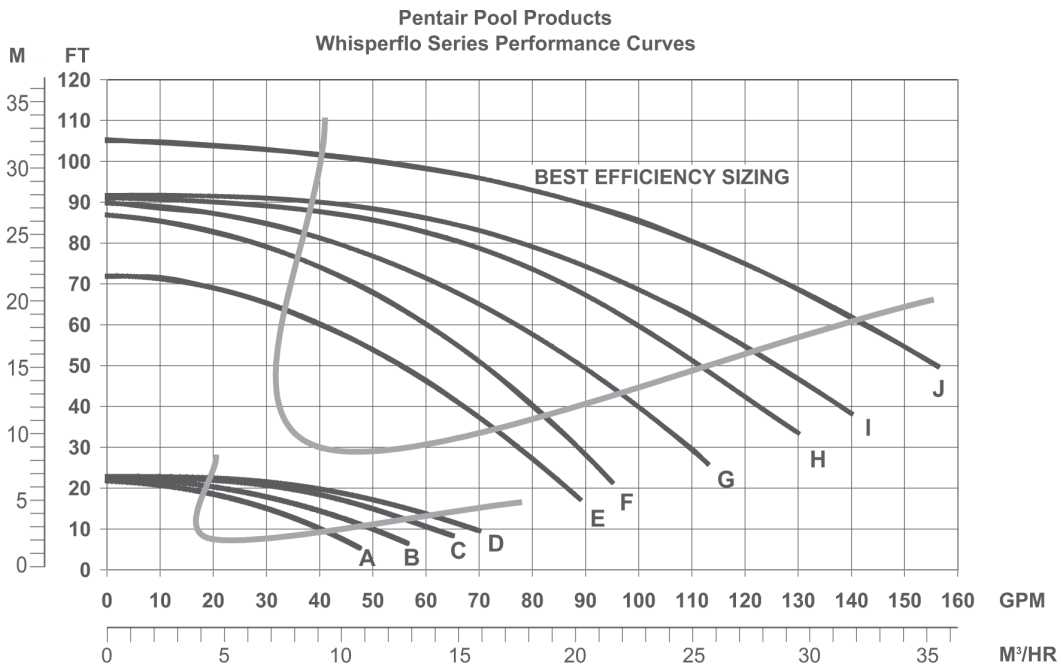
| Product   | Model   | Voltage | Full Load Amps | HP    | SF   | SFHP | Primary Listings and Certifications <sup>3</sup> | Port Size (NPT) | Carton Wt. (Lbs.) | Curve Key |
|---|---|---------|----------------|-------|------|------|--|-----------------|-------------------|-----------|
| <b>ENERGY EFFICIENT TWO SPEED 3450 RPM, LOW SPEED 1725 RPM FULL RATED</b> |   |         |                |       |      |      |  |                 |                   |           |
| 012530  | WFDS-3  | 115     | 14.6/4.7       | 3/4   | 1.67 | 1.25 | UL <sup>1</sup> , NSF <sup>2</sup>               | 2 in. x 2 in.   | 42                | A, F      |
| 011486  | WFDS-4  | 230     | 7.8/3.0        | 1     | 1.65 | 1.65 | UL <sup>1</sup> , NSF <sup>2</sup>               | 2 in. x 2 in.   | 47                | B, G      |
| 011522  | WFDS-6  | 230     | 10.0/3.5       | 1-1/2 | 1.47 | 2.20 | UL <sup>1</sup> , NSF <sup>2</sup>               | 2 in. x 2 in.   | 55                | C, H      |
| 011523  | WFDS-8  | 230     | 11.0/4.0       | 2     | 1.30 | 2.60 | UL <sup>1</sup> , NSF <sup>2</sup>               | 2 in. x 2 in.   | 56                | D, I      |
| <b>ENERGY EFFICIENT TWO SPEED 3450 RPM, LOW SPEED 1725 RPM UP RATED</b>   |   |         |                |       |      |      |  |                 |                   |           |
| 012485  | WFDS-24   | 115     | 14.6/4.7       | 1     | 1.25 | 1.25 | UL <sup>1</sup> , NSF <sup>2</sup>               | 2 in. x 2 in.   | 42                | A, F      |
| 012518  | WFDS-26   | 230     | 7.8/3.0        | 1-1/2 | 1.10 | 1.65 | UL <sup>1</sup> , NSF <sup>2</sup>               | 2 in. x 2 in.   | 47                | B, G      |
| 011524  | WFDS-28   | 230     | 10.0/3.5       | 2     | 1.10 | 2.20 | UL <sup>1</sup> , NSF <sup>2</sup>               | 2 in. x 2 in.   | 55                | C, H      |
| 011525  | WFDS-30   | 230     | 11.0/4.0       | 2-1/2 | 1.04 | 2.60 | UL <sup>1</sup> , NSF <sup>2</sup>               | 2 in. x 2 in.   | 56                | D, I      |
| <b>ACCESSORIES</b>  |   |         |                |       |      |      |  |                 |                   |           |
| 11201-0154  | 2 in. x 2 in. Union (2 in. NPT male x 2 in. female NPT quick connect) * Note: two required per pump (sold individually) |         |                |       |      |      |  |                 |                   |           |
| 357156  | Cover/Lid, Chemical Resistant, CAM & RAMP   |         |                |       |      |      |  |                 |                   |           |

<sup>1</sup> 'UL' indicates that pump bears a UL mark signifying evaluation to U.S. Standards ULI081 for Permanently Connected Swimming Pool and Spa Pumps and to Canadian Standards CAN/CSA C22.2 No. 108-01 Liquid Pumps For Swimming Pools Only (Enclosure 3).

<sup>2</sup> 'NSF' indicates that pump bears a NSF mark signifying evaluation to NSF Standard 50 For Self-Priming Centrifugal Pumps For Swimming Pools, Spas and Hot Tubs.

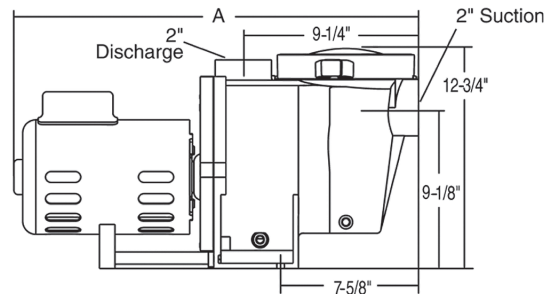
<sup>3</sup> Product may have been evaluated to other state and local regulatory standards. Listing status may change. Always confirm status with appropriate agency if in doubt.

## Dimensions and Performance



### A - varying length:

- 1/2 & 3/4 hp = 24.469"
- 1 hp = 24.72"
- 1-1/2 hp = 25.22"
- 2 & 3 hp = 25.72"



See page 458–459 for replacement parts.

# Challenger® High Flow Pumps

## Fiberglass Reinforced Swimming Pool Pump



Challenger High Flow Pump

### Featured Highlights

- See-thru Lid
- Large Strainer Basket
- User-friendly removable drain plugs
- Most diverse offering in voltage and horsepower

### Fiberglass Reinforced Pump with Closed Impeller, Single Speed

Pump components are custom molded thermoplastic for superior strength and durability. All components developed and perfected through Computer Assisted Design for maximum flow performance at minimum operating expense.

## Ordering Information

| Product  | Model           | Voltage     | Full Load Amps | HP    | SF   | SFHP | Primary Listings and Certifications <sup>4</sup>      | Port Size (NPT) | Carton Wt. (Lbs.) | Curve Key |
|--|-----------------|-------------|----------------|-------|------|------|---|-----------------|-------------------|-----------|
| <b>ENERGY EFFICIENT SINGLE SPEED FULL RATED</b>                        |                 |             |                |       |      |      |   |                 |                   |           |
| 342235   | CFII-NI-1FE     | 115/208-230 | 14.8/7.8-7.4   | 1     | 1.65 | 1.65 | UL <sup>1</sup> , NSF <sup>2</sup> , CSA <sup>3</sup> | 2 in. x 2 in.   | 48                | C         |
| 342236   | CFII-NI-1-1/2FE | 208-230     | 9.6-8.8        | 1-1/2 | 1.47 | 2.20 | UL <sup>1</sup> , NSF <sup>2</sup> , CSA <sup>3</sup> | 2 in. x 2 in.   | 49                | D         |
| 342238   | CFII-NI-2FE     | 208-230     | 11.0-10.2      | 2     | 1.30 | 2.60 | UL <sup>1</sup> , NSF <sup>2</sup> , CSA <sup>3</sup> | 2 in. x 2 in.   | 55                | E         |
| <b>STANDARD EFFICIENCY SINGLE SPEED FULL RATED</b>                     |                 |             |                |       |      |      |   |                 |                   |           |
| 342232   | CFII-NI-1/2F    | 115/230     | 10.8/5.4       | 1/2   | 1.90 | 0.95 | UL <sup>1</sup> , NSF <sup>2</sup> , CSA <sup>3</sup> | 2 in. x 2 in.   | 37                | A         |
| 342233   | CFII-NI-3/4F    | 115/230     | 14.2/7.1       | 3/4   | 1.67 | 1.25 | UL <sup>1</sup> , NSF <sup>2</sup> , CSA <sup>3</sup> | 2 in. x 2 in.   | 39                | B         |
| 342234   | CFII-NI-1F      | 115/230     | 16.0/8.0       | 1     | 1.65 | 1.65 | UL <sup>1</sup> , NSF <sup>2</sup> , CSA <sup>3</sup> | 2 in. x 2 in.   | 41                | C         |
| 342231   | CFII-NI-1.5F    | 115/230     | 22.4/11.2      | 1-1/2 | 1.50 | 2.20 | UL <sup>1</sup> , NSF <sup>2</sup>                    | 2 in. x 2 in.   | 49                | D         |
| 342248   | CFII-NI-2F      | 230         | 11.5           | 2     | 1.30 | 2.60 | UL <sup>1</sup> , NSF <sup>2</sup> , CSA <sup>3</sup> | 2 in. x 2 in.   | 55                | E         |
| <b>STANDARD EFFICIENCY SINGLE SPEED UP RATED</b>                       |                 |             |                |       |      |      |   |                 |                   |           |
| 343232   | CFII-NI-3/4A    | 115/230     | 10.8/5.4       | 3/4   | 1.25 | 0.95 | UL <sup>1</sup> , CSA <sup>3</sup>                    | 2 in. x 2 in.   | 37                | A         |
| 343233   | CFII-NI-1A      | 115/230     | 14.2/7.1       | 1     | 1.25 | 1.25 | UL <sup>1</sup> , CSA <sup>3</sup>                    | 2 in. x 2 in.   | 39                | B         |
| 343234   | CFII-NI-1-1/2A  | 115/230     | 16.0/8.0       | 1-1/2 | 1.10 | 1.65 | UL <sup>1</sup> , CSA <sup>3</sup>                    | 2 in. x 2 in.   | 41                | C         |
| 343240   | CFII-NI-2A      | 115/230     | 22.4/11.2      | 2     | 1.10 | 2.20 | UL <sup>1</sup> , CSA <sup>3</sup>                    | 2 in. x 2 in.   | 49                | D         |
| 343229   | CFII-NI-2-1/2A  | 230         | 11.5           | 2-1/2 | 1.04 | 2.60 | UL <sup>1</sup>                                       | 2 in. x 2 in.   | 55                | E         |
| <b>5 HP HIGH FLOW PUMPS WITH LARGE STRAINER POT WITH 3 IN. SUCTION</b> |                 |             |                |       |      |      |   |                 |                   |           |
| 345210   | CFII-NI-5FE     | 208-230     | 21.0-19.4      | 5     | 1.00 | 5.00 | UL <sup>1</sup> , NSF <sup>2</sup>                    | 3 in. x 2 in.   | 70                | F         |
| 345300   | CFII-NI-5FE 3PH | 208-230/460 | 13.4-13.4/6.7  | 5     | 1.00 | 5.00 | NSF <sup>2</sup>                                      | 3 in. x 2 in.   | 70                | F         |

<sup>1</sup> 'UL' indicates that pump bears a specific UL mark signifying evaluation to U.S. Standards UL1081 for Permanently Connected Swimming Pool and Spa Pumps and to Canadian Standards CAN/CSA C22.2 No. 108-01 Liquid Pumps For Swimming Pools And Spas. (Enclosure 3).

<sup>2</sup> 'NSF' indicates that pump bears a NSF mark signifying evaluation to NSF Standard 50 For Self-Priming Centrifugal Pumps For Swimming Pools, Spas and Hot Tubs.

<sup>3</sup> 'CSA' indicates that pump bears a CSA mark signifying evaluation to Canadian Standards CAN/CSA C22.2 No. 108-01 Liquid Pumps For Swimming Pools And Spas. (Enclosure 3).

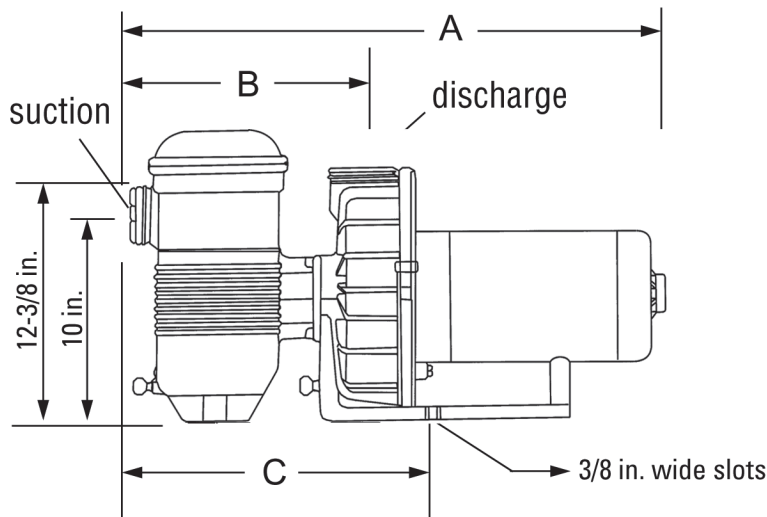
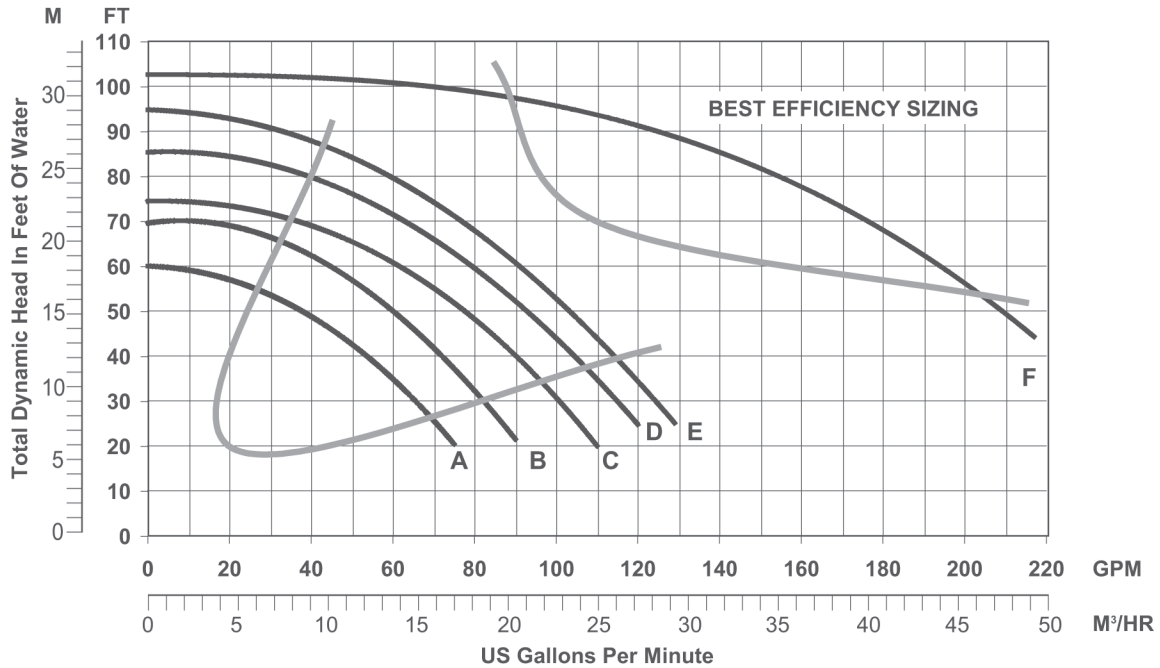
<sup>4</sup> Product may have been evaluated to other state and local regulatory standards. Listing status may change. Always confirm status with appropriate agency if in doubt.



# Challenger® High Flow Pumps (Cont'd)

## Dimensions and Performance

Pentair Pool Products  
Challenger High Flow Series Performance Curves



Dimension A varies from 23 in. for 1/2 hp models to 30-7/8 in. for 5 hp models.

Dimension B = 9-5/8 in. for all models, except 5 hp = 13 in.

Dimension C = 14-1/4 in. for all models, except 5 hp = 17-3/16 in.

# Challenger® High Pressure Pumps

## Thermoplastic Swimming Pool Pump



Challenger High Pressure Pump

### Thermoplastic Pump with Closed Impeller, Single Speed

Pump components are custom molded thermoplastic for superior strength and durability.

### Featured Highlights

- Standard 2 in. suction and discharge ports permit maximum operating efficiency
- Extra-large strainer basket extends time between cleanings
- Transparent strainer pot lid with comfortable handle provides easy access to strainer basket
- Unique diffuser and impeller provide excellent high pressure performance for all types of demanding installations
- One-bolt stainless steel clamp removes easily to provide quick access for any required service
- Anti-spin-off impeller
- Power end can easily be removed for service or winterizing without disturbing piping or pump support base
- No tool required for removing thumbscrew drain plugs for draining and winterizing
- Internal components and 2 in. ports are designed to provide rapid priming and quiet operation

### Ordering Information

| Product  | Model           | Voltage     | Full Load Amps | HP    | SF   | SFHP | Primary Listings and Certifications <sup>4</sup>      | Port Size (NPT) | Carton Wt. (Lbs.) | Curve Key |
|--|-----------------|-------------|----------------|-------|------|------|---|-----------------|-------------------|-----------|
| <b>ENERGY EFFICIENT SINGLE SPEED FULL RATED</b>    |                 |             |                |       |      |      |   |                 |                   |           |
| 345212   | CHII-NI-1/2FE   | 115/208-230 | 8.8/4.5-4.4    | 1/2   | 1.90 | 0.95 | UL <sup>1</sup> , NSF <sup>2</sup>                    | 2 in. x 2 in.   | 41                | G         |
| 345213   | CHII-NI-3/4FE   | 115/208-230 | 11.2/6.0-5.6   | 3/4   | 1.67 | 1.25 | UL <sup>1</sup> , NSF <sup>2</sup> , CSA <sup>3</sup> | 2 in. x 2 in.   | 43                | H         |
| 345205   | CHII-NI-1FE     | 115/208-230 | 14.8/7.8-7.4   | 1     | 1.65 | 1.65 | UL <sup>1</sup> , NSF <sup>2</sup>                    | 2 in. x 2 in.   | 46                | I         |
| 345206   | CHII-NI-1-1/2FE | 208-230     | 9.6-8.8        | 1-1/2 | 1.47 | 2.20 | UL <sup>1</sup> , NSF <sup>2</sup>                    | 2 in. x 2 in.   | 54                | J         |
| 345208   | CHII-NI-2FE     | 208-230     | 11.0-10.2      | 2     | 1.30 | 2.60 | UL <sup>1</sup> , NSF <sup>2</sup>                    | 2 in. x 2 in.   | 55                | K         |
| 345209   | CHII-NI-3FE     | 208-230     | 15.0-13.6      | 3     | 1.15 | 3.45 | UL <sup>1</sup> , NSF <sup>2</sup>                    | 2 in. x 2 in.   | 56                | L         |
| <b>ENERGY EFFICIENT SINGLE SPEED UP RATED</b>      |                 |             |                |       |      |      |   |                 |                   |           |
| 346209   | CHII NI 2-1/2AE | 208-230     | 11.0-10.2      | 2-1/2 | 1.04 | 2.60 | UL <sup>1</sup>                                       | 2 in. x 2 in.   | 55                | K         |
| <b>STANDARD EFFICIENCY SINGLE SPEED FULL RATED</b> |                 |             |                |       |      |      |   |                 |                   |           |
| 345202   | CHII-NI-1/2F    | 115/230     | 10.8/5.4       | 1/2   | 1.90 | 0.95 | UL <sup>1</sup> , NSF <sup>2</sup> , CSA <sup>3</sup> | 2 in. x 2 in.   | 41                | G         |
| 345203   | CHII-NI-3/4F    | 115/230     | 14.2/7.1       | 3/4   | 1.67 | 1.25 | UL <sup>1</sup> , NSF <sup>2</sup> , CSA <sup>3</sup> | 2 in. x 2 in.   | 41                | H         |
| 345204   | CHII-NI-1F      | 115/230     | 16.0/8.0       | 1     | 1.65 | 1.65 | UL <sup>1</sup> , NSF <sup>2</sup> , CSA <sup>3</sup> | 2 in. x 2 in.   | 41                | I         |
| 345201   | CHII-NI-1-1/2F  | 115/230     | 22.4/11.2      | 1-1/2 | 1.50 | 2.25 | UL <sup>1</sup> , NSF <sup>2</sup>                    | 2 in. x 2 in.   | 49                | J         |
| 345218   | CHII-NI-2F      | 230         | 11.5           | 2     | 1.30 | 2.60 | UL <sup>1</sup> , NSF <sup>2</sup> , CSA <sup>3</sup> | 2 in. x 2 in.   | 55                | K         |
| 345219   | CHII-NI-3F      | 230         | 14.1           | 3     | 1.15 | 3.45 | UL <sup>1</sup> , NSF <sup>2</sup>                    | 2 in. x 2 in.   | 56                | L         |
| <b>STANDARD EFFICIENCY SINGLE SPEED UP RATED</b>   |                 |             |                |       |      |      |   |                 |                   |           |
| 346203   | CHII-NI-3/4A    | 115/230     | 10.8/5.4       | 3/4   | 1.25 | 0.94 | UL <sup>1</sup> , CSA <sup>3</sup>                    | 2 in. x 2 in.   | 41                | G         |
| 346204   | CHII-NI-1A      | 115/230     | 14.2/7.1       | 1     | 1.25 | 1.25 | UL <sup>1</sup> , CSA <sup>3</sup>                    | 2 in. x 2 in.   | 41                | H         |
| 346206   | CHII-NI-1-1/2A  | 115/230     | 16.0/8.0       | 1-1/2 | 1.10 | 1.65 | UL <sup>1</sup> , CSA <sup>3</sup>                    | 2 in. x 2 in.   | 41                | I         |
| 346201   | CHII-NI-2A      | 115/230     | 22.4/11.2      | 2     | 1.10 | 2.20 | UL <sup>1</sup> , CSA <sup>3</sup>                    | 2 in. x 2 in.   | 49                | J         |
| 346249   | CHII-NI-2-1/2A  | 230         | 11.5           | 2-1/2 | 1.04 | 2.60 | UL <sup>1</sup>                                       | 2 in. x 2 in.   | 55                | K         |

<sup>1</sup> 'UL' indicates that pump bears a specific UL mark signifying evaluation to U.S. Standards ULI081 for Permanently Connected Swimming Pool and Spa Pumps and to Canadian Standards CAN/CSA C22.2 No. 108-01 Liquid Pumps For Swimming Pools And Spas. (Enclosure 3).

<sup>2</sup> 'NSF' indicates that pump bears a NSF mark signifying evaluation to NSF Standard 50 For Self-Priming Centrifugal Pumps For Swimming Pools, Spas and Hot Tubs.

<sup>3</sup> 'CSA' indicates that pump bears a CSA mark signifying evaluation to Canadian Standards CAN/CSA C22.2 No. 108-01 Liquid Pumps For Swimming Pools And Spas. (Enclosure 3).

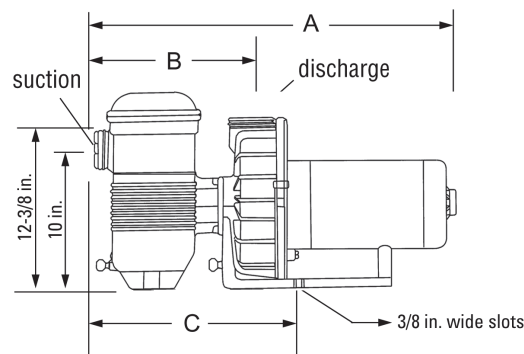
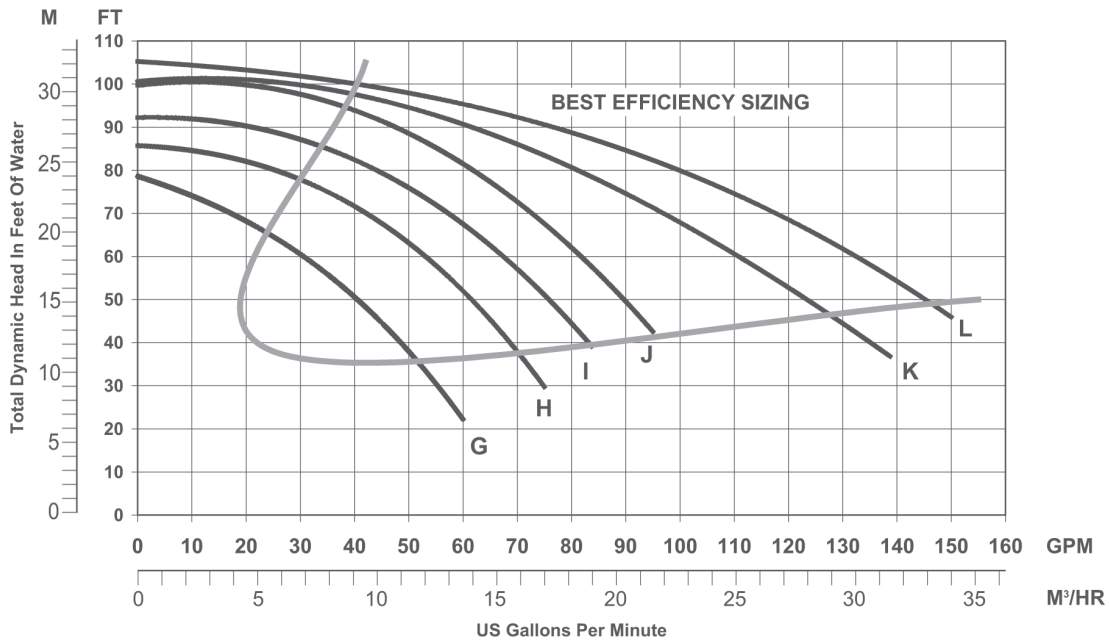
<sup>4</sup> Product may have been evaluated to other state and local regulatory standards. Listing status may change. Always confirm status with appropriate agency if in doubt.

# Challenger® High Pressure Pumps (Cont'd)

| Product   | Model   | Voltage     | Full Load Amps | HP    | SF   | SFHP | Primary Listings and Certifications <sup>4</sup> | Port Size (NPT) | Carton Wt. (Lbs.) | Curve Key |
|---|---|-------------|----------------|-------|------|------|--|-----------------|-------------------|-----------|
| <b>ENERGY EFFICIENT SINGLE SPEED FULL RATED - 3 PHASE</b> |   |             |                |       |      |      |  |                 |                   |           |
| 345290  | CHII-NI-3/4FE 3PH   | 208-230/460 | 3.8-3.6/1.8    | 3/4   | 1.65 | 1.23 | NSF <sup>2</sup>                                 | 2 in. x 2 in.   | 43                | H         |
| 345284  | CHII-NI-1FE 3PH   | 208-230/460 | 5.0-4.6/2.3    | 1     | 1.65 | 1.65 | NSF <sup>2</sup>                                 | 2 in. x 2 in.   | 48                | I         |
| 345286  | CHII-NI-1-1/2FE 3PH   | 208-230/460 | 6.4-5.8/2.9    | 1-1/2 | 1.47 | 2.20 | NSF <sup>2</sup>                                 | 2 in. x 2 in.   | 49                | J         |
| 345288  | CHII-NI-2FE 3PH   | 208-230/460 | 7.1-6.8/3.4    | 2     | 1.30 | 2.60 | NSF <sup>2</sup>                                 | 2 in. x 2 in.   | 55                | K         |
| 345299  | CHII-NI-3FE 3PH   | 208-230/460 | 11.0-10.4/5.2  | 3     | 1.15 | 3.45 | NSF <sup>2</sup>                                 | 2 in. x 2 in.   | 55                | L         |
| <b>ACCESSORIES</b>  |   |             |                |       |      |      |  |                 |                   |           |
| 354112  | Chemical Resistant Lid  |             |                |       |      |      |  |                 |                   | 1         |
| <b>UNIONS</b>   |   |             |                |       |      |      |  |                 |                   |           |
| 11201-0154  | 2 in. x 2 in. Union (2 in. NPT male x 2 in. female NPT quick connect) * Note: two required per pump (sold individually) |             |                |       |      |      |  |                 |                   |           |

## Dimensions and Performance

Pentair Pool Products  
Challenger High Head Series Performance Curves

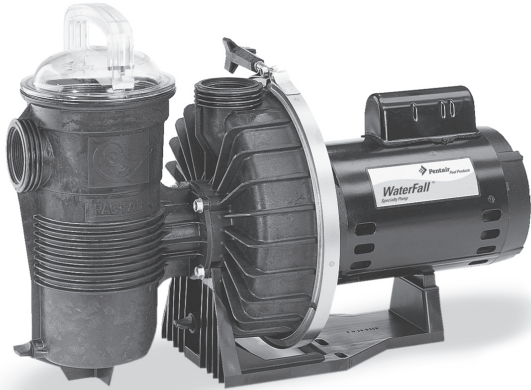


Dimension A varies from 23 in. for 1/2 hp models to 30-7/8 in. for 5 hp models.  
 Dimension B = 9-5/8 in. for all models, except 5 hp = 13 in.  
 Dimension C = 14-1/4 in. for all models, except 5 hp = 17-3/16 in.

See page 462–463 for replacement parts.

# WaterFall™ Specialty Pumps

## AFP 75-180



WaterFall Specialty Pump

### With Closed Impeller, Single-Speed

Custom designed for the specific demands of water features such as fountains, waterfalls, and other special pool features.

### Featured Highlights

- Designed for low head applications that require 35–180 GPM's
- Durable custom molded components
- 60% quieter, 60% less energy use than standard pool pump
- Pump components are custom molded of thermoplastic for superior strength, durability, and quiet operation
- Standard 2 in. suction and discharge ports (3 in. suction and 2 in. discharge on AFP-180 model) permit maximum operating efficiency
- Extra-large strainer basket extends time between cleanings
- Transparent strainer pot lid with comfortable handle provides easy access to strainer basket

### Ordering Information

| Product   | Model   | Voltage | Full Load Amps | Primary Listings and Certifications <sup>2</sup> | Port Size (NPT) | Carton Wt. (Lbs.) | Curve Key |
|---|---------|---------|----------------|--|-----------------|-------------------|-----------|
| <b>ENERGY EFFICIENT SINGLE SPEED WITH STRAINER</b>    |         |         |                |  |                 |                   |           |
| 340350  | AFP-75  | 115/230 | 9.6/4.8        | UL <sup>1,2</sup>                                | 2 in. x 2 in.   | 40                | A         |
| 340351  | AFP-120 | 115/230 | 9.6/4.8        | UL <sup>1,2</sup>                                | 2 in. x 2 in.   | 40                | B         |
| 340352  | AFP-150 | 115/230 | 12.0/6.0       | UL <sup>1,2</sup>                                | 2 in. x 2 in.   | 43                | D         |
| 340353  | AFP-180 | 115/230 | 12.0/6.0       | UL <sup>1,2</sup>                                | 3 in. x 2 in.   | 46                | E         |
| <b>ENERGY EFFICIENT SINGLE SPEED WITHOUT STRAINER</b> |         |         |                |  |                 |                   |           |
| 340300 <sup>3</sup>                                   | AF-753  | 115/230 | 9.6/4.8        | UL <sup>1,2</sup>                                | 2 in. x 2 in.   | 37                | A         |
| 340301 <sup>3</sup>                                   | AF-1203 | 115/230 | 9.6/4.8        | UL <sup>1,2</sup>                                | 2 in. x 2 in.   | 37                | C         |
| 340302 <sup>3</sup>                                   | AF-1803 | 115/230 | 12.0/6.0       | UL <sup>1,2</sup>                                | 2 in. x 2 in.   | 40                | F         |

<sup>1</sup> 'UL' indicates that pump bears a specific UL mark signifying evaluation to U.S. Standards UL1081 for Permanently Connected Swimming Pool and Spa Pumps and to Canadian Standards CAN/CSA C22.2 No. 108-01 Liquid Pumps For Swimming Pools And Spas. (Enclosure 3).

<sup>2</sup> Product may have been evaluated to other state and local regulatory standards. Listing status may change. Always confirm status with appropriate agency if in doubt.

<sup>3</sup> Flooded suction models do not contain priming/strainer pot.



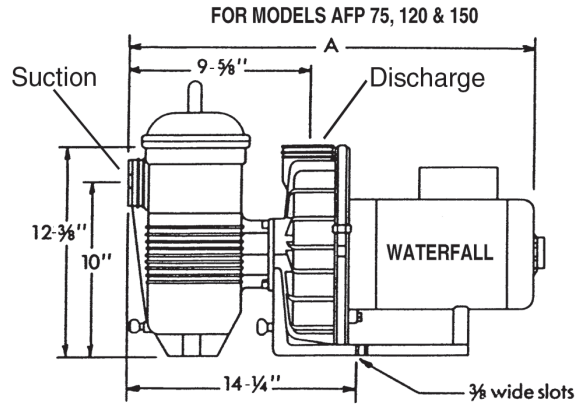
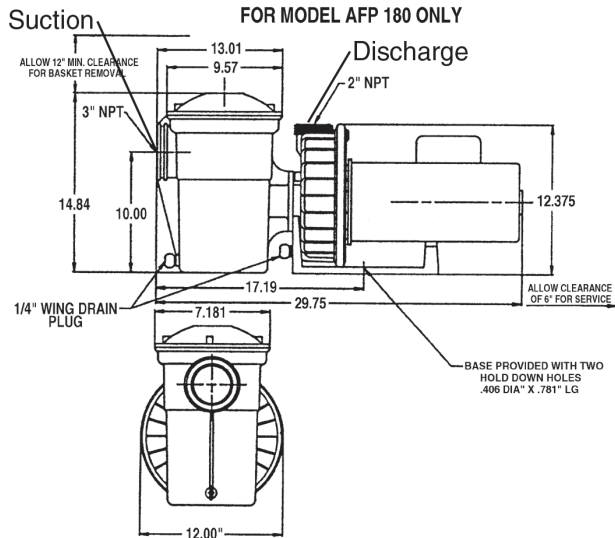
WaterFall Pump w/o Strainer  
AF-75, 120, 180



WaterFall Pump w/Strainer  
AFP-180

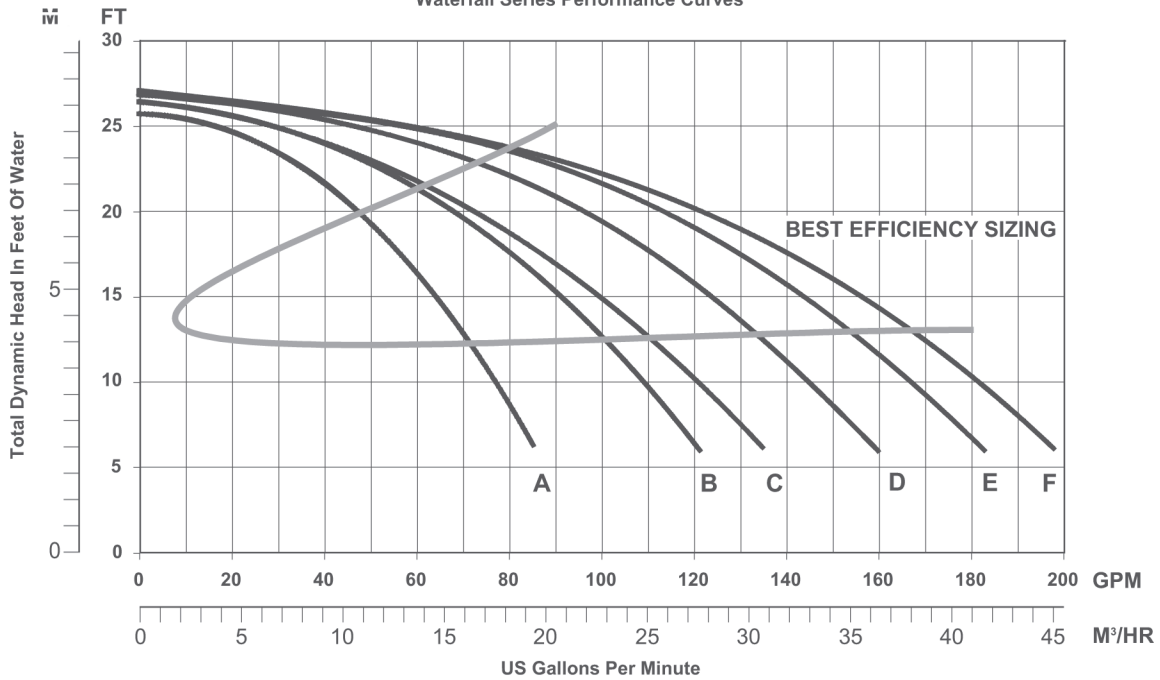
# WaterFall™ Specialty Pumps (Cont'd)

## Dimensions and Performance



"A" dimension varies from 23" to 24" depending upon model.  
Suction and discharge connections are 2" NPT.

Pentair Pool Products  
Waterfall Series Performance Curves



# SuperFlo® Pumps



SuperFlo Pump  
Protected by US Patent D517,570

## Featured Highlights

- SuperFlo by Pentair Pool Products® is a direct replacement for the Hayward® Super Pump® \*
- Extremely quiet operation
- Unionized fittings (1-1/2 in. internal slip and 2 in. external slip)
- Cam and Ramp™ Lid
- Heavy-duty, high service factor 56 square flange motor
- Integral volute and pot reduce hydraulic noise

The SuperFlo® pumps are specifically designed to be the best choice for a variety of inground pools. The SuperFlo features thick walled body parts, a heavy-duty 56 square flange motor, and highly engineered hydraulics. SuperFlo's silent running capability and small footprint allow it to easily drop into a compact equipment pad.

## Ordering Information

| Product  | Model   | Voltage     | Full Load Amps | HP    | SF   | SFHP | Primary Listings and Certifications <sup>3</sup> | Port Size (NPT)   | Carton Wt. (Lbs.) | Curve Key |
|--|---|-------------|----------------|-------|------|------|--|-------------------|-------------------|-----------|
| <b>ENERGY EFFICIENT SINGLE SPEED</b>                           |   |             |                |       |      |      |  |                   |                   |           |
| 348021   | SF-NI-1/2FE   | 115/208-230 | 8.8/4.5-4.4    | 1/2   | 1.90 | 0.95 | UL <sup>1</sup>                                  | 1.5 in. x 1.5 in. | 38                | E         |
| 348022   | SF-NI-3/4FE   | 115/208-230 | 8.8/4.5-4.4    | 3/4   | 1.25 | 0.93 | UL <sup>1</sup>                                  | 1.5 in. x 1.5 in. | 38                | F         |
| 348023   | SF-NI-1AE   | 115/208-230 | 11.2/6.0-5.6   | 1     | 1.25 | 1.25 | UL <sup>1</sup>                                  | 1.5 in. x 1.5 in. | 38                | G         |
| 348024   | SF-NI-1-1/2AE   | 115/208-230 | 14.8/7.8-7.4   | 1-1/2 | 1.10 | 1.65 | UL <sup>1</sup>                                  | 1.5 in. x 1.5 in. | 40                | H         |
| 348025   | SF-NI-2AE   | 208-230     | 9.6-8.8        | 2     | 1.10 | 2.20 | UL <sup>1</sup>                                  | 1.5 in. x 1.5 in. | 48                | I         |
| 348026   | SF-NI-2-1/2AE   | 208-230     | 11.0-10.2      | 2-1/2 | 1.04 | 2.60 | UL <sup>1</sup>                                  | 1.5 in. x 1.5 in. | 54                | J         |
| <b>STANDARD EFFICIENCY SINGLE SPEED</b>                        |   |             |                |       |      |      |  |                   |                   |           |
| 340036   | SF-NI-1/2F  | 115/230     | 10.8/5.4       | 1/2   | 1.95 | 0.95 | UL <sup>1</sup> , NSF <sup>2</sup>               | 1.5 in. x 1.5 in. | 38                | E         |
| 340037   | SF-NI-3/4A  | 115/230     | 10.8/5.4       | 3/4   | 1.25 | 0.93 | UL <sup>1</sup> , NSF <sup>2</sup>               | 1.5 in. x 1.5 in. | 38                | F         |
| 340038   | SF-NI-1A  | 115/230     | 14.2/7.1       | 1     | 1.25 | 1.25 | UL <sup>1</sup> , NSF <sup>2</sup>               | 1.5 in. x 1.5 in. | 38                | G         |
| 340039   | SF-NI-1-1/2A  | 115/230     | 16.0/8.0       | 1.5   | 1.10 | 1.65 | UL <sup>1</sup> , NSF <sup>2</sup>               | 1.5 in. x 1.5 in. | 40                | H         |
| 340040   | SF-NI-2A  | 115/230     | 22.4/11.2      | 2     | 1.10 | 2.20 | UL <sup>1</sup> , NSF <sup>2</sup>               | 1.5 in. x 1.5 in. | 48                | I         |
| 340041   | SF-NI-2-1/2A  | 230         | 11.5           | 2-1/2 | 1.04 | 2.60 | UL <sup>1</sup> , NSF <sup>2</sup>               | 1.5 in. x 1.5 in. | 54                | J         |
| <b>ENERGY EFFICIENT TWO SPEED 3450 RPM, LOW SPEED 1725 RPM</b> |   |             |                |       |      |      |  |                   |                   |           |
| 341111   | SF-N2-3/4A  | 115         | 14.6/4.7       | 3/4   | 1.67 | 1.25 | UL <sup>1</sup> , NSF <sup>2</sup>               | 1.5 in. x 1.5 in. | 39                | A, F      |
| 340042   | SF-N2-1A  | 230         | 6.0/2.3        | 1     | 1.25 | 1.25 | UL <sup>1</sup> , NSF <sup>2</sup>               | 1.5 in. x 1.5 in. | 39                | B, G      |
| 340043   | SF-N2-1-1/2A  | 230         | 7.8/3.0        | 1-1/2 | 1.10 | 1.65 | UL <sup>1</sup> , NSF <sup>2</sup>               | 1.5 in. x 1.5 in. | 41                | C, H      |
| 340044   | SF-N2-2A  | 230         | 10.0/3.5       | 2     | 1.10 | 2.20 | UL <sup>1</sup> , NSF <sup>2</sup>               | 1.5 in. x 1.5 in. | 49                | D, I      |
| <b>ACCESSORIES</b>   |   |             |                |       |      |      |  |                   |                   |           |
| 350157   | Union Kit – 1-1/2 in. Internal Slip x 2 in. External Slip (includes 2 unions as pictured above) |             |                |       |      |      |  |                   |                   |           |

<sup>1</sup> 'UL' indicates that pump bears a UL mark signifying evaluation to U.S. Standards ULI081 for Permanently Connected Swimming Pool and Spa Pumps and to Canadian Standards CAN/CSA C22.2 No. 108-01 Liquid Pumps For Swimming Pools Only (Enclosure 3).

<sup>2</sup> 'NSF' indicates that pump bears a NSF mark signifying evaluation to NSF Standard 50 For Self-Priming Centrifugal Pumps For Swimming Pools Only.

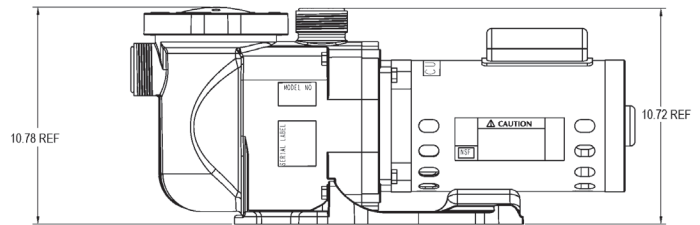
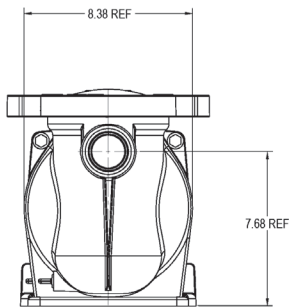
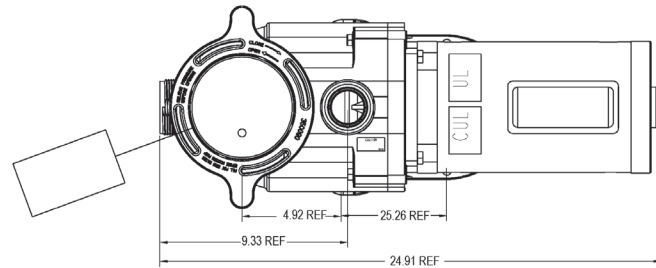
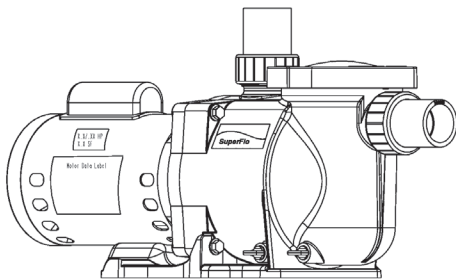
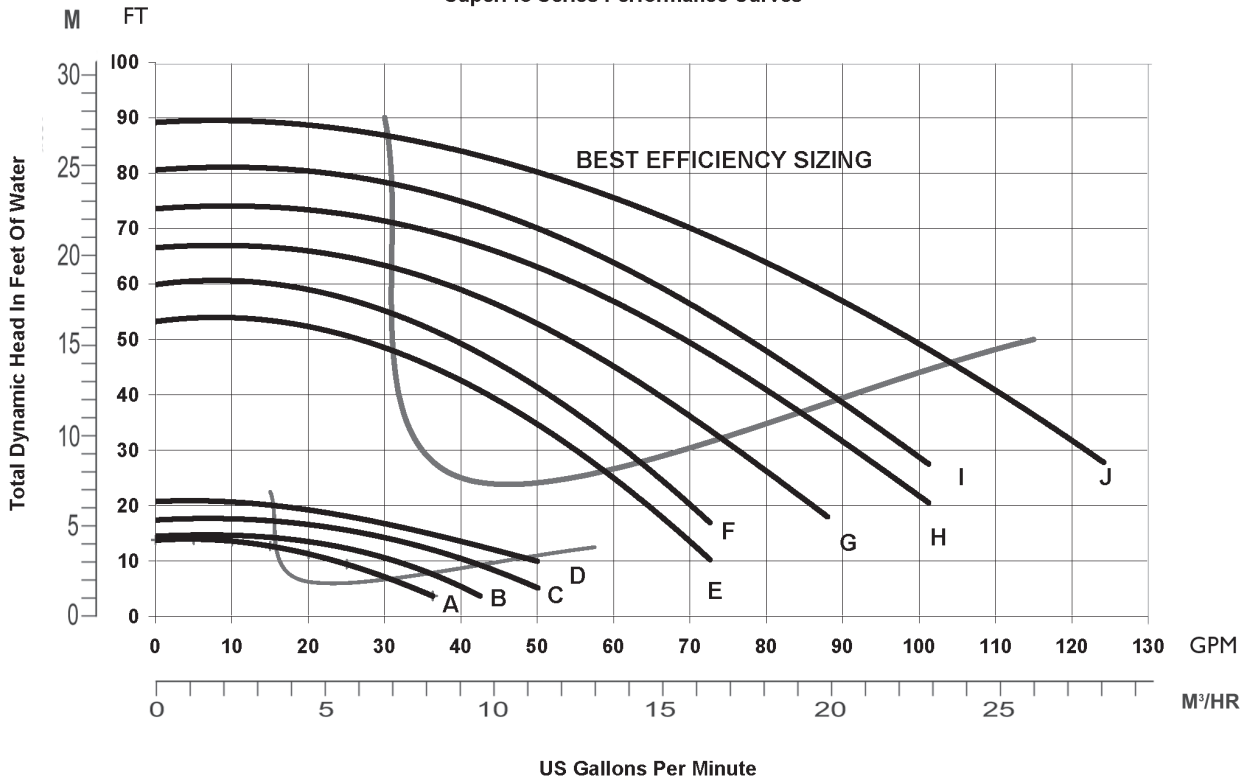
<sup>3</sup> Product may have been evaluated to other state and local regulatory standards. Listing status may change. Always confirm status with appropriate agency if in doubt.

\* Hayward® and Super Pump® are registered trademarks of Hayward Industries, Inc.

# SuperFlo® Pumps (Cont'd)

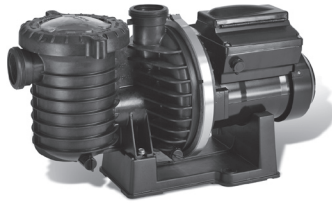
## Dimensions and Performance

Pentair Pool Products  
SuperFlo Series Performance Curves



See page 464 for replacement parts.

# IntelliPro® VS 3050 & IntelliPro VS+SVRS High Performance Pumps



IntelliPro VS-3050  
High Performance Pump

Protected by U.S. Patent No., 7,572,108, 7,612,510, 7,686,587, 7,704,051, 7,751,159, D568,340, D606,562 and Patent Pending and all corresponding foreign counterparts.

IntelliPro VS+SVRS only - Protected by U.S. Patent No., D567,189, D611,430, D618,k 182 and Patent Pending and all corresponding foreign counterparts.

IntelliPro Variable Speed pumps combine variable drive technology, onboard digital intelligence, and permanent magnet motors (used in hybrid cars) to reduce pump-related energy costs by up to 90%. The new IntelliPro VS+SVRS model is the first swimming pool pump to feature a built-in Safety Vacuum Release System that detects drain blockage and automatically shuts the pump off.



Sta-Rite IntelliPro VS+SVRS  
Variable Speed Pump



## Featured Highlights

- Ability to program exact pump speeds for specific operations – filtering, heating, cleaning, spa jets, water features and more – slashes energy costs up to 90%
- SVRS model complies with Virginia Graeme Baker Safety Act
- Built-in diagnostics protect the IntelliPro pump from the most common causes of premature failure – overheating, freezing, and voltage irregularities (SVRS model includes priming protection as well)
- No SVRS calibrations needed. Built-in SVRS cannot be turned off
- Safety lock-out feature (password protected) on SVRS model prevents pump speed settings from being changed by unauthorized personnel
- Ability to set minimum and maximum speeds on SVRS model so IntelliPro will only operate within the ranges set to help assure safe operation and long life
- Compatible with IntelliTouch®, EasyTouch®, and SunTouch® pool control systems
- NSF Certified, UL and ETL Listed as an ASME A112.19.17.2002 Device

## Ordering Information

| Product  | Description  | Voltage | Full Load Amps | kW  | HP | SF   | SFHP | Primary Listings and Certifications <sup>5</sup>                          | Port Size (NPT) | Carton Wt. (Lbs.) |
|--|--|---------|----------------|-----|----|------|------|---|-----------------|-------------------|
| <b>ULTRA ENERGY EFFICIENT VARIABLE SPEED (NON-SVRS MODEL)</b>                  |  |         |                |     |    |      |      |   |                 |                   |
| P6E6Y4H-209L   | IntelliPro VS-3050   | 230     | 16             | 3.2 | 3  | 1.32 | 3.95 | UL <sup>1</sup> , NSF <sup>2</sup> , CSA <sup>3</sup>                     | 2 in. x 2 in.   | 47                |
| <b>ULTRA ENERGY EFFICIENT VARIABLE SPEED WITH SAFETY VACUUM RELEASE SYSTEM</b> |  |         |                |     |    |      |      |   |                 |                   |
| P6E6XS4H-209L  | IntelliPro VS+SVRS   | 230     | 16             | 3.2 | 3  | 1.32 | 3.95 | UL <sup>1</sup> , NSF <sup>2</sup> , CSA <sup>3</sup> , ASME <sup>4</sup> | 2 in. x 2 in.   | 47                |
| <b>ACCESSORIES</b>   |  |         |                |     |    |      |      |   |                 |                   |
| 520641   | IntelliCom 4 - Rated 15 - 240 VAC 15-100 VDC With 4 Inputs                               |         |                |     |    |      |      |   |                 | 8                 |
| 521109   | IntelliCom 2 - Rated 9 - 24 VDC with 4 Inputs  |         |                |     |    |      |      |   |                 | 1                 |
| 350122   | Communication Cable - 50 ft. - Included with IntelliPro VS 3050 and IntelliPro VS + SVRS |         |                |     |    |      |      |   |                 | 2                 |
| 350250Z  | SVRS KIT – Allows use of discharge checks with SVRS pump                                 |         |                |     |    |      |      |   |                 | 1                 |

<sup>1</sup> 'UL' indicates that pump bears a specific UL mark signifying evaluation to U.S. Standards UL1081 for Permanently Connected

Swimming Pool and Spa Pumps and to Canadian Standards CAN/CSA C22.2 No. 108-01 Liquid Pumps For Swimming Pools Only (Enclosure 3).

<sup>2</sup> 'NSF' indicates that pump bears a NSF mark signifying evaluation to NSF Standard 50 For Self-Priming Centrifugal Pumps For Swimming Pools Only.

<sup>3</sup> 'CSA' indicates that pump bears a CSA mark signifying evaluation to Canadian Standards CAN/CSA C22.2 No. 108-01 Liquid Pumps For Swimming Pools Only (Enclosure 3).

<sup>4</sup> 'ASME' indicates that pump bears a specific mark signifying evaluation to ASME/ANSI Standard A.112.19.17.2002 Manufactured Safety Vacuum Relief System (SVRS).

<sup>5</sup> Product may have been evaluated to other state and local regulatory standards. Listing status may change. Always confirm status with appropriate agency if in doubt.



# IntelliPro® VS 3050 & IntelliPro VS+SVRS High Performance Pumps



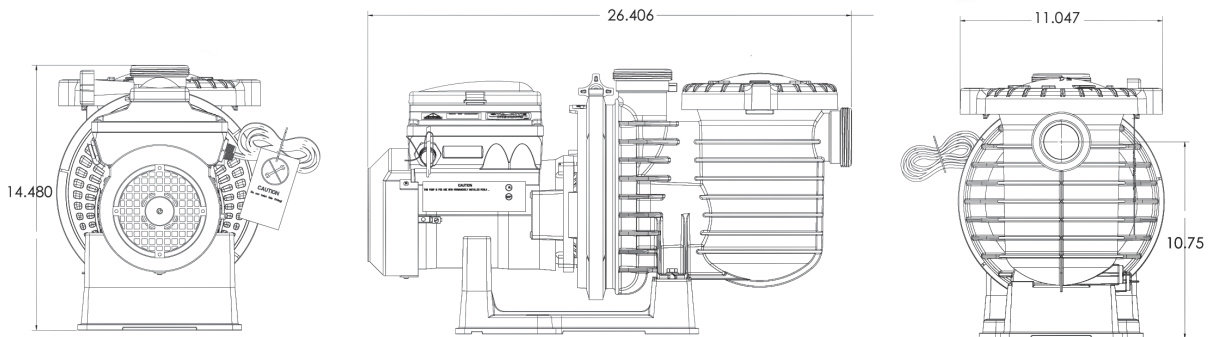
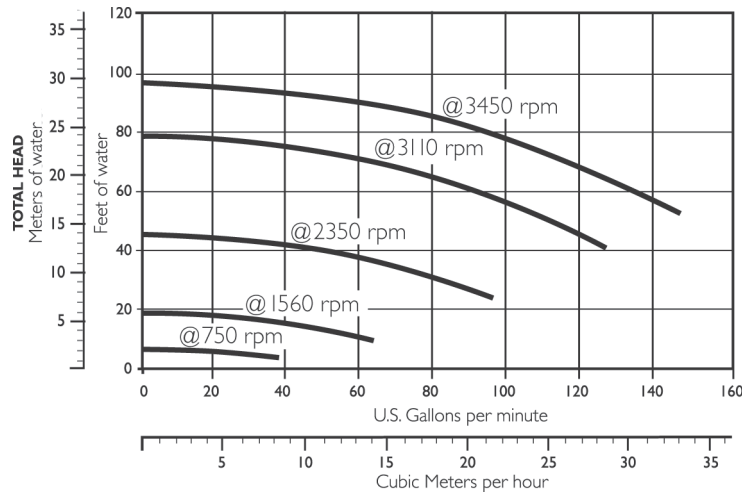
Four function buttons to set speeds for filtration cycles, spas, water features, and more

Speed adjustment buttons – you or your pool professional dial in the most efficient speed for each application

Alarm Status light – a sequence of blinks alerts you of conditions that may need attention

Note: This photo shows keypad for VS-3050 only.

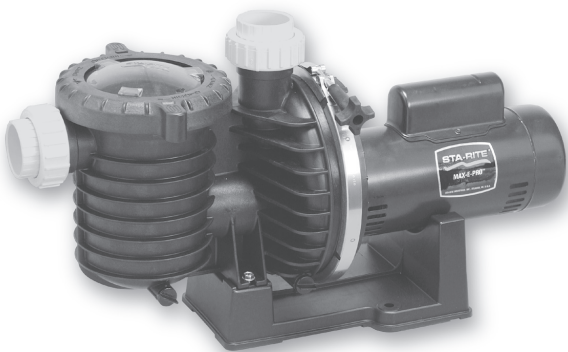
## Dimensions and Performance



See page 466–467 for replacement parts.

# Max-E-Pro™ Pumps

## High-Efficiency Pool/Spa Pumps



Max-E-Pro High-Efficiency Pool/Spa Pump

### Featured Highlights

- **Typical Installation** – Inground pools, pool/spa combinations, inground spas, fountains and water features
- **Self-priming** – Suction lift up to 15 ft. above water level
- **Easy-to-Install** – 2 in. ports include external and internal threads for more plumbing options
- **Superior Hydraulic Design** – Moves larger volumes of water, resulting in lower operating costs
- **Impeller Manufactured with Noryl®** – Withstands the toughest water environments
- **Viton Shaft Seal** – Longer-lasting seal stands up to the harshest environments
- **Self-lubricating Lid O-ring** – Does not require lubricant

**P6 & 5P6R SERIES** – High efficiency, low maintenance and maximum performance—all the features demanded by today's pool professionals. The Max-E-Pro has our new Quick-Lock™ trap cover ring and the 2 in. ports incorporate internal and external threads. Available in single- and two-speed models, with ratings from 1/2 to 3 HP. **Built with quality construction** using a durable one-piece pump housing constructed of Dura-Glas™—Sta-Rite's industry leading glass-reinforced composite resin. **Fast cleaning** with a new Quick-Lock trap cover ring permits fast access to strainer basket. Large “see-thru” lid makes it simple to check for debris. A **strong, sturdy**, specially-designed base dampens sound and vibration, making the Max-E-Pro one of the quietest pumps in its class.

### Ordering Information

| Product  | Voltage | Full Load Amps | HP    | SF   | SFHP | Primary Listings and Certifications <sup>3</sup> | Port Size (NPT) | Carton Wt. (Lbs.) | Curve Key |
|--|---------|----------------|-------|------|------|--|-----------------|-------------------|-----------|
| <b>ENERGY EFFICIENT SINGLE SPEED FULL RATED</b>    |         |                |       |      |      |  |                 |                   |           |
| P6E6C-204L   | 115/230 | 11/5.5         | 1/2   | 1.90 | 0.95 | UL <sup>1</sup> , NSF <sup>2</sup>               | 2 in. x 2 in.   | 46                | C         |
| P6E6D-205L   | 115/230 | 13.8/6.9       | 3/4   | 1.65 | 1.23 | UL <sup>1</sup> , NSF <sup>2</sup>               | 2 in. x 2 in.   | 47                | D         |
| P6E6E-206L   | 115/230 | 16/8           | 1     | 1.65 | 1.65 | UL <sup>1</sup> , NSF <sup>2</sup>               | 2 in. x 2 in.   | 49                | E         |
| P6E6F-207L   | 230     | 10.4           | 1-1/2 | 1.47 | 2.20 | UL <sup>1</sup> , NSF <sup>2</sup>               | 2 in. x 2 in.   | 55                | F         |
| P6E6G-208L   | 230     | 11.2           | 2     | 1.30 | 2.60 | UL <sup>1</sup> , NSF <sup>2</sup>               | 2 in. x 2 in.   | 57                | G         |
| P6E6H-209L   | 230     | 15.0           | 3     | 1.15 | 3.45 | UL <sup>1</sup> , NSF <sup>2</sup>               | 2 in. x 2 in.   | 62                | H         |
| <b>ENERGY EFFICIENT SINGLE SPEED UP RATED</b>      |         |                |       |      |      |  |                 |                   |           |
| P6EA6E-205L  | 115/230 | 13.8/6.9       | 1     | 1.25 | 1.25 | UL <sup>1</sup> , NSF <sup>2</sup>               | 2 in. x 2 in.   | 46                | D         |
| P6EA6F-206L  | 115/230 | 16/8           | 1-1/2 | 1.10 | 1.65 | UL <sup>1</sup> , NSF <sup>2</sup>               | 2 in. x 2 in.   | 48                | E         |
| P6EAA6F-216L                                       | 230     | 10.4           | 1-3/4 | 1.25 | 1.93 | UL <sup>1</sup> , NSF <sup>2</sup>               | 2 in. x 2 in.   | 54                | F         |
| P6EA6G-207L  | 230     | 10.4           | 2     | 1.10 | 2.20 | UL <sup>1</sup> , NSF <sup>2</sup>               | 2 in. x 2 in.   | 54                | F         |
| P6EAA6G-208L                                       | 230     | 11.2           | 2-1/2 | 1.00 | 2.50 | UL <sup>1</sup> , NSF <sup>2</sup>               | 2 in. x 2 in.   | 57                | G         |
| <b>STANDARD EFFICIENCY SINGLE SPEED FULL RATED</b> |         |                |       |      |      |  |                 |                   |           |
| P6R6D-205L   | 115/230 | 15.3/7.6       | 3/4   | 1.65 | 1.25 | UL <sup>1</sup> , NSF <sup>2</sup>               | 2 in. x 2 in.   | 40                | D         |
| P6R6E-206L   | 115/230 | 19.2/9.6       | 1     | 1.65 | 1.65 | UL <sup>1</sup> , NSF <sup>2</sup>               | 2 in. x 2 in.   | 45                | E         |
| P6R6F-207L   | 115/230 | 21.0/10.5      | 1-1/2 | 1.47 | 2.20 | UL <sup>1</sup> , NSF <sup>2</sup>               | 2 in. x 2 in.   | 51                | F         |
| P6R6G-208L   | 230     | 11.5           | 2     | 1.30 | 2.60 | UL <sup>1</sup> , NSF <sup>2</sup>               | 2 in. x 2 in.   | 53                | G         |
| P6R6H-209L   | 230     | 14.1           | 3     | 1.15 | 3.45 | UL <sup>1</sup> , NSF <sup>2</sup>               | 2 in. x 2 in.   | 58                | H         |
| <b>STANDARD EFFICIENCY SINGLE SPEED UP RATED</b>   |         |                |       |      |      |  |                 |                   |           |
| P6RA6E-205L  | 115/230 | 15.3/7.6       | 1     | 1.25 | 1.25 | UL <sup>1</sup> , NSF <sup>2</sup>               | 2 in. x 2 in.   | 40                | D         |
| P6RA6F-206L  | 115/230 | 19.2/9.6       | 1-1/2 | 1.10 | 1.65 | UL <sup>1</sup> , NSF <sup>2</sup>               | 2 in. x 2 in.   | 45                | E         |
| P6RAA6F-216L                                       | 230     | 12.0           | 1-3/4 | 1.25 | 1.93 | UL <sup>1</sup> , NSF <sup>2</sup>               | 2 in. x 2 in.   | 50                | F         |
| P6RA6G-207L  | 230     | 12.0           | 2     | 1.10 | 2.20 | UL <sup>1</sup> , NSF <sup>2</sup>               | 2 in. x 2 in.   | 51                | F         |

# Max-E-Pro™ Pumps (Cont'd)

## High-Efficiency Pool/Spa Pumps

### Ordering Information

| Product   | Voltage  | Full Load Amps | HP    | SF   | SFHP | Primary Listings and Certifications <sup>3</sup> | Port Size (NPT) | Carton Wt. (Lbs.) | Curve Key |
|---|--|----------------|-------|------|------|--|-----------------|-------------------|-----------|
| <b>ENERGY EFFICIENT SINGLE SPEED FULL RATED 3-PHASE</b>                 |  |                |       |      |      |  |                 |                   |           |
| P6R6C3-204  | 208-230/460  | 3.2-3.0/1.5    | 1/2   | 1.9  | 0.95 | NSF <sup>2</sup>                                 | 2 in. x 2 in.   | 38                | C         |
| P6R6D3-205  | 208-230/460  | 3.8-3.6/1.8    | 3/4   | 1.65 | 1.25 | NSF <sup>2</sup>                                 | 2 in. x 2 in.   | 39                | D         |
| P6R6E3-206  | 208-230/460  | 5.0-4.6/2.3    | 1     | 1.65 | 1.65 | NSF <sup>2</sup>                                 | 2 in. x 2 in.   | 41                | N         |
| P6R6F3-207  | 208-230/460  | 6.4-5.8/2.9    | 1-1/2 | 1.47 | 2.20 | NSF <sup>2</sup>                                 | 2 in. x 2 in.   | 48                | F         |
| P6R6G3-208  | 208-230/460  | 7.1-6.8/3.4    | 2     | 1.30 | 2.60 | NSF <sup>2</sup>                                 | 2 in. x 2 in.   | 50                | G         |
| P6R6H3-209  | 208-230/460  | 11.0-10.4/5.2  | 3     | 1.15 | 3.45 | NSF <sup>2</sup>                                 | 2 in. x 2 in.   | 59                | H         |
| <b>SINGLE SPEED FULL RATED FOR LOW VOLTAGE APPLICATIONS- 3 PHASE</b>    |  |                |       |      |      |  |                 |                   |           |
| P6R62D3-186   | 200-400  | 3.8/1.9        | 3/4   | 1.65 | 1.25 | NSF <sup>2</sup>                                 | 2 in. x 2 in.   | 42                | D         |
| P6R62E3-187   | 200-400  | 5.2/2.6        | 1     | 1.65 | 1.65 | NSF <sup>2</sup>                                 | 2 in. x 2 in.   | 48                | N         |
| P6R62F3-188   | 200-400  | 7.6/3.8        | 1-1/2 | 1.47 | 2.20 | NSF <sup>2</sup>                                 | 2 in. x 2 in.   | 50                | F         |
| P6R62G3-189   | 200-400  | 9.8            | 2     | 1.30 | 2.60 | NSF <sup>2</sup>                                 | 2 in. x 2 in.   | 52                | G         |
| <b>SINGLE SPEED FULL RATED FOR LOW VOLTAGE APPLICATIONS- 3 PHASE</b>    |  |                |       |      |      |  |                 |                   |           |
| P6EA6D36-204  | 575  | 1.2            | 3/4   | 1.50 | 1.12 | NSF <sup>2</sup>                                 | 2 in. x 2 in.   | 39                | D         |
| P6EA6E36-205  | 575  | 1.5            | 1     | 1.40 | 1.40 | NSF <sup>2</sup>                                 | 2 in. x 2 in.   | 41                | N         |
| P6EA6F36-206  | 575  | 1.9            | 1-1/2 | 1.10 | 1.65 | NSF <sup>2</sup>                                 | 2 in. x 2 in.   | 48                | F         |
| P6EA6G36-207  | 575  | 3.2            | 2     | 1.00 | 2.00 | NSF <sup>2</sup>                                 | 2 in. x 2 in.   | 50                | G         |
| P6EA6H36-209  | 575  | 3.9            | 3     | 1.15 | 3.45 | NSF <sup>2</sup>                                 | 2 in. x 2 in.   | 59                | H         |
| <b>ENERGY EFFICIENT TWO SPEED 3450 RPM, LOW SPEED 1725 RPM UP RATED</b> |  |                |       |      |      |  |                 |                   |           |
| P6RA6YF-206L  | 230  | 9.2/2.5        | 1-1/2 | 1.10 | 1.65 | UL <sup>1</sup> , NSF <sup>2</sup>               | 2 in. x 2 in.   | 48                | A, E      |
| P6RA6YG-207L  | 230  | 10.1/3.7       | 2     | 1.10 | 2.20 | UL <sup>1</sup> , NSF <sup>2</sup>               | 2 in. x 2 in.   | 49                | B, F      |
| <b>50 HZ ENERGY EFFICIENT SINGLE SPEED</b>                              |  |                |       |      |      |  |                 |                   |           |
| 5P6R6D-209  | 115/220-240  | 12.2/6.1       | 3/4   | 1.65 | 1.23 |  | 2 in. x 2 in.   | 39                | I         |
| 5P6R6E-210  | 115/220-240  | 15.4/7.7       | 1     | 1.25 | 1.25 |  | 2 in. x 2 in.   | 41                | J         |
| 5P6R6F-211  | 115/220-240  | 19.4/9.7       | 1.5   | 1.10 | 1.65 |  | 2 in. x 2 in.   | 48                | K         |
| 5P6R6G-212  | 220-240  | 10.5           | 2     | 1.10 | 2.20 |  | 2 in. x 2 in.   | 50                | L         |
| 5P6R6H-213  | 220-240  | 13.9           | 3     | 1.00 | 3.00 |  | 2 in. x 2 in.   | 59                | M         |
| <b>50 HZ ENERGY EFFICIENT SINGLE SPEED - 3 PHASE</b>                    |  |                |       |      |      |  |                 |                   |           |
| 5P6R6D3-209   | 220-240/380-415                                    | 3.6/2.1        | 3/4   | 1.27 | .95  |  | 2 in. x 2 in.   | 38                | I         |
| 5P6R6E3-210   | 220-240/380-415                                    | 4.0/2.3        | 1     | 1.25 | 1.25 |  | 2 in. x 2 in.   | 40                | J         |
| 5P6R6F3-211   | 220-240/380-415                                    | 5.15/3.0       | 1-1/2 | 1.10 | 1.65 |  | 2 in. x 2 in.   | 47                | K         |
| 5P6R6G3-212   | 220-240/380-415                                    | 6.6/3.8        | 2     | 1.10 | 2.20 |  | 2 in. x 2 in.   | 49                | L         |
| 5P6R6H3-213   | 220-240/380-415                                    | 8.0/4.7        | 3     | 1.00 | 3.00 |  | 2 in. x 2 in.   | 58                | M         |
| <b>ACCESSORIES</b>  |  |                |       |      |      |  |                 |                   |           |
| 77703-0100  | 2 in. Union Half x 1-1/2 in. FPT – Package Of Two  |                |       |      |      |  |                 | I                 |           |
| 77703-0101  | 2 in. Union Half x 1-1/2 in. Slip – Package Of Two |                |       |      |      |  |                 | I                 |           |
| PKG I88   | 2 in. Union Half x 2 in. Slip – Package Of Two     |                |       |      |      |  |                 | I                 |           |
| PKG I89   | 2 in. Union Half x 2 in. FPT – Package Of Two      |                |       |      |      |  |                 | I                 |           |

<sup>1</sup> 'UL' indicates that pump bears a specific UL mark signifying evaluation to U.S. Standards UL1081 for Permanently Connected Swimming Pool and Spa Pumps and to Canadian Standards CAN/CSA C22.2 No. 108-01 Liquid Pumps For Swimming Pools And Spas. (Enclosure 3).

<sup>2</sup> 'NSF' indicates that pump bears a NSF mark signifying evaluation to NSF Standard 50 For Self-Priming Centrifugal Pumps For Swimming Pools, Spas and Hot Tubs.

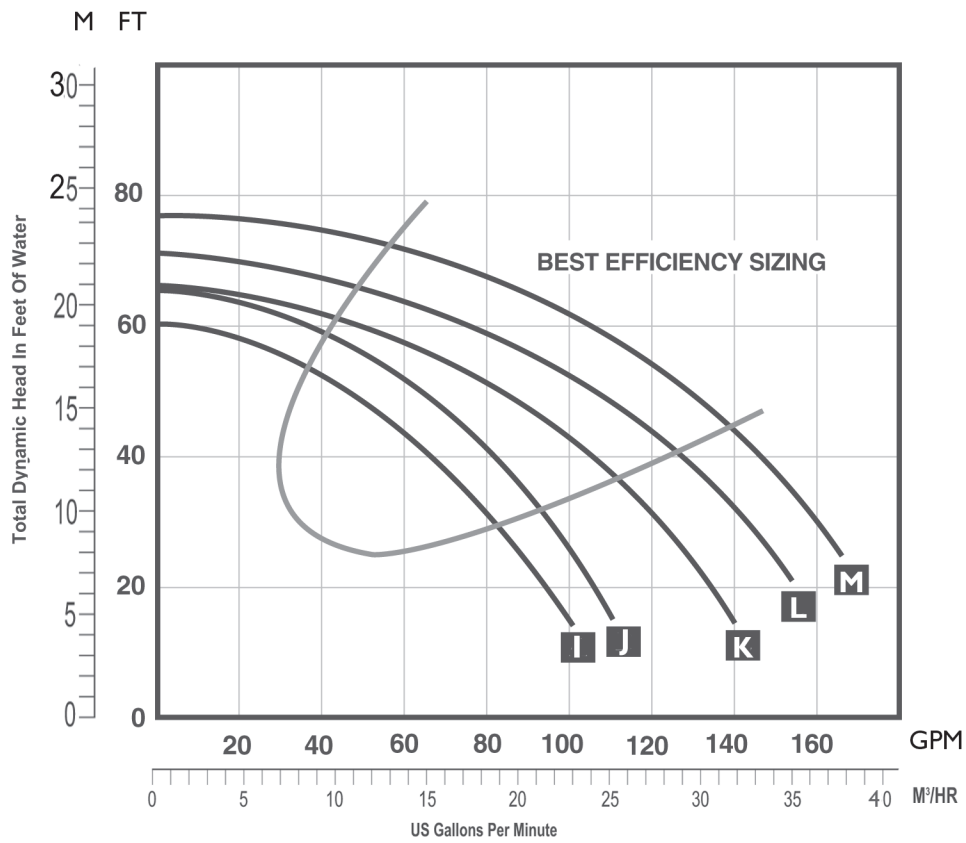
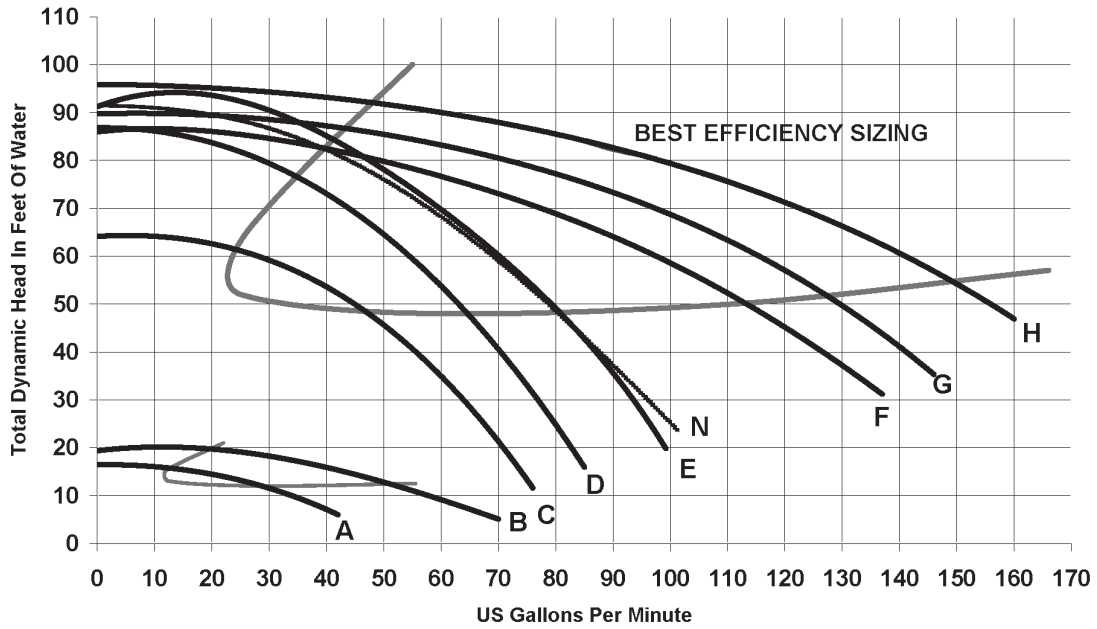
<sup>3</sup> Product may have been evaluated to other state and local regulatory standards. Listing status may change. Always confirm status with appropriate agency if in doubt.

Note: Noryl® is a registered trademark of General Electric Co. and Viton is a registered trademark of Dupont Performance Elastomers, LLC.



# Max-E-Pro™ Pumps (Cont'd)

## High-Efficiency Pool/Spa Pumps



# SuperMax<sup>®</sup> Pumps

## High Performance Pumps



SuperMax Pump

### Featured Highlights

- SuperMax by Sta-Rite<sup>®</sup> is a direct replacement for the Hayward<sup>®</sup>\* Super Pump<sup>®</sup>\*
- Single and two-speed models ranging from 1/2 to 2-1/2 HP
- Cam and Ramp lid locks and unlocks with a simple quarter turn
- Exterior thermoplastic resin withstands temperature extremes and delivers long life

The new SuperMax<sup>®</sup> pump from Sta-Rite features a commercial grade, 56 square flange motor for top performance in residential swimming pools. SuperMax is a superior drop-in replacement for Super Pump. The advantage for consumers is its quiet operation and economical performance. The benefit to pool professionals is its ease of installation and reliability. Union fittings are included and the pump easily drops in place.

### Ordering Information

| Product  | Model   | Voltage     | Full Load Amps | HP    | SF   | SFHP | Primary Listings and Certifications <sup>3</sup> | Port Size (NPT)       | Carton Wt. (Lbs.) | Curve Key |
|--|---|-------------|----------------|-------|------|------|--|-----------------------|-------------------|-----------|
| <b>ENERGY EFFICIENT SINGLE SPEED</b>                           |   |             |                |       |      |      |  |                       |                   |           |
| PHK2E6C-100L   | NI-1/2AE-HP   | 115/208-230 | 8.8/4.5-4.4    | 1/2   | 1.90 | 0.95 | UL <sup>1</sup>                                  | 1-1/2 in. x 1-1/2 in. | 38                | E         |
| PHK2E6D-101L   | NI-3/4AE-HP   | 115/208-230 | 8.8/4.5-4.4    | 3/4   | 1.25 | 0.93 | UL <sup>1</sup>                                  | 1-1/2 in. x 1-1/2 in. | 38                | F         |
| PHK2E6E-102L   | NI-1AE-HP   | 115/208-230 | 14.8/7.8-7.4   | 1     | 1.10 | 1.10 | UL <sup>1</sup>                                  | 1-1/2 in. x 1-1/2 in. | 38                | G         |
| PHK2E6F-103L   | NI-1-1/2AE-HP   | 208-230     | 9.6-8.8        | 1-1/2 | 1.10 | 1.65 | UL <sup>1</sup>                                  | 1-1/2 in. x 1-1/2 in. | 40                | H         |
| PHK2E6G-104L   | NI-2AE-HP   | 208-230     | 11.0-10.2      | 2     | 1.04 | 2.08 | UL <sup>1</sup>                                  | 1-1/2 in. x 1-1/2 in. | 48                | I         |
| PHK2EAA6G-105L   | NI-2-1/2AE-HP   | 208-230     | 11.0-10.2      | 2-1/2 | 1.04 | 2.60 | UL <sup>1</sup>                                  | 1-1/2 in. x 1-1/2 in. | 54                | J         |
| <b>STANDARD EFFICIENCY SINGLE SPEED</b>                        |   |             |                |       |      |      |  |                       |                   |           |
| PHK2RA6C-100L  | NI-1/2F-HP  | 115/230     | 10.8/5.4       | 1/2   | 1.95 | 0.95 | UL <sup>1</sup> , NSF <sup>2</sup>               | 1-1/2 in. x 1-1/2 in. | 38                | E         |
| PHK2RA6D-101L  | NI-3/4A-HP  | 115/230     | 10.8/5.4       | 3/4   | 1.25 | 0.93 | UL <sup>1</sup> , NSF <sup>2</sup>               | 1-1/2 in. x 1-1/2 in. | 38                | F         |
| PHK2RA6E-102L  | NI-1A-HP  | 115/230     | 14.2/7.1       | 1     | 1.25 | 1.25 | UL <sup>1</sup> , NSF <sup>2</sup>               | 1-1/2 in. x 1-1/2 in. | 38                | G         |
| PHK2RA6F-103L  | NI-1-1/2A-HP  | 115/230     | 16.0/8.0       | 1-1/2 | 1.10 | 1.65 | UL <sup>1</sup> , NSF <sup>2</sup>               | 1-1/2 in. x 1-1/2 in. | 40                | H         |
| PHK2RA6G-104L  | NI-2A-HP  | 115/230     | 22.4/11.2      | 2     | 1.10 | 2.20 | UL <sup>1</sup> , NSF <sup>2</sup>               | 1-1/2 in. x 1-1/2 in. | 48                | I         |
| PHK2RAA6G-105L   | NI-2-1/2A-HP  | 230         | 11.5           | 2-1/2 | 1.04 | 2.60 | UL <sup>1</sup> , NSF <sup>2</sup>               | 1-1/2 in. x 1-1/2 in. | 54                | J         |
| <b>ENERGY EFFICIENT TWO SPEED 3450 RPM, LOW SPEED 1725 RPM</b> |   |             |                |       |      |      |  |                       |                   |           |
| PHK2RAY6D-101L   | N2-3/4A-HP  | 115         | 14.6/4.7       | 3/4   | 1.67 | 1.25 | UL <sup>1</sup> , NSF <sup>2</sup>               | 1-1/2 in. x 1-1/2 in. | 39                | A, F      |
| PHK2RAY6E-102L   | N2-1A-HP  | 230         | 6.0/2.3        | 1     | 1.25 | 1.25 | UL <sup>1</sup> , NSF <sup>2</sup>               | 1-1/2 in. x 1-1/2 in. | 39                | B, G      |
| PHK2RAY6F-103L   | N2-1-1/2A-HP  | 230         | 7.8/3.0        | 1-1/2 | 1.10 | 1.65 | UL <sup>1</sup> , NSF <sup>2</sup>               | 1-1/2 in. x 1-1/2 in. | 41                | C, H      |
| PHK2RAY6G-104L   | N2-2A-HP  | 230         | 10.0/3.5       | 2     | 1.10 | 2.20 | UL <sup>1</sup> , NSF <sup>2</sup>               | 1-1/2 in. x 1-1/2 in. | 49                | D, I      |
| <b>ACCESSORIES</b>   |   |             |                |       |      |      |  |                       |                   |           |
| 351157   | Union Kit – 1-1/2 in. Internal Slip x 2 in. External Slip |             |                |       |      |      |  |                       |                   | I         |

<sup>1</sup> 'UL' indicates that pump bears a UL mark signifying evaluation to U.S. Standards UL1081 for Permanently Connected Swimming Pool and Spa Pumps and to Canadian Standards CAN/CSA C22.2 No. 108-01 Liquid Pumps For Swimming Pools Only (Enclosure 3).

<sup>2</sup> 'NSF' indicates that pump bears a NSF mark signifying evaluation to NSF Standard 50 For Self-Priming Centrifugal Pumps For Swimming Pools Only.

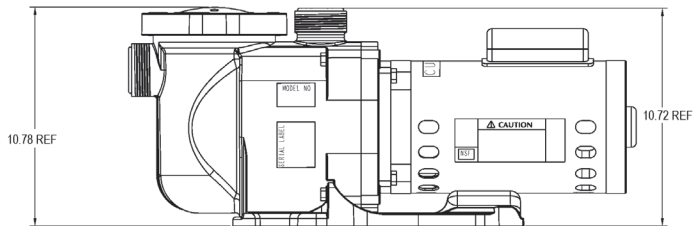
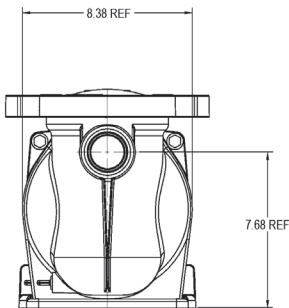
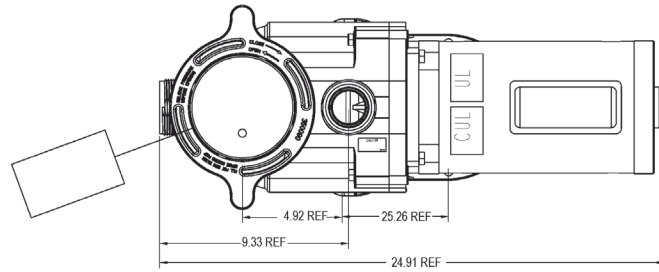
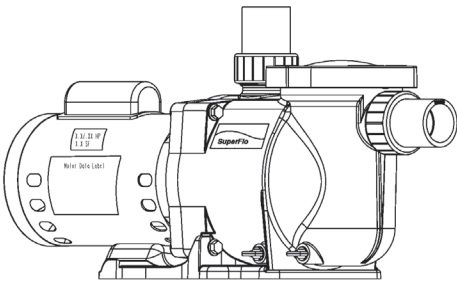
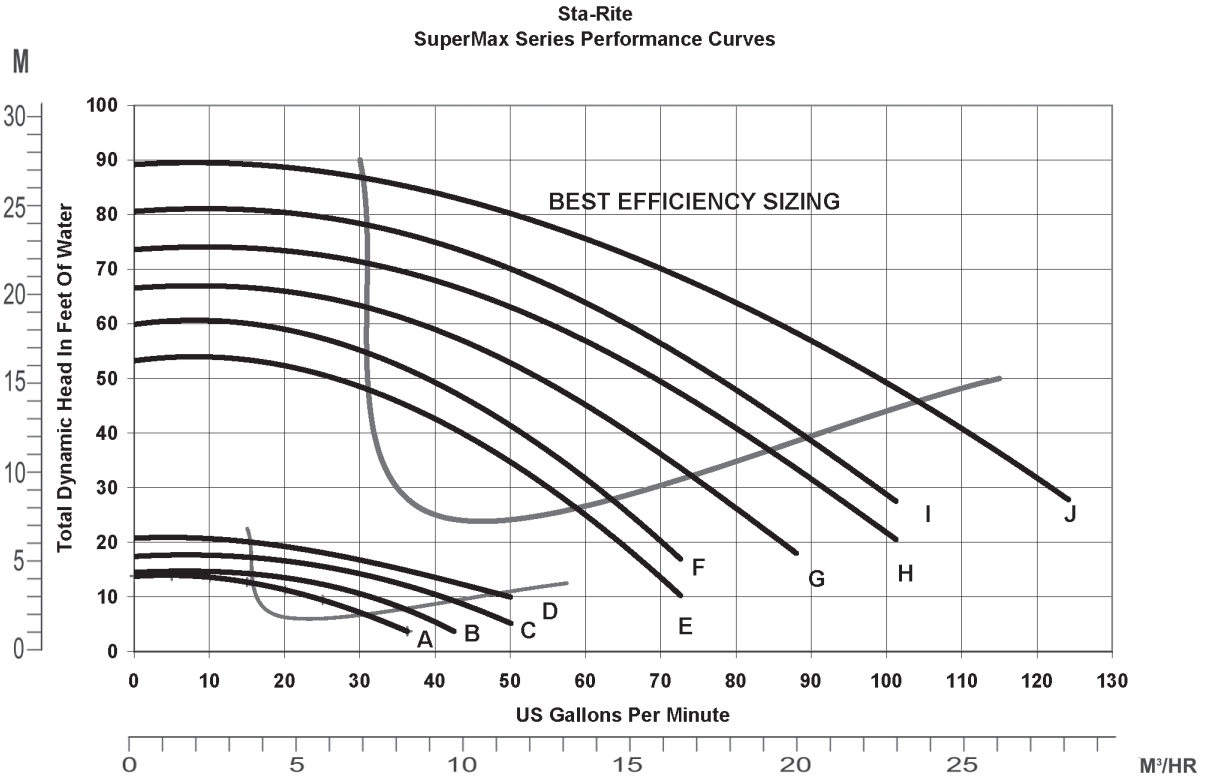
<sup>3</sup> Product may have been evaluated to other state and local regulatory standards. Listing status may change. Always confirm status with appropriate agency if in doubt.

\* Hayward<sup>®</sup> and Super Pump<sup>®</sup> are registered trademarks of Hayward Industries, Inc.

# SuperMax® Pumps

## High Performance Pumps

### Dimensions and Performance



See page 480 for replacement parts.

# Dyna-Pro® Pumps

## Self-Priming Medium Head Pool/Spa Pumps



Dyna-Pro Pump

A rapid, self-priming, medium head pump in 1/2 through 2-1/2 HP with an extra large, integral hair and lint strainer. Precision-molded with Sta-Rite's exclusive thermoplastic composite resin that is highly corrosion resistant.

### Featured Highlights

- Superior hydraulic design and optional energy-efficient motor deliver effortless performance, energy savings, and extended pump life
- High-capacity trap holds a large amount of debris for longer periods between cleanings
- The Cam and Ramp™ lid is easy to remove and locks in place with a quarter turn, making inspection and cleaning a breeze
- Quick-disconnect plumbing unions for faster disassembly and easier service

### Ordering Information

| Product  | Voltage  | Full. Load Amps | HP    | SF   | SFHP | Primary Listings and Certifications <sup>3</sup> | Port Size (NPT) | Carton Wt. (Lbs.) | Curve Key |
|--|--|-----------------|-------|------|------|--|-----------------|-------------------|-----------|
| <b>ENERGY EFFICIENT SINGLE SPEED FULL RATED</b>                            |  |                 |       |      |      |  |                 |                   |           |
| MPE6C-204L   | 115/230  | 11.0/5.5        | 1/2   | 1.90 | 0.95 | UL <sup>1</sup> , NSF <sup>2</sup>               | 2 in. x 2 in.   | 37                | D         |
| MPE6D-205L   | 115/230  | 13.8/6.9        | 3/4   | 1.65 | 1.23 | UL <sup>1</sup> , NSF <sup>2</sup>               | 2 in. x 2 in.   | 39                | E         |
| MPE6E-206L   | 115/230  | 16.0/8.0        | 1     | 1.65 | 1.65 | UL <sup>1</sup> , NSF <sup>2</sup>               | 2 in. x 2 in.   | 44                | F         |
| MPE6F-207L   | 230  | 10.4            | 1-1/2 | 1.47 | 2.20 | UL <sup>1</sup> , NSF <sup>2</sup>               | 2 in. x 2 in.   | 51                | G         |
| MPE6G-208L   | 230  | 11.2            | 2     | 1.30 | 2.60 | UL <sup>1</sup> , NSF <sup>2</sup>               | 2 in. x 2 in.   | 54                | H         |
| <b>ENERGY EFFICIENT SINGLE SPEED UP RATED</b>                              |  |                 |       |      |      |  |                 |                   |           |
| MPEA6D-204L  | 115/230  | 11.0/5.5        | 3/4   | 1.27 | 0.95 | UL <sup>1</sup> , NSF <sup>2</sup>               | 2 in. x 2 in.   | 37                | D         |
| MPEA6E-205L  | 115/230  | 13.8/6.9        | 1     | 1.25 | 1.25 | UL <sup>1</sup> , NSF <sup>2</sup>               | 2 in. x 2 in.   | 39                | E         |
| MPEA6F-206L  | 115/230  | 16.0/8.0        | 1-1/2 | 1.10 | 1.65 | UL <sup>1</sup> , NSF <sup>2</sup>               | 2 in. x 2 in.   | 44                | F         |
| MPEA6G-207L  | 230  | 10.4            | 2     | 1.10 | 2.20 | UL <sup>1</sup> , NSF <sup>2</sup>               | 2 in. x 2 in.   | 51                | G         |
| MPEAA6G-208L   | 230  | 11.2            | 2-1/2 | 1.04 | 2.60 | UL <sup>1</sup> , NSF <sup>2</sup>               | 2 in. x 2 in.   | 54                | H         |
| <b>STANDARD EFFICIENCY SINGLE SPEED UP RATED</b>                           |  |                 |       |      |      |  |                 |                   |           |
| MPRA6D-204L  | 115/230  | 13.4/6.7        | 3/4   | 1.27 | 0.95 | UL <sup>1</sup> , NSF <sup>2</sup>               | 2 in. x 2 in.   | 35                | D         |
| MPRA6E-205L  | 115/230  | 15.3/7.6        | 1     | 1.25 | 1.25 | UL <sup>1</sup> , NSF <sup>2</sup>               | 2 in. x 2 in.   | 37                | E         |
| MPRA6F-206L  | 115/230  | 19.2/9.6        | 1-1/2 | 1.10 | 1.65 | UL <sup>1</sup> , NSF <sup>2</sup>               | 2 in. x 2 in.   | 42                | F         |
| MPRA6G-207L  | 230  | 12.0            | 2     | 1.10 | 2.20 | UL <sup>1</sup> , NSF <sup>2</sup>               | 2 in. x 2 in.   | 49                | G         |
| <b>ENERGY EFFICIENT TWO SPEED 3450 RPM, LOW SPEED 1725 RPM UP RATED</b>    |  |                 |       |      |      |  |                 |                   |           |
| MPEA6YG-207L   | 230  | 10.1/3.7        | 2     | 1.10 | 2.20 | UL <sup>1</sup> , NSF <sup>2</sup>               | 2 in. x 2 in.   | 53                | B, G      |
| MPEAA6YG-208L  | 230  | 11.9/3.5        | 2-1/2 | 1.04 | 2.60 | UL <sup>1</sup> , NSF <sup>2</sup>               | 2 in. x 2 in.   | 57                | C, H      |
| <b>STANDARD EFFICIENCY TWO SPEED 3450 RPM, LOW SPEED 1725 RPM UP RATED</b> |  |                 |       |      |      |  |                 |                   |           |
| MPRA6YF-206L   | 230  | 9.2/2.5         | 1-1/2 | 1.10 | 1.65 | UL <sup>1</sup> , NSF <sup>2</sup>               | 2 in. x 2 in.   | 45                | A, F      |
| <b>ACCESSORIES</b>   |  |                 |       |      |      |  |                 |                   |           |
| 77703-0100   | 2 in. Union Half x 1-1/2 in. FPT – Package Of Two  |                 |       |      |      |  |                 |                   | 1         |
| 77703-0101   | 2 in. Union Half x 1-1/2 in. Slip – Package Of Two |                 |       |      |      |  |                 |                   | 1         |
| PKG 188  | 2 in. Union Half x 2 in. Slip – Package Of Two     |                 |       |      |      |  |                 |                   | 1         |
| PKG 189  | 2 in. Union Half x 2 in. FPT – Package Of Two      |                 |       |      |      |  |                 |                   | 1         |
| U79-II   | Trap Lid Wrench                                    |                 |       |      |      |  |                 |                   | 1         |
| I7350-0008   | Rubber Pump Base Pad                               |                 |       |      |      |  |                 |                   | 1         |

<sup>1</sup> 'UL' indicates that pump bears a specific UL mark signifying evaluation to U.S. Standards ULI1081 for Permanently Connected Swimming Pool and Spa Pumps and to Canadian Standards CAN/CSA C22.2 No. 108-01 Liquid Pumps For Swimming Pools And Spas. (Enclosure 3).

<sup>2</sup> 'NSF' indicates that pump bears a NSF mark signifying evaluation to NSF Standard 50 For Self-Priming Centrifugal Pumps For Swimming Pools, Spas and Hot Tubs.

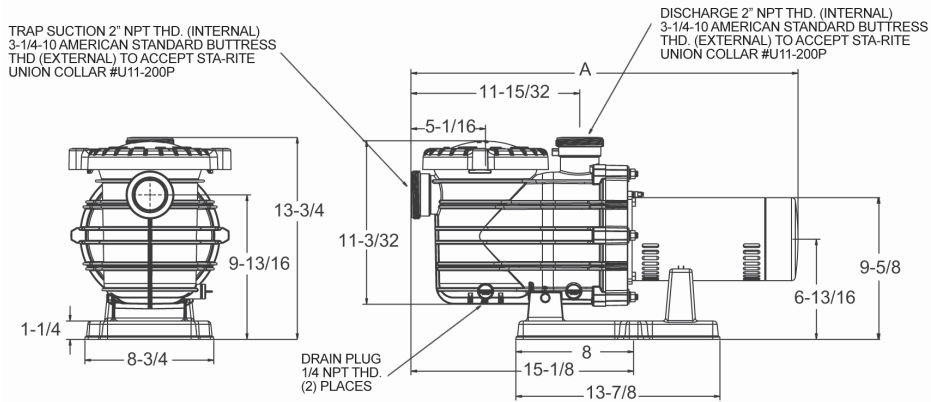
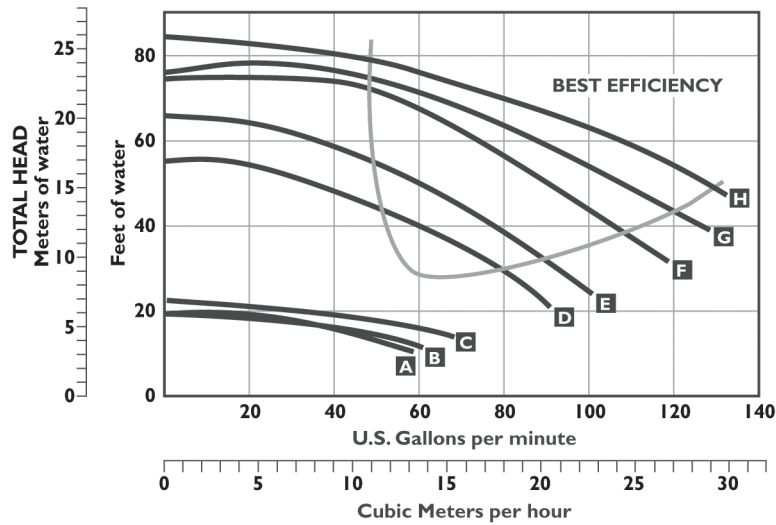
<sup>3</sup> Product may have been evaluated to other state and local regulatory standards. Listing status may change. Always confirm status with appropriate agency if in doubt.



# Dyna-Pro® / Dyna-Pro® E Pumps

## Self-Priming Medium Head Pool/Spa Pumps

### Dimensions and Performance



| Catalog Number | Dimension "A" |
|----------------|---------------|
| MPRA6DL        | 25-1/8        |
| MPRA6EL        | 25-1/2        |
| MPRA6FL        | 26-1/2        |
| MPRA6GL        | 27            |
| MPRA6YFL       | 26-1/2        |
| MPEA6DL        | 25-5/8        |
| MPEA6EL        | 26            |
| MPEA6FL        | 26-5/8        |
| MPEA6GL        | 26-5/8        |
| MPEAA6GL       | 27-1/4        |
| MPEA6YGL       | 26-5/8        |
| MPEAA6YGL      | 27-1/4        |

All dimensions shown in inches.

# Dynamo® Pumps

## For Aboveground Pools



Dynamo Pump With Cord

### Featured Highlights

- Self-priming design ensures long life
- Reinforced fiberglass for strength and durability
- Large capacity basket with see-thru lid
- Unique diffuser and impeller for excellent flow rates
- Easy access drain plugs

All components designed for maximum performance and economy in an aboveground swimming pool pump.

### Ordering Information

| Product  | Model                  | Voltage   | Full Load Amps | HP    | Cord Length (Ft.) | Full Pipe Size | Carton Wt. (Lbs.) |
|--|------------------------|-----------|----------------|-------|-------------------|----------------|-------------------|
| <b>SINGLE-SPEED WITH CORD</b>                          |                        |           |                |       |                   |                |                   |
| 340194   | DYNII-NI- 3/4 HP       | 115V Only | 9.2            | 3/4   | 3 ft. STD         | 1-1/2 in.      | 24                |
| 340314   | DYNII-NI- 3/4 HP       | 115V Only | 9.2            | 3/4   | 3 ft. TWL         | 1-1/2 in.      | 24                |
| 340197   | DYNII-NI-1 HP          | 115V Only | 12.0           | 1     | 3 ft. STD         | 1-1/2 in.      | 26                |
| 340210   | DYNII-NI-1-1/2 HP      | 115V Only | 12.0           | 1-1/2 | 3 ft. STD         | 1-1/2 in.      | 26                |
| 340316   | DYNII-NI-1 HP          | 115V Only | 12.0           | 1     | 3 ft. TWL         | 1-1/2 in.      | 26                |
| 340219   | DYNII-NI-2 HP          | 115V Only | 16.0           | 2     | 3 ft. STD         | 1-1/2 in.      | 30                |
| <b>SINGLE-SPEED WITH CORD, BASE, AND ON/OFF SWITCH</b> |                        |           |                |       |                   |                |                   |
| 340288   | DYNII-NI- 3/4 HP       | 115V Only | 9.2            | 3/4   | 25 ft. STD        | 1-1/2 in.      | 29                |
| 340289   | DYNII-NI-1 HP          | 115V Only | 12.0           | 1     | 25 ft. STD        | 1-1/2 in.      | 31                |
| 340290   | DYNII-NI-1-1/2 HP      | 115V/230V | 16.0           | 1-1/2 | 25 ft. STD        | 1-1/2 in.      | 33                |
| <b>ONE-SPEED WITHOUT CORD</b>                          |                        |           |                |       |                   |                |                   |
| 340103   | DYNII-NI- 3/4 HP       | 115V Only | 9.2            | 3/4   | N/A               | 1-1/2 in.      | 25                |
| 340104   | DYNII-NI-1 HP          | 115V Only | 12.0           | 1     | N/A               | 1-1/2 in.      | 26                |
| 340106   | DYNII-NI 1-1/2 HP      | 115/230V  | 16.0/8.0       | 1-1/2 | N/A               | 1-1/2 in.      | 31                |
| <b>TWO-SPEED WITHOUT CORD</b>                          |                        |           |                |       |                   |                |                   |
| 340203   | DYNII-N2- 3/4 HP       | 115V Only | 8.8/2.6        | 3/4   | N/A               | 1-1/2 in.      | 25                |
| 340204   | DYNII-N2 1 HP          | 115V Only | 11.0/2.9       | 1     | N/A               | 1-1/2 in.      | 28                |
| 340206   | DYNII-N2 1-1/2 HP      | 115V Only | 16.4/4.4       | 1-1/2 | N/A               | 1-1/2 in.      | 30                |
| <b>TWO-SPEED WITH CORD</b>                             |                        |           |                |       |                   |                |                   |
| 340542   | DYNII-N2-1-1/2HP       | 115V Only | 16.4/4.4       | 1-1/2 | 3 ft. TWL         | 1-1/2 in.      | 31                |
| <b>ACCESSORIES</b>                                     |                        |           |                |       |                   |                |                   |
| 354113   | Chemical Resistant Lid |           |                |       |                   |                |                   |

Note: TWL = Twist Lock Cord, STD = Standard Cord

# Dynamo® Pumps

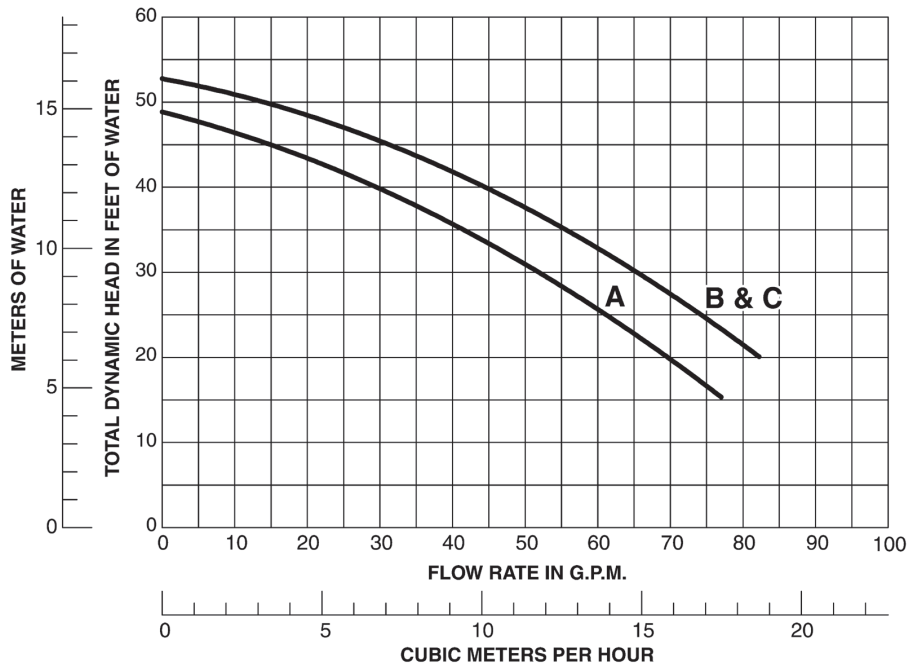
## For Aboveground Pools



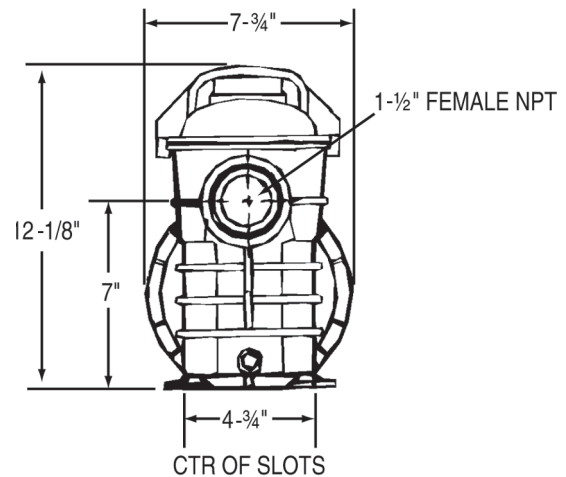
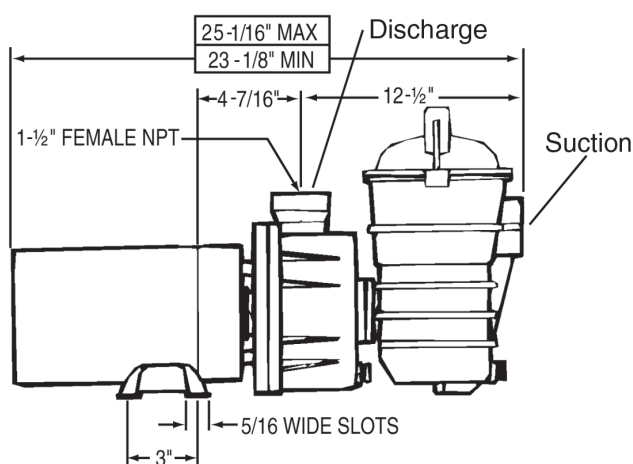
### Dimensions and Performance



**PUMP PERFORMANCE CURVE  
DYNAMO PUMPS**



A = 3/4 HP, B = 1 HP, C = 1 1/2 HP



See page 482 for replacement parts.

# OptiFlo® Pumps

## For Aboveground Pools



OptiFlo Pump

Protected by US Patent 7,207,604

### Featured Highlights

- Large strainer basket
- Cam and Ramp lid lock
- See-thru lid
- Unionized discharge port connection
- Easy to service
- User-friendly removable drain plugs
- Metal base on motor

OptiFlo® pumps for aboveground pools feature a revolutionary design that delivers dependable high flow performance. The OptiFlo features a 48 frame-thru bolt motor, easy access to change the discharge port position, service the impeller, and an exclusive Cam and Ramp™ lid. The OptiFlo is available with 3 ft. cord, with a twist lock or standard plug.

### Ordering Information

| Product                         | Discharge  | Voltage | Full Load Amps | HP    | Cord Length (Ft.) | Full Pipe Size | Carton Wt. (Lbs.) |
|---------------------------------|------------|---------|----------------|-------|-------------------|----------------|-------------------|
| <b>CORDS W/STANDARD PLUGS</b>   |            |         |                |       |                   |                |                   |
| 347981                          | Horizontal | 115     | 9.2            | 3/4   | 3 ft. STD         | 1-1/2 in.      | 20                |
| 347984                          | Vertical   | 115     | 9.2            | 3/4   | 3 ft. STD         | 1-1/2 in.      | 20                |
| 347982                          | Horizontal | 115     | 12             | 1     | 3 ft. STD         | 1-1/2 in.      | 22                |
| 347985                          | Vertical   | 115     | 12             | 1     | 3 ft. STD         | 1-1/2 in.      | 22                |
| 347983                          | Horizontal | 115     | 16             | 1-1/2 | 3 ft. STD         | 1-1/2 in.      | 24                |
| 347986                          | Vertical   | 115     | 16             | 1-1/2 | 3 ft. STD         | 1-1/2 in.      | 24                |
| 340078                          | Horizontal | 115     | 16             | 2     | 3 ft. STD         | 1-1/2 in.      | 24                |
| <b>CORDS W/TWIST LOCK PLUGS</b> |            |         |                |       |                   |                |                   |
| 340066                          | Horizontal | 115     | 9.2            | 3/4   | 3 ft. TWL         | 1-1/2 in.      | 20                |
| 340065                          | Vertical   | 115     | 9.2            | 3/4   | 3 ft. TWL         | 1-1/2 in.      | 20                |
| 347988                          | Horizontal | 115     | 12             | 1     | 3 ft. TWL         | 1-1/2 in.      | 22                |
| 347987                          | Vertical   | 115     | 12             | 1     | 3 ft. TWL         | 1-1/2 in.      | 22                |
| 347989                          | Horizontal | 115/230 | 16             | 1-1/2 | 3 ft. TWL         | 1-1/2 in.      | 24                |
| 340067                          | Vertical   | 115/230 | 16             | 1-1/2 | 3 ft. TWL         | 1-1/2 in.      | 24                |
| 340069                          | Horizontal | 115     | 16             | 2     | 3 ft. TWL         | 1-1/2 in.      | 24                |
| <b>2 SPEED MOTORS</b>           |            |         |                |       |                   |                |                   |
| 347991                          | Horizontal | 115     | 11.0/2.9       | 1     | 3 ft. STD         | 1-1/2 in.      | 22                |
| 347990                          | Vertical   | 115     | 11.0/2.9       | 1     | 3 ft. STD         | 1-1/2 in.      | 22                |
| 340071                          | Horizontal | 115     | 11.0/2.9       | 1     | 3 ft. TWL         | 1-1/2 in.      | 22                |
| 340070                          | Vertical   | 115     | 11.0/2.9       | 1     | 3 ft. TWL         | 1-1/2 in.      | 22                |
| 340079                          | Horizontal | 115     | 16.4/4.4       | 1-1/2 | 3 ft. STD         | 1-1/2 in.      | 24                |
| 347992                          | Vertical   | 115     | 16.4/4.4       | 1-1/2 | 3 ft. STD         | 1-1/2 in.      | 24                |
| 340073                          | Horizontal | 115     | 16.4/4.4       | 1-1/2 | 3 ft. TWL         | 1-1/2 in.      | 24                |
| 340072                          | Vertical   | 115     | 16.4/4.4       | 1-1/2 | 3 ft. TWL         | 1-1/2 in.      | 24                |
| 340077                          | Horizontal | 115     | 16.4/4.4       | 2     | 3 ft. STD         | 1-1/2 in.      | 24                |
| 340076                          | Horizontal | 115     | 16.4/4.4       | 2     | 3 ft. TWL         | 1-1/2 in.      | 24                |

# OptiFlo® Pumps (Cont'd)

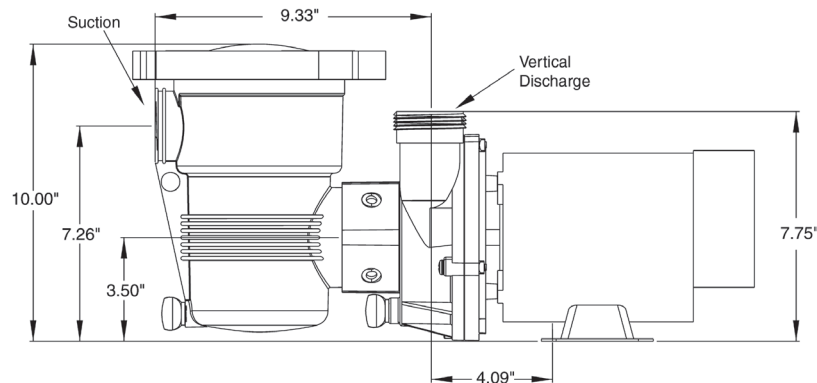
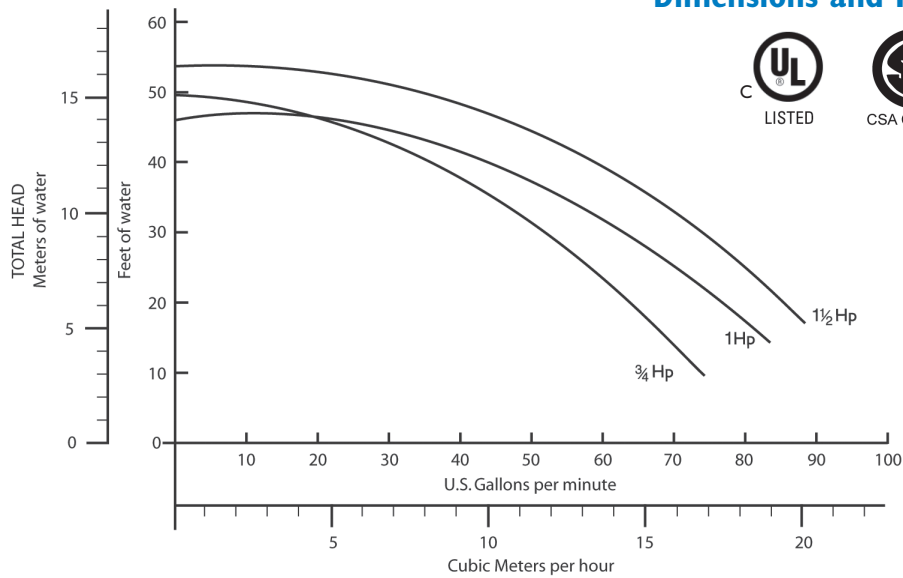
## For Aboveground Pools



| Product                                     | Discharge  | Voltage | Full Load Amps | HP    | Cord Length (Ft.) | Full Pipe Size | Carton Wt. (Lbs.) |
|---|------------|---------|----------------|-------|-------------------|----------------|-------------------|
| <b>CSA WITH 25 FOOT CORD</b>                |            |         |                |       |                   |                |                   |
| 347993                                      | Horizontal | 115     | 9.2            | 3/4   | 25 ft. STD        | 1-1/2 in.      | 20                |
| 347996                                      | Vertical   | 115     | 9.4            | 3/4   | 25 ft. STD        | 1-1/2 in.      | 20                |
| 347994                                      | Horizontal | 115     | 12.0           | 1     | 25 ft. STD        | 1-1/2 in.      | 22                |
| 347997                                      | Vertical   | 115     | 12.0           | 1     | 25 ft. STD        | 1-1/2 in.      | 22                |
| 347995                                      | Horizontal | 115/230 | 16.0           | 1-1/2 | 25 ft. STD        | 1-1/2 in.      | 24                |
| 347998                                      | Vertical   | 115/230 | 16.0           | 1-1/2 | 25 ft. STD        | 1-1/2 in.      | 24                |
| <b>60 Hz MOTORS WITHOUT CORD AND SWITCH</b> |            |         |                |       |                   |                |                   |
| 340088                                      | Vertical   | 230     | 4.6            | 3/4   | N/A               | 1-1/2 in.      | 20                |
| 340089                                      | Vertical   | 230     | 6.0            | 1     | N/A               | 1-1/2 in.      | 22                |
| 340090                                      | Vertical   | 230     | 8.0            | 1-1/2 | N/A               | 1-1/2 in.      | 24                |
| <b>50 Hz MOTORS WITHOUT CORD AND SWITCH</b> |            |         |                |       |                   |                |                   |
| 340056                                      | Vertical   | 230     | 5.0            | 3/4   | N/A               | 1-1/2 in.      | 20                |
| 340057                                      | Vertical   | 230     | 6.2            | 1     | N/A               | 1-1/2 in.      | 22                |
| 340058                                      | Vertical   | 230     | 7.8            | 1-1/2 | N/A               | 1-1/2 in.      | 24                |

Note: TWL = Twist Lock Cord, STD = Standard Cord

### Dimensions and Performance



See page 483 for replacement parts.

# STA-RITE® Dynamo® Pumps

## For Aboveground Pools



STA-RITE Dynamo® Aboveground Pool Pump

### Featured Highlights

- **Typical Installation** – Ideal for aboveground pool
- **Years of Service** – Stands tough against temperature and weather extremes
- **High-Flow** – Designed to move large amounts of water at lower restrictions
- **External Threads** – Discharge port features external threads for quick-connect unions

**STA-RITE** Dynamo® Exceptionally quiet operation and high-flow performance. Constructed of Sta-Rite's rugged thermoplastic resin. Large-capacity trap and an all-weather, smooth-running motor.

### Ordering Information

| Product  | Motor Voltage | Nominal HP | Load Amps | Full Pipe Size | Carton Wt. (Lbs.) |
|--|---------------|------------|-----------|----------------|-------------------|
| <b>SINGLE SPEED WITH 3 FT. STANDARD CORD</b>   |               |            |           |                |                   |
| 351233SR                                       | 115           | 1/2        | 9.2       | 1-1/2 in.      | 24                |
| 340194SR                                       | 115           | 3/4        | 9.2       | 1-1/2 in.      | 24                |
| 340197SR                                       | 115           | 1          | 12.0      | 1-1/2 in.      | 26                |
| 340210SR                                       | 115           | 1-1/2      | 12.0      | 1-1/2 in.      | 26                |
| <b>SINGLE SPEED WITH 3 FT. TWIST LOCK CORD</b> |               |            |           |                |                   |
| 340314SR                                       | 115           | 3/4        | 9.2       | 1-1/2 in.      | 24                |
| 340316SR                                       | 115           | 1          | 12.0      | 1-1/2 in.      | 27                |
| 347970SR                                       | 115           | 1-1/2      | 16.0      | 1-1/2 in.      | 30                |
| <b>SINGLE SPEED WITHOUT CORD</b>               |               |            |           |                |                   |
| 340103SR                                       | 115           | 3/4        | 9.2       | 1-1/2 in.      | 25                |
| 340104SR                                       | 115           | 1          | 12.0      | 1-1/2 in.      | 26                |
| 340106SR                                       | 115/230       | 1-1/2      | 16.0      | 1-1/2 in.      | 31                |
| <b>SINGLE SPEED WITH 25 FT. STANDARD CORD</b>  |               |            |           |                |                   |
| 340285SR                                       | 115           | 3/4        | 9.2       | 1-1/2 in.      | 29                |
| 340289SR                                       | 115           | 1          | 12.0      | 1-1/2 in.      | 31                |
| 340290SR                                       | 115/230       | 1-1/2      | 16.0      | 1-1/2 in.      | 33                |
| <b>TWO SPEED WITH 3 FT. STANDARD CORD</b>      |               |            |           |                |                   |
| 340207SR                                       | 115           | 3/4        | 8.8/2.6   | 1-1/2 in.      | 26                |
| 340060SR                                       | 115           | 1          | 11.0/2.9  | 1-1/2 in.      | 29                |
| 340400SR                                       | 115           | 1-1/2      | 11.0/2.9  | 1-1/2 in.      | 29                |
| <b>TWO SPEED WITH 3 FT. TWIST LOCK CORD</b>    |               |            |           |                |                   |
| 340203SR                                       | 115           | 3/4        | 8.8/2.6   | 1-1/2 in.      | 26                |
| 340062SR                                       | 115           | 1          | 11.0/2.9  | 1-1/2 in.      | 29                |
| 340322SR                                       | 115           | 1-1/2      | 16.4/4.4  | 1-1/2 in.      | 31                |
| <b>50 HZ MOTORS WITHOUT CORD</b>               |               |            |           |                |                   |
| 340119SR                                       | 230           | 3/4        | 5.0       | 1-1/2 in.      | 25                |
| 340175SR                                       | 230           | 1          | 6.2       | 1-1/2 in.      | 26                |
| 345550SR                                       | 230           | 1-1/2      | 7.8       | 1-1/2 in.      | 31                |

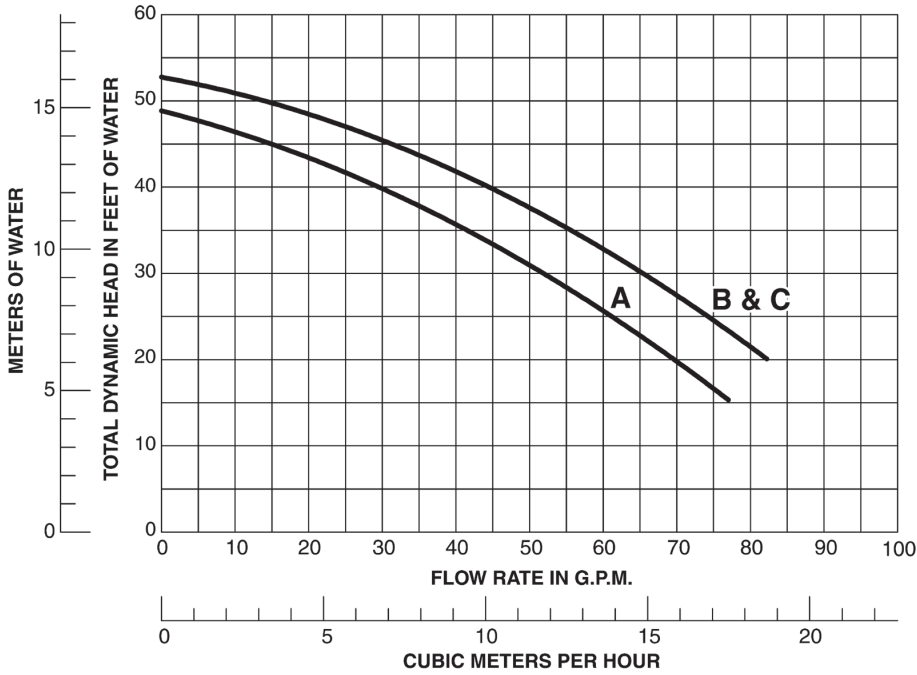
# STA-RITE® Dynamo® Pumps

## For Aboveground Pools

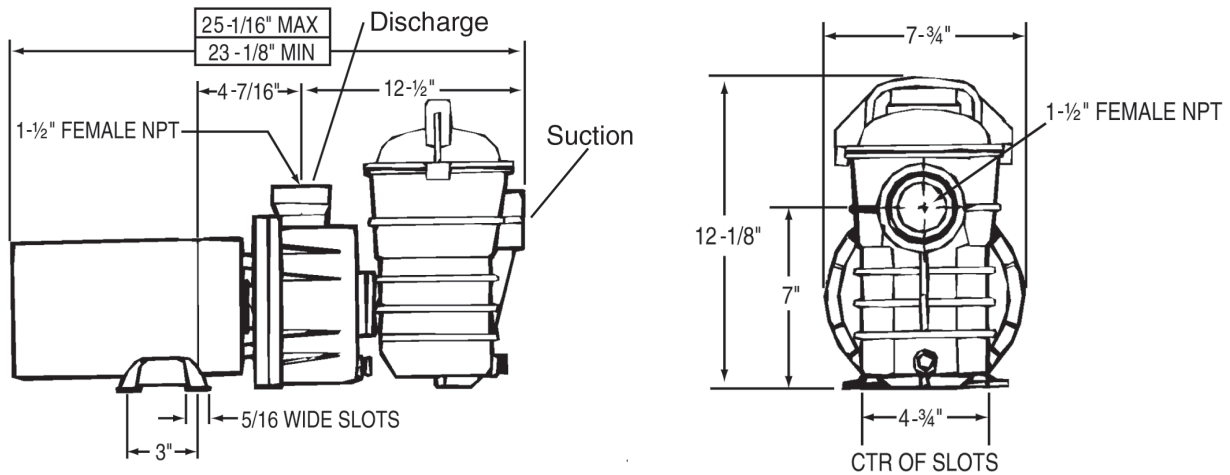
### Dimensions and Performance



**PUMP PERFORMANCE CURVE  
DYNAMO PUMPS**



A = 3/4 HP, B = 1 HP, C = 1 1/2 HP



All dimensions shown in inches.

See pages 484 for replacement parts.

# STA-RITE® OptiFlo® Pumps

## For Aboveground Pools



STA-RITE OptiFlo® Pool Pump

### Featured Highlights

- User-friendly removable drain plugs
- Cam and Ramp lid lock
- **Typical Installation** – Ideal for aboveground pool and small inground pools.
- **Years of Service** – Stands tough against temperature and weather extremes
- **External Threads** – Discharge port features external threads for quick-connect unions

**STA-RITE OptiFlo®** Exceptionally quiet operation and high-flow performance. Constructed of Sta-Rite's rugged thermoplastic resin. Large 5-1/2 in. capacity trap and an all-weather, smooth-running motor.

### Ordering Information

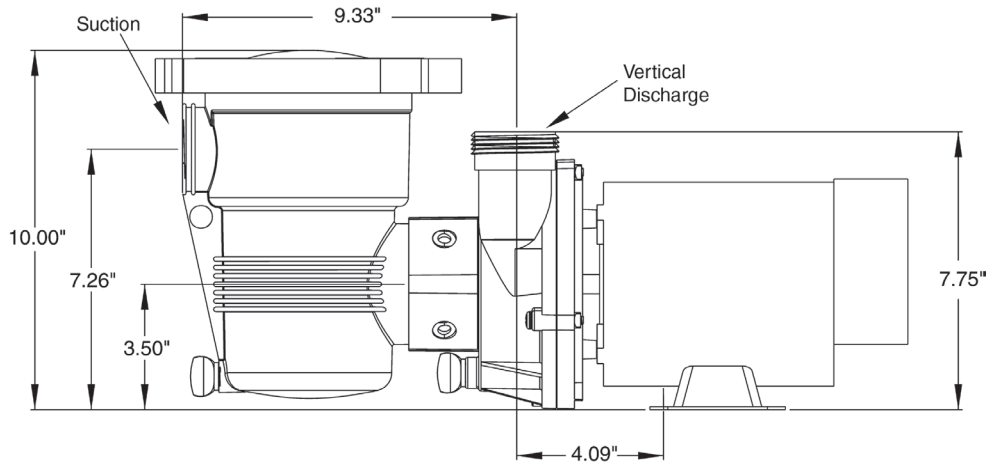
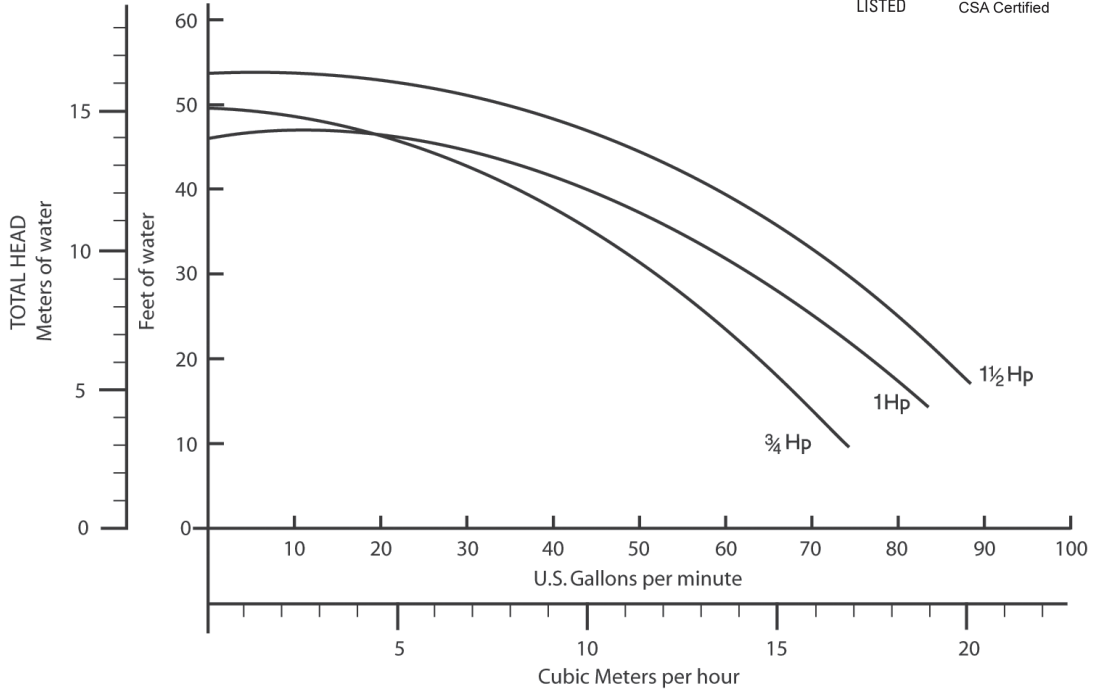
| Product  | Motor Voltage | Nominal HP | Load Amps | Full Pipe Size | Carton Wt. (Lbs.) |
|--|---------------|------------|-----------|----------------|-------------------|
| <b>SINGLE SPEED WITH 3 FT. STANDARD CORD</b>   |               |            |           |                |                   |
| 347981SR                                       | 115           | 3/4        | 9.2       | 1-1/2 in.      | 20                |
| 347982SR                                       | 115           | 1          | 12.0      | 1-1/2 in.      | 22                |
| 347983SR                                       | 115/230       | 1-1/2      | 16.0      | 1-1/2 in.      | 24                |
| <b>SINGLE SPEED WITH 3 FT. TWIST LOCK CORD</b> |               |            |           |                |                   |
| 340066SR                                       | 115           | 3/4        | 9.2       | 1-1/2 in.      | 20                |
| 347988SR                                       | 115           | 1          | 12.0      | 1-1/2 in.      | 22                |
| 347989SR                                       | 115/230       | 1-1/2      | 16.0      | 1-1/2 in.      | 24                |
| <b>SINGLE SPEED WITH 25 FT. STANDARD CORD</b>  |               |            |           |                |                   |
| 347993SR                                       | 115           | 3/4        | 9.2       | 1-1/2 in.      | 20                |
| 347994SR                                       | 115           | 1          | 12.0      | 1-1/2 in.      | 22                |
| 347995SR                                       | 115/230       | 1-1/2      | 16.0      | 1-1/2 in.      | 24                |
| <b>TWO SPEED WITH 3 FT. STANDARD CORD</b>      |               |            |           |                |                   |
| 347991SR                                       | 115           | 1          | 11.0/2.9  | 1-1/2 in.      | 22                |
| 340079SR                                       | 115           | 1-1/2      | 16.4/4.4  | 1-1/2 in.      | 24                |
| <b>TWO SPEED WITH 3 FT. TWIST LOCK CORD</b>    |               |            |           |                |                   |
| 340071SR                                       | 115           | 1          | 11.0/2.9  | 1-1/2 in.      | 22                |
| 340073SR                                       | 115           | 1-1/2      | 16.4/4.4  | 1-1/2 in.      | 24                |



# STA-RITE® OptiFlo® Pumps (Cont'd)

## For Aboveground Pools

### Dimensions and Performance



See page 485 for replacement parts.

# Commercial Acu Drive™ XS

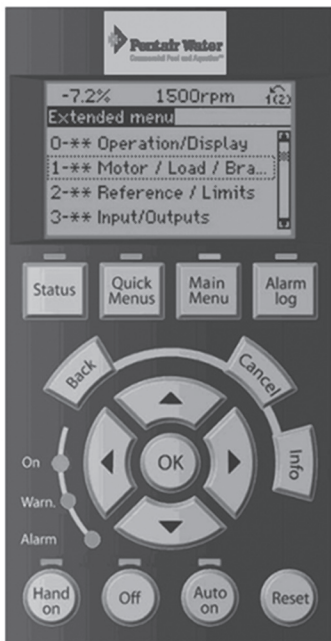
## Variable Frequency Drive



### Featured Highlights

- Save up to 60% or more on pump's electricity usage
- "Right-size" your pump to the exact flow required
- Saves energy with constant flow as the filters gets dirty (with optional flow sensor)
- Off-hour flow management capability
- Does not blow corrosive filter-room air across the circuitry
- High efficiency up to 98% – adjusts drive input voltage for best efficiency point
- Eliminates need for motor starters
- Integrated disconnects, fusing and optional bypasses
- 2-step ramps (Soft Start Feature)
- Real-time clock for time based functions
- Overload trip protection protects motor and Acu Drive from Voltage Spikes and phase unbalance
- Can connect to an IntelliTouch system
- Up to a six year on-site warranty available
- Start-up included with every drive (technical training option available)
- Indoor & Outdoor-rated enclosures
- One drive type for the full power range
- For use with 3 phase pumps only

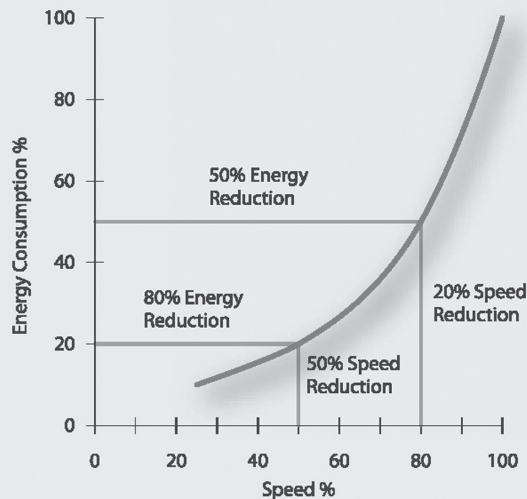
The Acu Drive™ XS offers built-in intelligence for increased performance in all aquatic pump applications. Specified to save money, energy and time, the Acu Drive offers very fast return on investment. The Acu Drive allows the pump to run at its most efficient point on the curve. Preventative maintenance costs will drop due to motor protection, motor soft start, and a significant decrease in water hammer protecting the shaft and impeller. Up to an additional 5% savings due to the Acu Drive's ability to balance power phase and harmonic suppression. Built with powerful standard and optional features specifically designed for energy optimization, the Acu Drive XS is perfectly matched with the full line of Pentair Water Commercial Pool and Aquatics' pumps.



### Affinity Law

Significant Energy Savings are achieved with even a modest reduction in speed

#### Ideal Energy Consumption at Varying Speed



# Commercial Acu Drive™ XS (Cont'd)

## Variable Frequency Drive



### Ordering Information

| 3 PHASE INCLUDES FUSED DISCONNECT, ON-SITE START-UP* AND BATTERY BACK-UP |                   |                |                |                    |                |                |
|--|-------------------|----------------|----------------|--------------------|----------------|----------------|
| Horse Power (HP)   | NEMA I (IP 20/21) |                |                | NEMA 12 (IP 54/55) |                |                |
|  | 200–240 VAC       | 360–480 VAC    | 525–600 VAC    | 200–240 VAC        | 360–480 VAC    | 525–600 VAC    |
| 3  | AD030-2303-N01    | AD030-4603-N01 | AD030-5753-N01 | AD030-2303-NI2     | AD030-4603-NI2 | AD030-5753-NI2 |
| 5  | AD050-2303-N01    | AD050-4603-N01 | AD050-5753-N01 | AD050-2303-NI2     | AD050-4603-NI2 | AD050-5753-NI2 |
| 7-1/2  | AD075-2303-N01    | AD075-4603-N01 | AD075-5753-N01 | AD075-2303-NI2     | AD075-4603-NI2 | AD075-5753-NI2 |
| 10   | AD100-2303-N01    | AD100-4603-N01 | AD100-5753-N01 | AD100-2303-NI2     | AD100-4603-NI2 | AD100-5753-NI2 |
| 15   | AD150-2303-N01    | AD150-4603-N01 | AD150-5753-N01 | AD150-2303-NI2     | AD150-4603-NI2 | AD150-5753-NI2 |
| 20   | AD200-2303-N01    | AD200-4603-N01 | AD200-5753-N01 | AD200-2303-NI2     | AD200-4603-NI2 | AD200-5753-NI2 |

| SINGLE PHASE INPUT DRIVES (FOR USE WITH 3 PHASE PUMPS ONLY) INCLUDES DISCONNECT ONLY (NO FUSES) ON-SITE START-UP* AND BATTERY BACK-UP |                   |                    |
|---|-------------------|--------------------|
| Horse Power (HP)  | NEMA I (IP 20/21) | NEMA 12 (IP 54/55) |
|   | 200–240 VAC       | 200–240 VAC        |
| 3   | AD030-2301-N01    | AD030-2301-NI2     |
| 5   | AD050-2301-N01    | AD050-2301-NI2     |
| 7-1/2   | AD075-2301-N01    | AD075-2301-NI2     |
| 10  | AD100-2301-N01    | AD100-2301-NI2     |
| 15–20   | AD200-2301-N01    | AD200-2301-NI2     |

### Optional Accessories and Warranties

| ACU DRIVE FLOW SENSOR KITS WITH INTEGRAL 4-20 OUTPUT SIGNAL, INCLUDES PVC CLAMP-ON SADDLE FOR DISPLAY ON ACU-DRIVE ONLY (DOES NOT INCLUDE SEPARATE WALL-MOUNT DISPLAY) |  |
|--|--|
| Product  | Description                            |
| 97014-4203KIT  | 3 in. Flow sensor kit with 4-20 output |
| 97014-4204KIT  | 4 in. Flow sensor kit with 4-20 output |
| 97016-4206KIT  | 6 in. Flow sensor kit with 4-20 output |
| 97016-4208KIT  | 8 in. Flow sensor kit with 4-20 output |

| ENHANCED SERVICE WARRANTY - ON-SITE* INCLUDES PARTS, LABOR, TRAVEL AND ON-SITE WARRANTY REPAIR. USE PRODUCT NUMBERS AS FOLLOWS: |              |               |               |               |
|---|--------------|---------------|---------------|---------------|
|   |              | 208–230 Volts |               | 380–690 Volts |
| DURATION  | 3 HP & Below | 5–25 HP       | 10 HP & Below | 15–40 HP      |
| 3 YEAR  | AD-EWWI36    | AD-EWW236     | AD-EWWI36     | AD-EWWW236    |
| 6 YEAR  | AD-EWWI72    | AD-EWW272     | AD-EWWI72     | AD-EWWW272    |

\* Additional charges will apply if on-site start-up exceeds four hours (including round-trip travel) per Acu-Drive.

Other options and add-ons are available including Nema 4X (IP66) enclosure, “Fused Bypass” upgrade, and additional on-site technical training. For more information on these options, other sizes, or applications assistance call 1-800-831-7133.

Some pump motors (e.g. 230/460V versions) can be wired to accommodate multiple voltages. This is not true of VFDs. In order to ensure proper VFD selection, the actual pump motor input voltage must be consistent with the drives operating range as shown.

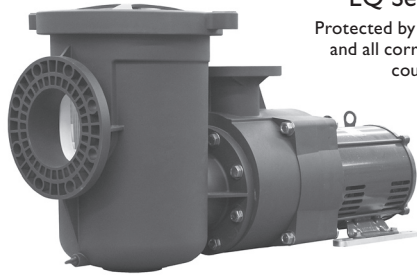
The Acu-Drive is recommended for use with all “High” or “Premium” efficiency motors and all motors that have Class F insulation or better. While these drives can be used with Class B insulated motors, motor winding failure is possible, especially at voltages higher than 260V.

Standard Acu-Drives XS can be returned within 12 months of invoice only if unused, in original packaging, and subject to a 35% restocking charge. Special drives are non-returnable.

Nema 12 enclosure provides protection against dust, dirt and light splashing. Nema 12 units may be used outdoors when sheltered from direct precipitation and sunlight. Nema 1 enclosure provides basic protection against accidental contact and falling dirt, and is only recommended for ideal, indoor installations.

# EQ Series® Commercial Plastic Pump

## With and Without Hair and Lint Strainer



EQ Series® Pump  
Protected by U.S. Patent Pending  
and all corresponding foreign  
counterparts

Commercial Plastic pump built specifically for commercial and large residential pools. Pump features extraordinary electrical and hydraulic efficiency that pays premiums in low electrical costs, less wear and tear on critical moving parts, and quiet operation.

### Featured Highlights

- Nema Premium Grade Efficiency Motors
- Commercial grade, non-corrosive Plastic Parts for durability and long life
- Cam and Ramp™ see thru lid
- Self-priming with Hair and Lint Strainer
- Drop-in replacement for C Series Pump
- Compatible with Acu Drive XS VFD
- Light weight
- Waterfall models great for low head, high flow applications
- Easy cleaning and serviceability
- 50 hz model available – contact factory

### Ordering Information

| Product  | Description | Voltage     | Amps           | HP  | SF   | SFHP  | Primary Listings and Certifications <sup>6</sup> | Port Size (ANSI Flange) | Carton Wt. (Lbs.) | Curve Key |
|--|-------------|-------------|----------------|-----|------|-------|--|-------------------------|-------------------|-----------|
| <b>NEMA PREMIUM EFFICIENCY SINGLE PHASE POOL PUMP WITHOUT STRAINER</b>                 |             |             |                |     |      |       |  |                         |                   |           |
| 340019   | EQ-500      | 230         | 20.0           | 5   | 1.15 | 5.75  | NSF <sup>2</sup> , ETL <sup>5</sup>              | 6 in. x 4 in.           | 97                | A         |
| 340021   | EQ-750      | 230         | 30.4           | 7.5 | 1.15 | 8.63  | NSF <sup>2</sup>                                 | 6 in. x 4 in.           | 132               | B         |
| 340237   | EQ-1000     | 230         | 40.0           | 10  | 1.15 | 11.50 | NSF <sup>2</sup>                                 | 6 in. x 4 in.           | 150               | C         |
| <b>NEMA PREMIUM EFFICIENCY THREE PHASE POOL PUMP WITHOUT STRAINER</b>                  |             |             |                |     |      |       |  |                         |                   |           |
| 340020   | EQK-500     | 208-230/460 | 13.5-12.3/6.2  | 5   | 1.15 | 5.75  | NSF <sup>2</sup>                                 | 6 in. x 4 in.           | 77                | D         |
| 340022   | EQK-750     | 208-230/460 | 20.4-18.2/9.1  | 7.5 | 1.15 | 8.63  | NSF <sup>2</sup>                                 | 6 in. x 4 in.           | 87                | E         |
| 340023   | EQK-1000    | 208-230/460 | 27.0/26.2-13.1 | 10  | 1.15 | 11.50 | NSF <sup>2</sup>                                 | 6 in. x 4 in.           | 117               | F         |
| 340024   | EQK-1500    | 208-230/460 | 40.0-38.0/18.8 | 15  | 1.15 | 17.25 | NSF <sup>2</sup>                                 | 6 in. x 4 in.           | 132               | G         |
| 340148   | EQK-500     | 575         | 5.1            | 5   | 1.15 | 5.75  | NSF <sup>2</sup>                                 | 6 in. x 4 in.           | 77                | D         |
| 340149   | EQK-750     | 575         | 7.2            | 7.5 | 1.15 | 8.63  | NSF <sup>2</sup>                                 | 6 in. x 4 in.           | 87                | E         |
| 340150   | EQK-1000    | 575         | 10.2           | 10  | 1.15 | 11.50 | NSF <sup>2</sup>                                 | 6 in. x 4 in.           | 117               | F         |
| 340151   | EQK-1500    | 575         | 15.0           | 15  | 1.15 | 17.25 | NSF <sup>2</sup>                                 | 6 in. x 4 in.           | 132               | G         |
| <b>NEMA PREMIUM EFFICIENCY SINGLE PHASE POOL PUMP WITH STRAINER</b>                    |             |             |                |     |      |       |  |                         |                   |           |
| 340030   | EQ-500      | 230         | 20.0           | 5   | 1.15 | 5.75  | NSF <sup>3</sup> , ETL <sup>5</sup>              | 6 in. x 4 in.           | 126               | A         |
| 340032   | EQ-750      | 230         | 30.4           | 7.5 | 1.15 | 8.63  | NSF <sup>3</sup>                                 | 6 in. x 4 in.           | 161               | B         |
| 340238   | EQ-1000     | 230         | 40.0           | 10  | 1.15 | 11.50 | NSF <sup>3</sup>                                 | 6 in. x 4 in.           |                   | C         |
| <b>NEMA PREMIUM EFFICIENCY THREE PHASE POOL PUMP WITH STRAINER</b>                     |             |             |                |     |      |       |  |                         |                   |           |
| 340031   | EQK-500     | 208-230/460 | 13.5-12.3/6.2  | 5   | 1.15 | 5.75  | NSF <sup>3</sup>                                 | 6 in. x 4 in.           | 106               | D         |
| 340033   | EQK-750     | 208-230/460 | 20.1-18.3/9.1  | 7.5 | 1.15 | 8.63  | NSF <sup>3</sup>                                 | 6 in. x 4 in.           | 116               | E         |
| 340034   | EQK-1000    | 208-230/460 | 27.0/26.2-13.1 | 10  | 1.15 | 11.50 | NSF <sup>3</sup>                                 | 6 in. x 4 in.           | 146               | F         |
| 340035   | EQK-1500    | 208-230/460 | 40.0-36.0/17.8 | 15  | 1.15 | 17.25 | NSF <sup>3</sup>                                 | 6 in. x 4 in.           | 161               | G         |
| 340155   | EQK-500     | 575         | 5.1            | 5   | 1.15 | 5.75  | NSF <sup>3</sup>                                 | 6 in. x 4 in.           | 106               | D         |
| 340156   | EQK-750     | 575         | 7.2            | 7.5 | 1.15 | 8.63  | NSF <sup>3</sup>                                 | 6 in. x 4 in.           | 116               | E         |
| 340157   | EQK-1000    | 575         | 10.2           | 10  | 1.15 | 11.50 | NSF <sup>3</sup>                                 | 6 in. x 4 in.           | 146               | F         |
| 340159   | EQK-1500    | 575         | 15.0           | 15  | 1.15 | 17.25 | NSF <sup>3</sup>                                 | 6 in. x 4 in.           | 161               | G         |
| <b>NEMA PREMIUM EFFICIENCY SINGLE PHASE WATERFALL PUMP WITHOUT STRAINER - 1750 RPM</b> |             |             |                |     |      |       |  |                         |                   |           |
| 340014   | EQW-300     | 208-230     | 19.5/19.2      | 3   | 1.15 | 3.45  | NSF <sup>2</sup> , ETL <sup>5</sup>              | 6 in. x 4 in.           | 97                | H         |
| 340017   | EQW-500     | 208-230     | 23.0-20.1      | 5   | 1.25 | 6.25  | NSF <sup>2</sup> , ETL <sup>5</sup>              | 6 in. x 4 in.           | 97                | I         |
| <b>NEMA PREMIUM EFFICIENCY THREE PHASE WATERFALL PUMP WITHOUT STRAINER - 1750 RPM</b>  |             |             |                |     |      |       |  |                         |                   |           |
| 340016   | EQWK-300    | 208-230/460 | 8.4-7.8/3.9    | 3   | 1.15 | 3.45  | NSF <sup>2</sup>                                 | 6 in. x 4 in.           | 77                | H         |
| 340018   | EQWK-500    | 208-230/460 | 13.8-13.0/6.5  | 5   | 1.25 | 6.25  | NSF <sup>2</sup>                                 | 6 in. x 4 in.           | 77                | I         |
| <b>NEMA PREMIUM EFFICIENCY SINGLE PHASE WATERFALL PUMP WITH STRAINER - 1750 RPM</b>    |             |             |                |     |      |       |  |                         |                   |           |
| 340026   | EQW-300     | 208/230     | 19.5/19.2      | 3   | 1.15 | 3.45  | NSF <sup>3</sup> , ETL <sup>5</sup>              | 6 in. x 4 in.           | 126               | H         |
| 340028   | EQW-500     | 208-230     | 23.0/20.1      | 5   | 1.25 | 6.25  | NSF <sup>3</sup> , ETL <sup>5</sup>              | 6 in. x 4 in.           | 126               | I         |

# EQ Series® Commercial Plastic Pump (Cont'd)

## With and Without Hair and Lint Strainer

| Product  | Description  | Voltage     | Amps          | HP | SF   | SFHP | Primary Listings and Certifications <sup>6</sup> | Port Size (ANSI Flange) | Carton Wt. (Lbs.) | Curve Key |
|--|--|-------------|---------------|----|------|------|--|-------------------------|-------------------|-----------|
| <b>NEMA PREMIUM EFFICIENCY THREE PHASE WATERFALL PUMP WITH STRAINER</b>  |  |             |               |    |      |      |  |                         |                   |           |
| 340027   | EQWK-300   | 208-230/460 | 8.4-7.8/3.9   | 3  | 1.15 | 3.45 | NSF <sup>3</sup>                                 | 6 in. x 4 in.           | 106               | H         |
| 340029   | EQWK-500   | 208-230/460 | 13.8-13.0/6.5 | 5  | 1.25 | 6.25 | NSF <sup>3</sup>                                 | 6 in. x 4 in.           | 106               | I         |
| <b>HAIR AND LINT STRAINER WITH CAM AND RAMP LID, BASKET AND HARDWARE</b> |  |             |               |    |      |      |  |                         |                   |           |
| 340013   | EQ 6X6 Strainer  |             |               |    |      |      | NSF <sup>4</sup>                                 | 6 in. x 6 in.           | 33                | J         |
| <b>EQ SERIES PUMP ACCESSORIES FLANGE ASSEMBLY KITS</b>                   |  |             |               |    |      |      |  |                         |                   |           |
| 357262   | Flange 4 in. w/gasket and SS hardware <sup>1</sup>                                   |             |               |    |      |      |  |                         | 20                |           |
| 357263   | Flange 6 in. w/gasket and SS hardware <sup>1</sup>                                   |             |               |    |      |      |  |                         | 23                |           |
| 357212   | Flange 6 in. w/ gasket and SS hardware. <b>For use on EQ Pumps without Strainer.</b> |             |               |    |      |      |  |                         | 23                |           |

<sup>1</sup> Thermoplastic PVC socket style.

<sup>2</sup> 'NSF' indicates that pump bears a NSF mark signifying evaluation to NSF Standard 50 For Non Self-Priming Centrifugal Pumps For Swimming Pools, Spas and Hot Tubs.

<sup>3</sup> 'NSF' indicates that pump bears a NSF mark signifying evaluation to NSF Standard 50 For Self-Priming Centrifugal Pumps For Swimming Pools, Spas and Hot Tubs.

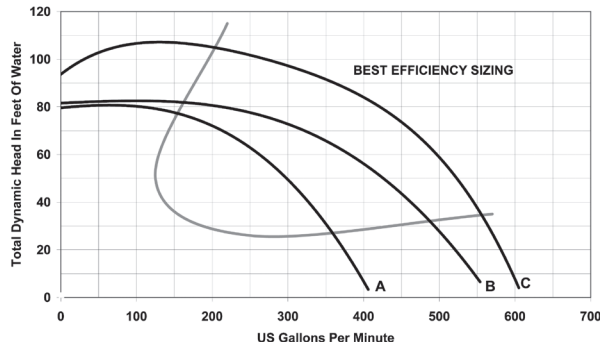
<sup>4</sup> 'NSF' indicates that product bears a NSF mark signifying evaluation to NSF Standard 50 For Materials and Components.

<sup>5</sup> 'ETL' indicates that pump bears a specific ETL mark signifying evaluation to U.S. Standards ULI1081 for Permanently Connected Swimming Pool and Spa Pumps and to Canadian Standards CAN/CSA C22.2 No. 108-01 Liquid Pumps For Swimming Pools And Spas. (Enclosure 3).

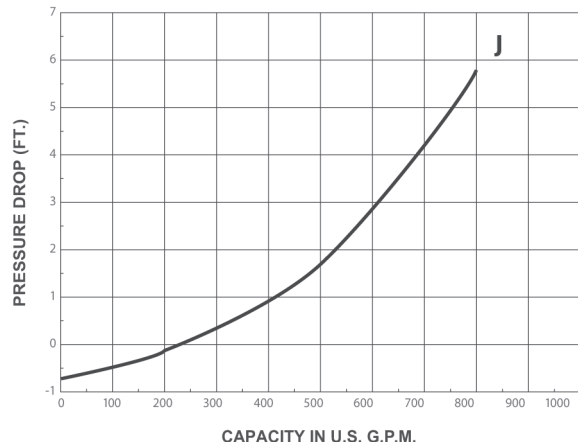
<sup>6</sup> Product may have been evaluated to other state and local regulatory standards. Listing status may change. Always confirm status with appropriate agency if in doubt.

## Dimensions and Performance

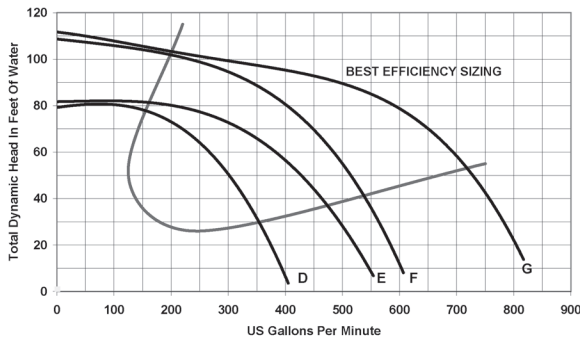
Single Phase Pumps - EQ Models



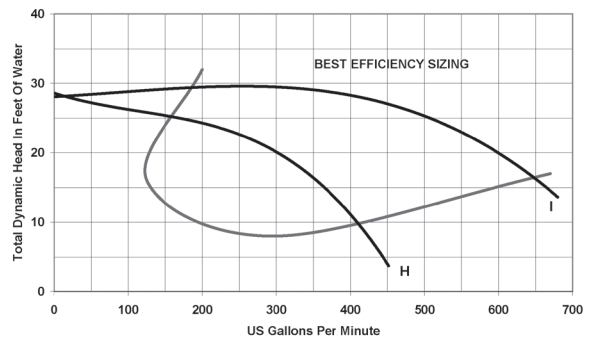
EQ Strainer Only



Three Phase Pumps - EQK Models



WaterFall Pumps - EQW & EQWK Models

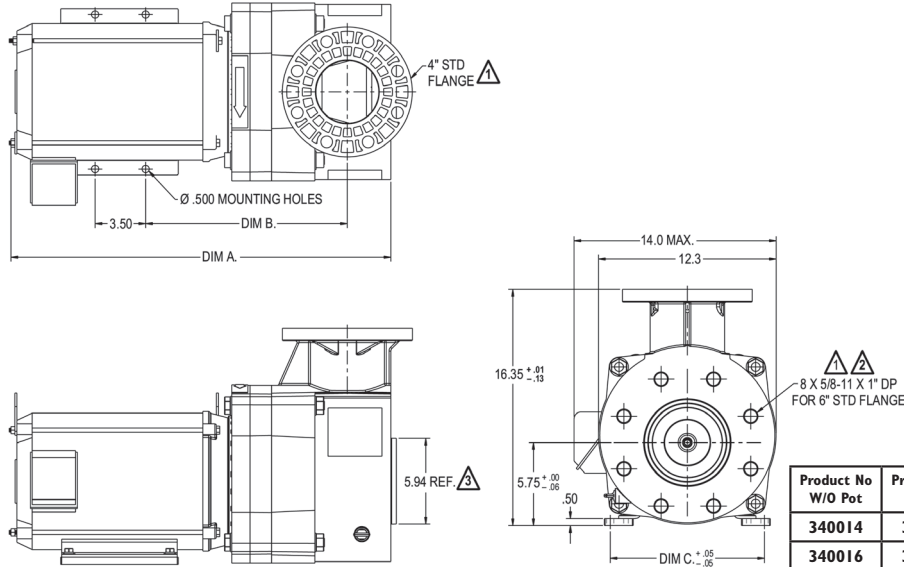


# EQ Series® Commercial Plastic Pump (Cont'd)

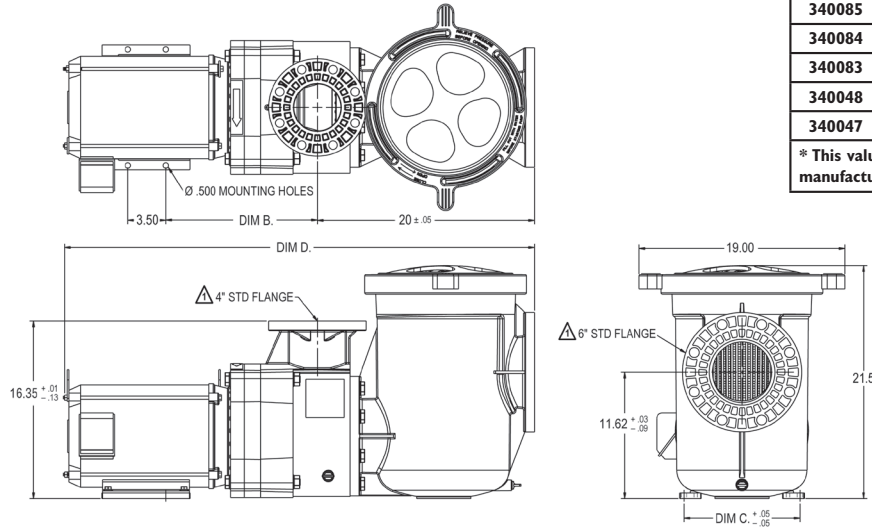
## With and Without Hair and Lint Strainer

### Dimensions and Performance

EQ Commercial Pump without Strainer



EQ Commercial Pump with Strainer



| Product No<br>W/O Pot | Product No.<br>W/Pot | Dim A* | Dim B* | Dim C* | Dim D* |
|-----------------------|----------------------|--------|--------|--------|--------|
| 340014                | 340026               | 26.62  | 13.18  | 9.69   | 43.59  |
| 340016                | 340027               | 23.12  | 13.31  | 9.69   | 40.09  |
| 340019                | 340030               | 26.62  | 13.18  | 9.69   | 43.59  |
| 340020                | 340031               | 23.12  | 13.31  | 9.69   | 40.09  |
| 340021                | 340032               | 27.53  | 13.93  | 10.69  | 44.59  |
| 340022                | 340033               | 24.50  | 13.31  | 9.69   | 41.56  |
| 340023                | 340034               | 26.31  | 13.93  | 10.69  | 43.29  |
| 340024                | 340035               | 26.31  | 13.93  | 10.69  | 43.29  |
| 340086                | 340082               | 24.32  | 13.31  | 9.69   | 41.59  |
| 340085                | 340081               | 24.62  | 13.31  | 9.69   | 41.59  |
| 340084                | 340080               | 28.31  | 13.93  | 10.69  | 45.29  |
| 340083                | 340049               | 28.31  | 13.93  | 10.69  | 45.29  |
| 340048                | 340046               | 28.31  | 13.93  | 10.69  | 45.29  |
| 340047                | 340045               | 28.31  | 13.93  | 10.69  | 45.29  |

\* This value may vary slightly depending upon manufacturer and motor design.

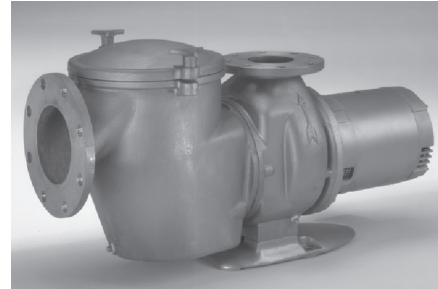
- 2 FASTENERS AND O-RING ARE INCLUDED WITH PENTAIR POOL PRODUCTS EQ 6X6 STRAINER TO CONNECT STRAINER DIRECTLY TO EQ SERIES PUMP. IF PUMP IS TO BE INSTALLED WITHOUT STRAINER MAKE BOTH CONNECTIONS PER NOTE 1.
- 1 USE ANSI CLASS 150 PLASTIC FLANGE AND 1/8 in. THICK CLASS 150 FULL FLANGE GASKET TO MAKE CONNECTION.
- 3 THIS DIAMETER FITS INSIDE 6 in. SCH 40 PIPE. DO NOT USE SCH 80 PIPE AS FINAL PIPE SIZE WHEN MAKING THIS FLANGE CONNECTION.

# C Series® Commercial Bronze Pumps With Hair and Lint Strainer



## Featured Highlights

- Large commercial pump with s/s basket
- Easy serviceability
- All-bronze construction for strength and durability
- 6 in. suction and 4 in. discharge for maximum capabilities
- Heavy-gauge stainless steel strainer basket with an open area 5 times the area of the suction port
- Closed impeller for longer motor bearing life
- Heat-resistant seal capable of operation at up to 150°
- Available in single and three-phase, 50 and 60-Hertz models



C Series® Commercial Bronze Pump

Bronze volute and pot, coated cast iron foot, flanged connections, 6 in. suction, 4 in. discharge.

## Ordering Information

| Product   | Description | Voltage | Amps      | HP    | SF   | SFHP  | Primary Listings and Certifications <sup>2</sup> | Port Size (ANSI Flange) | Carton Wt. (Lbs.) | Curve Key |
|---|-------------|---------|-----------|-------|------|-------|--|-------------------------|-------------------|-----------|
| <b>NEMA STANDARD EFFICIENCY SINGLE PHASE 230V</b>       |             |         |           |       |      |       |  |                         |                   |           |
| 011651  | CM-50       | 230     | 24.0      | 5     | 1.15 | 5.75  | NSF <sup>1</sup>                                 | 6 in. x 4 in.           | 352               | F         |
| 011656  | CH-50       | 230     | 24.0      | 5     | 1.15 | 5.75  | NSF <sup>1</sup>                                 | 6 in. x 4 in.           | 352               | A         |
| 347917  | CM-75       | 230     | 37.0      | 7-1/2 | 1.15 | 8.63  | NSF <sup>1</sup>                                 | 6 in. x 4 in.           | 375               | G         |
| 347916  | CH-75       | 230     | 37.0      | 7-1/2 | 1.15 | 8.63  | NSF <sup>1</sup>                                 | 6 in. x 4 in.           | 375               | B         |
| 347964  | CM-100      | 230     | 51.0      | 10    | 1.15 | 11.50 | NSF <sup>1</sup>                                 | 6 in. x 4 in.           | 370               | H         |
| 347963  | CH-100      | 230     | 51.0      | 10    | 1.15 | 11.50 | NSF <sup>1</sup>                                 | 6 in. x 4 in.           | 370               | C         |
| <b>NEMA STANDARD EFFICIENCY SINGLE PHASE 200 - 208V</b> |             |         |           |       |      |       |  |                         |                   |           |
| 347938  | CM-50       | 200-208 | 29.0      | 5     | 1.15 | 5.75  | NSF <sup>1</sup>                                 | 6 in. x 4 in.           | 322               | F         |
| 347939  | CH-50       | 200-208 | 29.0      | 5     | 1.15 | 5.75  | NSF <sup>1</sup>                                 | 6 in. x 4 in.           | 322               | A         |
| 348001  | CM-75       | 200-208 | 42.6      | 7-1/2 | 1.15 | 8.63  | NSF <sup>1</sup>                                 | 6 in. x 4 in.           | 375               | G         |
| 348005  | CH-75       | 200-208 | 42.6      | 7-1/2 | 1.15 | 8.63  | NSF <sup>1</sup>                                 | 6 in. x 4 in.           | 375               | B         |
| <b>NEMA STANDARD EFFICIENCY THREE PHASE 200 - 208V</b>  |             |         |           |       |      |       |  |                         |                   |           |
| 347940  | CMK-50      | 200-208 | 16.1      | 5     | 1.15 | 5.75  | NSF <sup>1</sup>                                 | 6 in. x 4 in.           | 346               | F         |
| 347941  | CHK-50      | 200-208 | 16.1      | 5     | 1.15 | 5.75  | NSF <sup>1</sup>                                 | 6 in. x 4 in.           | 350               | A         |
| 347942  | CMK-75      | 200-208 | 22.3      | 7-1/2 | 1.15 | 8.63  | NSF <sup>1</sup>                                 | 6 in. x 4 in.           | 346               | G         |
| 347943  | CHK-75      | 200-208 | 22.3      | 7-1/2 | 1.15 | 8.63  | NSF <sup>1</sup>                                 | 6 in. x 4 in.           | 346               | B         |
| 347944  | CMK-100     | 200-208 | 28.7      | 10    | 1.15 | 11.50 | NSF <sup>1</sup>                                 | 6 in. x 4 in.           | 370               | H         |
| 347945  | CHK-100     | 200-208 | 28.7      | 10    | 1.15 | 11.50 | NSF <sup>1</sup>                                 | 6 in. x 4 in.           | 356               | C         |
| 347946  | CMK-150     | 200-208 | 43.5      | 15    | 1.15 | 17.25 | NSF <sup>1</sup>                                 | 6 in. x 4 in.           | 369               | I         |
| 347947  | CHK-150     | 200-208 | 43.5      | 15    | 1.15 | 17.25 | NSF <sup>1</sup>                                 | 6 in. x 4 in.           | 350               | D         |
| 347948  | CHK-200     | 200-208 | 54.0      | 20    | 1.15 | 23.00 | NSF <sup>1</sup>                                 | 6 in. x 4 in.           | 406               | E         |
| <b>NEMA STANDARD EFFICIENCY THREE PHASE 220/440V</b>    |             |         |           |       |      |       |  |                         |                   |           |
| 011652  | CMK-50      | 220/440 | 13.0/6.5  | 5     | 1.15 | 5.75  | NSF <sup>1</sup>                                 | 6 in. x 4 in.           | 336               | F         |
| 011657  | CHK-50      | 220/440 | 13.0/6.5  | 5     | 1.15 | 5.75  | NSF <sup>1</sup>                                 | 6 in. x 4 in.           | 336               | A         |
| 011653  | CMK-75      | 220/440 | 18.4/9.2  | 7-1/2 | 1.15 | 8.63  | NSF <sup>1</sup>                                 | 6 in. x 4 in.           | 346               | G         |
| 011658  | CHK-75      | 220/440 | 18.4/9.2  | 7-1/2 | 1.15 | 8.63  | NSF <sup>1</sup>                                 | 6 in. x 4 in.           | 349               | B         |
| 011654  | CMK-100     | 220/440 | 25.3/12.6 | 10    | 1.15 | 11.50 | NSF <sup>1</sup>                                 | 6 in. x 4 in.           | 374               | H         |
| 011659  | CHK-100     | 220/440 | 25.3/12.6 | 10    | 1.15 | 11.50 | NSF <sup>1</sup>                                 | 6 in. x 4 in.           | 376               | C         |
| 011655  | CMK-150     | 220/440 | 37.5/18.8 | 15    | 1.15 | 17.25 | NSF <sup>1</sup>                                 | 6 in. x 4 in.           | 396               | I         |
| 011660  | CHK-150     | 220/440 | 37.5/18.8 | 15    | 1.15 | 17.25 | NSF <sup>1</sup>                                 | 6 in. x 4 in.           | 398               | D         |
| 011661  | CHK-200     | 220/440 | 49.0/24.6 | 20    | 1.15 | 23.00 | NSF <sup>1</sup>                                 | 6 in. x 4 in.           | 403               | E         |

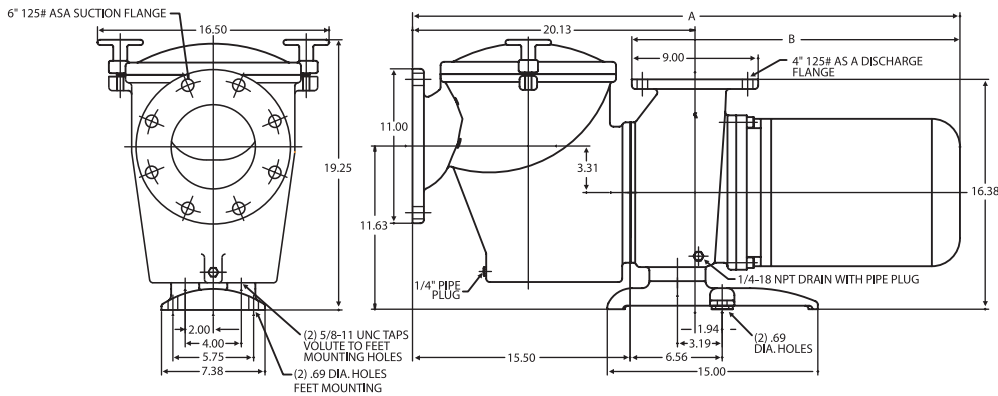
# C Series® Commercial Bronze Pumps (Cont'd)

## With Hair and Lint Strainer

| Product   | Description | Voltage | Amps      | HP    | SF   | SFHP  | Primary Listings and Certifications <sup>2</sup> | Port Size (ANSI Flange) | Carton Wt. (Lbs.) | Curve Key |
|---|-------------|---------|-----------|-------|------|-------|--|-------------------------|-------------------|-----------|
| <b>NEMA STANDARD EFFICIENCY THREE PHASE 575V</b>            |             |         |           |       |      |       |  |                         |                   |           |
| 347931  | CMK-50      | 575     | 5.6       | 5     | 1.15 | 5.75  | NSF <sup>1</sup>                                 | 6 in. x 4 in.           | 336               | F         |
| 347967  | CHK-50      | 575     | 5.6       | 5     | 1.15 | 5.75  | NSF <sup>1</sup>                                 | 6 in. x 4 in.           | 336               | A         |
| 347936  | CMK-75      | 575     | 7.7       | 7-1/2 | 1.15 | 8.63  | NSF <sup>1</sup>                                 | 6 in. x 4 in.           | 349               | G         |
| 347937  | CHK-75      | 575     | 7.7       | 7-1/2 | 1.15 | 8.63  | NSF <sup>1</sup>                                 | 6 in. x 4 in.           | 349               | B         |
| 347932  | CMK-100     | 575     | 10.0      | 10    | 1.15 | 11.50 | NSF <sup>1</sup>                                 | 6 in. x 4 in.           | 374               | H         |
| 347968  | CHK-100     | 575     | 10.0      | 10    | 1.15 | 11.50 | NSF <sup>1</sup>                                 | 6 in. x 4 in.           | 374               | C         |
| 347934  | CMK-150     | 575     | 15.2      | 15    | 1.15 | 17.25 | NSF <sup>1</sup>                                 | 6 in. x 4 in.           | 398               | I         |
| 347933  | CHK-150     | 575     | 15.2      | 15    | 1.15 | 17.25 | NSF <sup>1</sup>                                 | 6 in. x 4 in.           | 398               | D         |
| 347935  | CHK-200     | 575     | 19.5      | 20    | 1.15 | 23.00 | NSF <sup>1</sup>                                 | 6 in. x 4 in.           | 406               | E         |
| <b>NEMA STANDARD EFFICIENCY THREE PHASE 380-415V- 50 HZ</b> |             |         |           |       |      |       |  |                         |                   |           |
| 014900  | CMKL-50     | 380-415 | 7.5-6.8   | 5     | 1.15 | 5.75  |  | 6 in. x 4 in.           | 336               |           |
| 014880  | CHKL-50     | 380-415 | 7.5-6.8   | 5     | 1.15 | 5.75  |  | 6 in. x 4 in.           | 336               |           |
| 014901  | CMKL-75     | 380-415 | 11.0-10.0 | 7-1/2 | 1.00 | 7-1/2 |  | 6 in. x 4 in.           | 346               |           |
| 014881  | CHKL-75     | 380-415 | 11.0-10.0 | 7-1/2 | 1.00 | 7-1/2 |  | 6 in. x 4 in.           | 346               |           |
| 014902  | CMKL-100    | 380-415 | 14.5-14.6 | 10    | 1.15 | 11.50 |  | 6 in. x 4 in.           | 376               |           |
| 014882  | CHKL-100    | 380-415 | 14.5-14.6 | 10    | 1.15 | 11.50 |  | 6 in. x 4 in.           | 374               |           |
| 014903  | CMKL-150    | 380-415 | 20.5-19.0 | 15    | 1.15 | 17.25 |  | 6 in. x 4 in.           | 398               |           |
| 014883  | CHKL-150    | 380-415 | 20.5-19.0 | 15    | 1.15 | 17.25 |  | 6 in. x 4 in.           | 396               |           |
| 014884  | CHKL-200    | 380-415 | 28.0-26.0 | 20    | 1.15 | 23.00 |  | 6 in. x 4 in.           | 403               |           |

<sup>1</sup> 'NSF(1)' indicates that pump bears a NSF mark signifying evaluation to NSF Standard 50 For Non Self-Priming Centrifugal Pumps For Swimming Pools, Spas and Hot Tubs.

<sup>2</sup> Product may have been evaluated to other state and local regulatory standards. Listing status may change. Always confirm status with appropriate agency if in doubt.



| PUMP DIMENSIONS                        |      |       |       |  |
|--|------|-------|-------|--|
| THREE-PHASE AMPS @ 220/440 & 380/415 V |      |       |       |  |
| HP                                     | AMPS | A     | B     |  |
| 5                                      | 14   | 34.88 | 19.50 |  |
| 7.5                                    | 20   | 35.88 | 20.50 |  |
| 10                                     | 26   | 36.88 | 22.50 |  |
| 15                                     | 38   | 37.38 | 22.00 |  |
| 20                                     | 46   | 37.88 | 23.50 |  |

| PUMP DIMENSIONS               |      |       |       |  |
|-------------------------------|------|-------|-------|--|
| SINGLE-PHASE AMPS @ 230 VOLTS |      |       |       |  |
| HP                            | AMPS | A     | B     |  |
| 5                             | 26   | 35.50 | 20.50 |  |
| 7.5                           | 37   | 35.88 | 20.50 |  |

| PUMP DIMENSIONS               |      |       |       |  |
|-------------------------------|------|-------|-------|--|
| SINGLE-PHASE AMPS @ 200 VOLTS |      |       |       |  |
| HP                            | AMPS | A     | B     |  |
| 5                             | 29   | 35.50 | 20.50 |  |
| 7.5                           | 39.6 | 35.88 | 20.50 |  |

NOTES:  
 1. BOTH "A" AND "B" DIMENSIONS ARE APPROXIMATE IT DEPENDS ON MOTOR MANUFACTURER.  
 2. ALL DIMENSIONS ARE IN INCHES AND MAY VARY ± .25.

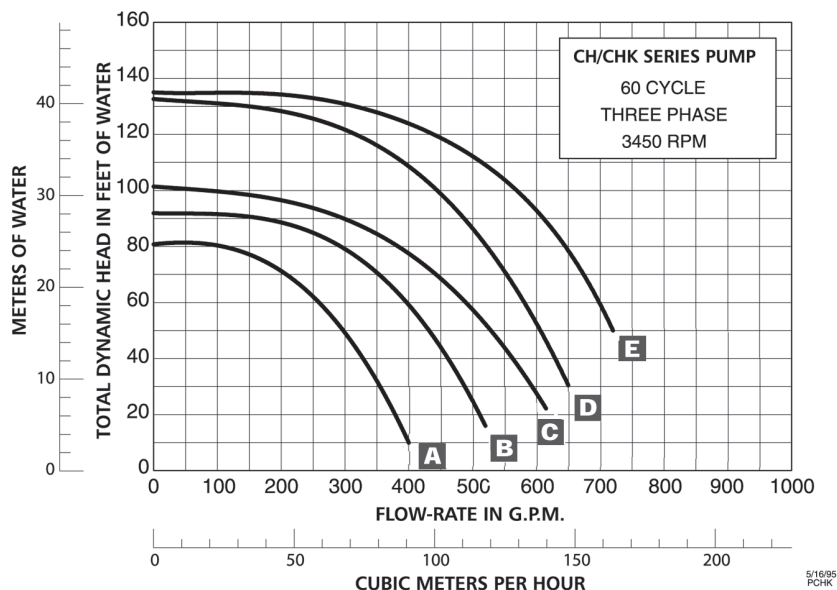


# C Series® Commercial Bronze Pumps (Cont'd)

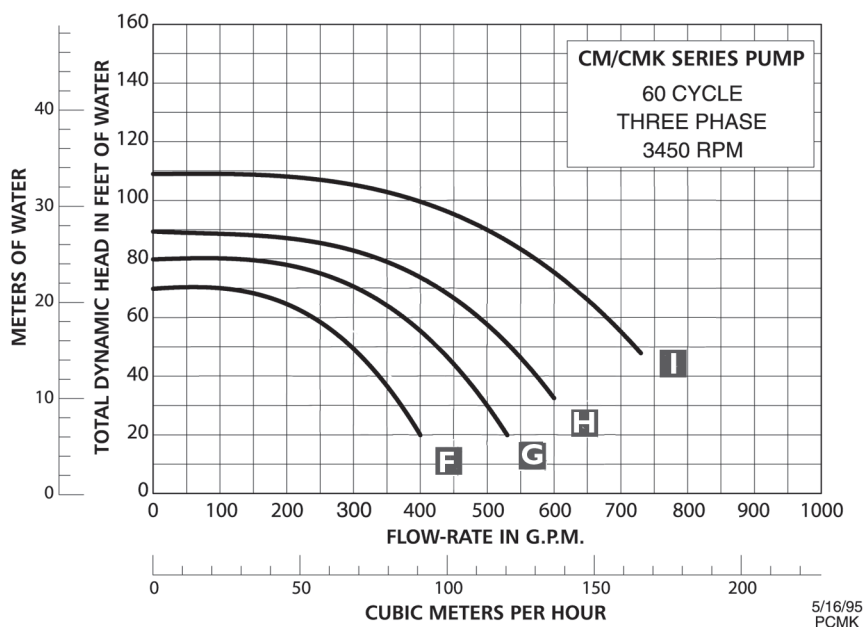
## With Hair and Lint Strainer

### Dimensions and Performance

**PUMP PERFORMANCE CURVE  
CH/CHK SERIES PUMP**



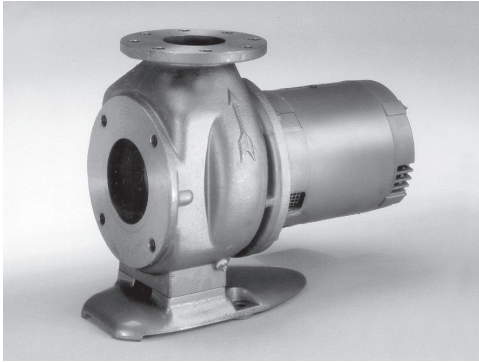
**PUMP PERFORMANCE CURVE  
CM/CMK SERIES PUMP**



See pages 488–489 for replacement parts.

# C Series® Commercial Bronze Pumps

## Without Hair and Lint Strainer



C Series® Commercial Pump  
Without Hair and Lint Strainer

Bronze construction, coated cast iron foot, flanged connections. 5 in. suction, 4 in. discharge.

### Featured Highlights

- High performance motors for maximum flow
- All-bronze construction for strength and durability
- 5 in. suction and 4 in. discharge for maximum capabilities
- Closed impeller for longer motor bearing life
- Heat-resistant seal capable of operation at up to 150°
- Available in single and three-phase, 50 and 60-hertz models

### Ordering Information

| Product   | Description | Voltage | Amps | HP    | SF   | SFHP  | Primary Listings and Certifications <sup>3</sup> | Port Size (ANSI Flange) | Carton Wt. (Lbs.) | Curve Key |
|---|-------------|---------|------|-------|------|-------|--|-------------------------|-------------------|-----------|
| <b>NEMA STANDARD EFFICIENCY SINGLE PHASE 230V</b>     |             |         |      |       |      |       |  |                         |                   |           |
| 011605  | CH-50       | 230     | 24.0 | 5     | 1.15 | 5.75  | NSF <sup>2</sup>                                 | 5 in. x 4 in.           | 302               | A         |
| 347966  | CM-100      | 230     | 51.0 | 10    | 1.15 | 11.50 | NSF <sup>2</sup>                                 | 5 in. x 4 in.           | 326               | H         |
| 347965  | CH-100      | 230     | 51.0 | 10    | 1.15 | 11.50 | NSF <sup>2</sup>                                 | 5 in. x 4 in.           | 326               | C         |
| <b>NEMA STANDARD EFFICIENCY SINGLE PHASE 200–208V</b> |             |         |      |       |      |       |  |                         |                   |           |
| 347949  | CM-50       | 200–208 | 29.0 | 5     | 1.15 | 5.75  | NSF <sup>2</sup>                                 | 5 in. x 4 in.           | 302               | F         |
| 347950  | CH-50       | 200–208 | 29.0 | 5     | 1.15 | 5.75  | NSF <sup>2</sup>                                 | 5 in. x 4 in.           | 302               | A         |
| 347961  | CM-75       | 200–208 | 42.6 | 7-1/2 | 1.15 | 8.63  | NSF <sup>2</sup>                                 | 5 in. x 4 in.           | 315               | G         |
| 347960  | CH-75       | 200–208 | 42.6 | 7-1/2 | 1.15 | 8.63  | NSF <sup>2</sup>                                 | 5 in. x 4 in.           | 315               | B         |
| <b>NEMA STANDARD EFFICIENCY THREE PHASE 200–208V</b>  |             |         |      |       |      |       |  |                         |                   |           |
| 347951  | CMK-50      | 200–208 | 16.1 | 5     | 1.15 | 5.75  | NSF <sup>2</sup>                                 | 5 in. x 4 in.           | 296               | F         |
| 347952  | CHK-50      | 200–208 | 16.1 | 5     | 1.15 | 5.75  | NSF <sup>2</sup>                                 | 5 in. x 4 in.           | 300               | A         |
| 347953  | CMK-75      | 200–208 | 22.3 | 7-1/2 | 1.15 | 8.63  | NSF <sup>2</sup>                                 | 5 in. x 4 in.           | 296               | G         |
| 347954  | CHK-75      | 200–208 | 22.3 | 7-1/2 | 1.15 | 8.63  | NSF <sup>2</sup>                                 | 5 in. x 4 in.           | 296               | B         |
| 347955  | CMK-100     | 200–208 | 28.7 | 10    | 1.15 | 11.50 | NSF <sup>2</sup>                                 | 5 in. x 4 in.           | 320               | H         |
| 347956  | CHK-100     | 200–208 | 28.7 | 10    | 1.15 | 11.50 | NSF <sup>2</sup>                                 | 5 in. x 4 in.           | 306               | C         |
| 347957  | CMK-150     | 200–208 | 43.5 | 15    | 1.15 | 17.25 | NSF <sup>2</sup>                                 | 5 in. x 4 in.           | 319               | I         |
| 347958  | CHK-150     | 200–208 | 43.5 | 15    | 1.15 | 17.25 | NSF <sup>2</sup>                                 | 5 in. x 4 in.           | 300               | D         |
| 347959  | CHK-200     | 200–208 | 54.0 | 20    | 1.15 | 23.00 | NSF <sup>2</sup>                                 | 5 in. x 4 in.           | 356               | E         |

# C Series® Commercial Bronze Pumps (Cont'd)

## Ordering Information

| Product  | Description  | Voltage | Amps      | HP    | SF   | SFHP  | Primary Listings and Certifications <sup>3</sup> | Port Size (ANSI Flange) | Carton Wt. (Lbs.) | Curve Key |
|--|--|---------|-----------|-------|------|-------|--|-------------------------|-------------------|-----------|
| <b>NEMA STANDARD EFFICIENCY THREE PHASE 220/440V</b>               |  |         |           |       |      |       |  |                         |                   |           |
| 011601   | CMK-50   | 220/440 | 13.0/6.5  | 5     | 1.15 | 5.75  | NSF <sup>2</sup>                                 | 5 in. x 4 in.           | 286               | F         |
| 011606   | CHK-50   | 220/440 | 13.0/6.5  | 5     | 1.15 | 5.75  | NSF <sup>2</sup>                                 | 5 in. x 4 in.           | 286               | A         |
| 011602   | CMK-75   | 220/440 | 18.4/9.2  | 7-1/2 | 1.15 | 8.63  | NSF <sup>2</sup>                                 | 5 in. x 4 in.           | 296               | G         |
| 011607   | CHK-75   | 220/440 | 18.4/9.2  | 7-1/2 | 1.15 | 8.63  | NSF <sup>2</sup>                                 | 5 in. x 4 in.           | 296               | B         |
| 011603   | CMK-100  | 220/440 | 25.3/12.6 | 10    | 1.15 | 11.50 | NSF <sup>2</sup>                                 | 5 in. x 4 in.           | 326               | H         |
| 011608   | CHK-100  | 220/440 | 25.3/12.6 | 10    | 1.15 | 11.50 | NSF <sup>2</sup>                                 | 5 in. x 4 in.           | 324               | C         |
| 011604   | CMK-150  | 220/440 | 37.5/18.8 | 15    | 1.15 | 17.25 | NSF <sup>2</sup>                                 | 5 in. x 4 in.           | 348               | I         |
| 011609   | CHK-150  | 220/440 | 37.5/18.8 | 15    | 1.15 | 17.25 | NSF <sup>2</sup>                                 | 5 in. x 4 in.           | 346               | D         |
| 011610   | CHK-200  | 220/440 | 49.0/24.6 | 20    | 1.15 | 23.00 | NSF <sup>2</sup>                                 | 5 in. x 4 in.           | 353               | E         |
| <b>C SERIES &amp; AURORA PUMP ACCESSORIES FLANGE ASSEMBLY KITS</b> |  |         |           |       |      |       |  |                         |                   |           |
| 357260   | Flange 5 in. w/gasket and SS hardware <sup>1</sup> |         |           |       |      |       |  |                         | 22                |           |
| 357262   | Flange 4 in. w/gasket and SS hardware <sup>1</sup> |         |           |       |      |       |  |                         | 20                |           |
| 357263   | Flange 6 in. w/gasket and SS hardware <sup>1</sup> |         |           |       |      |       |  |                         | 23                |           |

<sup>1</sup> Thermoplastic PVC socket style

<sup>2</sup> 'NSF(I)' indicates that pump bears a NSF mark signifying evaluation to NSF Standard 50 For Non Self-Priming Centrifugal Pumps For Swimming Pools, Spas and Hot Tubs.

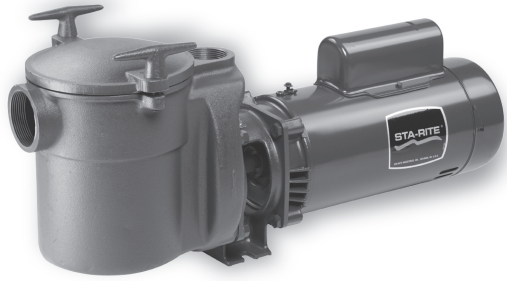
<sup>3</sup> Product may have been evaluated to other state and local regulatory standards. Listing status may change. Always confirm status with appropriate agency if in doubt.

## Dimensions and Performance

See C Series with Hair and Lint Strainer for Dimension and Performance Information.

# CF Series™ Pool Pump

## Bronze Pump



CF Series™ Bronze Pool Pump

For residential and commercial swimming pool and spa circulation. All bronze, self-priming, centrifugal-type pump with a 5 in. or 6 in. hair and lint strainer integral with pump. Available in 3/4–3 HP models. Non-clogging semi-open impeller coupled to the motor by means of an adjustable stub shaft.

### Ordering Information

| Product  | Voltage | Amps     | HP    | SF   | SFHP | Primary Listings and Certifications <sup>3</sup> | Port Size (NPT)   | Carton Wt. (Lbs.) | Curve Key |
|--|---------|----------|-------|------|------|--|-------------------|-------------------|-----------|
| <b>STANDARD EFFICIENCY SINGLE SPEED FULL RATED WITH 6 in. STRAINER</b> |         |          |       |      |      |  |                   |                   |           |
| CF6EF-81L  | 230     | 10.4     | 1-1/2 | 1.47 | 2.20 | UL <sup>2</sup>                                  | 2 in. x 1-1/2 in. | 75                | D         |
| CF6EG-82L  | 230     | 11.2     | 2     | 1.30 | 2.60 | UL <sup>2</sup>                                  | 2 in. x 1-1/2 in. | 70                | E         |
| CF6H-123   | 230     | 17.2     | 3     | 1.15 | 3.45 |  | 2 in. x 1-1/2 in. | 72                | F         |
| <b>STANDARD EFFICIENCY SINGLE SPEED UP RATED WITH 5 in. STRAINER</b>   |         |          |       |      |      |  |                   |                   |           |
| CFAD-75DL  | 115/230 | 12.4/6.2 | 3/4   | 1.27 | .95  | UL <sup>2</sup>                                  | 2 in. x 1-1/2 in. | 46                | A         |
| CFAE-79DL  | 115/230 | 15.4/7.7 | 1     | 1.25 | 1.25 | UL <sup>2</sup>                                  | 2 in. x 1-1/2 in. | 54                | B         |
| CFAF-80DL  | 115/230 | 18.2/9.1 | 1-1/2 | 1.10 | 1.65 | UL <sup>2</sup>                                  | 2 in. x 1-1/2 in. | 55                | C         |
| CFAEG-81DL   | 230     | 10.4     | 2     | 1.10 | 2.20 | UL <sup>1</sup>                                  | 2 in. x 1-1/2 in. | 63                | D         |
| CFAAEG-82DL  | 230     | 11.2     | 2-1/2 | 1.04 | 2.60 | UL <sup>1</sup>                                  | 2 in. x 1-1/2 in. | 67                | E         |
| <b>ENERGY EFFICIENT SINGLE SPEED FULL RATED - 3 PHASE</b>              |         |          |       |      |      |  |                   |                   |           |
| CF6H3-123  | 230/460 | 9.0/4.5  | 3     | 1.15 | 3.45 |  | 2 in. x 1-1/2 in. | 58                | F         |

<sup>1</sup> 'UL(1)' indicates that pump bears a specific UL mark signifying evaluation to U.S. Standards ULI081 for Permanently Connected Swimming Pool and Spa Pumps and to Canadian Standards CAN/CSA C22.2 No. 108-01 Liquid Pumps For Swimming Pools And Spas. (Enclosure 3).

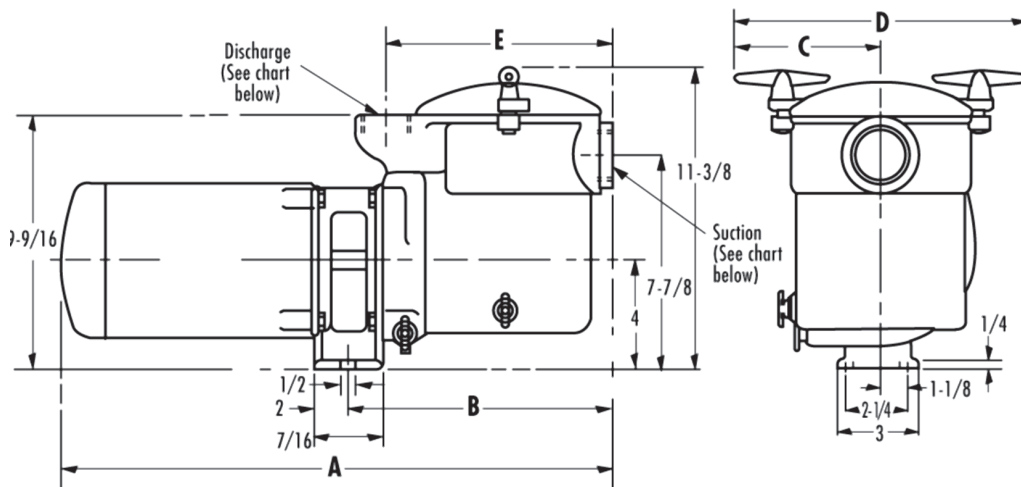
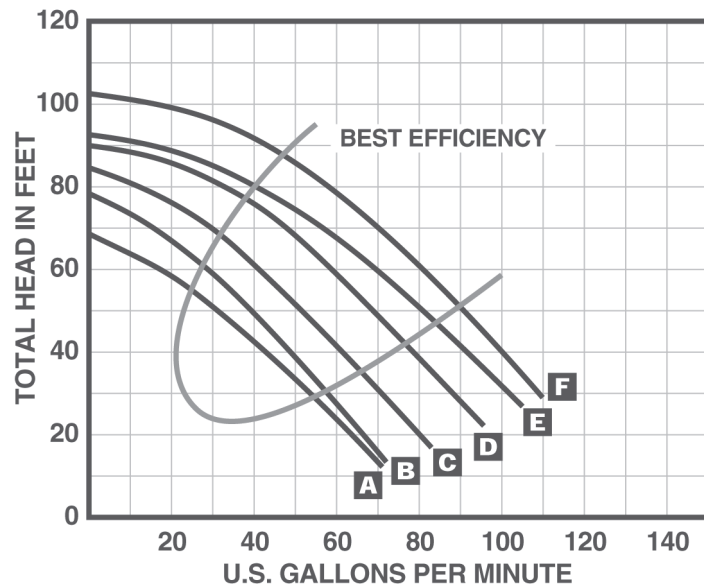
<sup>2</sup> 'UL(2)' indicates that pump bears a UL mark signifying evaluation to U.S. Standards ULI081 for Permanently Connected Swimming Pool And Spa Pumps.

<sup>3</sup> Product may have been evaluated to other state and local regulatory standards. Listing status may change. Always confirm status with appropriate agency if in doubt.

# CF Series™ Pool Pump (Cont'd)

## Bronze Pump

### Dimensions and Performance



| Catalog Number | A        | B       | C     | D      | E      |
|----------------|----------|---------|-------|--------|--------|
| CF6EF-81L      | 22-7/8   | 8-5/8   | 4-7/8 | 10-3/4 | 8-9/16 |
| CF6EG-82L      | 23-13/16 | 8-15/16 | 5-3/8 | 10-3/4 | 8-9/16 |
| CF6H-123       | 23-1/2   | 8-15/16 | 5-3/8 | 10-3/4 | 8-9/16 |
| CF6H3-123      | 21-15/16 | 8-15/16 | 5-3/8 | 10-3/4 | 9-9/16 |
| CFAD-75DL      | 21-7/16  | 8-5/8   | 4-7/8 | 9-3/4  | 7-5/16 |
| CFAE-79DL      | 21-13/16 | 8-5/8   | 4-7/8 | 9-3/4  | 7-5/16 |
| CFAF-80DL      | 22-15/16 | 8-5/8   | 4-7/8 | 9-3/4  | 7-5/16 |
| CFAEG-81DL     | 22-9/16  | 8-5/8   | 4-7/8 | 9-3/4  | 7-5/16 |
| CFAAEG-82DL    | 23-1/2   | 8-5/8   | 4-7/8 | 9-3/4  | 7-5/16 |

See pages 490–491 for replacement parts.

# C/CC Series™ Commercial Pool Pump

## Bronze or Cast Iron



C/CC Series™ Commercial Pool Pump

For semi-commercial and commercial swimming pool and spa recirculation. Available in high head and medium head models, providing a complete range of performance characteristics. Available in 3–5 HP models with 2-1/2 in. NPT suction and 2 in. NPT discharge ports. (Non self-primer, requires flooded suction installation.) Motors are open drip-proof, continuous duty rated 3450 RPM.

### Ordering Information

| Product                         | Voltage | Amps <sup>3</sup> | HP | Primary Listings and Certifications <sup>2</sup> | Port Size (NPT)   | Carton Wt. (Lbs.) | Curve Key |
|---------------------------------|---------|-------------------|----|--|-------------------|-------------------|-----------|
| <b>SINGLE PHASE CAST BRONZE</b> |         |                   |    |  |                   |                   |           |
| CMH-136                         | 230     | 14.0              | 3  | NSF <sup>1</sup>                                 | 2-1/2 in. x 2 in. | 111               | B         |
| CHH-137                         | 230     | 14.0              | 3  | NSF <sup>1</sup>                                 | 2-1/2 in. x 2 in. | 116               | A         |
| CHJ-138                         | 230     | 21.5              | 5  | NSF <sup>1</sup>                                 | 2-1/2 in. x 2 in. | 131               | C         |
| <b>SINGLE PHASE CAST IRON</b>   |         |                   |    |  |                   |                   |           |
| CCMH-136S                       | 230     | 14.0              | 3  | NSF <sup>1</sup>                                 | 2-1/2 in. x 2 in. | 106               | B         |
| CCHH-137S                       | 230     | 14.0              | 3  | NSF <sup>1</sup>                                 | 2-1/2 in. x 2 in. | 106               | A         |
| CCHJ-138                        | 230     | 21.5              | 5  | NSF <sup>1</sup>                                 | 2-1/2 in. x 2 in. | 126               | C         |
| <b>THREE PHASE CAST BRONZE</b>  |         |                   |    |  |                   |                   |           |
| CMH3-136                        | 230/460 | 16.6/8.0          | 3  | NSF <sup>1</sup>                                 | 2-1/2 in. x 2 in. | 91                | B         |
| CHH3-137                        | 230/460 | 16.6/8.0          | 3  | NSF <sup>1</sup>                                 | 2-1/2 in. x 2 in. | 91                | A         |
| CHJ3-138                        | 230/460 | 27.6/12.0         | 5  | NSF <sup>1</sup>                                 | 2-1/2 in. x 2 in. | 115               | C         |
| <b>THREE PHASE CAST IRON</b>    |         |                   |    |  |                   |                   |           |
| CCMH3-136S                      | 230/460 | 16.6/8.0          | 3  | NSF <sup>1</sup>                                 | 2-1/2 in. x 2 in. | 86                | B         |
| CCHH3-137S                      | 230/460 | 16.6/8.0          | 3  | NSF <sup>1</sup>                                 | 2-1/2 in. x 2 in. | 86                | A         |
| CCHJ3-138S                      | 230/460 | 27.6/12.0         | 5  |  | 2-1/2 in. x 2 in. | 110               | C         |

\* 200 Volt models available. Contact factory for availability.

<sup>1</sup> 'NSF(I)' indicates that pump bears a NSF mark signifying evaluation to NSF Standard 50 For Self-Priming Centrifugal Pumps For Swimming Pools, Spas and Hot Tubs when installed with a NSF certified Hair and Lint Strainer.

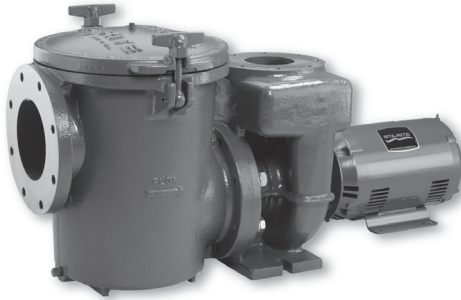
<sup>2</sup> Product may have been evaluated to other state and local regulatory standards. Listing status may change. Always confirm status with appropriate agency if in doubt.

<sup>3</sup> Dimensions and Max Load Amps may vary per motor manufacturer.



# CSP/CCSP Series™ Commercial Pump

## Commercial Self-Priming Pump



Especially designed for commercial and public swimming pools and spas, aquatic facilities, water parks and fountain applications where high performance and self-priming are required. Pump has enclosed bronze impeller and standard 6 in. x 4 in. A.N.S.I. flange connections (D.I.N. option available for 50 Hz models). The pump strainer (order separately) has capacity of 1,100 cubic inches. Both pump and strainer can be ordered with optional epoxy coated castings to provide additional performance and corrosion resistance.

CSP/CCSP Series™ Commercial Self-Priming Pump

### Ordering Information

| Product  | Voltage  | Amps <sup>1</sup> | HP    | SF   | SFHP  | Primary Listings and Certifications <sup>4</sup> | Port Size (ANSI Flange) | Carton Wt. (Lbs.) | Curve Key |
|--|--|-------------------|-------|------|-------|--|-------------------------|-------------------|-----------|
| <b>NEMA STANDARD EFFICIENCY SINGLE PHASE CAST IRON</b>                     |  |                   |       |      |       |  |                         |                   |           |
| CSPHK-142  | 230  | 39                | 7.5   | 1.15 | 8.63  | NSF <sup>2</sup>                                 | 6 in. x 4 in.           | 270               | A         |
| CSPHL-143  | 230  | 46                | 10    | 1.15 | 11.50 | NSF <sup>2</sup>                                 | 6 in. x 4 in.           | 275               | B         |
| <b>NEMA STANDARD EFFICIENCY SINGLE PHASE EPOXY COATED CAST IRON</b>        |  |                   |       |      |       |  |                         |                   |           |
| CCSPHK-142   | 230  | 39                | 7.5   | 1.15 | 8.63  | NSF <sup>2</sup>                                 | 6 in. x 4 in.           | 270               | E         |
| CCSPHL-143   | 230  | 46                | 10    | 1.15 | 11.50 | NSF <sup>2</sup>                                 | 6 in. x 4 in.           | 275               | F         |
| <b>NEMA STANDARD EFFICIENCY THREE PHASE CAST IRON</b>                      |  |                   |       |      |       |  |                         |                   |           |
| CSPHK3-142   | 208-230/460  | 21.2-19.2/9.6     | 7-1/2 | 1.25 | 9.38  | NSF <sup>2</sup>                                 | 6 in. x 4 in.           | 265               | A         |
| CSPHL3-143   | 208-230/460  | 27.6-24.4/12.2    | 10    | 1.25 | 12.50 | NSF <sup>2</sup>                                 | 6 in. x 4 in.           | 270               | B         |
| CSPHM3-144   | 208-230/460  | 44.2-40/20        | 15    | 1.25 | 18.75 | NSF <sup>2</sup>                                 | 6 in. x 4 in.           | 280               | C         |
| CSPHN3-145   | 208-230/460  | 55.3-50/25        | 20    | 1.25 | 25.00 | NSF <sup>2</sup>                                 | 6 in. x 4 in.           | 325               | D         |
| <b>NEMA STANDARD EFFICIENCY THREE PHASE CAST IRON - 200V</b>               |  |                   |       |      |       |  |                         |                   |           |
| CSPH2K3-142  | 200  | 22.1              | 7-1/2 | 1.15 | 8.63  | NSF <sup>2</sup>                                 | 6 in. x 4 in.           | 265               | A         |
| CSPH2L3-143  | 200  | 28.1              | 10    | 1.25 | 12.50 | NSF <sup>2</sup>                                 | 6 in. x 4 in.           | 270               | B         |
| CSPH2M3-144  | 200  | 42.3              | 15    | 1.25 | 18.75 | NSF <sup>2</sup>                                 | 6 in. x 4 in.           | 280               | C         |
| CSPH2N3-145  | 200  | 57.3              | 20    | 1.25 | 25.00 | NSF <sup>2</sup>                                 | 6 in. x 4 in.           | 350               | D         |
| <b>NEMA STANDARD EFFICIENCY THREE PHASE EPOXY COATED CAST IRON</b>         |  |                   |       |      |       |  |                         |                   |           |
| CCSPHK3-142  | 208-230/460  | 21.2-19.2/9.6     | 7-1/2 | 1.25 | 9.38  | NSF <sup>2</sup>                                 | 6 in. x 4 in.           | 265               | E         |
| CCSPHL3-143  | 208-230/460  | 27.6-24.4/12.2    | 10    | 1.25 | 12.50 | NSF <sup>2</sup>                                 | 6 in. x 4 in.           | 270               | F         |
| CCSPHM3-144  | 208-230/460  | 44.2-40/20        | 15    | 1.25 | 18.75 | NSF <sup>2</sup>                                 | 6 in. x 4 in.           | 280               | G         |
| CCSPHN3-145  | 208-230/460  | 55.3-50/25        | 20    | 1.25 | 25.00 | NSF <sup>2</sup>                                 | 6 in. x 4 in.           | 325               | H         |
| <b>NEMA STANDARD EFFICIENCY THREE PHASE EPOXY COATED CAST IRON - 200 V</b> |  |                   |       |      |       |  |                         |                   |           |
| CCSPH2K3-142   | 200  | 22.1              | 7-1/2 | 1.15 | 8.63  | NSF <sup>2</sup>                                 | 6 in. x 4 in.           | 265               | E         |
| CCSPH2L3-143   | 200  | 28.1              | 10    | 1.25 | 12.50 | NSF <sup>2</sup>                                 | 6 in. x 4 in.           | 270               | F         |
| CCSPH2M3-144   | 200  | 42.3              | 15    | 1.25 | 18.75 | NSF <sup>2</sup>                                 | 6 in. x 4 in.           | 280               | G         |
| CCSPH2N3-145   | 200  | 57.3              | 20    | 1.25 | 25.00 | NSF <sup>2</sup>                                 | 6 in. x 4 in.           | 350               | H         |
| <b>ACCESSORIES FOR CSP/CCSP SERIES</b>                                     |  |                   |       |      |       |  |                         |                   |           |
| PKG 184  | Strainer for CSP/CCSP 6 in. ANSI flange (1,100 cu. in. capacity) |                   |       |      |       | NSF <sup>3</sup>                                 | 6 in. x 6 in.           | 180               | I         |
| PKG 184C   | Same as PKG 184 Except Strainer is Epoxy Coated                  |                   |       |      |       | NSF <sup>3</sup>                                 | 6 in. x 6 in.           | 180               | I         |
| 357262   | Flange 4 in. w/gasket and SS hardware <sup>5</sup>               |                   |       |      |       |  |                         | 20                |           |
| 357263   | Flange 6 in. w/gasket and SS hardware <sup>5</sup>               |                   |       |      |       |  |                         | 23                |           |

<sup>1</sup> Amp draw may vary depending on motor manufacturer.

<sup>2</sup> 'NSF(1)' indicates that pump bears a NSF mark signifying evaluation to NSF Standard 50 For Self-Priming Centrifugal Pumps For Swimming Pools And Spas.

<sup>3</sup> 'NSF(2)' indicates that product bears a NSF mark signifying evaluation to NSF Standard 50 For Materials and Components.

<sup>4</sup> Product may have been evaluated to other state and local regulatory standards. Listing status may change. Always confirm status with appropriate agency if in doubt.

<sup>5</sup> Thermoplastic PVC socket style.



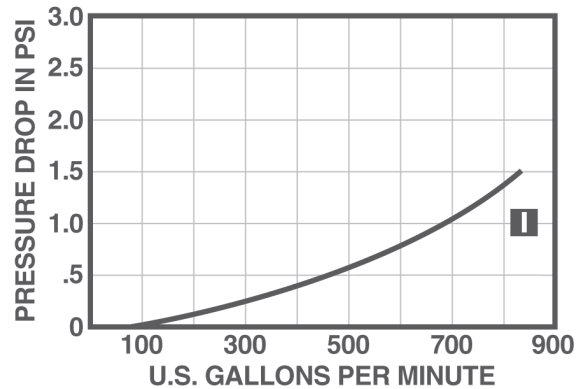
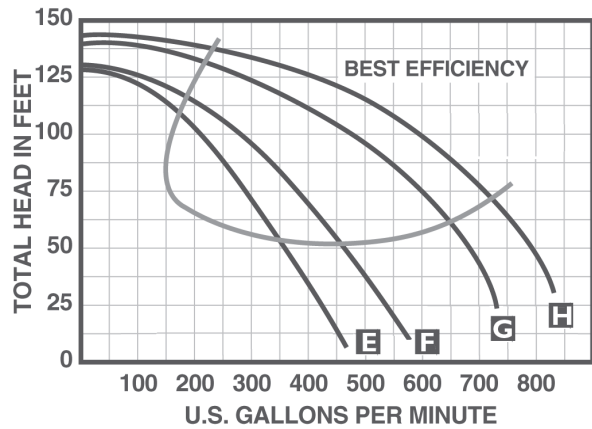
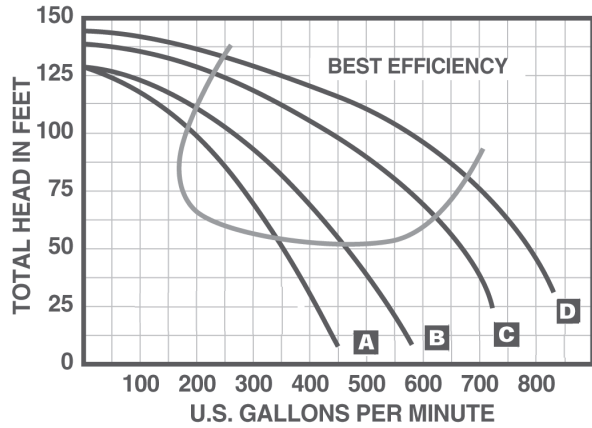
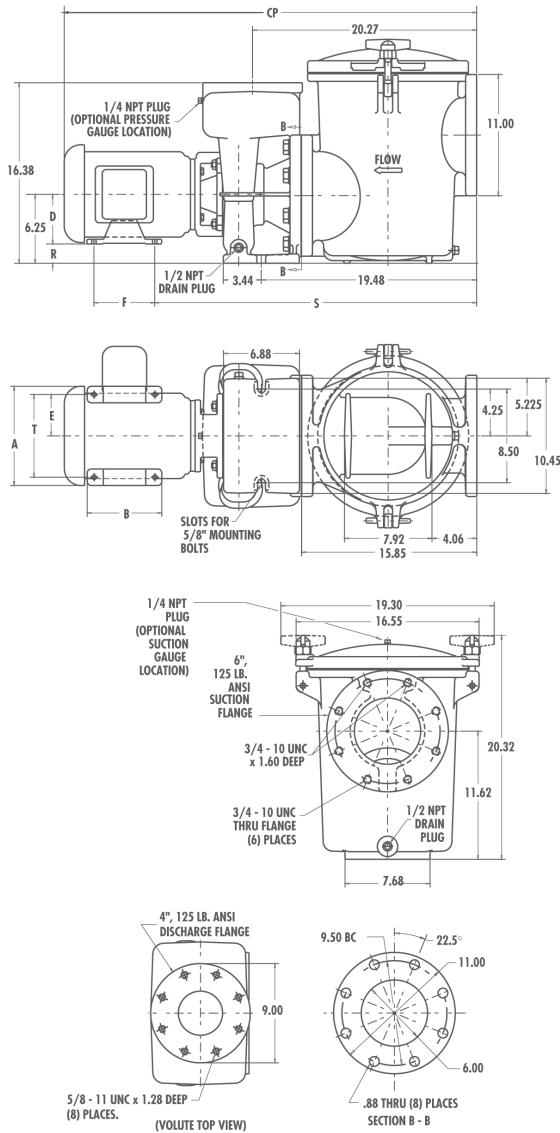
# CSP/CCSP Series™ Commercial Pump (Cont'd)

## Commercial Self-Priming Pump

Options: CCSP Models feature special epoxy coated castings for maximum performance and corrosion resistance. 60 Hz T.E.F.C., 60 Hz premium efficiency, or 575 volt motors available.

Note: Maximum ambient temperature for motor is 104°F (40°C). All pump motors require external overload protection (magnetic starter). Pump strainer must be ordered separately. Full load amps on motor model plate.

### Dimensions and Performance



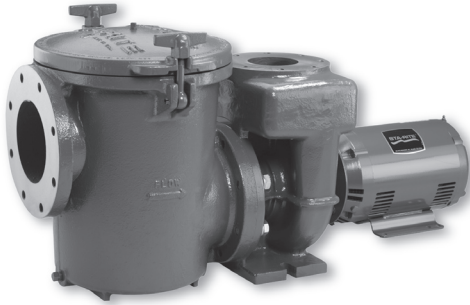
| Catalog Number           | A     | B     | CP    | D    | E    | F     | R    | S     | T     |
|--------------------------|-------|-------|-------|------|------|-------|------|-------|-------|
| CSPHK, CCSPHK            | 10.62 | 7.00  | 39.44 | 5.25 | 4.25 | 5.50  | 1.00 | 30.00 | 8.50  |
| CSPHK3, CCSPHK3, CSPH2K3 | 9.00  | 6.75  | 40.31 | 4.50 | 3.75 | 5.50  | 1.75 | 29.13 | 7.50  |
| CSPHL, CCSPHL            | 10.35 | 8.26  | 42.69 | 5.25 | 4.25 | 7.00  | 1.00 | 30.00 | 8.50  |
| CSPHL3, CCSPHL3          | 10.62 | 7.00  | 41.00 | 5.25 | 4.25 | 5.50  | 1.00 | 30.00 | 8.50  |
| CSPHM3, CCSPHM3          | 10.62 | 8.50  | 42.50 | 5.25 | 4.25 | 7.00  | 1.00 | 30.00 | 8.50  |
| CSPH2L3, CSPH2M3         | 10.62 | 8.50  | 42.50 | 5.25 | 4.25 | 7.00  | 1.00 | 30.00 | 8.50  |
| CSPHN3, CCSPHN3          | 12.50 | 10.80 | 46.75 | 6.25 | 5.00 | 8.20  | 0.00 | 31.62 | 10.00 |
| CSPH2N3, CCSPH2N3        | 13.38 | 12.44 | 48.50 | 6.25 | 5.00 | 10.00 | 0.00 | 31.65 | 10.00 |

All dimensions shown in inches.

See page 494 for replacement parts.

# 5CSP/5CCSP Series™ Commercial Pump

## Commercial Self-Priming Pump



Especially designed for commercial and public swimming pools and spas, aquatic facilities, water parks and fountain applications where high performance and self-priming are required. Pump has enclosed bronze impeller and standard 6 in. x 4 in. A.N.S.I. flange connections. The pump strainer (order separately) has capacity of 1,100 cubic inches. Both pump and strainer can be ordered with optional epoxy coated castings to provide additional performance and corrosion resistance.

Note: 50 hertz pumps cannot be used in North America.

### 5CSP/5CCSP Series™ Commercial Self-Priming Pump

## Ordering Information

| Product  | Voltage  | Amps <sup>1</sup>   | HP    | SF   | SFHP  | Primary Listings and Certifications <sup>3</sup> | Port Size (ANSI Flange) | Carton Wt. (Lbs.) | Curve Key |
|--|--|---------------------|-------|------|-------|--|-------------------------|-------------------|-----------|
| <b>SINGLE PHASE CAST IRON WITHOUT STRAINER- 50 HZ</b>              |  |                     |       |      |       |  |                         |                   |           |
| 5CSPHJ-142   | 220-240  | 35.5-32.5           | 5     | 1.00 | 5     |  | 6 in. x 4 in.           | 270               | A         |
| 5CSPHK-143   | 220-240  | 43.0-39.4           | 7-1/2 | 1.00 | 7-1/2 |  | 6 in. x 4 in.           | 280               | B         |
| <b>THREE PHASE CAST IRON WITHOUT STRAINER- 50 HZ</b>               |  |                     |       |      |       |  |                         |                   |           |
| 5CSPHJ3-142  | 220-240/380-415  | 13.0/6.9            | 5     | 1.00 | 5     |  | 6 in. x 4 in.           | 260               | A         |
| 5CSPHK3-143  | 220-240/380-415  | 20.7-21.5/12.0/12.4 | 7-1/2 | 1.00 | 7-1/2 |  | 6 in. x 4 in.           | 270               | B         |
| 5CSPHL3-144  | 220-240/380-415  | 27.0-27.5/15.6-15.9 | 10    | 1.00 | 10    |  | 6 in. x 4 in.           | 280               | C         |
| 5CSPHM3-145  | 220-240/380-415  | 38.9-20.6           | 15    | 1.00 | 15    |  | 6 in. x 4 in.           | 300               | D         |
| <b>THREE PHASE EPOXY COATED CAST IRON WITHOUT STRAINER - 50 HZ</b> |  |                     |       |      |       |  |                         |                   |           |
| 5CCSPHJ3-142   | 220-240/380-415  | 13.0/6.9            | 5     | 1.00 | 5     |  | 6 in. x 4 in.           | 260               | A         |
| 5CCSPHK3-143   | 220-240/380-415  | 20.7-11.0           | 7-1/2 | 1.00 | 7-1/2 |  | 6 in. x 4 in.           | 270               | B         |
| 5CCSPHL3-144   | 220-240/380-415  | 26.9-14.3           | 10    | 1.00 | 10    |  | 6 in. x 4 in.           | 280               | C         |
| 5CCSPHM3-145   | 220-240/380-415  | 38.9-20.6           | 15    | 1.00 | 15    |  | 6 in. x 4 in.           | 300               | D         |
| <b>ACCESSORIES FOR 5CSP/5CCSP SERIES</b>                           |  |                     |       |      |       |  |                         |                   |           |
| PKG 184  | Strainer for CSP/CCSP 6 in. ANSI flange (1,100 cu. in. capacity) |                     |       |      |       | NSF <sup>4</sup>                                 | 6 in. x 6 in.           | 180               | I         |
| PKG 184C   | Same as PKG 184 Except Strainer is Epoxy Coated                  |                     |       |      |       | NSF <sup>4</sup>                                 | 6 in. x 6 in.           | 180               | I         |
| 357262   | Flange 4 in. w/gasket and SS hardware <sup>2</sup>               |                     |       |      |       |  |                         | 20                |           |
| 357263   | Flange 6 in. w/gasket and SS hardware <sup>2</sup>               |                     |       |      |       |  |                         | 23                |           |

<sup>1</sup> Amp draw may vary depending on motor manufacturer. Full load amps on motor model plate.

<sup>2</sup> Thermoplastic PVC socket style.

<sup>3</sup> Product may have been evaluated to other state and local regulatory standards. Listing status may change. Always confirm status with appropriate agency if in doubt.

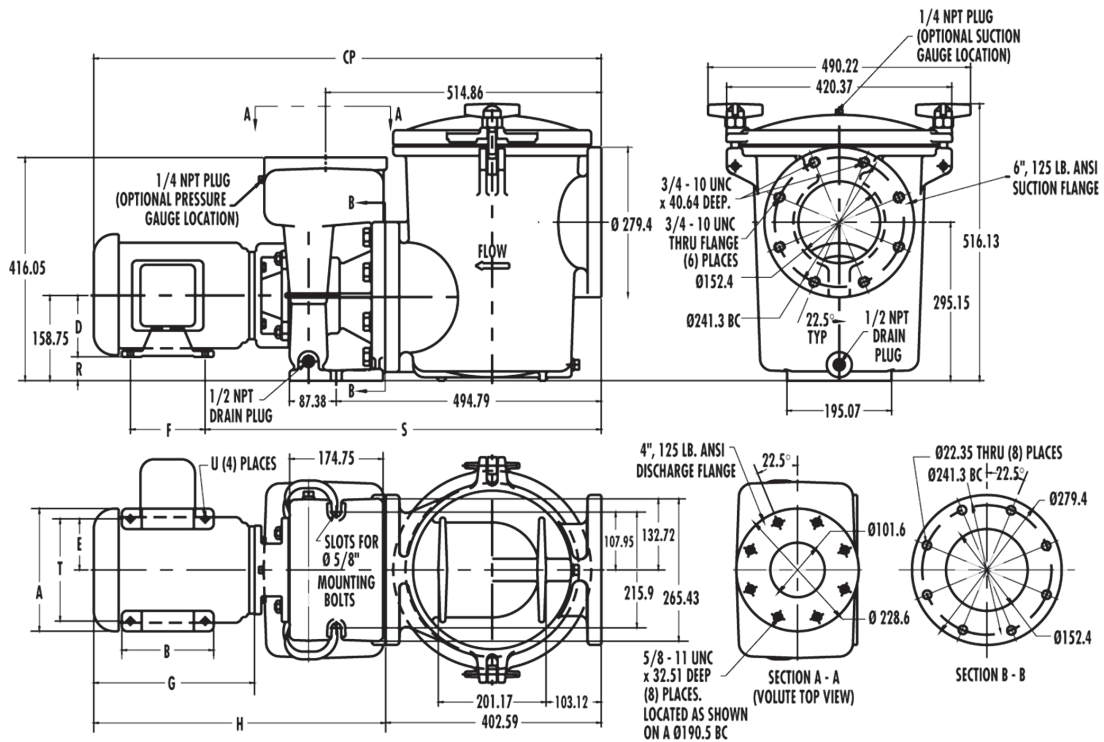
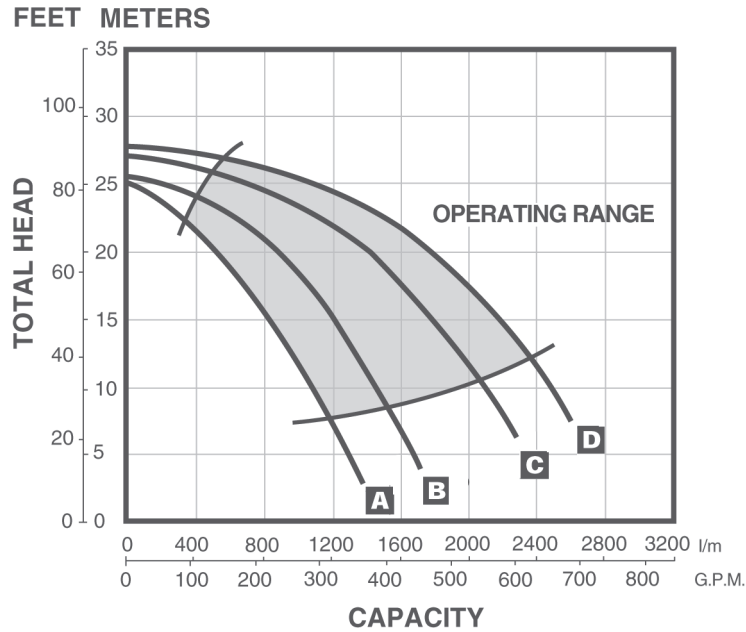
<sup>4</sup> 'NSF(2)' indicates that product bears a NSF mark signifying evaluation to NSF Standard 50 For Materials and Components.

Note: For Strainer Packages, See page 212.

# 5CSP/5CCSP Series™ Commercial Pump (Cont'd)

## Commercial Self-Priming Pump

### Dimensions and Performance



| Catalog Number | A      | B      | CP      | D      | E      | F      | R     | S      | T     |
|----------------|--------|--------|---------|--------|--------|--------|-------|--------|-------|
| 5CSPHJ         | 269.75 | 177.8  | 1039.62 | 133.25 | 107.95 | 139.7  | 25.4  | 733.3  | 215.9 |
| 5CSPHK         | 269.75 | 215.9  | 1075.69 | 133.25 | 107.95 | 177.8  | 25.4  | 733.3  | 215.9 |
| 5CSPHJ3        | 228.6  | 171.45 | 988.82  | 133.25 | 95.25  | 139.7  | 44.45 | 734.06 | 190.5 |
| 5CSPHK3        | 269.75 | 177.8  | 1039.62 | 133.25 | 107.95 | 139.7  | 25.4  | 733.3  | 215.9 |
| 5CSPHL3        | 269.75 | 215.9  | 1075.69 | 133.25 | 107.95 | 177.8  | 25.4  | 733.3  | 215.9 |
| 5CSPHM3        | 317.5  | 274.32 | 1185.67 | 158.75 | 127.0  | 209.55 | -     | 793.75 | 254.0 |

All dimensions shown in millimeters.

# D-Series™ Commercial Pool Pump

## Cast Iron Self-Priming Centrifugal Commercial Pool Pump



D Series™ Cast Iron Self-Priming Centrifugal Commercial Pool Pump

Especially designed for commercial and public swimming pools and spas, aquatic facilities, water parks and fountain applications where high performance and self-priming characteristics are desired. These self-priming, high performance pumps are available in high head and medium head models, providing a complete range of performance characteristics. Motors are open drip-proof, continuous duty rated 3450 RPM.

### Ordering Information

| Product                                 | Voltage | Amps <sup>1</sup> | HP | Primary Listings and Certifications <sup>3</sup> | Port Size (NPT) | Carton Wt. (Lbs.) | Curve Key |
|---|---------|-------------------|----|--|-----------------|-------------------|-----------|
| <b>STANDARD EFFICIENCY SINGLE PHASE</b> |         |                   |    |  |                 |                   |           |
| DHH-169                                 | 230     | 17                | 3  | NSF <sup>2</sup>                                 | 1-1/2 in.       | 135               | A         |
| DMH-171                                 | 230     | 17                | 3  | NSF <sup>2</sup>                                 | 2 in.           | 135               | C         |
| DHJ-170                                 | 230     | 28                | 5  | NSF <sup>2</sup>                                 | 2 in.           | 178               | B         |
| DMJ-172                                 | 230     | 28                | 5  | NSF <sup>2</sup>                                 | 2-1/2 in.       | 178               | D         |
| <b>STANDARD EFFICIENCY THREE PHASE</b>  |         |                   |    |  |                 |                   |           |
| DHH3-169                                | 230/460 | 10.6-9.6/4.8      | 3  | NSF <sup>2</sup>                                 | 1-1/2 in.       | 135               | A         |
| DMH3-171                                | 230/460 | 10.6-9.6/4.8      | 3  | NSF <sup>2</sup>                                 | 2 in.           | 135               | C         |
| DHJ3-170                                | 230/460 | 16.8-15.2/7.6     | 5  | NSF <sup>2</sup>                                 | 2 in.           | 178               | B         |
| DMJ3-172                                | 230/460 | 16.8-15.2/7.6     | 5  | NSF <sup>2</sup>                                 | 2-1/2 in.       | 178               | D         |

\* 200 Volt models available. Contact factory for details.

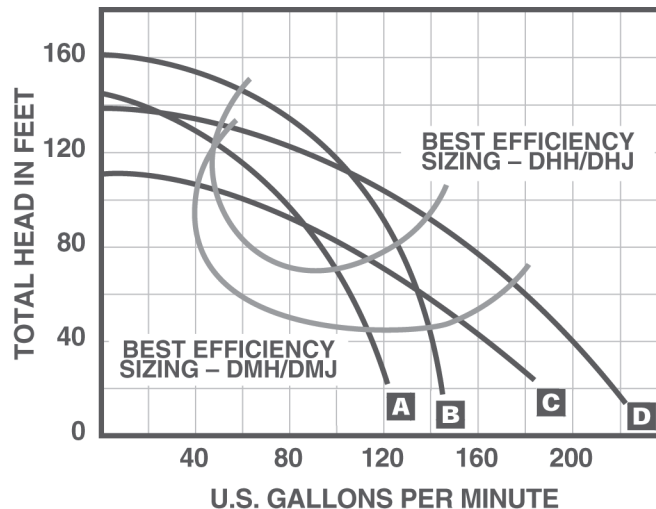
<sup>1</sup> Dimensions and Max Load Amps may vary per motor manufacturer.

<sup>2</sup> 'NSF(I)' indicates that pump bears a NSF mark signifying evaluation to NSF Standard 50 For Self-Priming Centrifugal Pumps For Swimming Pools, Spas and Hot Tubs when installed with a NSF certified Hair and Lint Strainer.

<sup>3</sup> Product may have been evaluated to other state and local regulatory standards. Listing status may change. Always confirm status with appropriate agency if in doubt.

Note: See page 212 for Hair and Lint Strainer Packages.

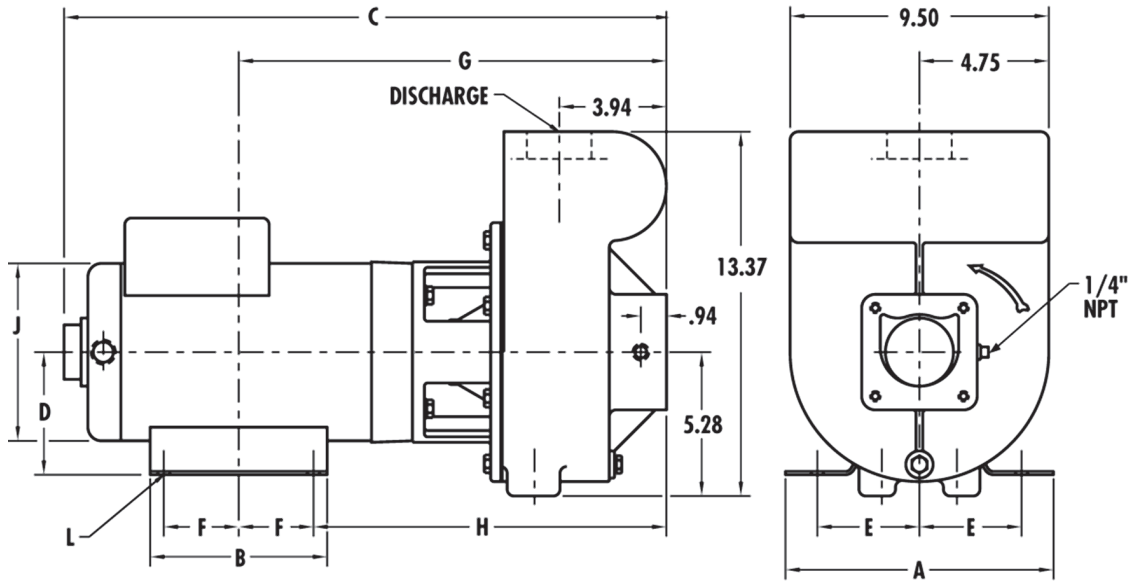
### Dimensions and Performance



# D-Series™ Commercial Pool Pump (Cont'd)

## Cast Iron Self-Priming Centrifugal Commercial Pool Pump

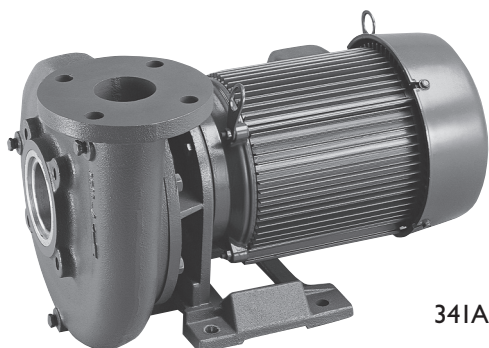
### Dimensions and Performance



Note: "L" mounting dimension: .44 Slot = 3/8 in. Bolt .34 Diameter = 5/16 in.

| Catalog Number | HP | Discharge (NPT) | A    | B    | C*    | D    | E    | F    | G     | H     | J    | L        |
|----------------|----|-----------------|------|------|-------|------|------|------|-------|-------|------|----------|
| DHH-169        | 3  | 1-1/2           | 8.75 | 6.50 | 21.37 | 4.50 | 3.75 | 2.25 | 15.21 | 12.96 | 6.51 | .44 SLOT |
| DHH3-169       | 3  | 1-1/2           | 6.50 | 6.50 | 19.87 | 3.50 | 2.75 | 2.50 | 14.45 | 12.20 | 6.51 | .34 DIA. |
| DHJ-172        | 5  | 2               | 8.75 | 6.50 | 22.12 | 4.50 | 3.75 | 2.75 | 15.71 | 12.96 | 6.51 | .44 SLOT |
| DHJ3-172       | 5  | 2               | 8.75 | 6.50 | 21.62 | 4.50 | 3.75 | 2.25 | 15.21 | 12.96 | 6.50 | .44 SLOT |
| DMH-171        | 3  | 2               | 8.75 | 6.50 | 21.37 | 4.50 | 3.75 | 2.25 | 15.21 | 12.96 | 6.51 | .44 SLOT |
| DMH3-171       | 3  | 2               | 6.50 | 6.50 | 19.87 | 3.50 | 2.75 | 2.50 | 14.45 | 12.20 | 6.51 | .34 DIA. |
| DMJ-172        | 5  | 2-1/2           | 8.75 | 6.50 | 22.12 | 4.50 | 3.75 | 2.75 | 15.71 | 12.96 | 6.51 | .44 SLOT |
| DMJ3-172       | 5  | 2-1/2           | 8.75 | 6.50 | 21.62 | 4.50 | 3.75 | 2.25 | 15.21 | 12.96 | 6.50 | .44 SLOT |

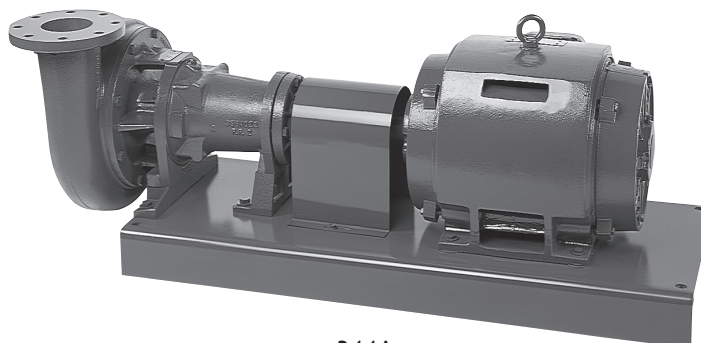
# Aurora® 340 Series and 410 Series Pumps



341A



342A



344A

## Featured Highlights

- Multiple configurations available
- Models to 100 ft. TDH
- Compatible with Acu Drive™ XS
- Cast Iron Bronze Fitted Models
- Flooded Suction applications
- Highly reliable performance
- NSF approved models available
- Various flow capabilities for all applications
- Epoxy Coating option available
- ODP and TEFC motors in Standard and Premium efficiency available

Pentair now offers the new Aurora 340 Series End Suction and the 410 Series Split Case Pumps for commercial pools, spas, and other water applications. The 340 and 410 Series are available in horizontal and vertical configurations in horsepower's to 150 and flows to 8,000 GPM.

## Ordering Information

| Product | Description | Carton Wt. (Lbs.) |
|---------|-------------|-------------------|
|---------|-------------|-------------------|

Please contact our factory (1-800-831-7133) for applications sizing, pricing, and availability.

| AURORA PUMP ACCESSORIES FLANGE ASSEMBLY KITS |  |    |
|--|--|----|
| 357259                                       | Flange 2-1/2 in. w/gasket and SS hardware <sup>1</sup> | 16 |
| 357260                                       | Flange 5 in. w/gasket and SS hardware <sup>1</sup>     | 22 |
| 357261                                       | Flange 3 in. w/gasket and SS hardware <sup>1</sup>     | 18 |
| 357262                                       | Flange 4 in. w/gasket and SS hardware <sup>1</sup>     | 20 |
| 357263                                       | Flange 6 in. w/gasket and SS hardware <sup>1</sup>     | 23 |

<sup>1</sup> Thermoplastic PVC socket style.

# Berkeley® B-Series Commercial Pumps

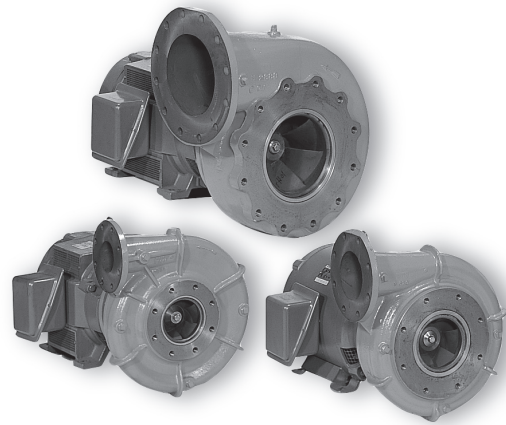
## Centrifugal Commercial Pumps



Where a large volume of water is needed, in flooded suction applications, Berkeley brand pumps can accommodate almost any water-moving needs. Berkeley brand pumps have been one of the top names in the water systems for decades. Once recognized for only being affiliated with irrigation and water systems, Berkeley pumps are now available in many configurations to be used in the following applications:

- Water features
- Water parks
- Aquaculture
- Commercial pools and spas

The pumps pictured above and included in the chart below show just a small sampling of the many pump sizes and designs that are available. In addition, we offer a wide range of gpm/head configurations; 1200, 1750, or 3450 rpm motors; 50 or 60 Hz; optional high-efficiency motors; voltage, horsepower, and service factor options; lead-free bronze impellers; flange or threaded connection in many sizes; and packing or mechanical shaft seal design pumps. Flooded suction required. For a complete selection guide to help you size the pump(s) that best fit your needs, call our customer service at 1-800-831-7133, or use the convenient Berkeley Electronic Catalog (BEC) located at [www.berkeleypumps.com](http://www.berkeleypumps.com).



### Ordering Information

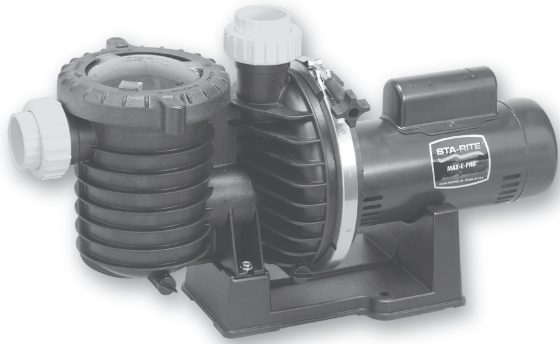
#### Call For Quote

| Product                        | General Pump Design Model | HP     | Best Operating Performance G.P.M. | Connection at X ft. of Head | RPM  | Flange (inches) |
|--------------------------------|---------------------------|--------|-----------------------------------|-----------------------------|------|-----------------|
| <b>BERKELEY B-SERIES PUMPS</b> |                           |        |                                   |                             |      |                 |
| B71943S                        | B3ZPMS                    | 5 HP   | 350                               | 40                          | 1800 | 3 x 4           |
| B71945S                        | B3ZPMS                    | 7.5 HP | 400                               | 53                          | 1800 | 3 x 4           |
| B71947S                        | B3ZPMS                    | 10 HP  | 500                               | 60                          | 1800 | 3 x 4           |
| B71949S                        | B3ZPMS                    | 15 HP  | 600                               | 63                          | 1800 | 3 x 4           |
| B76775                         | B5EPHS                    | 20 HP  | 950                               | 60                          | 1800 | 5 x 6           |
| B76776                         | B5EPHS                    | 25 HP  | 1050                              | 65                          | 1800 | 5 x 6           |
| B75861                         | B4GPBHS                   | 30 HP  | 1100                              | 85                          | 1800 | 4 x 6           |
| B74945                         | B6JPBMS                   | 40 HP  | 1500                              | 80                          | 1800 | 6 x 8           |
| B76786                         | B8GPBMS                   | 50 HP  | 2700                              | 50                          | 1800 | 8 x 10          |

Options: The above pumps have silicon bronze impellers, flanged connections, close-coupled, open drip-proof motors, and mechanical shaft seals. As mentioned in the text at the top of the page, many options are available. Please call our Customer Service at 800-831-7133 or try using the convenient "BEC" system at [www.berkeleypumps.com](http://www.berkeleypumps.com).

# Dyna-Wave® Water Feature Pump

## Self-Priming Low-Head Water Feature Pump



Dyna-Wave Water Feature Pump

The Dyna-Wave Water Feature pump is a self-priming low-head pump ideal for water feature applications such as small fountains, waterfalls, and garden/koi ponds. Extremely quiet and energy efficient, this versatile pump is designed to work in those installations calling for little resistance and high flows.

### Featured Highlights

- **Typical Installation** – Fountains, ponds, waterfalls
- **Energy Efficient** – Provides up to 30 gallons a minute per amp (at 230V)
- **Quality Construction** – Durable wet-end constructed of Sta-Rite's industry leading glass-reinforced composite resin
- **Multiple Plumbing Options** – 2 in. Ports include internal NPT threads and external threads for quick-connect unions. Unions available in 1-1/2 in. and 2 in. slip and NPT. Unions not included.
- **Low Maintenance** – Extra large trap basket holds more debris, which means less cleaning. The clear polycarbonate lid let's you see when it's time to empty the basket/impeller lock-ups
- **Quiet** – The hydraulically balanced design, combined with a low speed motor make the Dyna-Wave Water Feature pump the quietest pump of its kind in the market
- **Self-Priming** – Will prime up to 5 ft. above water level

### Ordering Information

| Product                              | Voltage  | Full Load Amps | HP  | SF  | SFHP | Primary Listings and Certifications <sup>3</sup> | Port Size (NPT) | Carton Wt. (Lbs.) |
|--------------------------------------|--|----------------|-----|-----|------|--|-----------------|-------------------|
| <b>ENERGY EFFICIENT SINGLE SPEED</b> |  |                |     |     |      |  |                 |                   |
| MPRA6B-202L                          | 115/230  | 4.8/2.4        | 1/3 | 1.0 | 1/3  | UL <sup>1</sup> , NSF <sup>2</sup>               | 2 in. x 2 in.   | 35                |
| <b>ACCESSORIES</b>                   |  |                |     |     |      |  |                 |                   |
| 77703-0100                           | 2 in. Union Half x 1-1/2 in. FPT – Package Of Two  |                |     |     |      |  |                 | 1                 |
| 77703-0101                           | 2 in. Union Half x 1-1/2 in. Slip – Package Of Two |                |     |     |      |  |                 | 1                 |
| PKG 188                              | 2 in. Union Half x 2 in. Slip – Package Of Two     |                |     |     |      |  |                 | 1                 |
| PKG 189                              | 2 in. Union Half x 2 in. FPT – Package Of Two      |                |     |     |      |  |                 | 1                 |
| 17350-0008                           | Rubber Pump Base Pad                               |                |     |     |      |  |                 | 1                 |

<sup>1</sup> 'UL(I)' indicates that pump bears a specific UL mark signifying evaluation to U.S. Standards UL1081 for Permanently Connected Swimming Pool and Spa Pumps and to Canadian Standards CAN/CSA C22.2 No. 108-01 Liquid Pumps For Swimming Pools And Spas. (Enclosure 3).

<sup>2</sup> 'NSF' indicates that pump bears a NSF mark signifying evaluation to NSF Standard 50 For Self-Priming Centrifugal Pumps For Swimming Pools, Spas and Hot Tubs.

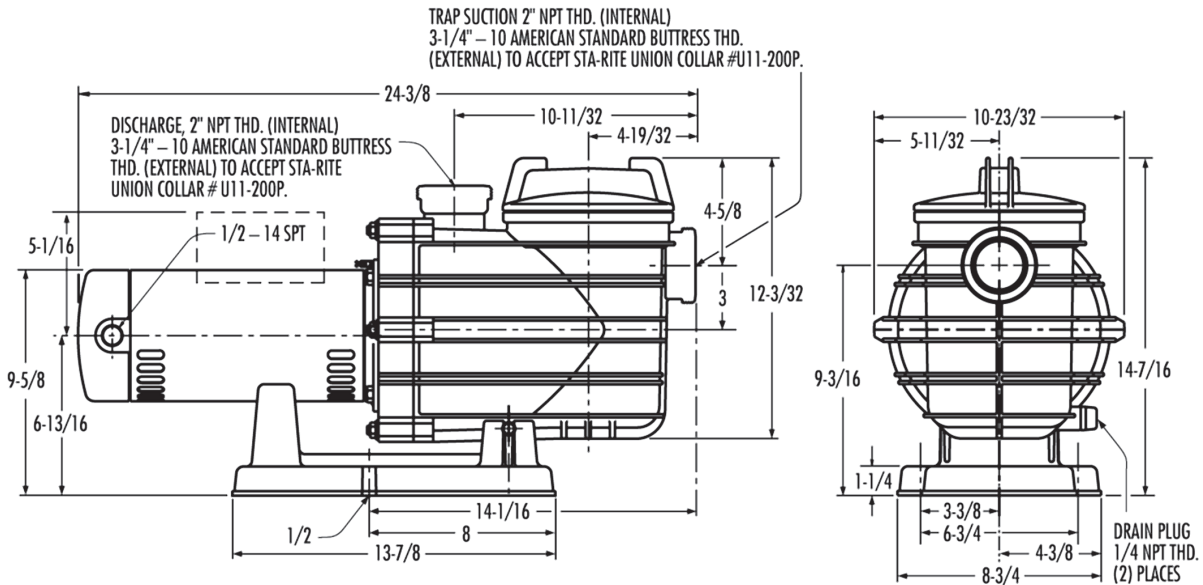
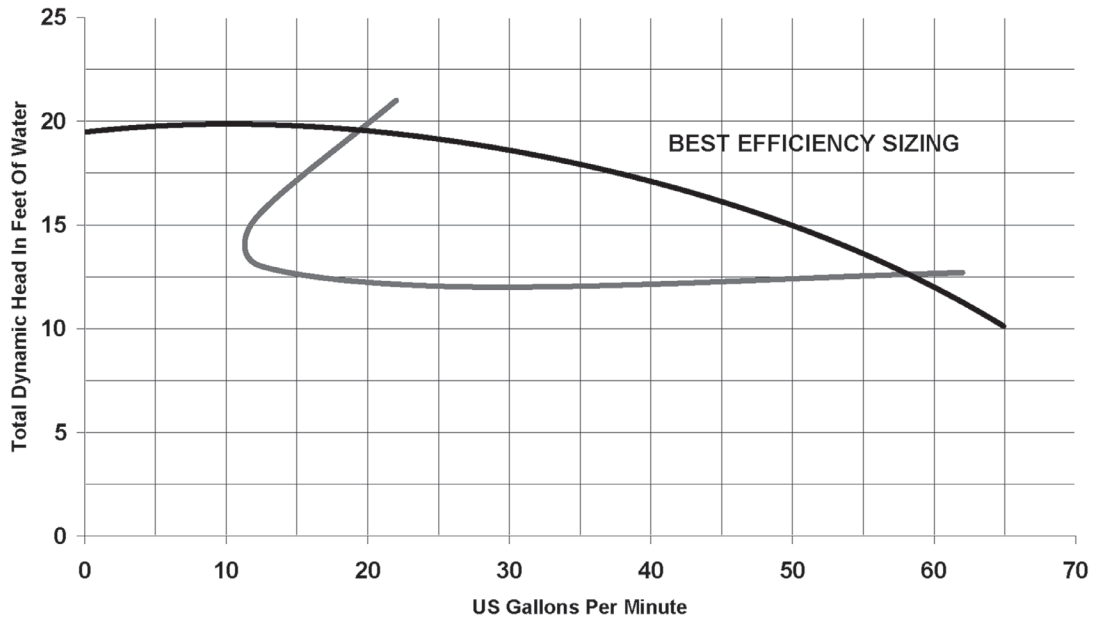
<sup>3</sup> Product may have been evaluated to other state and local regulatory standards. Listing status may change. Always confirm status with appropriate agency if in doubt.



# Dyna-Wave® Water Feature Pump (Cont'd)

## Self-Priming Low-Head Water Feature Pump

### Dimensions and Performance

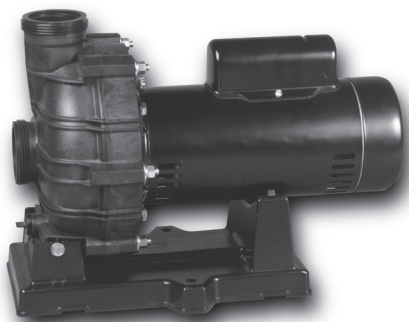


All dimensions shown in inches.

See page 501 for replacement parts.

# Dyna-Jet™ Spa/Water Features Pump

## TPE and TPR Series



Dyna-Jet Spa/Water Features Pump

For residential/commercial use, indoor or outdoor installation. A spa and water features pump in the Sta-Rite tradition of Dura-Glas® pumps. Precision-molded of a proprietary blend of glass-reinforced thermoplastic that is highly corrosion resistant. Ideal pump where warm water service, high flow, and quiet operation are required.

### Ordering Information

| Product   | Voltage   | Full Load Amps | HP          | SF   | SFHP | Primary Listings and Certifications <sup>2</sup> | Port Size (NPT) | Carton Wt. (Lbs.) | Curve Key |
|---|---|----------------|-------------|------|------|--|-----------------|-------------------|-----------|
| <b>ENERGY EFFICIENT SINGLE SPEED</b>                                    |   |                |             |      |      |  |                 |                   |           |
| TPEAE-165L  | 115/230   | 12.6/6.3       | 1           | 1.25 | 1.25 | UL <sup>1</sup>                                  | 2 in. x 2 in.   | 35                | H         |
| TPEAF-166L  | 115/230   | 16.0/8.0       | 1-1/2       | 1.10 | 1.65 | UL <sup>1</sup>                                  | 2 in. x 2 in.   | 37                | F         |
| TPEAG-167L  | 230   | 10.4           | 2           | 1.10 | 2.20 | UL <sup>1</sup>                                  | 2 in. x 2 in.   | 41                | C         |
| TPEAAG-168L   | 230   | 11.2           | 2-1/2       | 1.04 | 2.60 | UL <sup>1</sup>                                  | 2 in. x 2 in.   | 43                | A         |
| <b>STANDARD EFFICIENCY SINGLE SPEED</b>                                 |   |                |             |      |      |  |                 |                   |           |
| TPRAF-174L  | 115/230   | 19.2/9.6       | 1-1/2       | 1.10 | 1.65 | UL <sup>1</sup>                                  | 2 in. x 2 in.   | 33                | G         |
| TPRAG-175L  | 230   | 12             | 2           | 1.10 | 2.20 | UL <sup>1</sup>                                  | 2 in. x 2 in.   | 37                | E         |
| <b>ENERGY EFFICIENT TWO SPEED 3450 RPM, LOW SPEED 1725 RPM UP RATED</b> |   |                |             |      |      |  |                 |                   |           |
| TPEAYG-175L   | 230   | 10.0/3.0       | 2 / 1/4     | 1.10 | 2.20 | UL <sup>1</sup>                                  | 2 in. x 2 in.   | 43                | D, J      |
| TPEAAYG-168L  | 230   | 11.3/3.3       | 2-1/2 / 1/3 | 1.04 | 2.60 | UL <sup>1</sup>                                  | 2 in. x 2 in.   | 45                | B, I      |
| <b>ACCESSORIES</b>  |   |                |             |      |      |  |                 |                   |           |
| 77703-0105  | Union Package- 2 in. x 1-1/2 in.- Includes two 2 in. collars, O-Rings, one each 1-1/2 in. and 2 in. slip adapters |                |             |      |      |  |                 |                   | I         |
| 77703-0108  | Union Package- 2 in. x 2 in.- Includes two 2 in. collars, O-Rings, two 2 in. slip adapters                        |                |             |      |      |  |                 |                   | I         |
| 38405-4094  | 2 in. PVC Union Collar  |                |             |      |      |  |                 |                   | 4 oz.     |
| 38405-4095  | 2 in. PVC Slip Union Adapter  |                |             |      |      |  |                 |                   | 2 oz.     |
| 38405-4096  | 1-1/2 in. PVC Slip Union Adapter  |                |             |      |      |  |                 |                   | 2 oz.     |
| 35505-1244  | O-Ring  |                |             |      |      |  |                 |                   |           |
| 17350-0008  | Rubber Pump Base Pad  |                |             |      |      |  |                 |                   | I         |

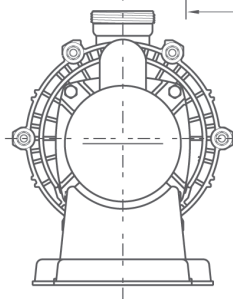
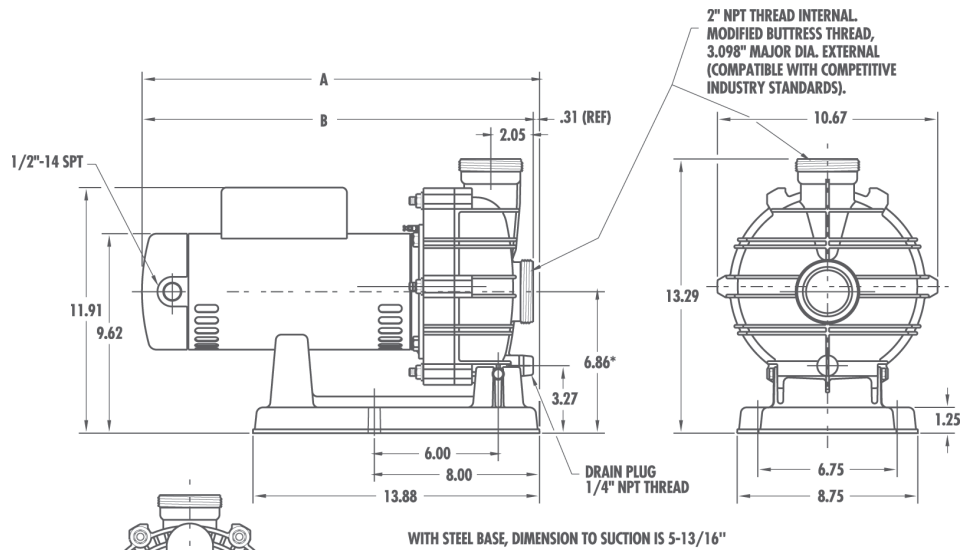
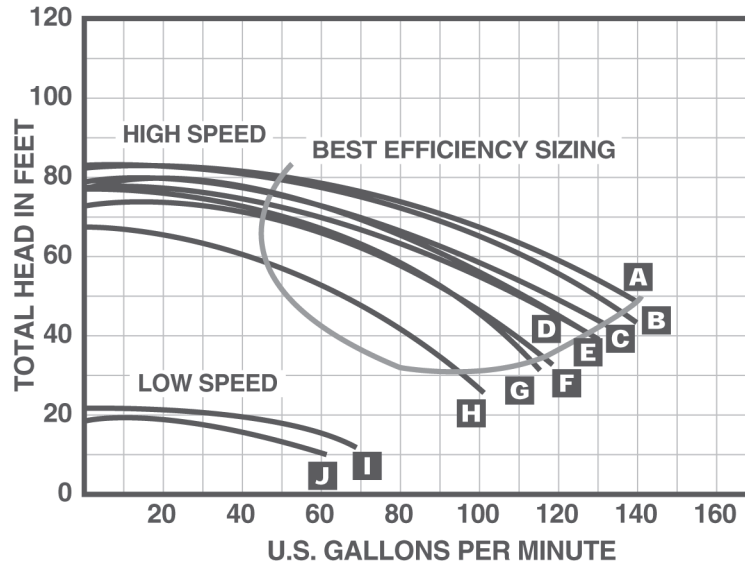
<sup>1</sup> 'UL(I)' indicates that pump bears a specific UL mark signifying evaluation to U.S. Standards UL1081 for Permanently Connected Swimming Pool and Spa Pumps and to Canadian Standards CAN/CSA C22.2 No. 108-01 Liquid Pumps For Swimming Pools And Spas. (Enclosure 3).

<sup>2</sup> Product may have been evaluated to other state and local regulatory standards. Listing status may change. Always confirm status with appropriate agency if in doubt.

# Dyna-Jet™ Spa/Water Features Pump (Cont'd)

## TPE and TPR Series

### Dimensions and Performance



| Catalog Number | DIMENSION |       |
|----------------|-----------|-------|
|                | "A"       | "B"   |
| TPEAE-165L     | 18.00     | 17.70 |
| TPEAF-166L     | 18.63     | 17.32 |
| TPEAG-167L     | 18.63     | 17.32 |
| TPEAAG-168L    | 19.25     | 18.95 |

All dimensions shown in inches.

# Booster Pump

## Pressure-Side Cleaner Pump



Booster Pump

### Featured Highlights

- Use with Legend® Platinum, Legend Platinum Truck Series, and Legend Automatic Pool Cleaners
- Hose and adapters included
- Ideal replacement for pressure-side Booster pumps

Combines ultimate performance with maximum efficiency for pressure-side pool cleaner ease. The 3/4 HP booster pump is made from durable, corrosion-proof materials, and provides 50 psi at 12 GPM.

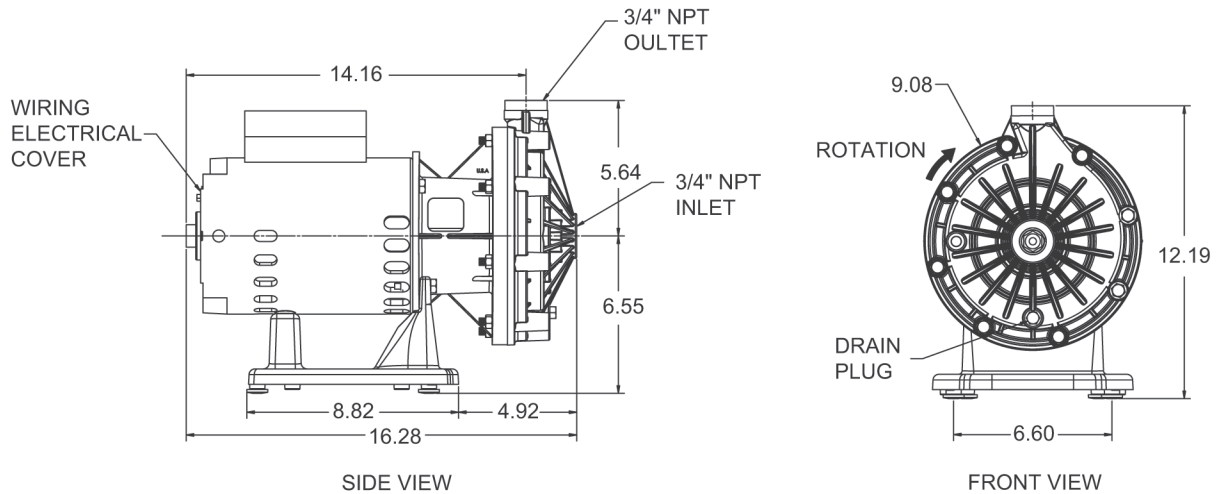
### Ordering Information

| Product                              | Voltage               | Full Load Amps | HP  | SF   | SFHP | Primary Listings and Certifications <sup>2</sup> | Port Size (NPT)   | Carton Wt. (Lbs.) |
|--------------------------------------|-----------------------|----------------|-----|------|------|--|-------------------|-------------------|
| <b>ENERGY EFFICIENT SINGLE SPEED</b> |                       |                |     |      |      |  |                   |                   |
| LA01N                                | 115/230               | 13.0/6.5       | 3/4 | 1.50 | 1.13 | UL <sup>1</sup>                                  | 3/4 in. x 3/4 in. | 32                |
| <b>ACCESSORIES</b>                   |                       |                |     |      |      |  |                   |                   |
| 353020                               | Booster Pump Hose Kit |                |     |      |      |  |                   | 4                 |

<sup>1</sup> 'UL(2)' indicates that pump bears a UL mark signifying evaluation to U.S. Standards ULI081 for Permanently Connected Swimming Pool Pumps Only.

<sup>2</sup> Product may have been evaluated to other state and local regulatory standards. Listing status may change. Always confirm status with appropriate agency if in doubt.

### Dimensions and Performance



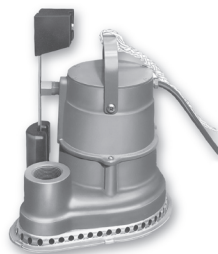
See page 498 for replacement parts.

# Submersible Pump

## Submersible Pool Service Pump



A fully submersible, portable, high capacity pump designed for use by the professional in draining pools and spas as well as for general purpose applications. Its heavy cast iron body withstands regular handling while a brass base prevents staining of pool floor surfaces. The 1/2 HP motor is oil-filled and sealed with silicone carbide shaft seal for longer service life and cooler running.



Submersible Pool Service Pump

### Ordering Information

| Product                                      | Description              | Voltage | Full Load Amps | HP  | Primary Listings and Certifications | Carton Wt. (Lbs.) |
|--|--------------------------|---------|----------------|-----|-------------------------------------|-------------------|
| <b>CAST IRON SUBMERSIBLE WITH BRASS BASE</b> |                          |         |                |     |                                     |                   |
| PCD-10B                                      | Submersible Drainer Pump | 115     | 13.7           | 1/2 |                                     | 15                |

### Dimensions and Performance

| Discharge Head in Feet   | 5     | 10    | 15    | 20    | 22    |
|--------------------------|-------|-------|-------|-------|-------|
| Gallons Per Hour (GPH)   | 3,600 | 3,120 | 2,520 | 1,680 | 1,200 |
| Gallons Per Minute (GPM) | 60    | 52    | 42    | 28    | 20    |

Note: Not for continuous duty use in waterfalls, fountains, etc., or for pumping acid solutions in conjunction with pool service work. Warranty will be voided under these conditions.

Noryl® is a registered trademark of General Electric Co.

See page 505 for replacement parts.

# Submersible Drainer Pump

## Continuous Duty Submersible Pump

The Pool Drainer Pump is specifically designed to drain pool covers with heavy debris. It features a unique water level switch that won't bind or catch in your pool cover, providing a winter season with no worries. In addition, the innovative design of the base will keep your pool cover out of your pump.



Submersible Drainer Pump

### Ordering Information

| Product                         | Description              | Voltage | Full Load Amps | HP  | Primary Listings and Certifications | Carton Wt. (Lbs.) |
|---------------------------------|--------------------------|---------|----------------|-----|-------------------------------------|-------------------|
| <b>Submersible Drainer Pump</b> |                          |         |                |     |                                     |                   |
| FPOS1790PS                      | Submersible Drainer Pump | 115     | 9              | 1/4 | UL, CSA                             | 10.5              |

Note: The "0"s in this part number are zeros.

<sup>1</sup> 'UL' indicates that pump bears a UL mark signifying evaluation to U.S. Standards UL778 for submersible motor-operated pumps intended to be used in ordinary locations in accordance with the National Electrical Code, NFPA 70.

<sup>2</sup> 'CSA' indicates that pump bears a CSA mark signifying evaluation to Canadian Standards CAN/CSA C22.2 No. 108-01 For Cord Connected Submersible Sump Pumps.

<sup>3</sup> Product may have been evaluated to other state and local regulatory standards. Listing status may change. Always confirm status with appropriate agency if in doubt.

### Dimensions and Performance

| Discharge Head in Feet | 3     | 5     | 10    | 15  | 20  | 22 |
|------------------------|-------|-------|-------|-----|-----|----|
| Gallons Per Hour (GPH) | 1,600 | 1,524 | 1,260 | 924 | 372 | 0  |

# Trident™ Submersible Pump

## Submersible Pool Service Pump



Trident Submersible Pool Service Pump



Heavy duty, non-corrosive, fully submersible pump ideal for draining swimming pools. Includes 20 ft. power cord for GFCI hookup. 5-1/2 in. diameter allows pump to fit in most main drains. Discharge pipe size comes in 1-1/4 in. or 1-1/2 in.

### Featured Highlights

- **Typical Installation** – Replaces any existing submersible sump pump
- **Continuous Duty** – Automatic submersible sump or portable utility pump
- **Superior Pumping Performance** – Up to 7,000 GPH
- **Pump Construction** – Corrosion-resistant engineered resin
- **Operation** – Automatic or manual
- **Heavy-duty Motor** – Energy efficient, 7-1/2 amps

### Ordering Information

| Product  | Description                            | Voltage | Full Load Amps | HP  | Primary Listings and Certifications <sup>3</sup> | Carton Wt. (Lbs.) |
|--|--|---------|----------------|-----|--|-------------------|
| <b>CONTINUOUS DUTY SUBMERSIBLE (REPLACES P1512-01)</b> |  |         |                |     |  |                   |
| D175120T   | Trident Drainer Pump with Float Switch | 115     | 7.5            | 3/4 | UL <sup>1</sup> , CSA <sup>2</sup>               | 15                |

<sup>1</sup> 'UL' indicates that pump bears a UL mark signifying evaluation to U.S. Standards UL778 for submersible motor-operated pumps intended to be used in ordinary locations in accordance with the National Electrical Code, NFPA 70.

<sup>2</sup> 'CSA' indicates that pump bears a CSA mark signifying evaluation to Canadian Standards CAN/CSA C22.2 No. 108-01 For Cord Connected Submersible Sump Pumps.

<sup>3</sup> Product may have been evaluated to other state and local regulatory standards. Listing status may change. Always confirm status with appropriate agency if in doubt.

### Dimensions and Performance

| Discharge Head in Feet | 5     | 10    | 15    | 20    | 25 |
|------------------------|-------|-------|-------|-------|----|
| Gallons Per Hour (GPH) | 6,000 | 5,040 | 3,840 | 2,340 | 0  |

# Parts-Paks™ and Accessories

## Point-of-Sale, Stock Room, Service Vehicle



| Product  | Pump Model by HP |               |     |
|--|------------------|---------------|-----|
|  | CH, LT, LI       | LHA, LTA, LIA | PCD |
| <b>SEAL/GASKET KITS – Include shaft seal, gaskets, and O-rings</b> |                  |               |     |
| PP1080   | 1/6              |               |     |
| PP1081   | 1/3              | 1/2           |     |
| PP1082   | 1/2              | 3/4           |     |
| PP1682   |                  |               | 1/2 |

| Product  | Pump Model by HP |            |            |
|--|------------------|------------|------------|
|  | P4E, P4R         | P4EA, P4RA | MPRA, MPEA |
| <b>SEAL/GASKET KITS – Include shaft seal, gaskets, and O-rings</b> |                  |            |            |
| PP4010   | 3/4              | 1          |            |
| PP4011   | 1                | 1-1/2      |            |
| PP4012   | 1-1/2            | 2          |            |
| PP4013   | 2                | 2-1/2      |            |
| PP4014   | 3                |            |            |
| PP3010   |                  |            | 3/4        |
| PP3011   |                  |            | 1          |
| PP3012   |                  |            | 1-1/2      |
| PP3013   |                  |            | 2          |

**OVERHAUL KITS** – Attractive, clamshell packaging contains recommended parts for seal/gasket servicing or complete overhaul of most swimming pool/spa pumps. Eliminate the need for large parts inventories, protect parts from damage, and reduce paperwork. Include impeller, diffuser, shaft seal, gaskets, O-rings, appropriate hardware, shims, wear rings, and inserts.



### Ordering Information

| Product  | Pump Model by HP |           |       |       |
|--|------------------|-----------|-------|-------|
|  | PE, P2R          | PEA, P2RA | PR    | PRA   |
| <b>SEAL/GASKET KITS – Include shaft seal, gaskets, and O-rings</b> |                  |           |       |       |
| PP1010   | 1/3              | 1/3, 1/2  |       | 1/2   |
| PP1011   | 1/2              | 3/4       | 1/2   | 3/4   |
| PP1012   |                  |           | 3/4   | 1     |
| PP1013   |                  |           | 1     | 1-1/2 |
| PP1014   | 3/4              | 1         |       |       |
| PP1015   |                  |           | 1-1/2 | 2     |
| PP1016   | 1                | 1-1/2     |       |       |
| PP1017   | 2                | 2-1/2     | 2     | 2-1/2 |
| PP1018   | 1-1/2            | 2         |       |       |
| PP1019   | 3                |           |       |       |

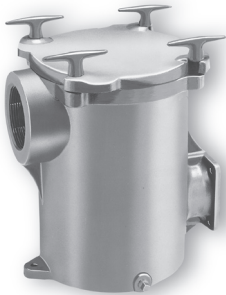
| Product   | Description   | Carton Wt. (Lbs.) |
|---|---|-------------------|
| <b>SEAL/GASKET KITS – Include shaft seal, gaskets, and O-rings</b>    |   |                   |
| PP1075  | LH, LHA, LT, LTA, LI, LIA - All HP  |                   |
| PP3000  | MPRA, MPEA - All HP   |                   |
| PP1000  | PE, PEA, PR, PRA, P2R, P2RA (models with copper insert pre-1998) - All HP   |                   |
| PP4000  | P4E, P4EA, P4R, P4RA (models with copper insert pre-1998) - All HP          |                   |
| PP1200  | PE, PEA, P2R, P2RA (models without copper insert beginning 1998) - All HP   |                   |
| PP4200  | P4E, P4EA, P4R, P4RA (models without copper insert beginning 1998) - All HP |                   |
| <b>TRAP LID KITS – Include trap lid and trap lid o-ring</b>           |   |                   |
| PP2075  | PE, PEA, PR, PRA, P2R, P2RA (with 5 in. trap – standard) - ALL HP           |                   |
| PP4075  | P4E, P4EA, P4R, P4RA, MPR, MPE (with 6 in. trap – standard) - ALL HP        |                   |
| <b>PUMP CONNECTOR UNION HALF (WILL NOT FIT DJ OR TP SERIES PUMPS)</b> |   |                   |
| PKG 188   | 2 in. Union x 2 in. Slip, 2 per Pkg.  | 1                 |
| PKG 189   | 2 in. Union x 2 in. FPT, 2 per Pkg.   | 1                 |
| 77703-0100  | 2 in. Union x 1-1/2 in. FPT, 2 per Pkg.                                     | 1                 |
| 77703-0101  | 2 in. Union x 1-1/2 in. Slip, 2 per Pkg.                                    | 1                 |
| <b>PUMP BASE NOISE REDUCER</b>  |   |                   |
| 17350-0008  | Rubber Pump Base Pad for MPR, P4R, P4E, TPR, TPE Models                     | 1                 |

# Hair and Lint Strainer Packages



## Ordering Information

| Product                                | Description   | Suction Port Size | Carton Wt. (Lbs.) |
|--|---|-------------------|-------------------|
| <b>HAIR AND LINT STRAINER PACKAGES</b> |   |                   |                   |
| PKG 115                                | 5 in. Dura-Glas Trap with Basket                                    | 1-1/2 in. NPT     | 5                 |
| PKG 51                                 | 6 in. Cast Iron Trap with Basket (For C, CC, and D Series Pumps)    | 2 in. NPT         | 20                |
| PKG 56                                 | 6 in. Bronze Trap with Basket (For C, CC, and D Series Pumps)       | 2 in. NPT         | 20                |
| PKG 98                                 | 8 in. Cast Iron Trap with Basket (For C, CC, and D Series Pumps)    | 3 in. NPT         | 40                |
| PKG 99                                 | 8 in. Bronze Trap with Basket (For C, CC, and D Series Pumps)       | 3 in. NPT         | 40                |
| PKG 118                                | 2 in. x 1-1/2 in. NPT Reducer                                       | -                 | 1                 |
| PKG 76                                 | Cast Iron Flange for Remote Trap Install                            | 3 in. NPT         | 4                 |
| PKG 161                                | 6 in. Noryl® Strainer (For P2R and PE Series)                       | 2 in. NPT         | 6                 |
| PKG 184                                | CSP Series Hair and Lint Strainer (1100 cu. in. capacity)           | 6 in. ANSI Flange | 180               |
| PKG 184C                               | CCSP Series Hair and Lint Strainer – Coated (1100 cu. in. capacity) | 6 in. ANSI Flange | 180               |



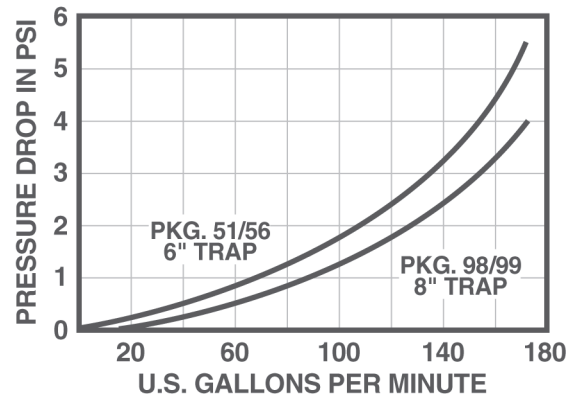
PKG 98/99  
8 in.



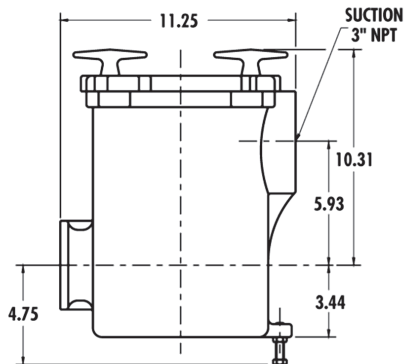
PKG 51/56  
5 in. OR 6 in.



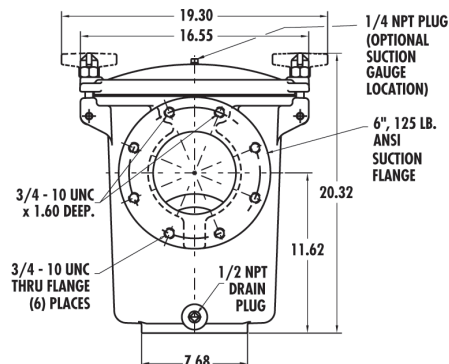
PKG 76



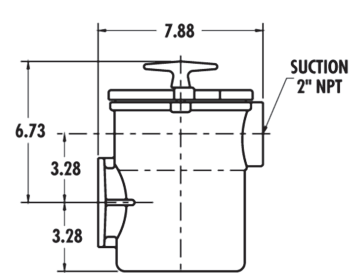
PKG 98/99 - 8 INCH TRAP



PK6 184/184C



PKG 51/56 - 6 INCH TRAP





# PS Series™ In-Line Strainer

## For Commercial Series Pumps



PS Series™ In-Line Strainer

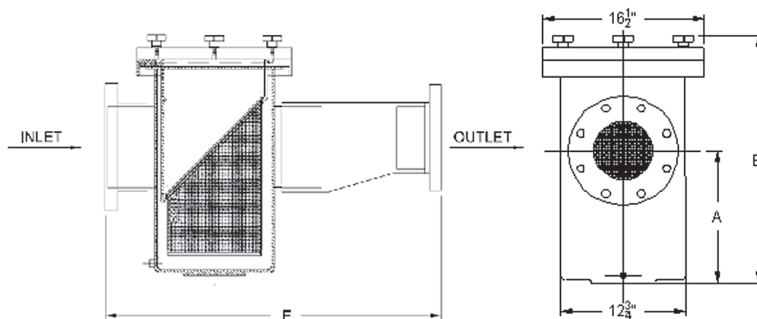
### Featured Highlights

- Superior design for hydraulic performance
- Clear lid with easy access allows for simple visibility of debris
- Extra large stainless steel strainer basket
- 50 psi rating
- NSF listed

New PS Series™ In-Line Strainers from Pentair Commercial Pool and Aquatics™ are designed for ease of installation and hydraulic efficiencies in commercial aquatics applications. In three standard sizes and with the addition of eccentric reducers PS Series strainers fit with almost any plumbing configuration. The design of the PS Series accommodates the high-flow performance in a variety of applications. ANSI flange bolt pattern allows for ease of installation and peace of mind.

### Ordering Information

| Product                          | Description        | Flange Size     |               | Typical Max. Flow<br>(GPM) | A<br>(Inches) | B<br>(Inches) | E<br>(Inches) |
|----------------------------------|--------------------|-----------------|---------------|----------------------------|---------------|---------------|---------------|
|                                  |                    | Inlet (suction) | Outlet (pump) |                            |               |               |               |
| <b>PS SERIES 6 INCH SUCTION</b>  |                    |                 |               |                            |               |               |               |
| PS6X6                            | Straight           | 6 in.           | 6 in.         | 540                        | 13-5/8 in.    | 25-1/2 in.    | 23-5/8 in.    |
| PS6X5E                           | Eccentric Reducing | 6 in.           | 5 in.         | 540                        | 13-5/8 in.    | 25-1/2 in.    | 35-1/4 in.    |
| PS6x4E                           | Eccentric Reducing | 6 in.           | 4 in.         | 540                        | 13-5/8 in.    | 25-1/2 in.    | 32-7/8 in.    |
| PS6X3E                           | Eccentric Reducing | 6 in.           | 3 in.         | 540                        | 13-5/8 in.    | 25-1/2 in.    | 38 in.        |
| <b>PS SERIES 8 INCH SUCTION</b>  |                    |                 |               |                            |               |               |               |
| PS8X8                            | Straight           | 8 in.           | 8 in.         | 930                        | 13-5/8 in.    | 25-1/2 in.    | 23-3/8 in.    |
| PS8X6E                           | Eccentric Reducing | 8 in.           | 6 in.         | 930                        | 13-5/8 in.    | 25-1/2 in.    | 35-7/8 in.    |
| PS8X5E                           | Eccentric Reducing | 8 in.           | 5 in.         | 930                        | 13-5/8 in.    | 25-1/2 in.    | 43-1/2 in.    |
| PS8X4E                           | Eccentric Reducing | 8 in.           | 4 in.         | 930                        | 13-5/8 in.    | 25-1/2 in.    | 41-1/4 in.    |
| <b>PS SERIES 10 INCH SUCTION</b> |                    |                 |               |                            |               |               |               |
| PS10X10                          | Straight           | 10 in.          | 10 in.        | 1470                       | 20-5/8 in.    | 32-1/2 in.    | 24-1/2 in.    |
| PS10X8E                          | Eccentric Reducing | 10 in.          | 8 in.         | 1470                       | 20-5/8 in.    | 32-1/2 in.    | 38-3/4 in.    |
| PS10X6E                          | Eccentric Reducing | 10 in.          | 6 in.         | 1470                       | 20-5/8 in.    | 32-1/2 in.    | 47 in.        |
| PS10X5E                          | Eccentric Reducing | 10 in.          | 5 in.         | 1470                       | 20-5/8 in.    | 32-1/2 in.    | 54-1/2 in.    |



### Dimensions and Performance

1. Select inlet size based on size of suction pipe. Use chart above to determine Typical Max. Flow in pipe size based on flow velocity of 6 fps.
2. Select strainer outlet size to match pump inlet where practical.
3. Also available with custom flange sizes. Call factory for more information.

