

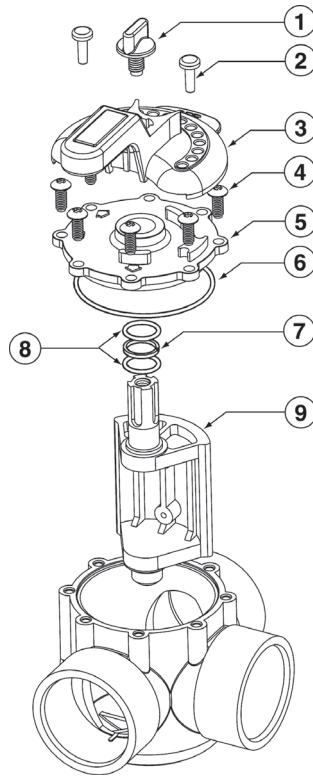


Valve Parts

Replacement Parts
for Valves



Diverter Valves – 1-1/2 in. and 2 in. Replacement Parts (PacFab and Compool Valves)



Item No.	Part No.	Description	US List	Can. List
DIVERTER VALVES – 1-1/2 IN. AND 2 IN.				
1	270032	Handle Knob 2 & 3-Way Valve	13.79	15.44
2	270021	Pin stop 2 & 3-Way Valve	1.72	1.93
3	270028	Handle 2 & 3-Way Valve	13.62	15.25
4	520389	Screw Kit, (8 Screws)	31.43	35.20
5	270030	Cover CPVC 2 & 3-Way Valve	14.49	16.23
6	51016200	O-ring #2-152 Buna 70 Shore	2.94	3.29
7	270038	Spacer split ring	0.85	0.95
8	192039	O-ring #2-116 Buna 70 Shore	0.20	0.22
9	270056	Diverter assy. 2 & 3-Way Valve, (2-2-1/2 in.) ¹	54.02	60.50
9	270075	Diverter assy. 2 & 3-Way Valve, (1-1/2-2 in.) ¹	62.12	69.57
9	270094	Diverter assy. 3-Way Solar Valve w/drain down, (2-2-1/2 in.)	90.58	101.45
NOT SHOWN				
	263042Z	Check Valve Replacement Kit	63.53	71.15

¹ Includes: P/N 270038 (Spacer split ring) and P/N 192039 (O-ring).

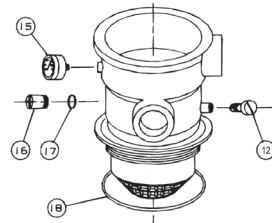
Six-way 1-1/2 in. HiFlow™ Valves

Replacement Parts for PacFab Multiport Valves

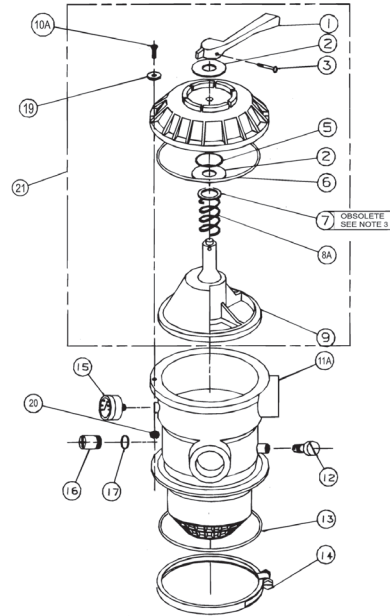


NOTE

- ¹ VALVES MANUFACTURED BEFORE MARCH 1, 1993 DO NOT CONTAIN ITEM 16 SIGHT GLASS OR ITEM 17 SIGHT GLASS GASKET.
- ² CLAMP STYLE VALVES MANUFACTURED BEFORE MARCH 1, 1993 CONTAIN A DIFFERENT AIR BLEEDER WITH O-RING P/N 272515. THIS PART IS NOT INTERCHANGEABLE WITH P/N 273512. THREADED VALVES MANUFACTURED BEFORE MARCH 1, 1993 DO NOT CONTAIN AN AIR BLEEDER WITH O-RING.
- ³ ITEM 8A USED ON VALVES MANUFACTURED AFTER MAY 1, 1992 AND REPLACES BOTH ITEMS 7 AND 8.
- ⁴ ITEMS 10A, 19 AND 20 ARE USED ON VALVES MANUFACTURED AFTER APRIL 15, 1994 AND REPLACE ITEM 10.



For (261130) 6 in. Buttress Style Valve For TA Filters

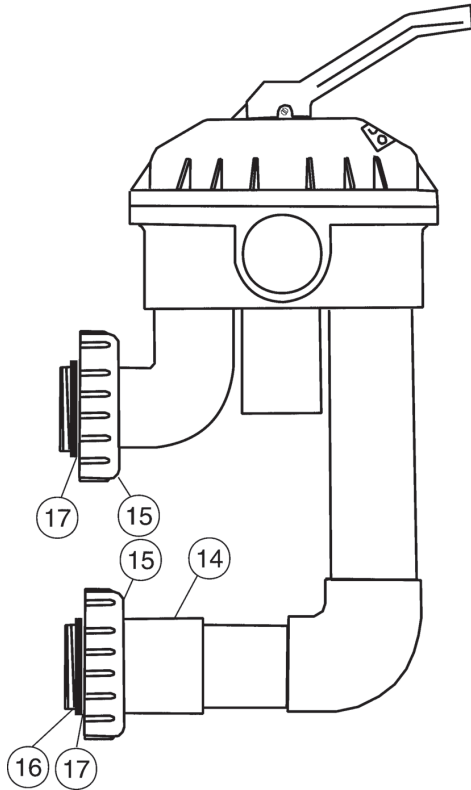


For (262504) (262505)(262506) Clamp Style Valve For TA-D Filters

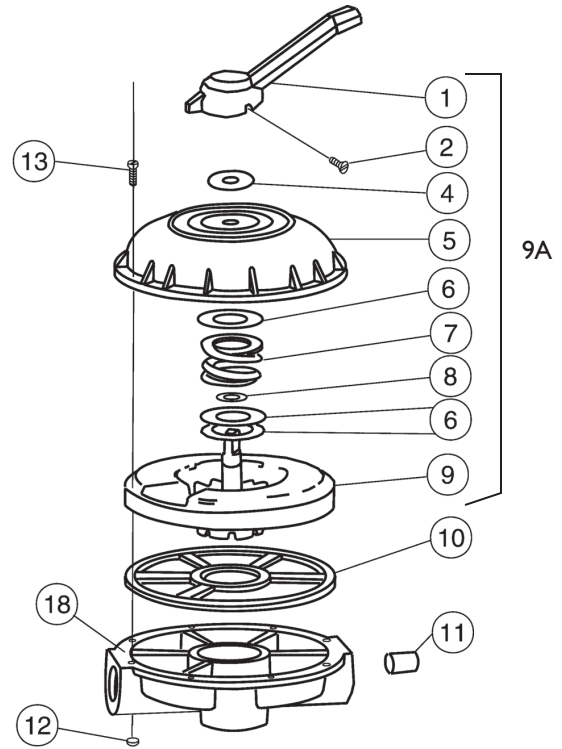
Item No.	Part No.	Description	US List	Can. List
6-WAY HIFLOW MULTIPORT VALVES				
1	272520	Handle	19.47	21.81
2	272505	Washer plastic, 2 req.	2.19	2.45
3	272405	Screw - handle	1.28	1.43
5	272511	O-ring - diverter shaft	1.24	1.39
6	354053	O-ring - valve top	21.57	24.16
7	272401	Washer - s/s ³	1.86	2.08
8	272400	Spring - comp. 100 lb. 1-13/16 o.d. ³	7.31	8.19
8A	272535	Spring - comp. 100 lb. 1-3/8 o.d. ³	3.89	4.36
9	272512	Diverter w/gasket	41.76	46.77
10A	354541	Screw #10-24 hex pan head, 6 req. ⁴	1.70	1.90
11A	272530	Valve body w/diffuser - clamp style	102.32	114.60
12	273512	Air bleeder with O ring ²	9.07	10.16
13	272541	O-ring - 3/16 in. x 4-5/8 in. i.d.	6.34	7.10
14	152165	Clamp	19.47	21.81
15	190059	Pressure gauge	34.18	38.28
16	272550	Sight glass w/vacuum projector ¹	10.34	11.58
17	271106	Gasket - sight glass ¹	2.32	2.60
18	154493	O-ring	4.22	4.73
19	272555	Washer - 9/16 s/s, 6 req. ⁴	1.28	1.43
20	272554	Nut - #10-24 serrated flange s/s, 6 req. ⁴	1.56	1.75
21	272531	HiFlow 1-1/2 in. top valve assy.	127.87	143.21

2 in. HiFlow™ Valves

Replacement Parts for Valves



Valves
261049
261050
261142



Item	Part No.	Description	US list	Can. List
2 IN. HIFLOW VALVES				
1	272520	Handle	19.47	21.81
2	272405	Screw - Handle	1.28	1.43
4	272402	Washer - Plastic	2.23	2.50
5	272412	Valve Top	44.15	49.45
6	272401	Washer - 1/32 in., 3 req.	1.86	2.08
7	272400	Spring - Compression	7.31	8.19
8	jl18	O-ring Kit Bag	0.89	1.00
9	272413	Diverter	66.43	74.40
9A	272422	Valve top assy. ¹	167.40	187.49
10	272409	Seal - Diverter	30.39	34.04
11	154566	Sight Glass 2 in. clear	11.90	13.33
12	98211400	Nut 1/4 in.- 20 Hex, 8 req.	2.03	2.27
13	272403	Screw 1/4 in.- 20, 8 req.	1.37	1.53
14	274400	Coupling - 2 in. PVC	5.96	6.68
15	274407	Nut - Bulkhead adapter, 2 req.	13.47	15.09
16	274404	Adapter - Bulkhead	19.47	21.81
17	274494	O-ring - Bulkhead adapter, 2 req.	3.85	4.31
18	272433	Valve btm. 2 in. w/gasket ²	103.89	116.36

¹ This part number includes items 1 thru 9.

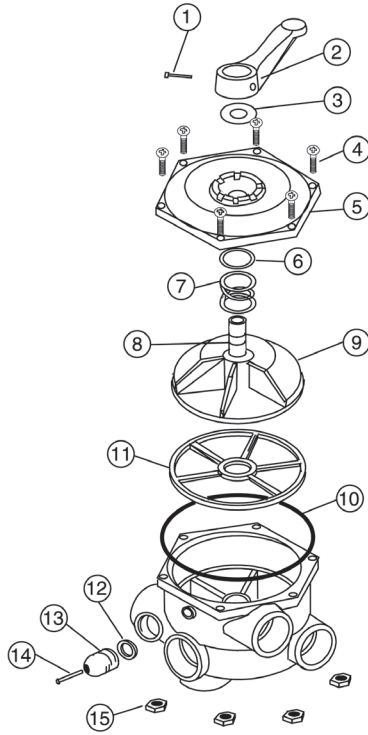
² 272433 valve btm. 2 in. w/ gasket contains one each of: 272409 seal diverter and 272415 Plate 2 in. valve btm.

Side Mount Multiport Valves, 1-1/2 in.

Replacement Parts for American Valves



P/N 50150111 - Slip
50160111 - Threaded



Item	Part No.	Description	US List	Can. List
MULTIPORT VALVES - SIDE MOUNT, 1-1/2 IN.				
1	98201900	Screw, handle 10-24 x 1-1/4 in.	1.70	1.90
2	51002700	Handle	21.09	23.62
3	51008800	Washer	5.54	6.20
4	98209000	Screw, pan head, 1/4-20 x 1-1/2 in., 6 req.	1.63	1.83
5	51000511	Lid, multiport valve w/ label 1-1/2 in. ¹	45.48	50.94
6	51021600	Thrust washer	5.50	6.16
7	51000700	Spring	9.50	10.64
8	JV18	O-ring, shaft, 2 req.	0.89	1.00
9	51001100	Rotor	36.83	41.25
10	51001000	Quad ring, lid	13.19	14.77
11	51008400	Spider Gasket ²	20.00	22.40
12	51001800	Gaskets, sight glass sets	9.07	10.16
13	51001600	Site Glass	7.42	8.31
14	98205000	Screw, sight glass 8-32 x 1-3/4 in.	1.28	1.43
15	98211400	Nut, 1/4-20, 6 req.	2.03	2.27
	51000111	Top assy. w/ lid, handle, rotor, 1-1/2 in.	145.19	162.61
	51001911	Plug, 1-1/2 in. thrd.	5.54	6.20
	51002011	Plug, 1-1/2 in. ABS slip	5.54	6.20

¹ For valves manufactured after 2-75.

² For valves manufactured after 4-1-76.

Top Mount Clamp-on Multiport Valves

Replacement Parts for American Valves



Item	Part No.	Description	US List	Can. List
6 POSITION TOP MOUNT CLAMP-ON MULTIPORT VALVE				
1	271156	Handle	25.05	28.06
3	51001400	Washer, poly	7.28	8.15
5	51002200	O-ring lid, 1-1/2 in. valve w/ label	12.17	13.63
8	191479	O-ring	1.00	1.12
9	51002800	Rotor 1-1/2 in.	60.98	68.30
9	51002900	Rotor 2 in.	63.87	71.53
10	271104	Gasket, spider, 1-1/2 in. valve	20.10	22.51
10	271148	Gasket, spider, 2 in. valve	28.94	32.41
14	51011900	O-ring, 22 in. filter ¹	6.72	7.53
14	51021700	Gasket, 22 in. filter ²	14.79	16.56
14	39300600	O-ring, 26 & 30 in. filter	15.60	17.47

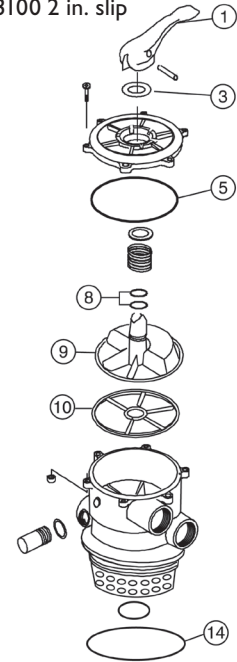
¹ Used on valves manufactured before 1-95.

² Used on valves manufactured after 1-95.

Product on page 215.

P/N 50113100 1-1/2 in. thrd.

P/N 50123100 2 in. slip



Top Mount Clamp-on Multiport Valves

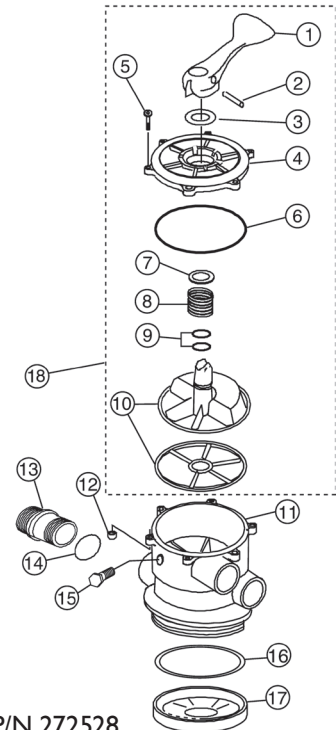
Replacement parts for American Valves



Item	Part No.	Description	US List	Can. List
5 & 8 POSITION TOP MOUNT CLAMP-ON MULTIPORT VALVE				
1	50131100	Handle, 8-pos.	26.30	29.46
2	50151400	Pin, handle	5.13	5.75
3	51025700	Washer, poly	6.91	7.74
4	50133100	Lid assy., 8-pos., w/ label	43.87	49.13
5	98209000	Screw 14-20 x 1-1/2 in., 6 req.	1.63	1.83
6	50151700	O-ring, lid	10.95	12.26
7	51021600	Washer	5.50	6.16
8	51000700	Spring	9.50	10.64
9	191479	O-ring, rotor, 2 req.	1.03	1.15
10	50131400	Rotor, spider gasket assy.	30.27	33.90
11	270099	Body-diffuser assy., 1-1/2 in.	63.84	71.50
11	51006900	Body-diffuser assy., 1-1/2 in. thrd., 26, 30 in. filter	59.69	66.85
12	98211400	Nut, 1/4 in. -20, 6 req.	2.03	2.27
13	85019000	Sight glass, 18, 20 in. sand filter	16.95	18.98
13	85019100	Sight glass, 22, 26 in. sand filter	16.95	18.98
14	50152300	O-ring, backwash sight glass	4.08	4.57
15	98206400	Plug, 1/4 in. NPT w/ O-ring	2.97	3.33
16	51021700	Gasket, 18, 20, 22 in. sand filter	15.21	17.04
16	39300600	O-ring, 26, 30 in. sand filter	16.04	17.96
17	51030000	Diffuser, 18, 20, 22 in. sand filters	11.82	13.24
18	272528	Top Valve Assy.	121.96	136.60

5 Position Product No.: 50115100

8 Position Product Nos.: 50118100, 50118200, & 50118300

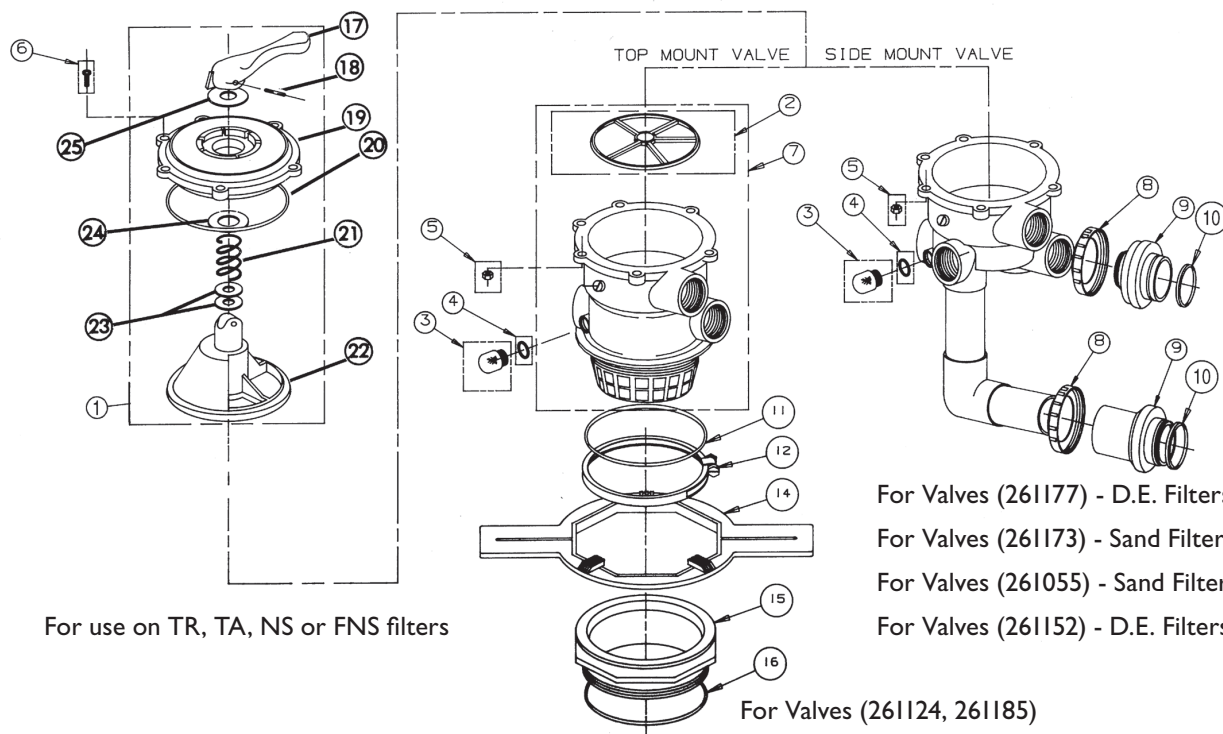


P/N 272528

Product on page 215.

Top Mount/Side Mount Valves

Replacement Parts for PacFab Multiport Valves



Item	Part No.	Description	US List	Can. List
TM/SM HIFLOW MULTIPORT VALVES				
1	270068	Top valve assy. 1-1/2 in.	154.65	173.21
1	270067	Top valve assy. 2 in.	183.90	205.97
2	271104	Gasket - diverter, 1-1/2 in.	20.67	23.15
2	271148	Gasket - diverter, 2 in.	29.76	33.33
3	272550	Sight glass	10.34	11.58
4	271106	Gasket - sight glass	2.32	2.60
5	152167	Nut, M6 s/s, 6 req.	1.28	1.43
6	152168	Screw - M6 x 30mm s/s, 6 req.	1.78	1.99
7	271145	Body - replacement w/diffuser, 1-1/2 in.	264.33	296.05
8	274407	Nut - bulkhead adapter, 2 req.	13.47	15.09
9	274404	Adapter - valve, slip 1-1/2 in.	19.47	21.81
9	274651	Adapter - valve, threaded 1-1/2 in.	10.38	11.63
9	274556	Adapter - valve thread, 2 in.	12.07	13.52
10	274494	O-ring - adapter, 2 req.	3.85	4.31
11	272541	O-ring - valve adapter, 1-1/2 in.	6.34	7.10
11	275333	O-ring - valve, 2 in.	5.41	6.06
12	152165	Clamp with screws and nuts, 1-1/2 in.	19.47	21.81
12	152130	Band assy. - valve, 2 in.	82.57	92.48

Item	Part No.	Description	US List	Can. List
14	154512	Wrench - flanged valve, 1-1/2 in.	20.47	22.93
14	151608	Wrench - adapter flange	237.62	266.13
15	155225	Adapter - flanged std. thread, 1-1/2 in.	30.23	33.86
15	154555	Adapter - flanged buttress, 1-1/2 in.	30.84	34.54
15	154521	Adapter - flange buttress thread, 2 in.	53.78	60.23
16	154493	O-ring flanged valve adapter, 1-1/2 in.	4.22	4.73
16	152501	O-ring - adapter, 2 in.	5.21	5.84
17	271156	Handle	25.76	28.85
18	271164	Pin, handle	10.38	11.63
19	271158	Valve top, white, 1-1/2 in.	46.96	52.60
19	271165	Valve top, black, 1-1/2 in.	46.96	52.60
19	271166	Top valve cover, blk, 2 in.	70.37	78.81
19	271169	Top valve cover, blk, 2 in.	70.37	78.81
20	271103	O-ring, valve top, 1-1/2 in.	12.24	13.71
20	271151	O-ring, valve top, 2 in.	15.04	16.84
21	271161	Valve spring	34.86	39.04
22	271163	Valve diffuser, 1-1/2 in.	62.67	70.19
22	271168	Valve diffuser, 2 in.	70.37	78.81
23	191479	O-ring, stem, 2 req.	1.03	1.15
24	271160	Washer, valve spring	7.61	8.52
25	271157	Washer, handle	7.61	8.52

Multiport Side Mount 1-1/2 in. Valves

Replacement Parts for Sta-Rite Valves

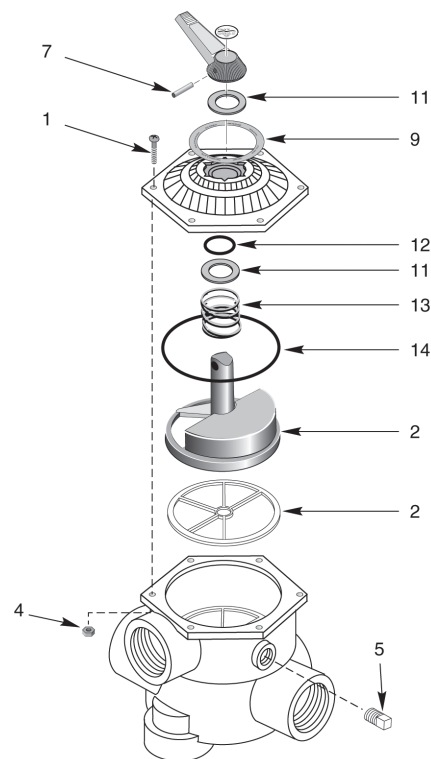


Item	Part No.	Description	US List	Can. List
MULTIPORT SIDE MOUNT 1-1/2 IN. VALVE				
1	37337-3056	Screw, 1/4-20 x 1-1/4 in. S.S.	1.75	1.96
2	14962-0017	Plug and Gasket	80.37	90.01
4	35407-4297	Hex Nut, 1/4-20 S.S.	2.64	2.96
5	WC78-40T	Plug, 1/4 in.	2.64	2.96
7	35857-0021	Dowel Pin, 5/16 x 2-1/2 in. S.S.	CALL	CALL
11	14962-0005	Washer	3.20	3.58
12	35505-1228	O-Ring	3.20	3.58
13	14962-0011	Spring	15.86	17.76
14	35505-1272	O-Ring	8.37	9.37
NOT SHOWN				
	14962-0035	Spring and O-Ring Kit, Includes Items 11, 12, 13 & 14	33.15	37.13

MODELS

14964-0014 – Hose Connection

WC212-143P – Union Connection



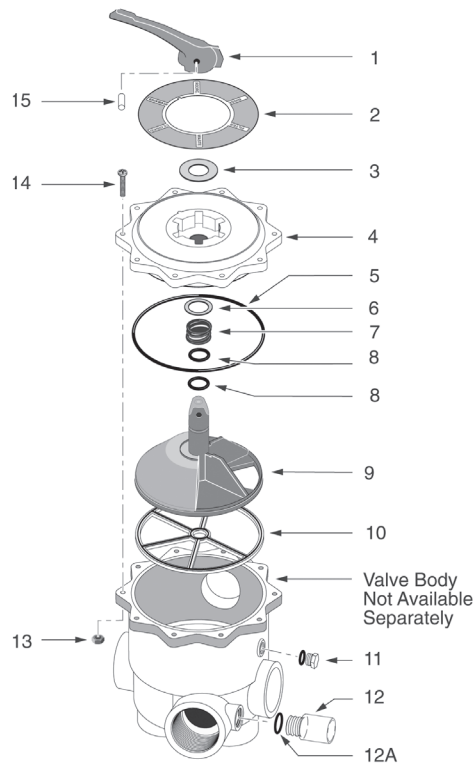
Multiport Side Mount 1-1/2 & 2 in. Valves

Replacement Parts for Sta-Rite Valves

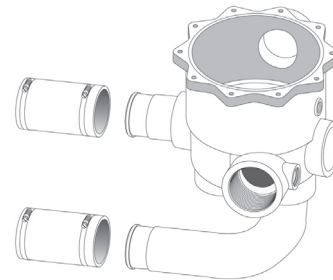


MODELS

- 18202-0150
- 18202-0150H
- 18201-0200
- 18201-0200H
- 18201-0300
- 18202-0250



Models 18202-0150, 18201-0200, and 18201-0300 include union halves as shown.



Models 18202-0150H and 18202-0200H require hose connector kits.

Item	Part No.	Description	US List	Can. List
MULTIPORT SIDE MOUNT 1-1/2 & 2 IN. VALVE				
1	I4971-SM10E1	Handle	31.40	35.17
2	32155-4136	Label Decal (2 in. Valve)	CALL	CALL
3	I4971-SM10E3	Washer	8.98	10.06
4	I4971-SM10E6	Valve Cover (1-1/2 in. Valve)	57.34	64.22
4	I4971-SM20E6	Valve Cover (2 in. Valve)	47.04	52.68
5	I4971-SM10E7	Cover O-Ring (1-1/2 in. Valve)	15.01	16.81
5	I4971-SM20E7	Cover O-Ring (2 in. Valve)	13.34	14.94
6	I4971-SM10E8	Washer	8.98	10.06
7	I4971-SM10E9	Spring	39.21	43.92
8	I4971-SM10E10	O-Ring	7.82	8.76
9	I4971-SM10E11	Plug (1-1/2 in. Valve)	51.33	57.49
9	I4971-SM20E11	Plug (2 in. Valve)	48.87	54.73
10	I4971-SM10E12	Spider Gasket (1-1/2 in. Valve)	15.67	17.55
10	I4971-SM20E12	Spider Gasket (2 in. Valve)	35.28	39.51
11	UI78-920P	1/4 in. NPT Plug w/O-Ring	2.64	2.96
12	I4971-SM10E17	Sight Glass	13.60	15.23
12A	I4971-SM10E16	Sight Glass Gasket	4.99	5.59
13	I4971-SM10E14	Nut (6 for 1-1/2 in., 10 for 2 in.)	2.11	2.36
14	I4971-SM10E4	Bolt (6 for 1-1/2 in., 10 for 2 in.)	3.16	3.54
15	I4971-SM10E2	Handle Pin	12.69	14.21
16	U9-362	O-Ring (-0150, -0200 only)	4.32	4.84

Multiport 1-1/2 in. Valves

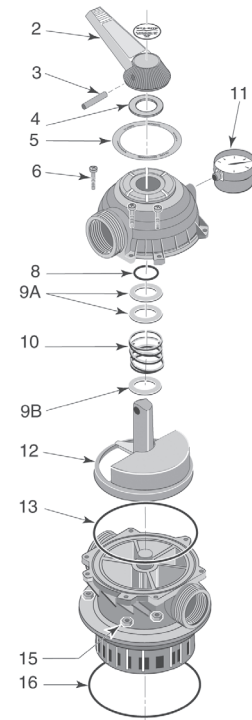
Replacement Parts for Sta-Rite Valves



Item	Part No.	Description	US List	Can. List
MULTIPORT 1-1/2 IN. VALVE				
2	14962-0032	Handle	12.13	13.59
3	35857-0021	Dowel Pin	CALL	CALL
4	14965-0007	Washer	3.06	3.43
5	14965-0020	Decal	CALL	CALL
6	37337-3056	Screw	1.75	1.96
8	35505-1228	O-Ring	3.20	3.58
9A	14965-0007	Washer	3.06	3.43
9B	14965-0007	Washer	3.06	3.43
10	14965-0006	Spring	13.25	14.84
11	190058	Gauge, Pressure	34.18	38.28
12	14965-0028	Plug and Gasket Assembly	41.53	46.51
13	35505-1275	O-Ring, Cover	5.50	6.16
15	35407-0071	Nut	4.04	4.52
16	U9-369	O-Ring, Tank Flange	13.55	15.18
NOT SHOWN				
	WC119-87	Clamp Assembly ¹	145.98	163.50

¹ Kit includes 2 hoses, 4 clamps.

MODELS
WC112-148
WC112-148A



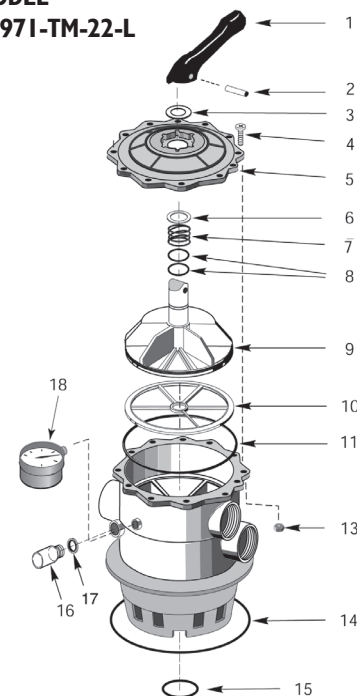
Multiport 2 in. Valves

Replacement Parts for Sta-Rite Valves



Item	Part No.	Description	US List	Can. List
MULTIPORT 2 IN. VALVE				
1	I4971-SM10E1	Handle (ABS)	31.40	35.17
2	I4971-SM10E2	Pin (S.S. 304)	12.69	14.21
3	I4971-SM10E3	Washer	8.98	10.06
4	I4971-SM10E4	Screw (S.S. 304)	3.16	3.54
5	I4971-SM20E6	Valve Cover (ABS)	47.04	52.68
6	I4971-SM10E8	Washer	8.98	10.06
7	I4971-SM10E9	Spring (S.S. 304)	39.21	43.92
8	I4971-SM10E10	O-Ring (Mitrile)	7.82	8.76
9	I4971-SM20E11	Plug & Gasket Assembly	48.87	54.73
10	I4971-SM20E12	Gasket (Kratom)	35.28	39.51
11	I4971-SM20E7	O-Ring, Cover	13.34	14.94
13	I4971-SM10E14	Nut, Hex (S.S. 304)	2.11	2.36
14	U9-369	O-Ring, Tank Flange	13.55	15.18
15	35505-1243	O-Ring, Stand Pipe	2.78	3.11
16	I4971-SM10E17	Sight Glass	13.60	15.23
17	I4971-SM10E16	Sight Glass, Gasket	4.99	5.59
18	I5060-0000T	Gauge, Pressure	36.79	41.20
NOT SHOWN				
	I4971-SM20E50	Key Assembly Items 1-10	306.97	343.81

MODEL
I4971-TM-22-L

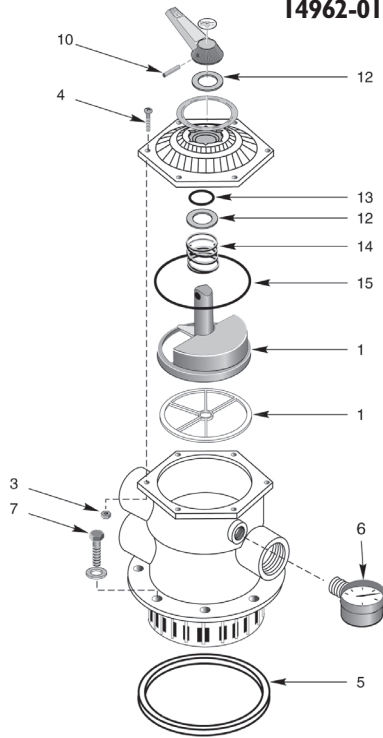


Multiport Top Mount 1-1/2 in. Valves

Replacement Parts for Sta-Rite Valves



MODEL
I4962-0105



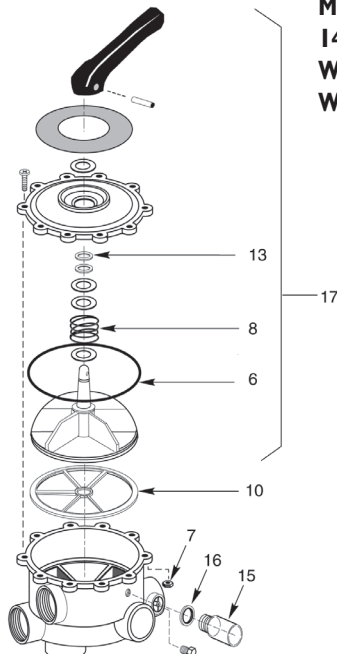
Item	Part No.	Description	US List	Can. List
MULTIPORT TOP MOUNT 1-1/2 IN. VALVE				
1	I4962-0017	Plug with Gasket	80.37	90.01
3	35407-4297	Hex Nut, 1/4-20 S.S.	2.64	2.96
4	37337-3056	Screw, 1/4-20 x 1-1/4 in. S.S.	1.75	1.96
5	I4962-0021	Square Ring, BUNA-N	16.16	18.10
6	I5060-0000T	Pressure Gauge - 0-60 PSI	36.79	41.20
7	U30-74SS	Bolt, 3/8-16 x 1 in. S.S.	3.49	3.91
10	35857-0021	Dowel Pin, 5/16 x 2-1/2 in. S.S.	CALL	CALL
12	I4962-0005	Washer, Celcon	3.20	3.58
13	35505-1228	O-Ring, Parker #2-216, BUNA-N	3.20	3.58
14	I4962-0011	Spring, Compression	15.86	17.76
15	35505-1272	O-Ring, Parker #2-255	8.37	9.37
NOT SHOWN				
	I4962-0035	Spring and O-ring Kit, includes items 12, 13, 14 & 15	33.15	37.13

Multiport Side Mount 2 in. Valve Plug & Gasket Kit

Replacement Parts for Sta-Rite Valves



MODELS
I4971-0012
WC212-38
WC212-144P



Item	Part No.	Description	US List	Can. List
MULTIPORT 2 IN. VALVE PLUG & GASKET KIT				
6	35505-1412	O-Ring ¹	35.17	39.39
7	35407-0071	Nut, 1/4 -20 S.S.	4.04	4.52
8	I4971-0006	Spring ¹	71.42	79.99
10	I4971-0005	Gasket, Valve Seat	52.82	59.16
13	35505-1223	O-Ring ¹	8.65	9.69
15	I4971-0009	Sight Glass	22.76	25.49
16	I4971-0011	Sight Glass Gasket	12.69	14.21
17	77704-0100	Cover and Plug Assembly Kit, includes items 5 & 9	CALL	270.00

¹ Kit includes 2 hoses, 4 clamps.

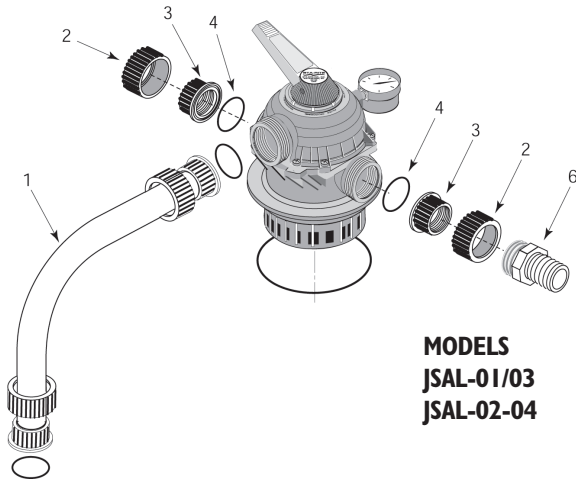
Waterford™ Sand Filter System Valve

Replacement Parts for Sta-Rite Valves



Item	Part No.	Description	US List	Can. List
WATERFORD SAND FILTER SYSTEM VALVE				
1	24203-0036	Flexible Pipe Assembly (15 in. Tank)	90.14	100.96
1	24203-0033	Flexible Pipe Assembly (18 in. Tank) ¹	94.92	106.31
1	24203-0034	Flexible Pipe Assembly (21 in. Tank) ²	97.67	109.39
3	U11-201PI	Union Adapter	CALL	CALL
4	U9-226	O-Ring, Union Coupling	1.79	2.00
6	14962-0012	Hose Adapter	7.35	8.23

Note: Flexible Pipe Assembly includes flex pipe,
 (2) O-Rings U9-226, (2) Collars U11-182PI, and
 (2) Union Adapters U11-183PI
¹ For systems prior to 2/93, use part number WC137-521P.
² For systems prior to 2/93, use part number WC137-518P.



MODELS
JSAL-01/03
JSAL-02-04

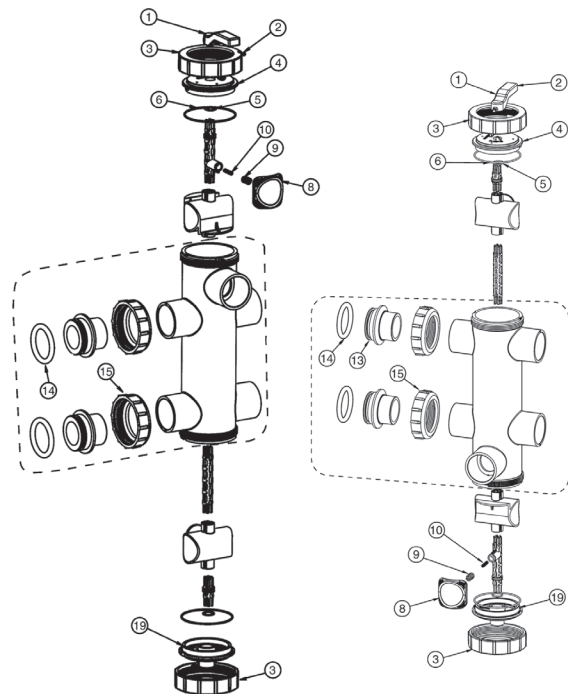
FullFlow™ Valves

Replacement Parts



Item	Part No.	Description	US List	Can. List
FULLFLOW VALVES				
1	278006	Handle	8.93	10.00
2	072536	Screw	7.56	8.47
3	278020	Cap, nut, 2 req.	7.89	8.84
4	278021	Cap, insert - top.	13.66	15.30
5	192039	O-ring #2-116 Bunan, 2 req.	0.20	0.22
6	275300	O-ring #2-154 Bunan 70, 2 req.	0.45	0.50
8	278019	Seal, waste.	16.74	18.75
9	271065	Spring, .42 o. d..	3.22	3.61
10	270006	Spring, .24 o. d..	5.13	5.75
14	274494	O-ring, adapter, 2 req.	3.85	4.31
15	274440	Nut, adapter, 2 req. ¹	13.10	14.67
19	278022	Cap insert, bottom	15.37	17.21
20	270011	Shaft Assembly	62.76	70.29

¹ Items may not be purchased separately, order item #20, Shaft Assy.



FullFlow Sand Valve
 263010
 7-1/2 in. Centerline Filters

FullFlow D. E. Valve
 263011
 7-1.2 in. Centerline Filters

Push Pull™ Valves

Replacement Parts for American Valves

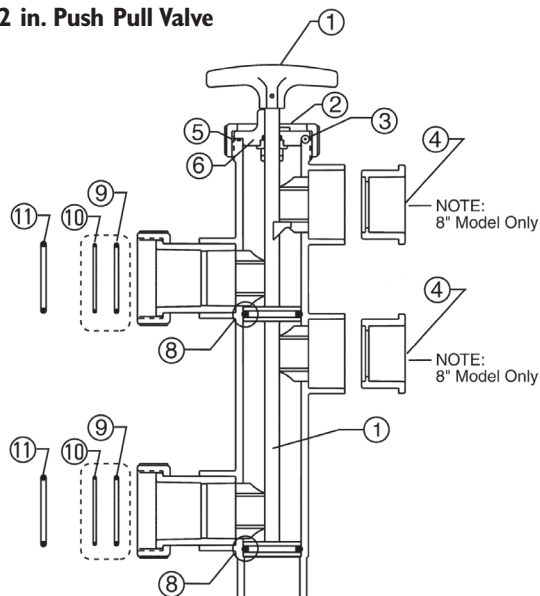


MODELS

263034 (7-1/2 in. centerline)

50290211 (8 in. centerline)

2 in. Push Pull Valve



Item	Part No.	Description	US List	Can. List
PUSH PULL VALVES				
1	51013811	Valve stem complete, w/handle	137.96	154.52
2	51013011	Nut	21.37	23.93
3	51013500	O-ring, nut	4.97	5.57
4	51013111	Reducer bushing, 2 in. male x 1-1/2 in.	20.74	23.23
5	6020006	O-ring, cap	0.05	0.06
6	51012911	Cap	20.74	23.23
8	51005000	O-ring, valve stem, 2 in., 2 req.	5.50	6.16
9	273062	O-ring, bulkhead, 8 in. model only.	1.28	1.43
10	51013500	O-ring, bulkhead, 8 in. model only	4.97	5.57
11	274494	O-ring, bulkhead, 7-1/2 in. model only	3.85	4.31

¹ Used on valves manufactured before 1-90.

² Used on valves manufactured after 1-90.

Both items 9 and 10 are included in the kit for multiple applications. Choose only the one set appropriate for your application.

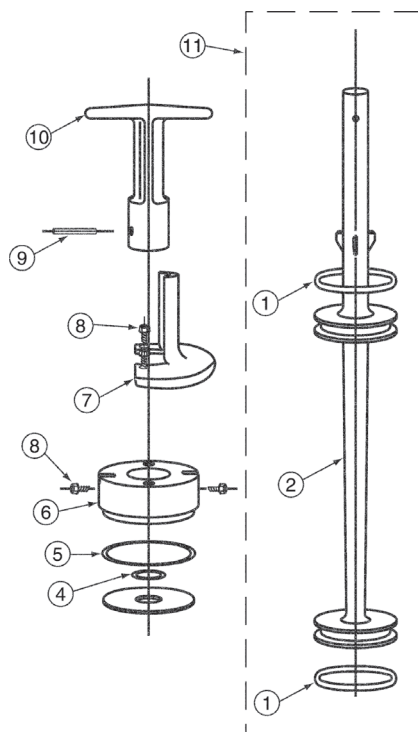
2 in. PVC Slide Valves

Replacement Parts for Slide Valves



MODELS

261047 261165



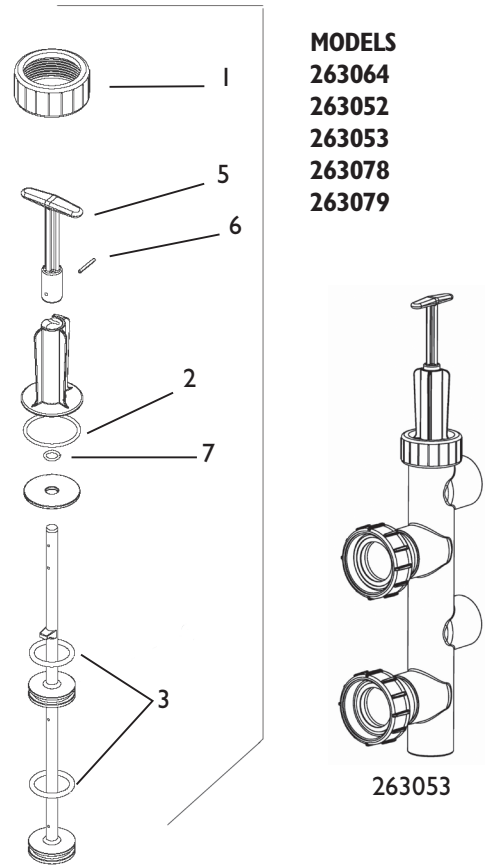
Item	Part No.	Description	US List	Can. List
MULTIPORT 2 IN. VALVE				
1	273090	O-ring - 1-1/2 in. i.d. x 3/16 in. dia., 2 req.	2.07	2.32
2	273106	Piston Shaft	81.12	90.85
4	JV18	O-ring Kit	0.89	1.00
5	273062	O-ring - 2-1/8 in. i. d. x 1/8 in. dia.	1.28	1.43
6	273077	Plug - 5/8 in. i.d. x 2-3/8 in. o.d.	4.71	5.28
7	273064	Position Bracket	25.33	28.37
8	273071	Screw - #14 - 18-8 s/s, 4 req.	1.37	1.53
9	273063	Pin - 1/8 in. dia. x 1-1/8 in. long s/s.	2.32	2.60
10	273089	Handle for plastic shaft - 5/8 in. i.d.	13.47	15.09
11	273241	Piston rod assy.	87.93	98.48
NOT SHOWN				
	154566	Sight glass - 2 in. clear	11.90	13.33

Slide Valves

Replacement Parts for Slide Valves



Item	Part No.	Description	US List	Can. List
SLIDE VALVE				
1	270141	Nut, Black SF PMP/VLV PSHPL	15.51	17.37
2	273062	O-ring	1.28	1.43
3	51005000	O-ring	5.50	6.16
4	263055	Kit, Piston Shaft Assembly	83.89	93.96
5	270134	Handle	13.48	15.10
6	273063	Pin	2.32	2.60
7	6020006	O-ring	CALL	CALL
NOT SHOWN				
	263054	Kit, O-rings. Includes all valve O-rings.	16.12	18.05



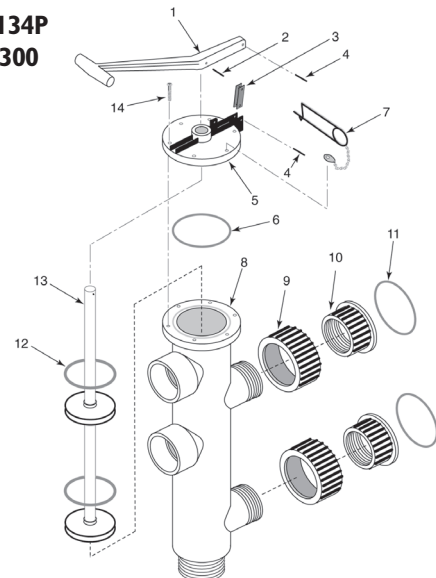
MODELS
263064
263052
263053
263078
263079

Plastic Valve

Replacement Parts for Sta-Rite Plastic Valves

Item	Part No.	Description	US List	Can. List
PLASTIC VALVE				
5	14930-0012	Index Plate Assembly	25.05	28.06
6	35505-1246	Index Plate O-Ring	3.47	3.89
7	WC30-84	Lock Pin Assembly	12.69	14.21
10	U11-199P	Union Adapters Assembly	7.82	8.76
11	U9-362	O-Ring	4.32	4.84
12	35505-1246	O-Ring	3.47	3.89
14	37107-0085	Screw	3.47	3.89
NOT SHOWN				
	14930-0031	Handle Lever Kit, Includes Items 1, 2, 3 & 5	74.33	83.25
	14930-0032	Index Plate Kit, Includes Items 4, 5 & 6	32.02	35.86
	14930-0033	Piston Assembly, Includes Items 12 & 13	122.31	136.99
	35505-1116	Shaft O-Ring	3.20	3.58

MODELS
WC212-134P
14935-0300

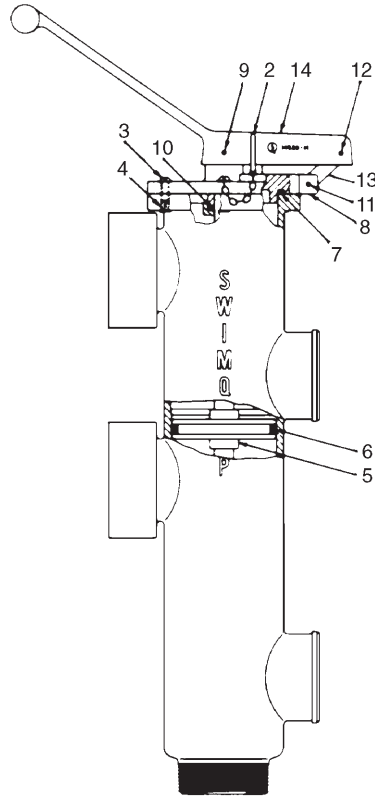


Plastic Slide Valve

Replacement Parts for Sta-Rite Plastic Slide Valve



MODEL
WC212-134P
14936-0000



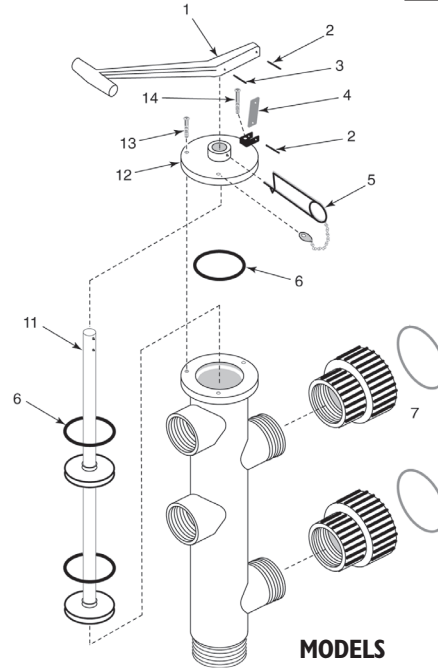
Item	Part No.	Description	US List	Can. List
PLASTIC SLIDE VALVE				
2	WC30-84	Lock Pin Assembly	12.69	14.21
3	37107-0085	Screw	3.47	3.89
4	34302-0518	Brass Insert	2.03	2.27
5	14930-0033	Piston Assembly	122.31	136.99
6	35505-1318	O-Ring	4.04	4.52
7	35505-1246	O-Ring	3.47	3.89
8	14930-0012	Index Plate	25.05	28.06
9	51009500	Spring Pin	CALL	CALL
10	35505-1116	O-Ring	3.20	3.58
11	51009500	Spring Pin	CALL	CALL
12	35817-0056	Spring Pin	3.47	3.89
13	14930-0016	Lever Linkage	3.20	3.58
14	14930-0014	Handle	77.20	86.46

Bronze Valves

Replacement Parts for Sta-Rite Valves



Item	Part No.	Description	US List	Can. List
BRONZE VALVE				
1	14821-0005	Lever Handle	50.74	56.83
2	35817-0056	Spring Pin	3.47	3.89
3	51009500	Spring Pin	CALL	CALL
4	14821-0008	Linkage	6.95	7.78
5	WC30-84	Lock Pin Assembly	12.69	14.21
6	35505-1401	O-Ring	4.32	4.84
7	77703-0100	Union Kit	36.80	41.22
8	38405-4089	Union Adapter	CALL	CALL
11	14819-0011	Piston Assembly, 1-1/2 in.	122.31	136.99
11	14823-0011	Piston Assembly, 2 in.	138.84	155.50
12	14821-0007	Index Plate	156.98	175.82
13	37062-0130	Screw	3.47	3.89
14	37062-0134	Screw	3.47	3.89
NOT SHOWN				
	35505-1116	O-Ring	3.20	3.58
	14821-0067	Handle Replacement Kit ¹	260.83	292.13



MODELS
WC12-135D – 1-1/2 in.
WC12-136D – 2 in.

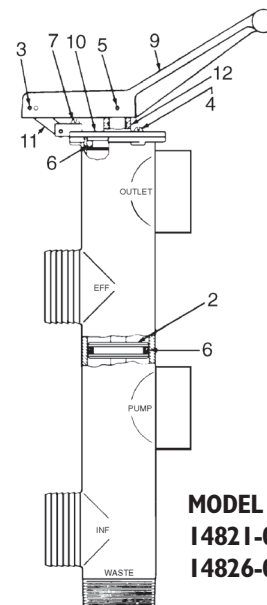
¹ Includes items 1, 2, 4, 6, 12, 13, 14 and 15.

Bronze Slide Valves

Replacement Parts for Sta-Rite Valves



Item	Part No.	Description	US List	Can. List
BRONZE SLIDE VALVE				
2	14819-0011	Piston Assembly with O-Rings	122.31	136.99
3	35817-0056	Spring Pin	3.47	3.89
4	37062-0130	Screw	3.47	3.89
5	51009500	Spring Pin	CALL	CALL
6	35505-1401	O-Ring (Model 14821-6000)	4.32	4.84
6	35505-1313	O-Ring	4.04	4.52
7	37062-0134	Screw	3.47	3.89
9	14821-0005	Level Handle	50.74	56.83
10	14821-0007	Index Plate	156.98	175.82
10	14823-0016	Index Plate (Model 14826-0000)	145.78	163.27
11	14821-0008	Linkage	6.95	7.78
12	35505-1116	O-Ring	3.20	3.58
NOT SHOWN				
	14821-0067	Handle Replacement Kit ¹	260.83	292.13



MODEL
14821-0000 – 1-1/2 in.
14826-0000 – 2 in.

¹ Includes items 3, 4, 5, 7, 9, 10, 11 and 12.