

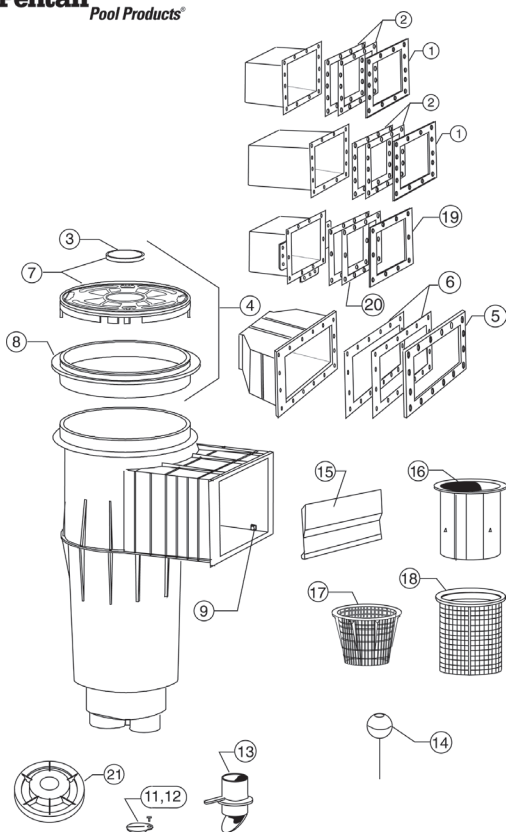


White Goods Parts

Replacement Parts for
White Goods

Admiral™ Skimmers

Replacement Parts



Item	Part No.	Description	US List	Can. List
ADMIRAL SKIMMERS				
1	85004200	Frame, sealing liner, white std. 12 hole pattern	16.50	18.48
1	85004211	Frame, sealing liner, black std. 12 hole pattern	16.50	18.48
1	85004213	Frame, sealing liner, grey std. 12 hole pattern	16.50	18.48
2	85001600	Gasket set, liner, std. 12 hole pattern	23.54	26.36
3	510161	Disk, logo	4.00	4.48
4	85000400	Lid/ring seat, complete, white	32.50	36.40
4	85000411	Lid/ring seat, complete, black	30.95	34.66
4	85018000	Lid/ring seat, complete, tan	32.50	36.40
5	85007600	Frame, sealing liner, wide mouth, white	34.28	38.39
6	85007700	Gasket, sealing liner, wide mouth (2), white	30.82	34.52
7	85007400	Lock down lid, white	20.58	23.05
7	85007411	Lock down lid, black	20.78	23.27
7	85007413	Lock down lid, grey	20.58	23.05
7	85007430	Lock down lid, tan	20.78	23.27
8	85000600	Ring seat only, 9 in. diameter, white	12.20	13.66
8	85017900	Ring seat only, 9 in. tan	13.99	15.67
9	85017500	Pivot tab for flap weir	0.96	1.08

Item	Part No.	Description	US List	Can. List
11	85002400	Trimmer valve plate, residential	4.30	4.82
12	98204400	Screw for trimmer plate, 10-24 x 1/2 in.	1.90	2.13
13	85002600	Vari-flo control insert only	9.30	10.42
14	85002000	Ball valve assembly, complete	20.63	23.11
15	85001500	Flap weir	23.54	26.36
16	R38013B	Floating weir, circular	13.00	14.56
17	85014500	Basket, tapered	19.74	22.11
17	85014600	Basket, tapered (S-20 Model Only)	10.66	11.94
18	R38013A	Basket, for floating weir	18.58	20.81
19	85000300	Frame, liner, American 10 hole pattern	39.43	44.16
20	81111800	Gasket set, large 10 hole pattern, w/dbl. wall	12.53	14.03
20	81111700	Gasket set, large 10 hole pattern, w/o dbl. wall	12.53	14.03
21	85015200	Equalizer assembly	36.68	41.08
NOT SHOWN				
	85000700	Square ring seat 10-1/2 in. x 10-1/2 in.	18.64	20.88
	98202600	Screw, sealing ¹	3.15	3.53
	98202700	Screw, sealing ¹	3.19	3.57
	98202900	Screw, sealing ²	1.50	1.68
	98207200	Screw, sealing ²	1.76	1.97
	98203000	Screw ²	1.82	2.04
	85008500	Screw kit, American 10 hole pattern	CALL	CALL
	85008600	Screw kit, American 10 hole pattern, extra long	16.63	18.63
	85008700	Screw kit, std. 12 hole pattern	16.63	18.63
	85008800	Screw kit, std. 12 hole pattern, extra long	16.63	18.63
	85015100	O-ring, skimmer bottom	6.61	7.40
	355330	O-ring, equalizer	1.40	1.57
	85016600	Rubber stopper, flap weir	4.28	4.79
	98213000	Screw, 8-32 x 5/8 in. commercial lid	1.51	1.69
	98208500	Washer, gum commercial lid	1.57	1.76
	85014700	Handle, basket	4.26	4.77
	85007200	Angle bracket	CALL	CALL
	85012800	Track-VF skimmer	CALL	CALL
	85014200	Trimmer, equalizer	CALL	CALL
	85009500	Skimmer Lid (Old Style)	21.95	24.58

¹ Used on skimmers manufactured before 2-1-76.

² Used on skimmers manufactured after 2-1-76.

Product on pages 234–235.

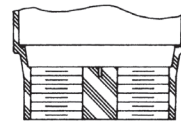
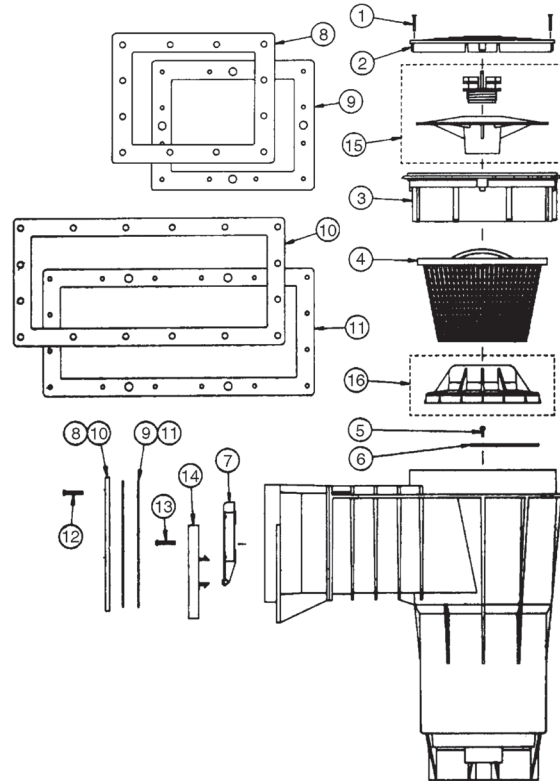
Replacement baskets on page 125.

Bermuda™ Skimmers

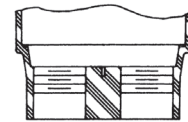
Replacement Parts for Gunite & Vinyl Liner Skimmers



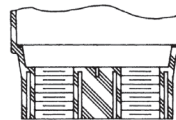
Item	Part No.	Description	US List	Can. List
BERMUDA SKIMMERS				
1	516242	Screw, No.8-32 x 1 in. SS, 2 req.	1.07	1.20
2	516215	Deck lid, white	20.78	23.27
2	516216	Deck lid, tan	20.78	23.27
2	516306	Deck lid, black	20.78	23.27
3	516259	Deck collar, vinyl, white	22.95	25.70
3	516260	Deck collar, vinyl, tan	24.57	27.52
3	516307	Deck collar, vinyl, black	27.73	31.06
3	516253	Deck collar, gunite, white	18.34	20.54
3	516258	Deck collar, gunite, tan	21.41	23.98
3	516329	Deck collar, gunite, black	23.43	26.24
4	516112	Basket	22.56	25.27
5	516243	Screw, No.8 x 1/2 in. SS	0.23	0.26
6	516228	Trimmer plate	4.30	4.82
7	516252	Weir gate assembly, white	17.00	19.04
7	516315	Weir gate assembly, black	18.99	21.27
8	516264	Face plate kit, standard throat, white	68.35	76.55
8	516324	Face plate kit, standard throat, black	50.51	56.57
9	552566	Gasket, standard throat, 2 req.	5.70	6.38
10	516265	Face plate kit, widemouth throat, white	68.09	76.26
11	516231	Gasket, widemouth throat, 2 req.	8.86	9.92
12	516239	Screw, No. 12-8 x 1 in. SS, std. face plate	1.07	1.20
12	516345	Screw, No.12-8 x 1-1/4 in. SS, std. face plate		
13	516241	Screw, No.12-8 x 1-1/4 in. SS, 4 req.	4.30	4.82
14	516237	Flange spacer, 3 req.	4.30	4.82
OPTIONS				
15	506161	Vacuum plate assembly	18.64	20.88
16	506160	Float valve assembly	48.96	54.84
16	195829	2 in. O-ring style plug	6.61	7.40
16	192323	2 in. O-ring for 195829 plug	5.01	5.61
16	191474	1-1/2 in. O-ring for 191368 plug	0.74	0.83
16	506162	Equalizer valve assembly	37.66	42.18
NOT SHOWN				
	516254	Lid/collar set, white	63.73	71.38
	516328	Lid/collar set, black	63.73	71.38
	516261	Lid/collar set, tan	63.73	71.38



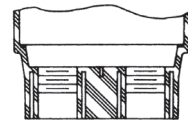
2 in. NPSM Thread



2 in. NPSM Thread
2 in. Slip



1-1/2 in. NPSM Thread



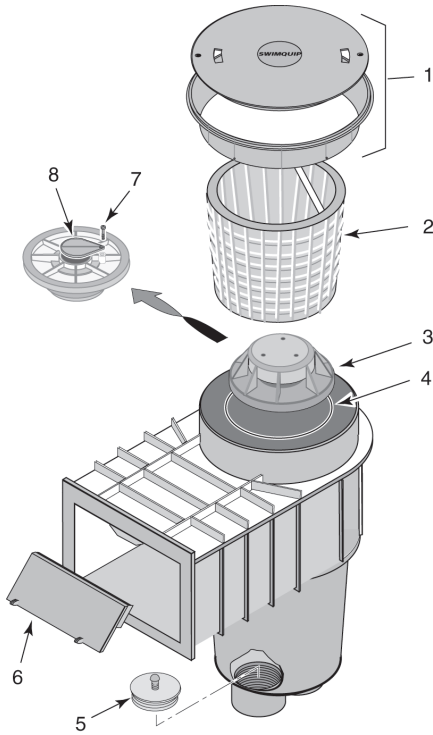
1-1/2 in. NPSM Thread
1-1/2 in. Slip

¹ For skimmers manufactured after 2/1/93.

Product on pages 236–237.

Replacement baskets on page 125.

U-3 Skimmer Replacement Parts

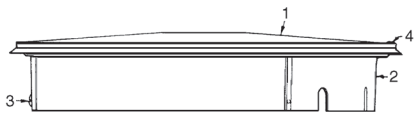


Product on page 244–245.

Item	Part No.	Description	US List	Can. List
U-3 SKIMMER PARTS				
1	08650-0169	Lid and Collar - White (Model 09655-2403, 09655-2404)	17.71	19.84
1	08650-0159	Lid and Collar - Tan (Model 09655-1403, 09655-1404)	17.71	19.84
1	08650-0169C	Lid and Collar (Gray)	17.71	19.84
2	08650-0007	Basket and Handle	8.19	9.17
3	08650-0079	Float Assembly with O-Ring ¹	25.97	29.09
4	35505-1273	Float O-Ring Only ¹	14.15	15.85
5	08655-0017	Check Valve ¹	22.23	24.90
6	08650-0022	Hinged Weir Assembly	20.25	22.68
7	37207-0027	Screw, #8 x 1/2 in. ¹	3.20	3.58
8	08650-0048	Trimmer Plate ¹	4.91	5.50
NOT SHOWN				
	37207-0825	Screw, #8 x 3/8 in. Pan Head	3.20	3.58
	08650-0018	Weir Bumper	4.32	4.84
	08650-0067	Basket Handle Only	9.53	10.67
	U78-820P	Reducer, 2 x 1-1/2 in. NPT (Model 09655-1403, 09655-2403)	10.18	11.40
	U78-858P	Reducer, 2 x 1-1/2 in. Slip (Model 09655-1404, 09655-2404)		
	U9-366	Gasket 2	5.80	6.50
	37416-0004	Screw, #12-14 x 1 in. Flat Head (Model 09655-1404, 09655-2403, 09655-2404)	0.79	0.88
	37416-0005	Screw, #12-14 x 1-1/2 in. Flat Head (Model 09655-1403)		
	U36-105SS	Nut, Hex #10-24 ²		
	WC2-8P	Face Plate ²	23.08	25.85
	09655-0010	Skimmer Spacer Block ²		7.31
	08650-0042	Vacuum Plate ¹	18.78	21.03
	WC37-503P	Skimmer Extension Collar ²	25.73	28.82

¹ For Use on Residential U-3 Skimmer Models. Must purchase if skimmer does not come with a float.

² For Use on Vinyl Liner Skimmers.

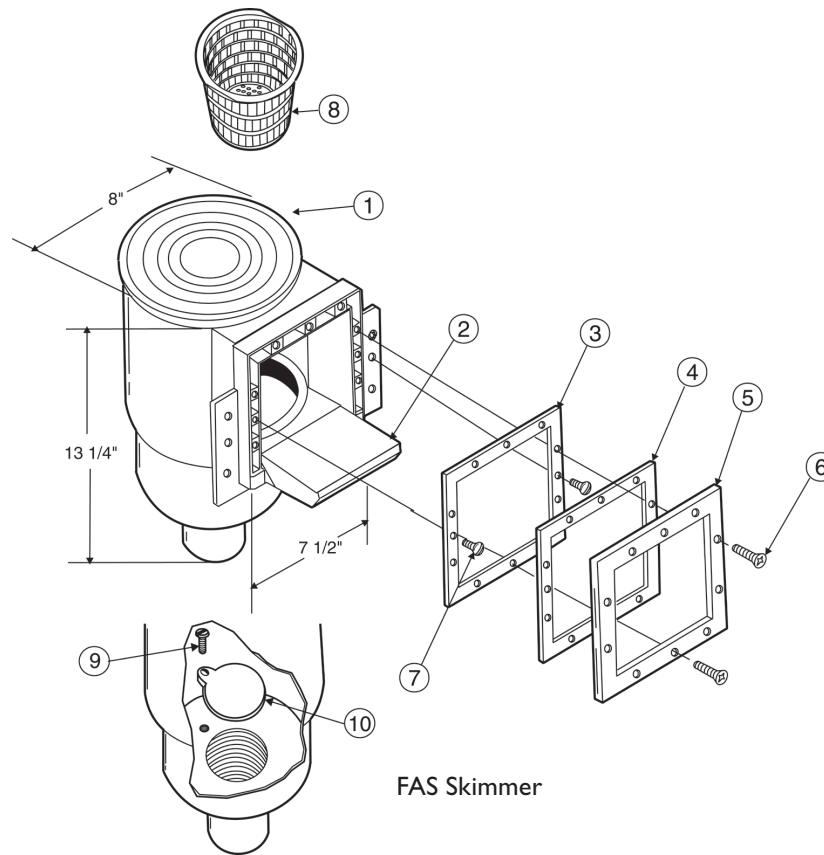


Product on pages 238–239.

Item	Part No.	Description	US List	Can. List
U-3 SKIMMER LIDS AND COLLARS				
1	08650-0058	Lid Only (White)	18.19	20.37
1	08650-0158	Lid Only (Tan)	18.19	20.37
1	08650-0058C	Lid Only (Gray)	18.75	21.00
2	08650-0025	Collar Only (White)	17.73	19.86
2	08650-0125	Collar Only (Tan)	17.73	19.86
2	08650-0025C	Collar Only (Gray)		
3	08650-0069	Hardware	3.17	3.55

Skimmers for Aboveground Pools

Replacement Parts

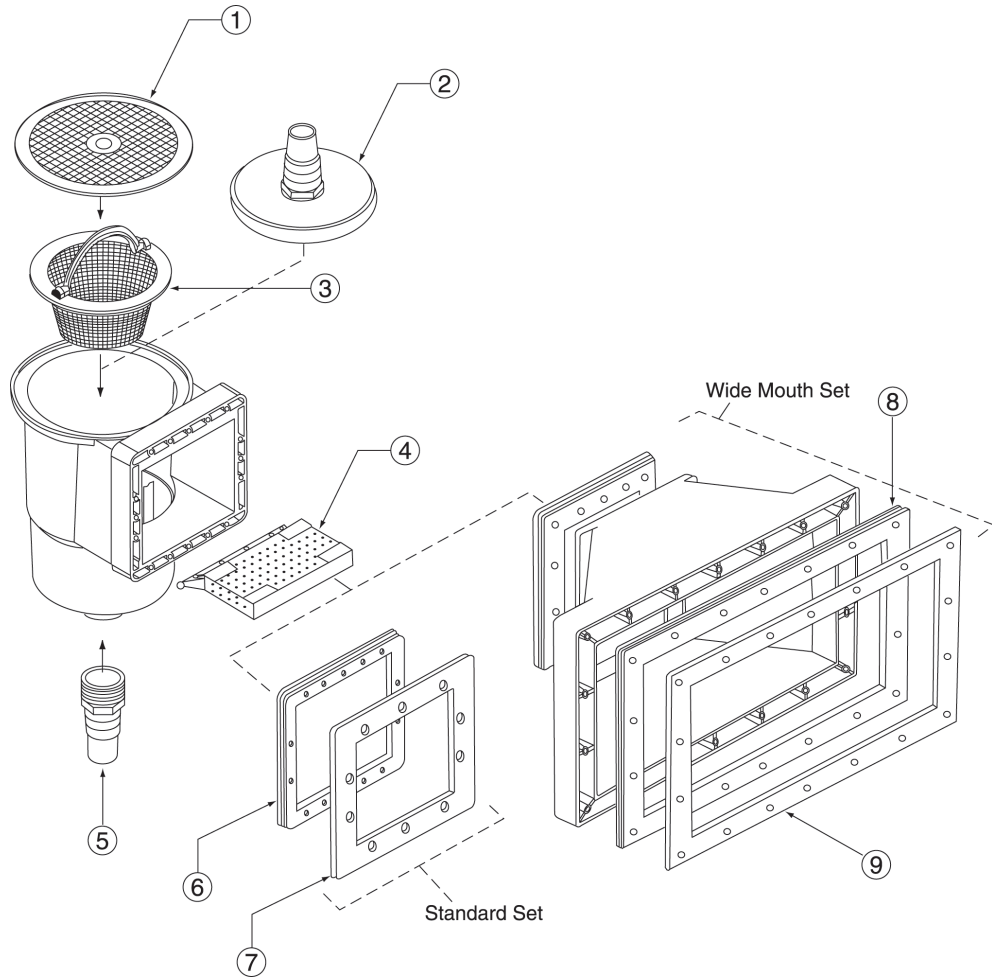


FAS Skimmer

Item	Part No.	Description	US List	Can. List
FAS 100® SKIMMERS				
1	85004700	Lid for optional top access	12.12	13.57
2	85003200	Flap weir	29.04	32.52
3	85003300	Gasket, sealing rear (thick)	5.67	6.35
4	85003400	Gasket, sealing front	5.67	6.35
5	85004000	Sealing frame	10.69	11.97
6	98207200	Screw, sealing 13-16 x 1-1/4 in. high-low, XL	1.76	1.97
6	98202900	Screw, SS sealing phil. 13-16 x 1 in., high-low fh.	1.50	1.68
7	98203000	Screw, SS retainer slot. 13-16 x 3/4 in. high-low pph.	1.82	2.04
8	85003900	Basket	11.34	12.70
9	98204400	Screw, SS 10-24 x 1/2 in. pph. for trimmer plate	1.90	2.13
10	85009600	Plate, trimmer	3.86	4.32
NOT SHOWN				
	85002800	Plate, vacuum adapter	3.86	4.32
	85002900	Elbow for vacuum adapter plate	12.84	14.38
	510166	Hose adapter, 1-1/2 in. MIPT x 1-1/4 in.	1.50	1.68
	85009700	Screw kit, std.	16.63	18.63
	85009800	Screw kit, extra long screws	16.63	18.63
	85017600	Pivot tab, for flap weir	0.96	1.08

HydroSkin® Skimmers

Replacement Parts



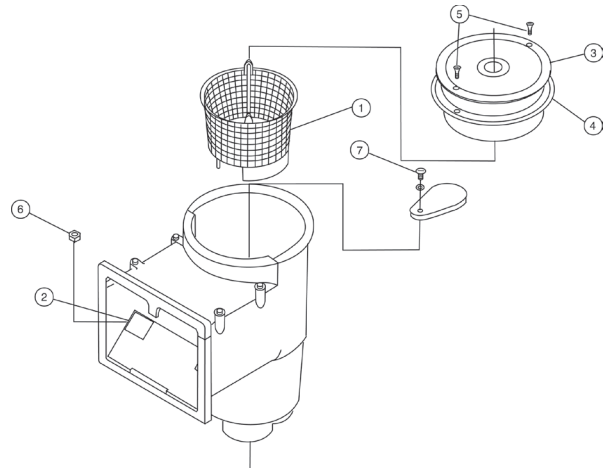
Item	Part No.	Description	US List	Can. List
HYDROSKIM SKIMMERS				
1	513333	Lid, white	3.86	4.32
1	513335	Lid, grey	3.86	4.32
2	513351	Vacuum plate	4.27	4.78
3	513330	Basket	3.86	4.32
4	513352	Weir door	3.86	4.32
5	510166	Hose adapter	1.50	1.68
6	513331	Gasket	2.90	3.25
7	513339	Sealing frame, white	4.55	5.10
7	513340	Sealing frame, black	4.55	5.10
7	513341	Sealing frame, grey	4.55	5.10
8	513332	Gasket, wide mouth	4.81	5.39
9	513345	Sealing frame, wide mouth, white	7.58	8.49
9	513346	Sealing frame, wide mouth, black	7.58	8.49
9	513347	Sealing frame, wide mouth, grey	7.58	8.49

SkimClean™ Skimmers

Replacement Parts



Item	Part No.	Description	US List	Can. List
SKIMCLEAN SKIMMERS				
1	513036	Basket	28.41	31.82
2	513027	Weir	19.72	22.09
3	513030	Deck lid	22.37	25.05
4	513031	Deck ring	16.94	18.97
5	512149	Screw, No. 6-32 x 7/16 in. SS, 2 req.	1.07	1.20
6	192106	Nut, 1/4 in., 20 SS, 2 req.	CALL	CALL
7	98204400	Screw, No. 10-24 x 12 in.	1.90	2.13



Product on page 240.

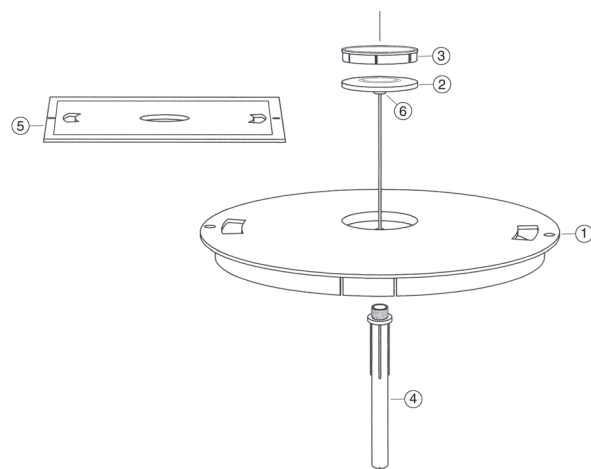
Replacement baskets on page 125.

Skimmer Lid with Thermometer

Replacement Parts



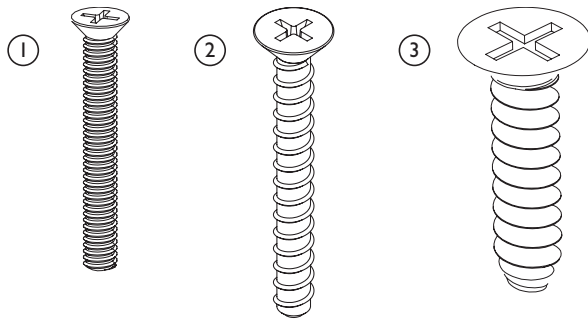
Item	Part No.	Description	US List	Can. List
SKIMMER LID				
1	LIRW	SwimQuip®, Swimrite®, Jacuzzi®, New Style Hayward®, 9-7/8 in., white	25.57	28.64
1	LIRG	Grey	21.31	23.87
1	LIRB	Almond	21.31	23.87
1	L2R	Baker, Hydro®, 9-7/8 in., white	21.31	23.87
1	L4RW	American Products®, 9-3/16 in. round, white	12.52	14.02
1	L4RG	Grey	28.36	31.76
1	L4RB	Almond	28.36	31.76
1	L5R	PacFab®, Old Style, 8-3/8 in., white	16.68	18.68
1	L6RW	PacFab, Bermuda, 9-1/4 in., white	28.36	31.76
1	L6RG	Grey	17.15	19.21
1	L6RB	Almond	25.53	28.59
2	SK	Thermometer w/bushing	47.74	53.47
2,4	SKR	Thermometer w/tube & bushing	57.45	64.34
3	SKC	Cap for skimmer lid, (white, almond, grey)	7.22	8.09
4	SKTU	Protector tube	9.38	10.51
5	L3R	Hayward®, square, 10 in. x 10 in., white	22.13	24.79
6	SKB	Bushing for thermometer	2.34	2.62



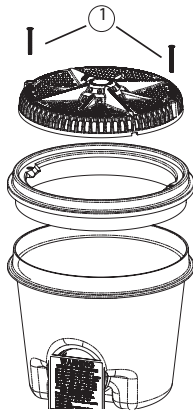
Product on page 240.

StarGuard® Main Drains

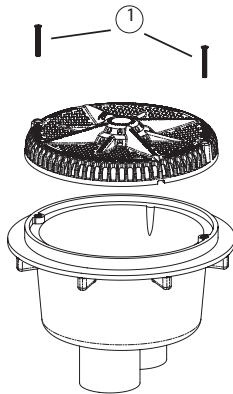
Replacement Parts



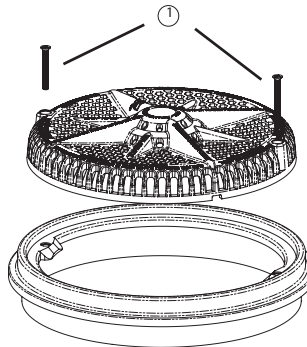
Item	Part No.	Description	US List	Can. List
ADMIRAL SKIMMERS				
1	510543Z	Kit includes 2 screws	3.15	3.53
2	510583Z	Kit includes 2 screws	2.57	2.88
3	510592Z	Kit includes 8 screws	CALL	CALL
4	07017-0079	Gasket	14.29	16.00
5	500135	Vinyl ring and gasket kit	70.90	79.41



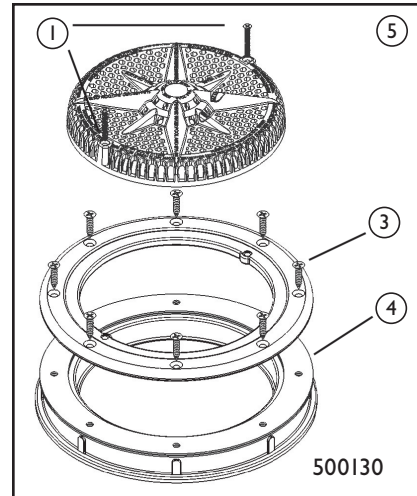
500110-500120



500120-500125



500100-500109
500140-500149



500130

Product on pages 242–243.

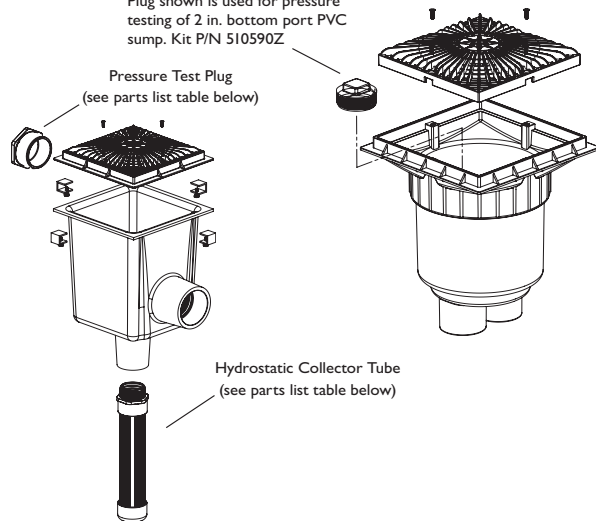
StarGuard® Square Commercial Main Drains

Replacement Parts

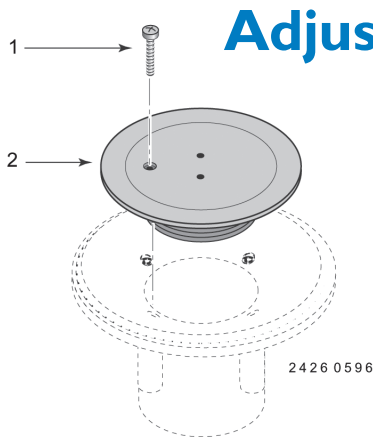
Item	Part No.	Description	Assembly	US List	Can. List
FIBERGLASS SUMP ASSEMBLY					
1	510631Z	Plug, Thd, 3 in., Sch 40	9 in. x 9 in.	CALL	CALL
2	510632Z	Plug, Thd, 4 in., Sch 40	12 in. x 12 in. (w/ 4 in. side port)	CALL	CALL
3	510633Z	Plug, Thd, 6 in., Sch 40	12 in. x 12 in. (w/ 6 in. side port)	CALL	CALL
4	510634Z	Plug, Thd, 8 in., Sch 40	18 in. x 18 in.	CALL	CALL
5	510642Z	2 in. NPT Plug	All	CALL	CALL
6	510636Z	Hydrostatic Relief Collector Tube	All	CALL	CALL

Note: All fiberglass drain assemblies include 2 in. NPT plug, 2 in. hydrostatic collector tube, and side port pressure testing plug up to 8 in.

Plug shown is used for pressure testing of 2 in. bottom port PVC sump. Kit P/N 510590Z



Product on pages 243–244.

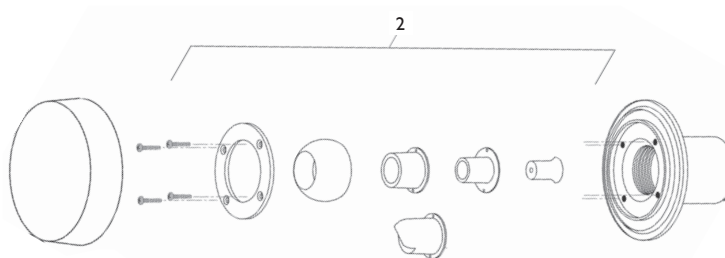


Adjustable Floor Inlet Fitting

Item	Part No.	Description	Qty	US List	Can. List
EQUALIZER SUCTION FITTING KIT					
1	37207-0430	Screw, No. 8 x 1 in., SS	1	2.90	3.25
2	08417-0005	Cover plate, white ¹	1	21.89	24.52
2	08417-0005B	Cover plate, grey ¹	1	21.89	24.52
2	08417-0005C	Cover plate, black ¹	1	21.89	24.52

¹ To be used only as floor inlet fitting(s).

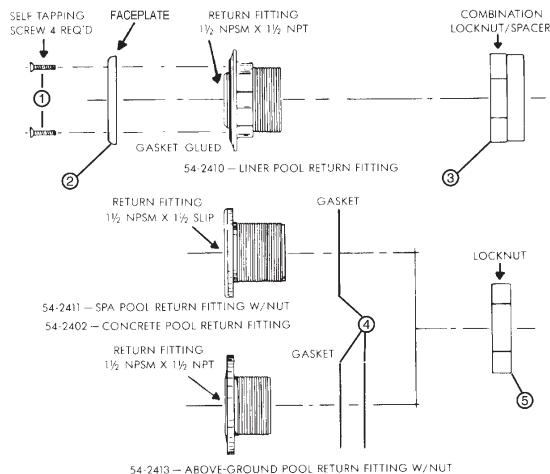
Pool Inlets



Item	Part No.	Description	Qty.	US List	Can. List
EYEBALL INLETS					
1	08429-0014	Body, 08429-0000, 1-1/2 in. inlet, white	1	CALL	CALL
1	08428-0014B	Body, 08428-0100, 1-1/4 in. inlet, grey	1	CALL	CALL
2	08428-0001	Inlet Eyeball Kit, white, includes: Screw, No. 8, 32 x 1/2 in.; Face plate; Ball; nozzle - 3/4 in.; Right angle nozzle; Nozzle - 1/2 in.; Nozzle - 3/16 in.	1	32.09	35.94
2	08428-0001B	Inlet Eyeball Kit, grey, includes: Screw, No. 8, 32 x 1/2 in.; Face plate; Ball; nozzle - 3/4 in.; Right angle nozzle; Nozzle - 1/2 in.; Nozzle - 3/16 in.	1	CALL	31.96
NOT SHOWN					
	08428-0125	Eyeball inlet kit		16.54	18.52

Product on page 245.

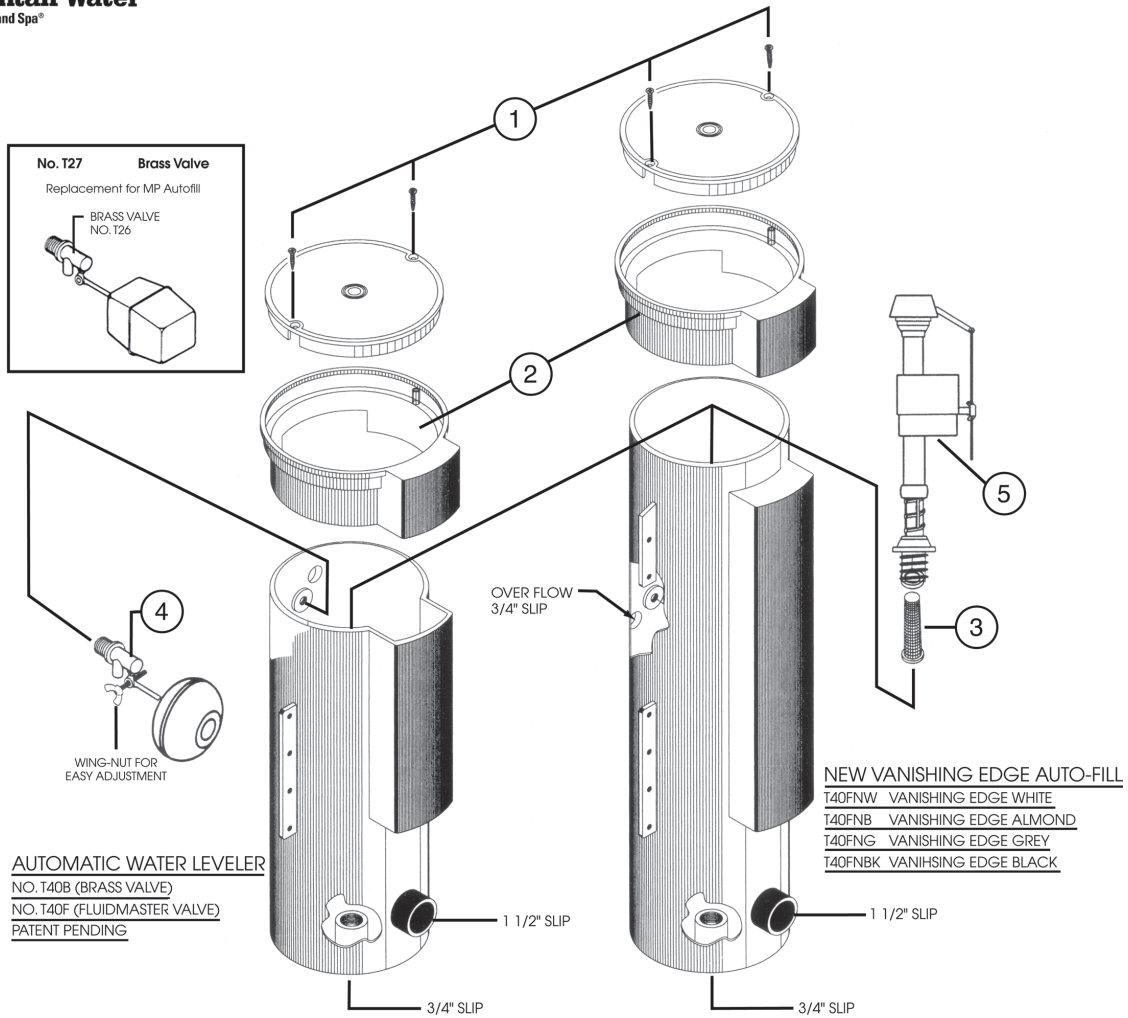
Wall Fittings



Item	Part No.	Description	US List	Can. List
WALL FITTINGS				
1	552472	Screw, No.12 x 1 in. flat phillips, 4 req.	1.07	1.20
2	545100	Face plate, white for 542410 / 86205100	1.06	1.19
2	545101	Face plate, black for 542420 / 86205101	1.06	1.19
2	545103	Face plate, grey for 86205103	1.06	1.19
4	552496	Cork gasket	0.83	0.93
4	552406	Gasket, 2 req.	1.07	1.20
5	154412	Locknut	7.81	8.75

Automatic Water Fillers

Replacement Parts

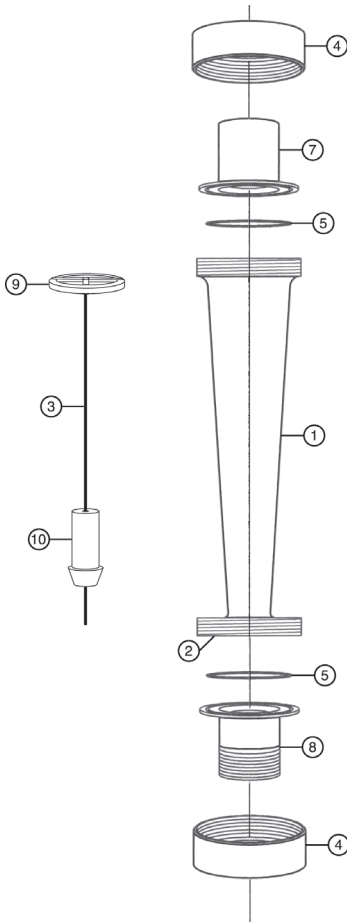


Item	Part No.	Description	US List	Can. List
AUTOMATIC WATER FILLERS				
1	T10W	AutoFill lid, with screws, white	14.13	15.83
1	T10B	AutoFill lid, with screws, almond	14.13	15.83
1	T10G	AutoFill lid, with screws, grey	14.13	15.83
1	T10BK	AutoFill lid, with screws, black	14.13	15.83
2	T16W	AutoFill top ring, white	15.53	17.39
2	T16B	AutoFill top ring, almond	15.53	17.39
2	T16G	AutoFill top ring, grey	15.53	17.39
2	T16BK	AutoFill top ring, black	15.53	17.39
3	T24	Debris screen w/washer	6.64	7.44
4	T26	Brass valve	42.49	47.59
5	T29	Fluidmaster® valve	25.78	28.87
NOT SHOWN				
	370006	T-40 FW Parts Bag	54.81	61.39

Flowmeters

Made For Liquid Applications

Replacement Parts



Item	Part No.	Description	US List	Can. List
FLOWMETERS				
1	FS1	Flowmeter body (1-10 GPM)	90.07	100.88
1	FS2	Flowmeter body (2-16 GPM)	90.07	100.88
1	FS3	Flowmeter body (1/2-5 GPM)	90.07	100.88
1	FL2	Flowmeter body (2-40 GPM)	22.85	25.59
2	FSBG	Bottom guide support, small	11.43	12.80
3	FSGW	Guide wire, small	22.34	25.02
3	FLGW	Guide wire, large	8.57	9.60
4	FSKN	Knurled nut, small	36.70	41.10
4	FLKN	Knurled nut, large	42.86	48.00
5	FSO	O-ring, small	2.34	2.62
5	FLO	O-ring, large	2.16	2.42
7	FSSE	3/4 in. Sweat end, small	33.83	37.89
7	FLSE	1 in. Sweat end, large	26.71	29.92
8	FSNE	Nylon end, small	9.94	11.13
8	FSTE	Threaded end 1 in., small	36.92	41.35
8	FLTE1	Threaded end 1 in., large	59.80	66.98
8	FLTE2	Threaded end 1-1/2 in., large	85.70	95.98
9	FSTG	Top guide support, small	11.43	12.80
9	FLTG	Top guide support, large	17.15	19.21
NOT SHOWN				
	F2	Float (1-10 GPM)	28.27	31.66
	F3	Float (2-16 GPM)	28.27	31.66
	F4	Float (.5-5 GPM)	30.52	34.18
	F5	Float (2-40 GPM)	22.85	25.59
	F6	Float (8-75 GPM)	22.85	25.59
	F7	Float (15-100 GPM)	28.57	32.00

