



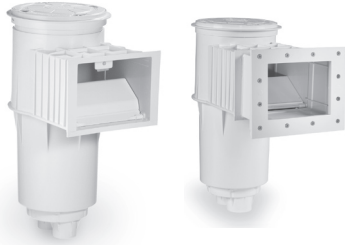
White Goods

White Goods
for Pools & Spas

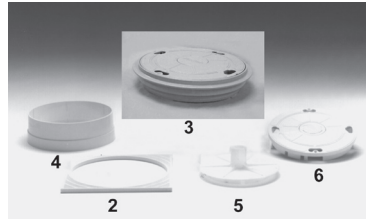


Admiral™ S15 and S20 Skimmers

Admiral Skimmers for Pools and Spas



Admiral Skimmers



Admiral Skimmer Accessories

Admiral™ S15 skimmers offer a variety of bases and throats for a wide variety of plumbing and construction requirements, configurations and materials. These skimmers have an exclusive lock-down lid that can be personalized with custom logo disks. S15 skimmers are injection molded of high strength ABS and are available with a flap weir for superior skimming action.

Admiral™ S20 skimmers have a PVC reinforced twin port base. S20 may be purchased with equalizer for commercial and NSF applications or for when the second port is connected to the main drain. All models include the exclusive lock down lid that can be personalized with custom logo disks and are available with a flap weir or the exclusive circular weir for superior skimming action.

Featured Highlights

- Admiral 15: High strength ABS body
- Admiral S20: Reinforced PVC base
- Slip FIPT, 1-1/2 inch or 2 inch
- Variety of throat lengths
- Easy to install
- Exclusive lock down lid
- 1-1/2 inch and 2 inch ports
- Lid extension collars
- Flap weir or the exclusive circular weir
- Custom logo disk available

Ordering Information

Product	Description	Carton Qty.	Carton Wt. (Lbs.)
S15 SKIMMERS FOR CONCRETE CONSTRUCTION			
84120100	S15, circ. weir, 1-1/2 in., threaded	1	10
84120200	S15, circ. weir, 2 in., threaded	1	10
84900300	S15, flap weir, 1-1/2 in., threaded	1	10
S15 SKIMMERS FOR VINYL CONSTRUCTION			
84151500	S15, OM circ. weir, 1-1/2 in., threaded	1	10
84141100	S15, OM circ. weir, 1-1/2 in., threaded short throat	1	10
S20 SKIMMERS FOR CONCRETE CONSTRUCTION			
84420405	S20, flap weir, no equalizer, 1-1/2 in. slip	1	10
84420500	S20, circ. weir, equalizer, 2 in. threaded, FIPT ¹	1	12
84420505	S20, circ. weir, equalizer, 2 in. slip ¹	1	12
84420530	S20, circ. weir, equalizer, 2 in. threaded, tan	1	12
84420535	S20, circ. weir, equalizer, 2 in. slip, tan	1	12
84420730	S20, circ. weir, 2 in. threaded, tan	1	10
84420735	S20, circ. weir, 2 in. slip, tan	1	10
84420600	S20, flap weir, equalizer, 2 in. threaded, FIPT ¹	1	12
84420605	S20, flap weir, equalizer, 2 in. slip ¹	1	12
84420630	S20, flap weir, equalizer, 2 in. threaded, tan ¹	1	12
84420635	S20, flap weir, equalizer, 2 in. slip, tan	1	12
84420700	S20, circ. weir, no equalizer, 2 in. threaded, FIPT	1	10
84420705	S20, circ. weir, no equalizer, 2 in. slip	1	10
84420800	S20, flap weir, no equalizer, 2 in. threaded, FIPT	1	10
84420805	S20, flap weir, no equalizer, 2 in. slip	1	10
84420730	S20, circ. weir, 2 in. threaded, tan	1	10
84420735	S20, circ. weir, 2 in. slip, tan	1	10
S20 SKIMMERS FOR VINYL LINER POOLS			
84452200	S20S flap weir, equalizer, XLG std. 1-1/2 in. threaded, short throat 8-3/4 in.	1	10
84472400	S20L flap weir, XLG std. 1-1/2 in. threaded, long throat 13 in.	1	10
S20 SKIMMERS FOR FIBERGLASS POOLS			
500023	S20, "WEDGE" flap weir, equalizer, 2 in. slip ²	1	10

¹ NSF listed for commercial installation. ² NSF listed. Note: Protect by US patent 5,551,191.

Admiral™ S15 & S20 Skimmers (Cont'd)

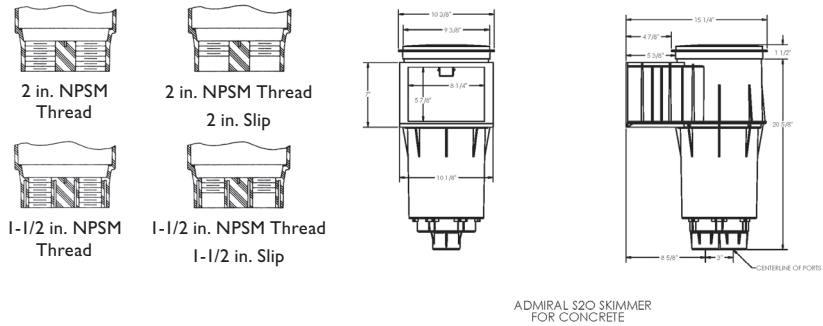
SKIMMER ACCESSORIES

	87204600	Hydrostatic Relief Spring Valve, 2 in. for S20 commercial equalizer		0.25
2	85000700	Square ring seat, S15 & S20, 10-1/2 in. x 10-1/2 in.		0.50
3	85018000	Lid with ring seat, S15 & S20, 9 in. beige		1
4	85002300	Extension collar for ring seat, adjustable to 3 in.		0.50
5	85001900	Vacuum plate adapter, S15 & S20		0.50
6	85007400	Lock down lid for existing Admiral skimmers, white		0.50
6	85007411	Lock down lid for existing Admiral skimmers, black		0.50
6	85007413	Lock down lid for existing Admiral skimmers, grey		0.50
6	85007430	Lock down lid for existing Admiral skimmers, tan		0.50
	85000400	Lid/collar set, white		0.50
	85000411	Lid/collar set, black		0.50

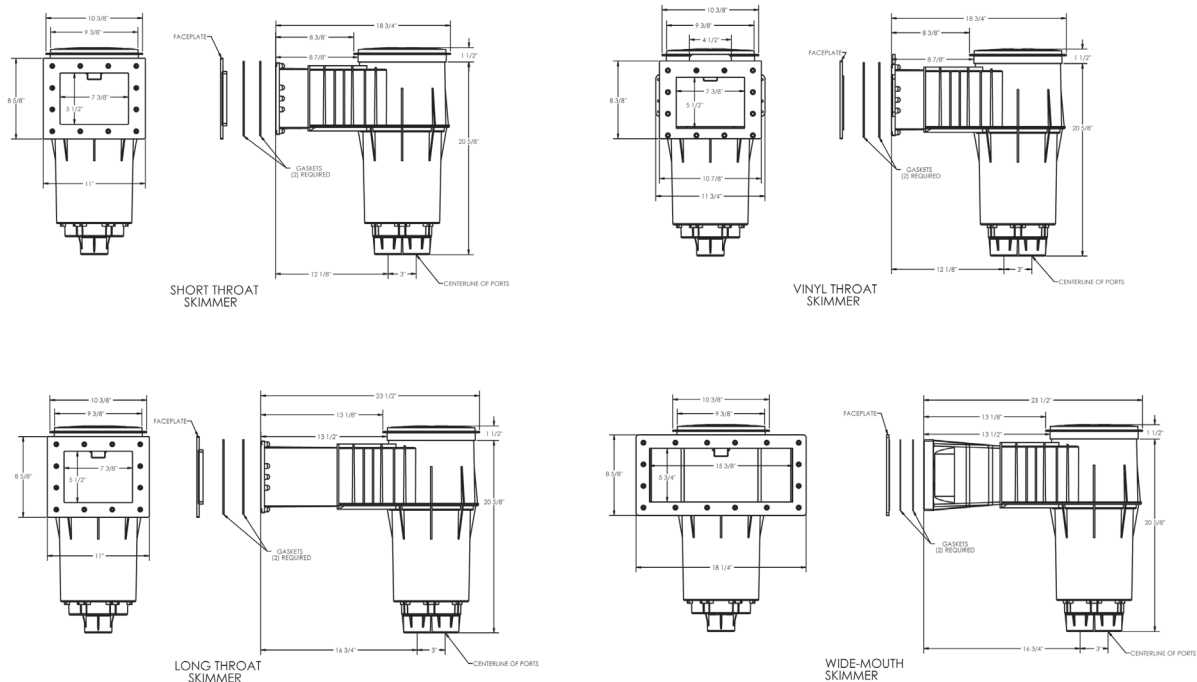


We can customize Admiral Skimmer Deck Lids with your professionally supplied artwork. Based on a minimum quantity of 500 lids there is a one-time \$500.00 set up charge for a single design. Subsequent changes are subject to additional fees. Contact your Pentair Water Pool and Spa Representative for more information.

Dimensions and Performance



ADMIRAL S20 SKIMMER PROFILE



See pages 541 for replacement parts.

Bermuda™ Skimmers

Skimmers for Gunite Pools, Vinyl Liner and Fiberglass Pools



Featured Highlights

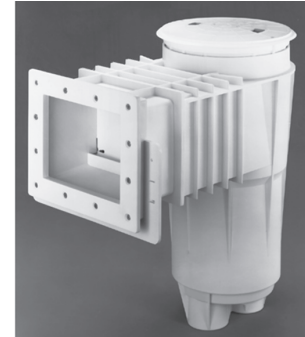
Choose among the following configurations:

- ABS or PVC
- White, black and tan colors available
- 1-1/2 in. or 2 in. slip or threaded ports
- Optional equalizer valve

Bermuda Skimmers feature a heavy-duty one-piece construction with sturdy external ribbing for superior strength. All Bermuda Skimmers for vinyl liner and fiberglass pools are made from ABS plastic.

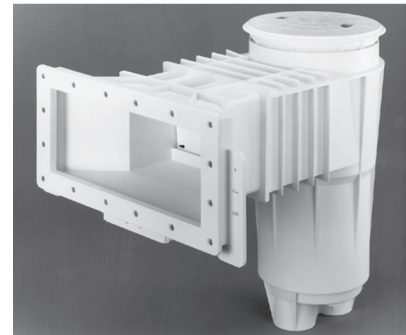
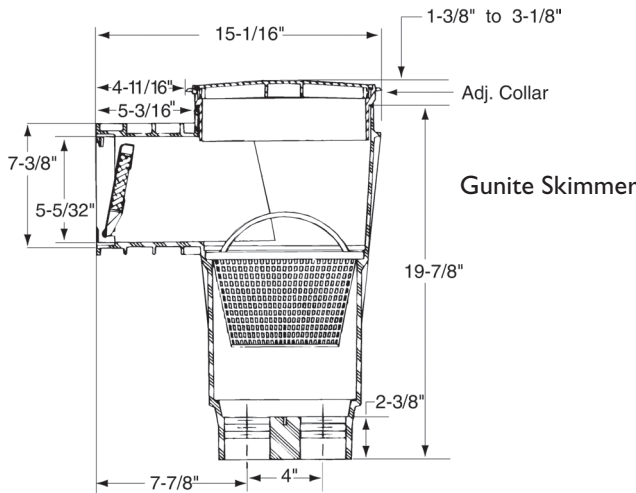


Gunite Skimmer

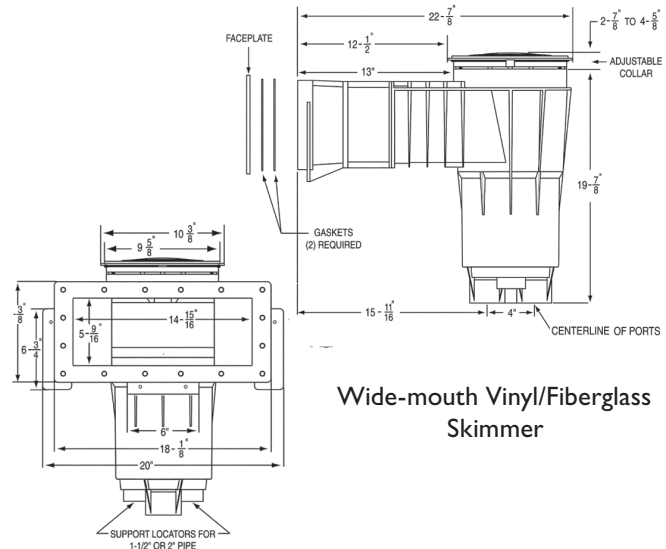
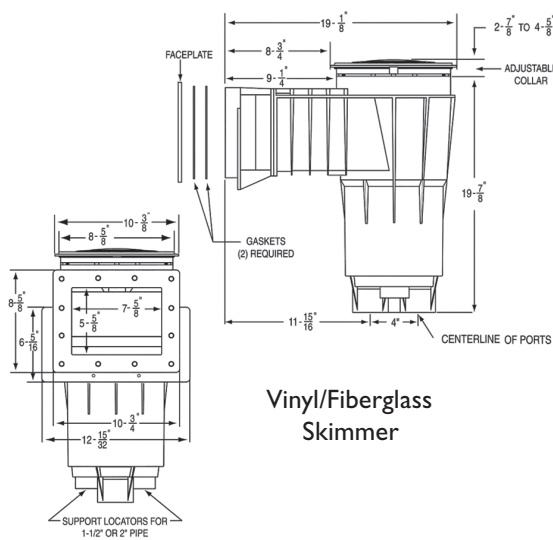


Vinyl/Fiberglass Skimmer

Dimensions and Performance



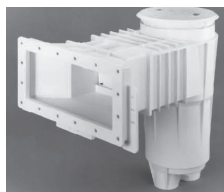
Wide-mouth Vinyl/Fiberglass Skimmer



¹ NSF listed.

Bermuda™ Skimmers (Cont'd)

Ordering Information

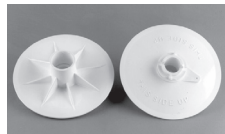


Product	Description	Material Type	Carton Qty.	Carton Wt. (Lbs.)
GUNITE SKIMMERS				
506300	2 in. Slip ports, white	PVC	1	10
506301	2 in. Threaded ports, white	PVC	1	10
506302	2 in. Slip ports, tan	PVC	1	10
506304	1-1/2 in. Slip ports, white	PVC	1	10
506361	2 in. Slip ports, white	ABS	1	10
506362	2 in. Threaded ports, white	ABS	1	10
506363	1-1/2 in. Slip ports, white	ABS	1	10
506364	1-1/2 in. Threaded ports, white	ABS	1	10
506365	2 in. Slip ports, black	ABS	1	10
GUNITE SKIMMERS WITH FLOAT VALVE ASSEMBLY.				
506308	2 in. Slip ports with float valve, white	PVC	1	10
506309	2 in. Threaded ports with float valve, white	PVC	1	10
506310	2 in. Slip ports, tan	PVC	1	10
GUNITE SKIMMERS WITH FLOAT VALVE & EQUALIZER VALVE ASSEMBLY.				
506370	2 in. slip ports, white ¹ (BKG)	PVC	1	10
506380	2 in. slip ports, white ¹ (ABKG)	ABS	1	10
506381	2 in. threaded ports, white ¹ (ABKG)	ABS	1	10
506382	2 in. Slip ports, tan	ABS	1	10
VINYL/FIBERGLASS SKIMMER				
506420	1-1/2 in. Slip ports, white	ABS	1	10
506421	1-1/2 in. Threaded ports, white	ABS	1	10
506480	1-1/2 in. Threaded ports, black	ABS	1	10
WIDE-MOUTH SKIMMER FOR VINYL LINER & FIBERGLASS POOLS				
506520	1-1/2 in. Slip ports, white	ABS	1	10
506521	1-1/2 in. Threaded ports, white	ABS	1	10
506581	1-1/2 in. Threaded ports, black	ABS	1	10

¹ NSF listed.



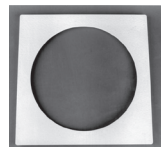
A



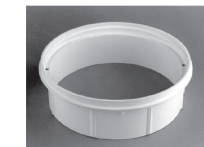
B



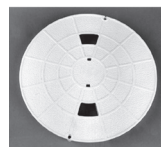
C



D



E



F

Item	Product	Description	Carton Wt. (Lbs.)
BERMUDA ACCESSORIES			
A	506160	Float valve assembly	1
B	506161	Vacuum plate/insert assembly, white	0.50
C	506162	Equalizer valve assembly	1.3
D	516220	Square deck ring seat, white	0.62
E	516253	Gunite extension collar, white, 3-1/8 in. length	0.20
E	516258	Gunite extension collar, tan, 3-1/8 in. length	0.60
E	516329	Gunite extension collar, black, 3-1/8 in. length	0.60
F	510327	Deck lid and collar assembly with screws, dark grey	1.3
F	510332	Deck lid, dark grey	0.50
F	516215	Deck lid, white	0.50
F	516216	Deck lid, tan	0.50
F	516254	Deck lid and collar assembly with screws, white	1.3
F	516261	Deck lid and collar assembly with screws, tan	1.3
F	516306	Deck lid, black	0.50
F	516328	Deck lid and collar assembly with screws, black	1.3

See pages 542 for replacement parts.

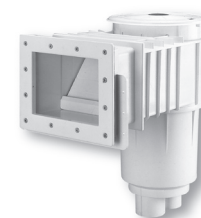
U-3 Skimmers

SwimQuip® Inground Skimmers



Ordering Information

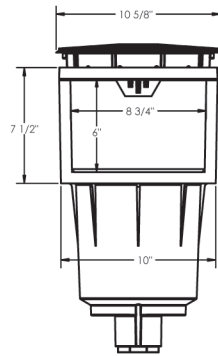
Product	Description	Carton Qty.	Carton Wt. (Lbs.)
SKIMMERS FOR CONCRETE POOLS			
08650-1403	U-3 Skimmer w/White Lid & Frame, 2 in. NPT with 1-1/2 in. NPT Reducers; Incl. Float and Check Valve, Basket ¹	48	10
08650-3403	U-3 Skimmer w/Gray Lid & Frame, 2 in. NPT with 1-1/2 in. NPT Reducers; Incl. Float and Check Valve, Basket; NSF ¹	48	10
08650-3403E	U-3 Skimmer Gray, w/Tan Lid & Frame, 2 in. NPT with 1-1/2 in. NPT Reducers; Incl. Float and Check Valve, Basket; NSF ¹	48	10
08650-2403	U-3 Skimmer w/Tan Lid & Frame, 2 in. NPT with 1-1/2 in. NPT Reducers; Incl. Float and Check Valve, Basket ¹	48	10
08650-1404	U-3 Skimmer w/White Lid & Frame, 2 in. Slip with 1-1/2 in. Slip Reducers; Incl. Float and Check Valve, Basket ¹	48	10
08650-3404	U-3 Skimmer w/Gray Lid & Frame, 2 in. Slip with 1-1/2 in. Slip Reducers; Incl. Float and Check Valve, Basket; NSF ¹	48	10
08650-3404E	U-3 Skimmer Gray, w/Tan Lid & Frame, 2 in. Slip with 1-1/2 in. Slip Reducers; Incl. Float and Check Valve, Basket; NSF ¹	48	10
08650-2404	U-3 Skimmer w/Tan Lid & Frame, 2 in. Slip with 1-1/2 in. Slip Reducers; Incl. Float and Check Valve, Basket ¹	48	10
08650-4403	U-3 Skimmer w/White Lid & Frame, 2 in. NPT with 1-1/2 in. NPT Reducers; Incl. Basket w/o float	48	9
08650-6403	U-3 Skimmer w/Gray Lid & Frame, 2 in. NPT with 1-1/2 in. NPT Reducers; Incl. Basket w/o float	48	9
08650-6403E	U-3 Skimmer Gray, w/Tan Lid & Frame, 2 in. NPT with 1-1/2 in. NPT Reducers; Incl. Basket w/o float	48	9
08650-5403	U-3 Skimmer w/Tan Lid & Frame, 2 in. NPT with 1-1/2 in. NPT Reducers; Incl. Basket w/o float	48	9
08650-4404	U-3 Skimmer w/White Lid & Frame, 2 in. Slip with 1-1/2 in. Slip Reducers; Incl. Basket w/o float	48	9
08650-6404	U-3 Skimmer w/Gray Lid & Frame, 2 in. Slip with 1-1/2 in. Slip Reducers; Incl. Basket w/o float	48	9
08650-6404E	U-3 Skimmer Gray w/Tan Lid & Frame, 2 in. Slip with 1-1/2 in. Slip Reducers; Incl. Basket w/o float	48	9
08650-5404	U-3 Skimmer w/Tan Lid & Frame, 2 in. Slip with 1-1/2 in. Slip Reducers; Incl. Basket w/o float	48	9
SKIMMERS FOR VINYL POOLS			
09655-1403	Vinyl Skimmer – White; 2 in. NPT with 1-1/2 in. NPT Reducers	32	10
09655-1404	Vinyl Skimmer – White; 2 in. Slip with 1-1/2 in. Slip Reducers	32	10
09655-2403	Vinyl Skimmer – Tan; 2 in. NPT with 1-1/2 in. NPT Reducers	32	10
09655-2404	Vinyl Skimmer – Tan; 2 in. Slip with 1-1/2 in. Slip Reducers	32	10
09655-0010	Skimmer Mount Space Block (for vinyl pools only)	32	0.25



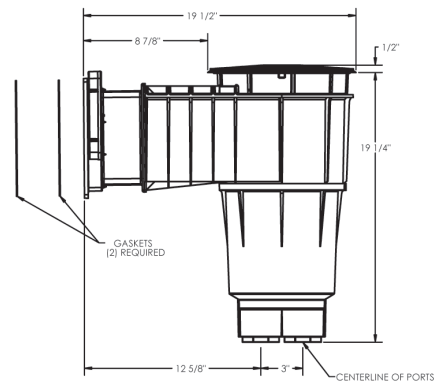
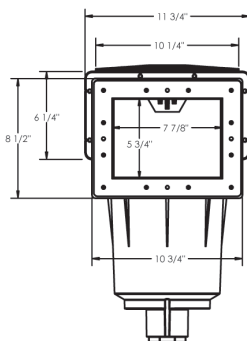
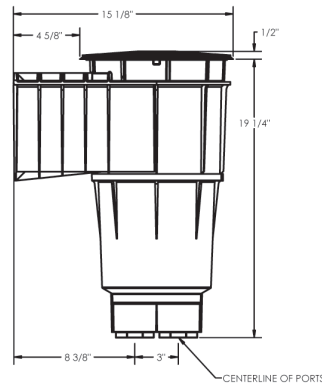
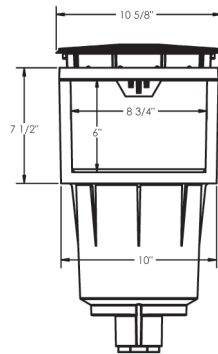
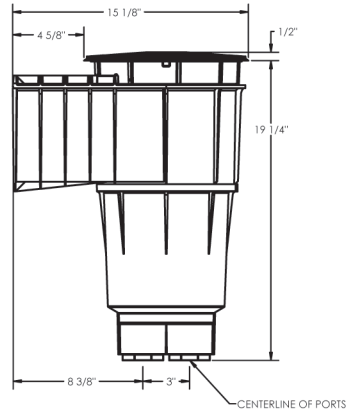
¹ NSF Certified. Only skimmers with Float Valve assemblies are NSF approved.

U-3 Skimmers (Cont'd)

Dimensions and Performance

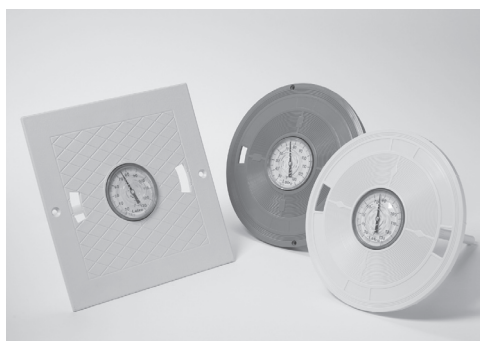


U3 Skimmer for concrete



See page 543 for replacement parts.

Replacement Skimmer Lids with and without Thermometers



Skimmer Lids with Thermometers

Featured Highlights

- Safe and convenient
- Lids are available in 3 colors to blend with the pool environment
- Available to fit Pentair Pool Products and other popular skimmer brands

Skimmer thermometers eliminate misplacement, theft and breakage problems sometimes seen with floating thermometers. The hermetically sealed face is built for strength and weather resistance. The outside temperature will not affect the performance of the thermometer.

Ordering Information

Product	Description	Carton Qty.	Carton Wt. (Lbs.)
SKIMMER LIDS WITH THERMOMETER			
L1	SwimQuip, Swimrite, Jacuzzi (New Style), Hayward, 9-7/8 in., white	1	3/4
L1B	SwimQuip, Swimrite, Jacuzzi (New Style), Hayward, 9-7/8 in., almond	1	3/4
L1G	SwimQuip, Swimrite, Jacuzzi (New Style), Hayward, 9-7/8 in., grey	1	3/4
L2	Baker, Hydro, 9-7/8 in., white	1	3/4
L3	Hayward, Square, 10 in. x 10 in., white	1	3/4
L4B	Pentair Pool Products, 9-3/16 in. round, almond	1	3/4
L4G	Pentair Pool Products, 9-3/16 in. round, grey	1	3/4
L4W	Pentair Pool Products, 9-3/16 in. round, white	1	3/4
L5	Pentair Pool Products, (Old Style), 8-3/8 in., white	1	3/4
L6B	Pentair Pool Products, Bermuda, 9-1/4 in., almond	1	3/4
L6G	Pentair Pool Products, Bermuda, 9-1/4 in., grey	1	3/4
L6W	Pentair Pool Products, Bermuda, 9-1/4 in., white	1	3/4
SKIMMER LIDS WITHOUT THERMOMETER			
L1RW	SwimQuip, Swimrite, Jacuzzi, Hayward (New Style), 9-7/8 in., white	1	3/4
L1RG	SwimQuip, Swimrite, Jacuzzi, Hayward (New Style), 9-7/8 in., grey	1	3/4
L1RB	SwimQuip, Swimrite, Jacuzzi, Hayward (New Style), 9-7/8 in., almond	1	3/4
L2R	Baker, Hydro, 9-7/8 in., white	1	3/4
L4RW	American Products, 9-3/16 in. round, white	1	3/4
L4RG	American Products, 9-3/16 in. round, grey	1	3/4
L4RB	American Products, 9-3/16 in. round, almond	1	3/4
L5R	Pentair Pool Products (Old Style), 8-3/8 in., white	1	3/4
L5RB	Pentair Pool Products (Old Style), 8-3/8 in., almond	1	3/4
L6RW	Pentair Pool Products, Bermuda, 9-1/4, white	1	3/4
L6RG	Pentair Pool Products, Bermuda, 9-1/4, grey	1	3/4
L6RB	Pentair Pool Products, Bermuda, 9-1/4, almond	1	3/4

See page 544 for replacement parts.

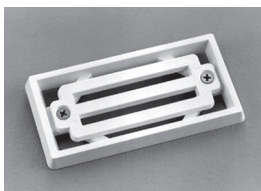
Gutter Drains

Drains and Fittings

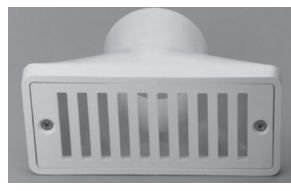


Featured Highlights

Pentair gutter drains come with an extra deep socket connection



542038



542039

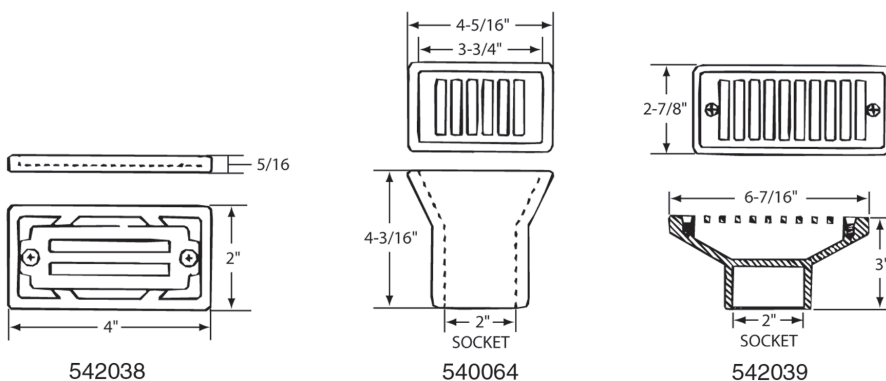


540064

Ordering Information

Product	Description	Flow Rate (GPM)	Open Area (Sq. In.)	Carton Qty.
GUTTER DRAINS				
540063	2 in. x 4 in. gutter drain & grate, white	14.5 @ 1-1/2 ft./sec.	3.09	50
540064	2 in. x 4 in. gutter drain & grate, black	14.5 @ 1-1/2 ft./sec.	3.09	50
540065	2 in. x 4 in. gutter drain & grate, dark grey	14.5 @ 1-1/2 ft./sec.	3.09	50
542038	2 in. x 4 in. 3-bar frame & grate, white	8.0 @ 1-1/2 ft./sec.	1.71	500
542039	2-1/2 in. x 6 in. gutter drain & grate, white	22.5 @ 1-1/2 ft./sec.	4.81	24
542146	2 in. x 4 in. grate (hi-style), white	14.5 @ 1-1/2 ft./sec.	3.09	500
552511	2 in. x 4 in. grate (fits 540063, 542037)	14.5 @ 1-1/2 ft./sec.	3.09	500

Dimensions and Performance



StarGuard® Main Drains

Main Drain Frame and Grate



StarGuard® Main Drains comply with provisions of the ANSI/ASME A112.19.8–2007 standard and the Virginia Graeme Baker Pool and Spa Safety Act. High quality StarGuard main drains are available in white, black, gray, and dark gray as well as a variety of configurations to fit any residential inground pool or spa installation. StarGuard main drains have an industry leading 15.35 square inches of open area for water flow and allow flow rates up to 72 GPM at 1-1/2 ft./sec.

Featured Highlights

- New, Improved 8 in. Round Main Drain
- Available in Multiple Colors
- Compliant with the Virginia Graeme Baker Act

Ordering Information

Product	Description	Flow Rate Floor (GPM)	Flow Rate Wall (GPM)	Open Area (Sq. In.)
8 IN. STARGUARD COVER WITH LONG RING				
500108	8 in. StarGuard cover w/long ring (single), white	144	112	15.35
500100	8 in. StarGuard cover w/long ring (single), black	144	112	15.35
500101	8 in. StarGuard cover w/long ring (single), dark gray	144	112	15.35
500102	8 in. StarGuard cover w/long ring (single), gray	144	112	15.35
500140	8 in. StarGuard cover w/long ring (2 pack), white	144	112	15.35
500141	8 in. StarGuard cover w/long ring (2 pack), black	144	112	15.35
500142	8 in. StarGuard cover w/long ring (2 pack), dark gray	144	112	15.35
500143	8 in. StarGuard cover w/long ring (2 pack), gray	144	112	15.35
8 IN. STARGUARD COVER WITH SHORT RING AND COVER				
500103	8 in. StarGuard cover w/short ring (single), white	144	112	15.35
500104	8 in. StarGuard cover w/short ring (single), black	144	112	15.35
500105	8 in. StarGuard cover w/short ring (single), dark gray	144	112	15.35
500106	8 in. StarGuard cover w/short ring (single), gray	144	112	15.35
500144	8 in. StarGuard cover w/short ring (2 pack), white	144	112	15.35
500145	8 in. StarGuard cover w/short ring (2 pack), black	144	112	15.35
500146	8 in. StarGuard cover w/short ring (2 pack), dark gray	144	112	15.35
500147	8 in. StarGuard cover w/short ring (2 pack), gray	144	112	15.35
8 IN. STARGUARD DRAIN WITH 2 IN. SIDE AND 1-1/2 IN. BOTTOM PORTS ABS SUMP WITH RING AND COVER				
500110	8 in. StarGuard drain w/ 2 in. side & 1-1/2 in. bottom ports ABS sump w/ring & cover (2 pack), white	144	112	15.35
500111	8 in. StarGuard drain w/ 2 in. side & 1-1/2 in. bottom ports ABS sump w/ring & cover (2 pack), black	144	112	15.35
500113	8 in. StarGuard drain w/ 2 in. side & 1-1/2 in. bottom ports ABS sump w/ring & cover (2 pack), dark gray	144	112	15.35
500114	8 in. StarGuard drain w/ 2 in. side & 1-1/2 in. bottom ports ABS sump w/ring & cover (2 pack), gray	144	112	15.35
8 IN. STARGUARD DRAIN WITH 2 IN. SIDE PORT ABS SUMP WITH RING AND COVER				
500115	8 in. StarGuard drain w/ 2 in. side port ABS sump w/ring & cover (2 pack), white	144	112	15.35
500116	8 in. StarGuard drain w/ 2 in. side port ABS sump w/ring & cover (2 pack), black	144	112	15.35
500117	8 in. StarGuard drain w/ 2 in. side port ABS sump w/ring & cover (2 pack), dark gray	144	112	15.35
500118	8 in. StarGuard drain w/ 2 in. side port ABS sump w/ring & cover (2 pack), gray	144	112	15.35



StarGuard® Main Drains (Cont'd)



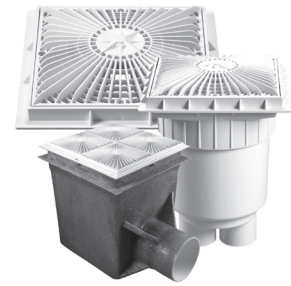
Product	Description	Flow Rate Floor (GPM)	Flow Rate Wall (GPM)	Open Area (Sq. In.)
8 IN. STARGUARD DRAIN WITH DUAL 2 IN. BOTTOM PORTS ABS SUMP AND COVER				
500120	8 in. StarGuard drain w/dual 2 in. bottom ports ABS sump & cover (2 pack), white	144	112	15.35
500121	8 in. StarGuard drain w/dual 2 in. bottom ports ABS sump & cover (2 pack), black	144	112	15.35
500122	8 in. StarGuard drain w/dual 2 in. bottom ports ABS sump & cover (2 pack), dark gray	144	112	15.35
500123	8 in. StarGuard drain w/dual 2 in. bottom ports ABS sump & cover (2 pack), gray	144	112	15.35
8 IN. STARGUARD DRAIN WITH 2 IN. SIDE AND 1-1/2 IN. BOTTOM VINYL LINER ABS SUMP				
500130	8 in. StarGuard drain w/ 2 in. side & 1-1/2 in. bottom vinyl liner ABS sump (2 pack), white	144	112	15.35



StarGuard®

Commercial Main Drains

StarGuard® Commercial Main Drains, Frames and Grates from Pentair Water Commercial Pool and Aquatics® (Pentair) comply with provisions of the ANSI/ASME A112.19.8-2007 standard and the Virginia Graeme Baker Pool and Spa Safety Act. These high quality drains are available in white and black in sizes ranging from 9 in. x 9 in., 12 in. x 12 in., 18 in. x 18 in. and 24 in. x 24 in. As a leading manufacturer of equipment for commercial pools, spas and aquatic centers, Pentair has certified drains for most general applications.



Featured Highlights

- Improved commercial series drains
- Now Available in Multiple Colors
- Compliant with the Virginia Graeme Baker Act

Ordering Information

Product	Description	Flow Rate Floor & Wall (GPM)	Flow Rate at 1.5 fps (GPM)	Open Area (Sq. In.)
STARGUARD SQUARE FRAMES AND GRATES - ONLY				
500400	9 in. x 9 in. StarGuard Frame and Grate - White	270	180	38.70
500401	9 in. x 9 in. StarGuard Frame and Grate - Black	270	180	38.70
500500	12 in. x 12 in. StarGuard Frame and Grate - White	360	355	76.00
500501	12 in. x 12 in. StarGuard Frame and Grate - Black	360	355	76.00
500600	18 in. x 18 in. StarGuard Frame and Grate - White	740	723	154.80
500601	18 in. x 18 in. StarGuard Frame and Grate - Black	740	723	154.80
500700	24 in. x 24 in. StarGuard Frame and Grate - White	1428	1421	304.00
500701	24 in. x 24 in. StarGuard Frame and Grate - Black	1428	1421	304.00
STARGUARD PVC SUMP ASSEMBLIES WITH FRAME AND GRATES				
500410*	9 in. x 9 in. StarGuard Drain w/ 2-1/2 in. Spigot and 2 in. Slip Bottom Port PVC Sump with Grate - White	270	180	38.70
500411*	9 in. x 9 in. StarGuard Drain w/ 2-1/2 in. Spigot and 2 in. Slip Bottom Port PVC Sump with Grate - Black	270	180	38.70
500430	9 in. x 9 in. StarGuard Drain w/ 2-1/2 in. Spigot and 4 in. Slip Bottom Port PVC Sump with Grate - White	270	180	38.70
500431	9 in. x 9 in. StarGuard Drain w/ 2-1/2 in. Spigot and 4 in. Slip Bottom Port PVC Sump with Grate - Black	270	180	38.70
500510	12 in. x 12 in. StarGuard Drain w/ 4 in. Slip Bottom Port PVC Sump with Grate - White	360	355	76.00
500511	12 in. x 12 in. StarGuard Drain w/ 4 in. Slip Bottom Port PVC Sump with Grate - Black	360	355	76.00
500530	12 in. x 12 in. StarGuard Drain w/ 6 in. Slip Bottom Port PVC Sump with Grate - White	360	355	76.00
500531	12 in. x 12 in. StarGuard Drain w/ 6 in. Slip Bottom Port PVC Sump with Grate - Black	360	355	76.00

* Drain kit includes a 2 in. NPT plug.

StarGuard® Commercial Main Drains (Cont'd)



Product	Description	Flow Rate Floor & Wall (GPM)	Flow Rate at 1.5 fps (GPM)	Open Area (Sq. In.)
STARGUARD FIBERGLASS SUMP ASSEMBLIES WITH FRAME AND GRATES				
500420	9 in. x 9 in. StarGuard Drain w/3 in. SLIP x FPT Side Port and 2 in. FPT x FPT Bottom Port Fiberglass Sump with Frame and Grate - White	270	180	38.70
500421	9 in. x 9 in. StarGuard Drain w/3 in. SLIP x FPT Side Port and 2 in. FPT x FPT Bottom Port Fiberglass Sump with Frame and Grate - Black	270	180	38.70
500520	12 in. x 12 in. StarGuard Drain w/4 in. SLIP x FPT Side Port and 2 in. FPT x FPT Bottom Port Fiberglass Sump with Frame and Grate - White	360	355	76.00
500521	12 in. x 12 in. StarGuard Drain w/4 in. SLIP x FPT Side Port and 2 in. FPT x FPT Bottom Port Fiberglass Sump with Frame and Grate - Black	360	355	76.00
500540	12 in. x 12 in. StarGuard Drain w/6 in. SLIP x FPT Side Port and 2 in. FPT x FPT Bottom Port Fiberglass Sump with Frame and Grate - White	360	355	76.00
500541	12 in. x 12 in. StarGuard Drain w/6 in. SLIP x FPT Side Port and 2 in. FPT x FPT Bottom Port Fiberglass Sump with Frame and Grate - Black	360	355	76.00
500610	18 in. x 18 in. StarGuard Drain w/8 in. SLIP x FPT Side Port and 2 in. FPT x FPT Bottom Port Fiberglass Sump with Frame and Grate - White	740	723	154.80
500611	18 in. x 18 in. StarGuard Drain w/8 in. SLIP x FPT Side Port and 2 in. FPT x FPT Bottom Port Fiberglass Sump with Frame and Grate - Black	740	723	154.80
500710	24 in. x 24 in. StarGuard Drain w/10 in. SLIP x FPT Side Port and 2 in. FPT x FPT Bottom Port Fiberglass Sump with Frame and Grate - White	1428	1421	304.00
500711	24 in. x 24 in. StarGuard Drain w/10 in. SLIP x FPT Side Port and 2 in. FPT x FPT Bottom Port Fiberglass Sump with Frame and Grate - Black	1428	1421	304.00

All fiberglass drain assemblies include a 2 in. NPT plug, 2 in. collector tube and side port pressure testing plug up to 8 in. Actual flow rate results still need to be determined based on empirical testing.

Equalizer/Suction Fittings



Pentair equalizer/suction fittings comply with provisions of the ANSI/ASME A112.19.8–2007 standard and the Virginia Graeme Baker Pool and Spa Safety Act. These high-quality equalizer/suction fittings are available in white, black, or gray to fit any residential or commercial pool or spa installation.



Ordering Information

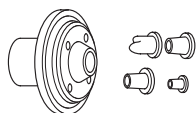
Product	Description	Flow Rate Floor (GPM)	Flow Rate Wall (GPM)	Open Area (Sq. In.)
EQUALIZER/SUCTION FITTINGS				
500300	Flat Face Equalizer/Suction Fitting 2 in. Slip, White ABS w/ 1-1/2 in. Reducer	84	48	3-3/4
500301	Flat Face Equalizer/Suction Fitting 2 in. Slip, Black ABS w/ 1-1/2 in. Reducer	84	48	3-3/4
500302	Flat Face Equalizer/Suction Fitting 2 in. Slip, Gray ABS w/ 1-1/2 in. Reducer	84	48	3-3/4

Pool Specialty Fittings



Pentair plumbing unions are available in a wide variety of configurations. Specialty fittings such as the snap lock wall fitting, anchor cup and rope hooks and the molded recessed steps are designed for ease of installation. Deck valve lid and ring allow for access to under deck valves and fittings. These fittings are manufactured to Pentair's high standards.

Ordering Information



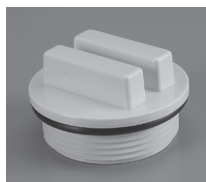
Wall inlet fittings



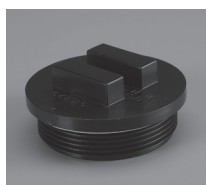
Eyeball inlet fittings



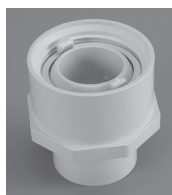
Hydrostatic Relief Valve



2 in. plug with O-ring



1-1/2 in. plug with O-ring



86204200



46540000



46550000

Product	Description	Carton Qty.	Carton Wt. (Lbs.)
ENERGY EFFICIENT FITTINGS			
178741	Sweep Elbow, PVC, White, 2-1/2 in. Socket, 3 in. Spigot. W=75	1	0.92
COMPLETE INSIDER WALL INLET FITTINGS FOR CONCRETE POOLS			
08428-0000	1-1/4 in. Slip, 3/16 in., 1/2 in., 3/4 in., 90° Nozzles, white	1	0.50.
08429-0000	1-1/2 in. Slip, 3/16 in., 1/2 in., 3/4 in., 90° Nozzles, white	1	0.50
08428-0100	1-1/4 in. Slip, 3/16 in., 1/2 in., 3/4 in., 90° Nozzles, dark gray	1	0.50
08429-0100	1-1/2 in. Slip, 3/16 in., 1/2 in., 3/4 in., 90° Nozzles, dark gray	1	0.50
EYEBALL INSIDER INLET FITTINGS			
08434-0000	1-1/2 in. Slip, 1/2 in., 3/4 in., 90° Nozzles, white	1	0.50
08434-0100	1-1/2 in. Slip, 1/2 in., 3/4 in., 90° Nozzles, dark gray	1	0.50
VINYL POOL FITTINGS			
08430-0050	1-1/2 in. NPT body PVC, white	1	1.
08430-0000	1-1/2 in. Slip body PVC, white	1	1.
HYDROSTATIC RELIEF VALVE			
07017-0151	1-1/2 in. NPT hydrostatic valve		0.2
07017-0158	2 in. NPT hydrostatic valve		0.2
ALL PURPOSE PLUGS			
195830	2 in. plug with O-ring		100
552612	1-1/2 in. flush plug, white		100
552614	1-1/2 in. flush plug, black		100
552622	1-1/2 in. plug with O-ring, white		100
552624	1-1/2 in. plug with O-ring, black		100
SPECIAL EYEBALL FITTINGS			
86204200	Reducer adapter, 1-1/2 in. o.d. x 1 in. slip, 1 in., white	50	10
86204211	Reducer adapter, 1-1/2 in. o.d. x 1 in. slip, 1 in., black	50	10
86204215	Reducer adapter, 1-1/2 in. o.d. x 1 in. slip, 1 in., dark grey	50	10
JETS FOR CONCRETE INSTALLATION			
46540000	Venturi Jet, 5/16 in. nozzle, 1/2 in. socket air x 1-1/2 in. socket water, 1-1/2 in. socket return	40	20
46540100	Venturi Jet, 1/2 in. nozzle	40	20

Pool Specialty Fittings (Cont'd)



Ordering Information

Product	Description	Carton Qty.	Carton Wt. (Lbs.)
FLOOR INLET FITTINGS ⁵			
08417-0000	2 in. Slip with 1-1/2 in. slip bushing, white ³	1	1
08417-0100	2 in. Slip with 1-1/2 in. slip bushing, grey ³	1	1
08417-0200	2 in. Slip with 1-1/2 in. slip bushing, black ³	1	1
SPECIAL FITTINGS			
46550000	Aerator Cap, 1-1/2 in. for air channel, white	50	13
46550015	Aerator Cap, 1-1/2 in. for air channel, dark grey	50	13
46550065	Aerator Cap, 1-1/2 in. for air channel, grey	50	13
510166	Hose adapter, straight, white ⁴	50	3
86201500	Aerator inlet (used as a return spray nozzle)	10	1
K12500	Snap Lock Kit Fitting	1	0.10
GVW9530	Vac-port fitting, NSF listed	1	0.10
86200500	Vacuum or Winterizing plug with Oring	1	0.50
VALVE COVERS			
86300100	Valve Lid & Ring, ABS, 6 in., white	1	1
86300130	Valve Lid & Ring, ABS, 6 in., beige	1	1
GRATE INSERTS			
540056	Grate insert, 1-1/2 in. MIP, white ²	50	2
540057	Grate insert, 1-1/2 in. MIP, black ²	50	2
540058	Grate insert, 1-1/2 in. MIP, dark grey ²	50	2
ROPE ANCHORS & HOOKS			
542044	Anchor Cup with SS bar, white ¹	100	24
542045	Anchor Cup with SS bar, black ¹	100	24
86201200	Anchor Cup, ABS, white	100	16
86201215	Anchor Cup, ABS dark grey	100	16
86201300	Anchor Cup, ABS with SS cross bar, white ¹	100	16
86201400	Rope Hook, 3/4 in., ABS	150	16
542142	Rope Hook for 3/4 in. rope with two SS screws	200	22
STEPS			
82400600	ABS Steps, set of three, blue	1	3
82400700	ABS Steps, set of three, white	1	3
82400800	ABS Steps, set of three, grey	1	3

¹ Not for use with saltwater pools.

² Not for use as a suction fitting.

³ Use only as a floor inlet fitting.

⁴ Hose to NPT fittings.



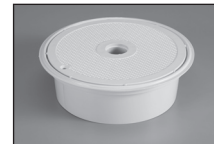
Vacuum Plug



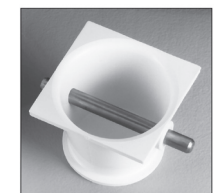
86201500



Rope Hook



Valve Lid & Ring ABS



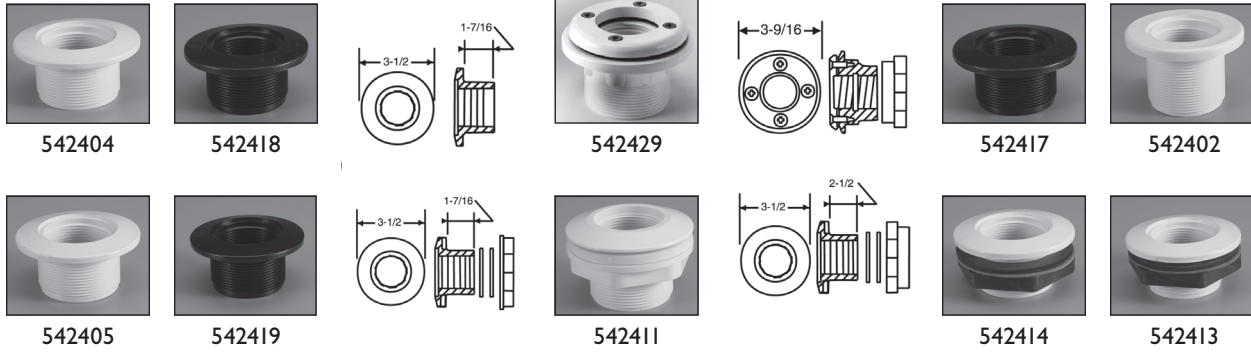
542044



542142

Return Fittings

For Swimming Pools

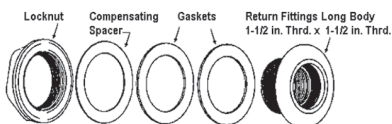
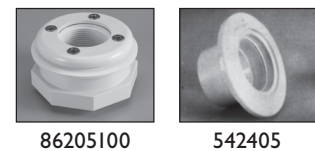


Ordering Information

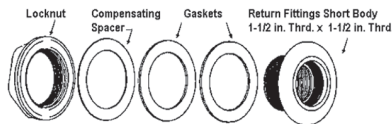
Product	Description	Carton Qty.	Carton Wt. (Lbs.)
GUNITE/CONCRETE			
542402	Long body, 1-1/2 in. threaded x 1-1/2 in. socket, white	50	9
542417	Long body, 1-1/2 in. threaded x 1-1/2 in. socket, black	50	9
542404	Standard body, 1-1/2 in. threaded x 1-1/2 in. threaded, white	50	9
542405	Standard body, 1-1/2 in. threaded x 1-1/2 in. socket, white	50	9
542418	Standard body, 1-1/2 in. threaded x 1-1/2 in. threaded, black	50	9
542419	Standard body, 1-1/2 in. threaded x 1-1/2 in. socket, black	50	9
FIBERGLASS POOLS & SPAS ²			
542411	Long body, 1-1/2 in. threaded x 1-1/2 in. socket, spacer/locknut, white	50	9
542413	Standard body, 1-1/2 in. threaded x 1-1/2 in. threaded, spacer/locknut, white	50	9
542414	Standard body, 1-1/2 in. threaded x 1-1/2 in. socket, comb. spacer/locknut, white	50	9
CONCRETE-WALLED VINYL LINER POOLS ¹			
542429	Standard body, 1-1/2 in. threaded x 1-1/2 in. socket, white	50	9
VINYL LINER FITTINGS			
86205100	1-1/2 in. FIPT with screws, vinyl liner, white	50	25
86205101	1-1/2 in. FIPT with screws, vinyl liner, black	50	25
86205103	1-1/2 in. FIPT with screws, vinyl liner, dark grey	50	25
545100	Face plate for vinyl liner return fitting, white	50	10
545101	Face plate for vinyl liner return fitting, black	50	10
545103	Face plate for vinyl liner return fitting, dark grey	50	10
INSIDER FITTINGS FOR GUNITE/CONCRETE POOLS			
542423	2 in. slip body, for schedule 40 pvc pipe, white	50	7
542424	2 in. slip body, for schedule 40 pvc pipe, black	50	7

¹ Includes face plate, screws & gaskets.

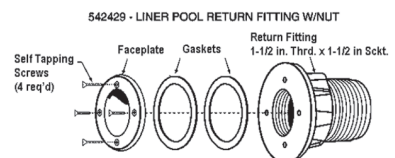
² Includes back gaskets.



542411

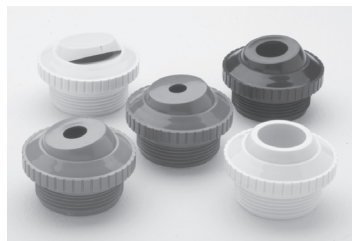


542413

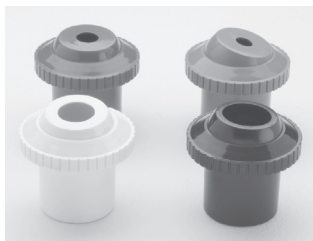


542429

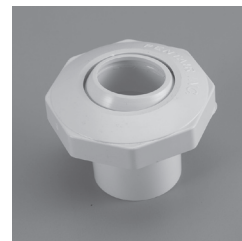
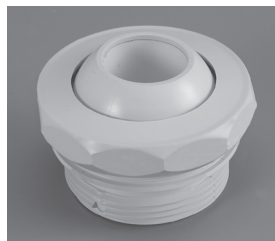
Wall Fittings - Inlets



Directional eyeball inlets with 1-1/2 in. MIP thread to fit standard female adapter or wall fitting



Insider directional inlet wall fittings with 1/2, 3/4, 1 in. and slotted openings



Economy Insider
542000

Ordering Information

Product	Description	Carton Qty.
I-1/2 INCH THREADED DIRECTIONAL EYEBALLS		
542087	Ultimate eyeball 1-1/2 in. threaded with snap-in disks, 1/2 in., 3/4 in., 1 in., and pressure test orifices, white	50
540000	Slotted opening, white	50
540001	Slotted opening, black	50
540002	Slotted opening, dark grey	50
540007	3/8 in. opening, white	50
540008	3/8 in. opening, black	50
540009	3/8 in. opening, dark grey	50
540014	1/2 in. opening, white	50
540015	1/2 in. opening, black	50
540016	1/2 in. opening, dark grey	50
540021	3/4 in. opening, white	50
540022	3/4 in. opening, black	50
540023	3/4 in. opening, dark grey	50
540028	1 in. opening, white	50
540029	1 in. opening, black	50
540030	1 in. opening, dark grey	50
ECONOMY INSIDER		
542000	1 in. slip inlet with snap-in 3/8 in., 3/4 in. and pressure test disks, white	300
542001	1 in. slip inlet with snap-in 3/8 in., 3/4 in. and pressure test disks, black	300
542002	1-1/2 in. slip inlet with snap-in 1/2 in., 3/4 in, 1 in., and pressure test disks, white	200
542003	1-1/2 in. slip inlet with snap-in 1/2 in., 3/4 in, 1 in., and pressure test disks, black	200
INSIDER DIRECTIONAL FITTINGS		
540035	1-1/2 in. slip inlet, 1/2 in., white	50
540036	1-1/2 in. slip inlet, 1/2 in., black	50
540037	1-1/2 in. slip inlet, 1/2 in., dark grey	50
540042	1-1/2 in. slip inlet, 3/4 in., white	50
540043	1-1/2 in. slip inlet, 3/4 in., black	50
540044	1-1/2 in. slip inlet, 3/4 in., dark grey	50
540049	1-1/2 in. slip inlet, 1 in., white	50
540050	1-1/2 in. slip inlet, 1 in., black	50
540051	1-1/2 in. slip inlet, 1 in., dark grey	50

Automatic Water Fillers

Water Level Control



Featured Highlights

- Available for standard in-ground and vanishing edge pools
- Prevents equipment damage due to low water levels
- No electronic controls
- Prevents water waste and landscape damage due to overfilling pool
- Available with white, black, grey, and almond colored lids

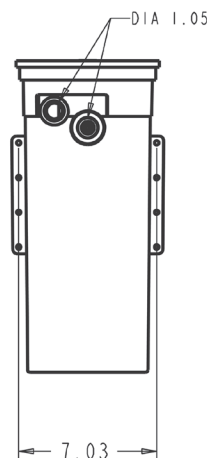
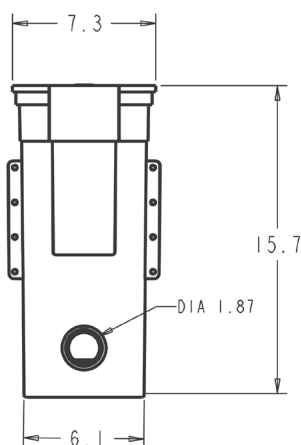
Automatic Water fillers are the latest in automatic pool and spa water level controls and are available for both standard and vanishing edge pools.



Automatic Water Fillers

Ordering Information

Product	Description	Carton Qty.
AUTOMATIC WATER FILLERS		
T40BBE	AutoFill w/ side mounted float valve, almond	1
T40BBK	AutoFill w/ side mounted float valve, black	1
T40BG	AutoFill w/ side mounted float valve, grey	1
T40BW	AutoFill w/ side mounted float valve, white	1
T40FB	AutoFill w/ Fluidmaster® valve, almond	1
T40FBK	AutoFill w/ Fluidmaster valve, black	1
T40FG	AutoFill w/ Fluidmaster valve, grey	1
T40FW	AutoFill w/ Fluidmaster valve, white	1
T40FNB	AutoFill Vanishing Edge w/ Fluidmaster valve, almond	1
T40FNBK	AutoFill Vanishing Edge w/ Fluidmaster valve, black	1
T40FNG	AutoFill Vanishing Edge w/ Fluidmaster valve, grey	1
T40FNW	AutoFill Vanishing Edge w/ Fluidmaster valve, white	1

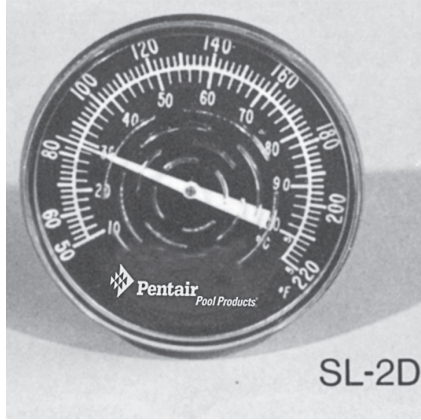


Fluidmaster Valve

See page 548 for replacement parts.

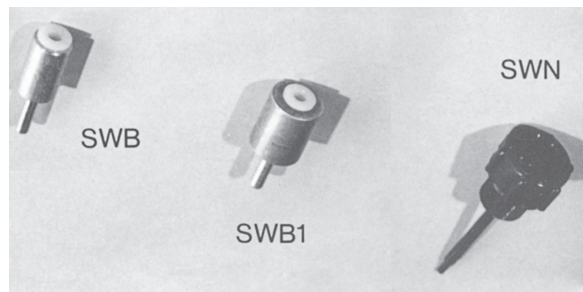
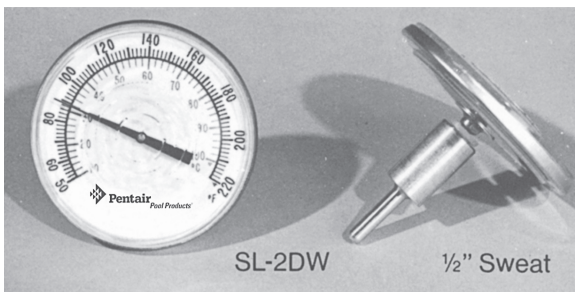
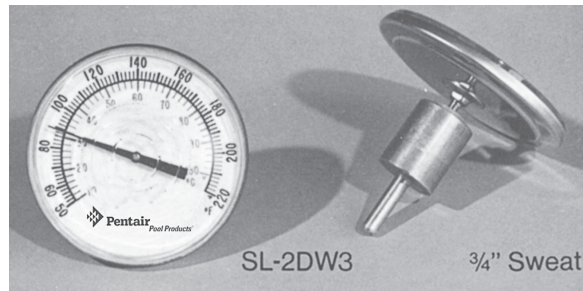
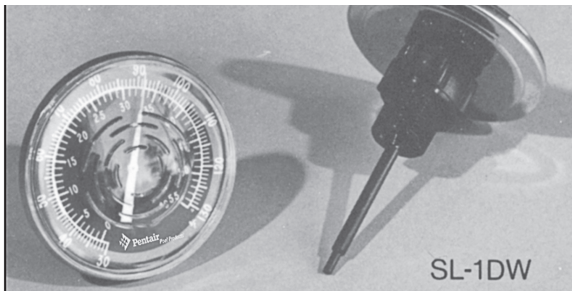
Inline Thermometers

For Pool and Solar Applications



Ordering Information

Product	Description	Carton Qty.
INLINE THERMOMETER WELLS		
SWB	1/2 in. Brass well	1
SWB1	3/4 in. Brass well	1
SWN	Nylon well	1
INLINE THERMOMETER for Solar Applications		
SL2D	50/220°F. w/ 1/2 in. NPT (threaded)	1
SL2DW	50/220°F. w/ 1/2 in. Brass well	1
SL2DW3	50/220°F. w/ 3/4 in. Brass well	1
INLINE THERMOMETERS for Pool Applications		
SL1DW	30/130°F. w/ Nylon well	1



Flowmeters

For Commercial and Industrial Liquid Applications



Featured Highlights

- Stainless steel guide and floats
- Easy installation and maintenance; no tools required, tightens by hand
- Textured surface on back of meter for improved readability
- Easy to read GPM and LPM Scales
- Brass threaded knurled nuts for durability



Flowmeter

Ordering Information

Product	GPM	Description	Carton Qty.	Carton Wt. (Lbs.)
SMALL BODY FLOWMETERS				
LDF356B	1/2–5	1/2 in., Brass sweat end	1	1
LDF360B	1/2–5	3/4 in., Brass sweat end	1	1
LDF360N	1/2–5	3/4 in., Nylon threaded end	1	3/4
LDF360T	1/2–5	1 in., Brass threaded end	1	1-1/4
LDF357B	1–10	3/4 in., Brass sweat end	1	1
LDF357N	1–10	3/4 in., Nylon threaded end	1	3/4
LDF357T	1–10	1 in., Brass threaded end	1	1-1/4
LDF359B	2–16	3/4 in., Brass sweat end	1	1
LDF359N	2–16	3/4 in., Nylon threaded end	1	3/4
LDF359T	2–16	1 in., Brass threaded end	1	1-1/4
LARGE BODY FLOWMETERS				
LDF450B	2–40	1 in., Brass sweat end	1	1-1/4
LDF450T	2–40	1 in., Brass threaded end	1	1-1/4
LDF460T	2–40	1-1/2 in., Brass threaded end	1	1-1/2
LDF451B	8–75	1 in., Brass sweat end	1	1-1/4
LDF451T	8–75	1 in., Brass threaded end	1	1-1/4
LDF461T	8–75	1-1/2 in., Brass threaded end	1	1-1/2
LDF452B	15–100	1 in., Brass sweat end	1	1-1/4
LDF452T	15–100	1 in., Brass threaded end	1	1-1/4
LDF462T	15–100	1-1/2 in., Brass threaded end	1	1-1/2

See page 549 for replacement parts.

